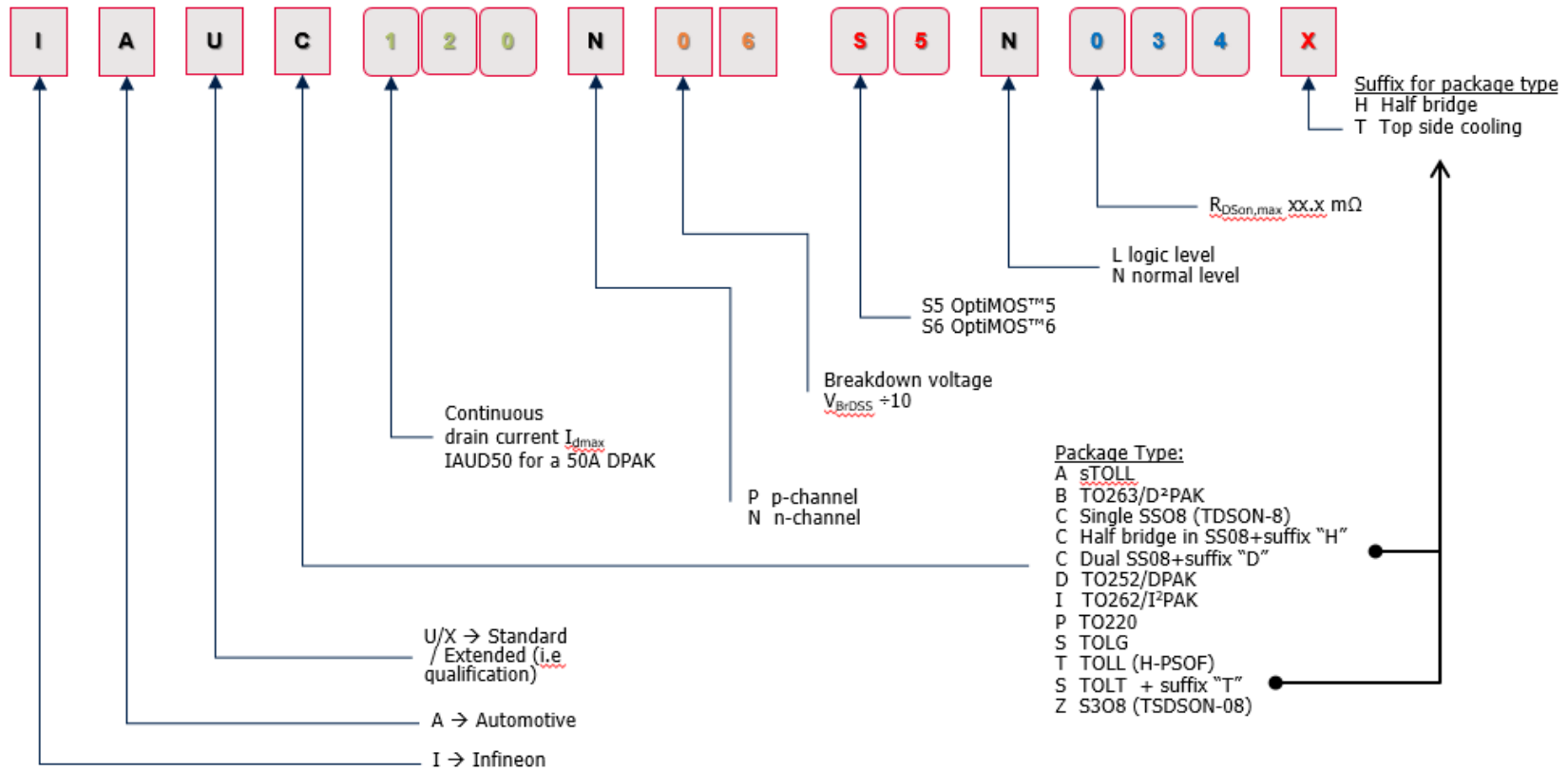




**Automotive MOSFET Selection Guide
Update July 2022**



Automotive MOSFET naming system





IFX Existing Automotive MOSFET Naming System

I **P** **G** **20** **N** **04** **S4** **L** **-** **07** **A**

I → Infineon

Device:

P for Power-MOSFET
T for Twin Power-MOSFET
(Common Drain)

Package Type:

B for TO263/D²PAK
C for SuperSO8 (TDSO8-08)
D for TO252/DPAK
I for TO262/I²PAK
LU for TO-Leadless (H-PSOF, MO-299)
P for TO220
G for Dual SuperSO8 (TDSO8-08)
Z for Shrink SuperSO8 (TSDSO8-08)

AOI-ready
only valid for TDSO8 dual
R_{DSon,max} in mΩ
"H" in front
for higher ohmic version
i.e. H5=5.5mΩ
"R" as decimal separator
i.e. 1R3=1.3mΩ

L for logic level

S for SFET1
S2 for OptiMOS™
S3 for OptiMOS™-T
S4 for OptiMOS™-T2
S5 for OptiMOS™-5
P3 for PFET3 Trench
P4 for PFET4 Trench

Breakdown voltage $V_{BRDSS} \div 10$

P for p-channel
N for n-channel

Continuous drain current I_{Dmax}

N Channel Trench 24V to 30V

24V (Trench)

Product Type	Technology	RDS(on) [mΩ] @ 10V	ID [A]	RthJC (max) [K/W]	VGS(th) (min-max) [V]	QG(typ) [nC]	Normal/ Logic level	Package
AUIRF1324WL	Gen 10.2	1,30	240	0,50	2.0 ... 4.0	120	Normal	TO-262-WideLead
AUIRF1324S	Gen 10.2	1,65	195	0,50	2.0 ... 4.0	160	Normal	TO-263-3

30V (Trench)

Product Type	Technology	RDS(on) [mΩ] @ 10V	ID [A]	RthJC (max) [K/W]	VGS(th) (min-max) [V]	QG(typ) [nC]	Normal/ Logic level	Package
IPB240N03S4L-R8	OptiMOS™ T2	0,76	240	0,50	1.0 ... 2.2	290	Logic	TO-263-7
IPB240N03S4L-R9	OptiMOS™ T2	0,92	240	0,70	1.0 ... 2.2	230	Logic	TO-263-7
IPB180N03S4L-H0	OptiMOS™ T2	0,95	180	0,60	1.0 ... 2.2	230	Logic	TO-263-7
IPB180N03S4L-01	OptiMOS™ T2	1,05	180	0,80	1.0 ... 2.2	187	Logic	TO-263-7
IPD90N03S4L-02	OptiMOS™ T2	2,20	90	1,10	1.0 ... 2.2	110	Logic	TO-252-3
AUIRF2903ZS	Gen 10.2	2,40	160	0,65	2.0 ... 4.0	160	Normal	TO-263-3
IPB80N03S4L-02	OptiMOS™ T2	2,40	80	1,10	1.0 ... 2.2	110	Logic	TO-263-3
IPP80N03S4L-03	OptiMOS™ T2	2,70	80	1,10	1.0 ... 2.2	110	Logic	TO-220-3
IPB120N03S4L-03	OptiMOS™ T2	3,00	120	1,90	1.0 ... 2.2	55	Logic	TO-263-3
IPD90N03S4L-03	OptiMOS™ T2	3,30	90	1,60	1.0 ... 2.2	60	Logic	TO-252-3
IPB80N03S4L-03	OptiMOS™ T2	3,40	80	1,60	1.0 ... 2.2	60	Logic	TO-263-3
IPD70N03S4L-04	OptiMOS™ T2	4,30	70	2,20	1.0 ... 2.2	37	Logic	TO-252-3
IPD50N03S4L-06	OptiMOS™ T2	5,50	50	2,70	1.0 ... 2.2	24	Logic	TO-252-3
IPD40N03S4L-08	OptiMOS™ T2	8,00	40	3,60	1.0 ... 2.2	15	Logic	TO-252-3
IPD30N03S4L-09	OptiMOS™ T2	9,00	30	3,60	1.0 ... 2.2	15	Logic	TO-252-3
IPD30N03S4L-14	OptiMOS™ T2	13,60	30	4,90	1.0 ... 2.2	11	Logic	TO-252-3
IPB22N03S4L-15	OptiMOS™ T2	14,60	22	4,90	1.0 ... 2.2	11	Logic	TO-263-3

N Channel Trench 40V

40V (Trench)

	Product Type	Technology	RDS(on) [mΩ] @ 10V	ID [A]	RthJC (max) [K/W]	VGS(th) (min-max) [V]	QG(typ) [nC]	Normal/ Logic level	Package	
	AUIRF8739L2	Gen 12.7	0,60	375	0,44(j-can), 0,5(j-PCB)	2.2 ... 3.9	375	Normal	DirectFET2-Large	1
new	IAUA250N04S6N005	OptiMOS™ 6	0,55	250	0,60	2.2 ... 3.0	130	Normal	HSOF-5	2
new	IAUA250N04S6N007E	OptiMOS™ 6	0,70	250	0,78	2.2 ... 3.0	94	Normal	HSOF-5	3
	AUIRFS8409-7	Gen 12.7	0,69	370	0,40	2.2 ... 3.9	305	Normal	TO-263-7	4
	AUIRFS8408-7	Gen 12.7	0,70	240	0,51	2.2 ... 3.9	210	Normal	TO-263-7	5
new	IAUA250N04S6N008	OptiMOS™ 6	0,80	250	0,87	2.2 ... 3.0	81	Normal	HSOF-5	6
	AUIRFS8409-7	Gen 12.7	0,75	240	0,40	1.0 ... 2.4	177,0	Normal	TO-263-7	7
	AUIRFS8409-7	Gen 12.7	0,75	240	0,40	2.2 ... 3.9	305,0	Normal	TO-263-7	8
	IPLU300N04S4-R8	OptiMOS™ T2	0,77	300	0,35	2.0 ... 4.0	221	Normal	HSOF-8	9
	IAUC60N04S6L030H	OptiMOS™ 6	2 x 3,00	60	2,00	1.2 ... 2.0	27	Logic	HB TDSO-8	10
new	IAUC60N04S6N031H	OptiMOS™ 6	2 x 3,10	60	2,00	2.2 ... 3.0	24	Normal	HB TDSO-8	11
new	IAUC60N04S6L045H	OptiMOS™ 6	2 x 4,50	60	2,90	1.2 ... 2.0	15	Logic	HB TDSO-8	12
new	IAUC60N04S6N050H	OptiMOS™ 6	2 x 5,00	60	2,90	2.2 ... 3.0	12,5	Normal	HB TDSO-8	13
new	IAUC45N04S6L063H	OptiMOS™ 6	2 x 6,30	45	3,70	1.2 ... 2.0	10	Logic	HB TDSO-8	14
new	IAUC45N04S6N070H	OptiMOS™ 6	2 x 7,00	45	3,70	2.2 ... 3.0	8,9	Normal	HB TDSO-8	15
new	IAUC120N04S6L005	OptiMOS™ 6	0,55	120	0,80	1.2 ... 2.0	136,0	Logic	TDSO-8	16
new	IAUC120N04S6N006	OptiMOS™ 6	0,60	120	0,80	2.2 ... 3.4	116,0	Normal	TDSO-8	17
new	IAUC120N04S6N008	OptiMOS™ 6	0,80	120	1,00	2.2 ... 3.0	83,0	Normal	TDSO-8	18
new	IAUC120N04S6L008	OptiMOS™ 6	0,80	120	1,00	1.2 ... 2.0	88,0	Logic	TDSO-8	19
new	IPB240N04S4-R9	OptiMOS™ T2	0,87	240	0,50	2.0 ... 4.0	220	Normal	TO-263-7	20
	IAUC120N04S6N009	OptiMOS™ 6	0,90	120	1,00	2.2 ... 3.4	76,0	Normal	TDSO-8	21
	IAUC120N04S6L009	OptiMOS™ 6	0,90	120	1,00	1.2 ... 2.0	97,0	Logic	TDSO-8	22
	IPB180N04S4-00	OptiMOS™ T2	0,98	180	0,50	2.0 ... 4.0	220	Normal	TO-263-7	23
	IPB240N04S4-1R0	OptiMOS™ T2	1,00	240	0,65	2.0 ... 4.0	170	Normal	TO-263-7	24
	IPB180N04S4L-H0	OptiMOS™ T2	1,00	180	0,60	1.2 ... 2.2	239	Logic	TO-263-7	25
	AUIRF7739L2	Gen 10.7	1,00	270	1,2(j-can), 0,5(j-PCB)	2.0 ... 4.0	220	Normal	DirectFET2-Large	26
	IAUA200N04S5N010	OptiMOS™ 5	1,00	200	0,90	2.2 ... 3.4	99,0	Normal	HSOF-5	27
	IAUC120N04S6N010	OptiMOS™ 6	1,00	120	1,00	2.2 ... 3.0	81,0	Normal	TDSO-8	28
	IPB180N04S4-H0	OptiMOS™ T2	1,10	180	0,60	2.0 ... 4.0	173	Normal	TO-263-7	29
	IPC100N04S5L-1R1	OptiMOS™ 5	1,10	100	1,00	1.2 ... 2.0	105	Logic	TDSO-8	30
	IPLU300N04S4-1R1	OptiMOS™ T2	1,15	300	0,50	2.0 ... 4.0	116	Normal	HSOF-8	31
	IPB180N04S4L-01	OptiMOS™ T2	1,20	180	0,80	1.2 ... 2.2	188	Logic	TO-263-7	32
	AUIRFS8409	Gen 12.7	1,20	195	0,40	2.2 ... 3.9	300	Normal	TO-263-3	33
	IPC100N04S5-1R2	OptiMOS™ 5	1,20	100	1,00	2.2 ... 3.4	99	Normal	TDSO-8	34
	IAUA180N04S5N012	OptiMOS™ 5	1,20	180	1,00	2.2 ... 3.4	75,0	Normal	HSOF-5	35
	IAUC120N04S6L012	OptiMOS™ 6	1,20	120	1,30	1.2 ... 2.0	60,0	Logic	TDSO-8	36
	AUIRFS3004-7	Gen 10.7	1,25	400	0,40	2.0 ... 4.0	160	Normal	TO-263-7	37
	IPB180N04S4-01	OptiMOS™ T2	1,30	180	0,80	2.0 ... 4.0	135	Normal	TO-263-7	38
	AUIRFS8407-7	Gen 12.7	1,30	306	0,65	2.2 ... 3.9	150	Normal	TO-263-7	39
	AUIRFB8409	Gen 12.7	1,30	195	0,40	2.2 ... 3.9	300	Normal	TO-220-3	40

Product Type	Technology	RDS(on) [mΩ] @ 10V	ID [A]	RthJC (max) [K/W]	VGS(th) (min-max) [V]	QG(typ) [nC]	Normal/ Logic level	Package	
IAUC120N04S6N013	OptiMOS™ 6	1,30	120	1,30	2.2 ... 3.0	51,0	Normal	TDSON-8	41
AUIRLS3034-7	Gen 10.7	1,40	240	0,40	1.0 ... 2.5	120,0	Normal	TO-263-7	42
AUIRF3004WL	Gen 10.7	1,40	240	0,40	2.0 ... 4.0	140	Normal	TO-262-WideLead	43
IAUA120N04S5N014	OptiMOS™ 5	1,40	120	1,10	2.2 ... 3.4	62,0	Normal	HSOF-5	44
IAUC100N04S6L014	OptiMOS™ 6	1,40	100	1,50	1.2 ... 2.0	49,0	Logic	TDSON-8	45
IPB160N04S4L-H1	OptiMOS™ T2	1,50	160	0,90	1.2 ... 2.2	146	Logic	TO-263-7	46
IPI120N04S4-01	OptiMOS™ T2	1,50	120	0,80	2.0 ... 4.0	135	Normal	TO-262-3	47
IPB120N04S4-01	OptiMOS™ T2	1,50	120	0,80	2.0 ... 4.0	135	Normal	TO-263-3	48
IPC100N04S5L-1R5	OptiMOS™ 5	1,50	100	1,30	1.2 ... 2.0	70	Logic	TDSON-8	49
IAUS180N04S4N015	OptiMOS™ T2	1,50	180	0,90	2.0 ... 4.0	103,0	Normal	HSOG-8	50
IAUC100N04S6N015	OptiMOS™ 6	1,50	100	1,50	2.2 ... 3.0	42,0	Normal	TDSON-8	51
IPB160N04S4-H1	OptiMOS™ T2	1,60	160	0,90	2.0 ... 4.0	105	Normal	TO-263-7	52
AUIRF7738L2	Gen 10.7	1,60	184	1,6(j-can), 0,5(j-PCB)	2.0 ... 4.0	129	Normal	DirectFET2-Large	53
IPLU250N04S4-1R7	OptiMOS™ T2	1,70	250	0,80	2.0 ... 4.0	76	Normal	HSOF-8	54
IPB120N04S4L-02	OptiMOS™ T2	1,70	120	0,95	1.2 ... 2.2	143	Logic	TO-263-3	55
IPC100N04S5-1R7	OptiMOS™ 5	1,70	100	1,30	2.2 ... 3.4	62	Normal	TDSON-8	56
AUIRFS3004	Gen 10.7	1,75	240	0,40	2.0 ... 4.0	160	Normal	TO-263-3	57
IPB120N04S4-02	OptiMOS™ T2	1,80	120	0,95	2.0 ... 4.0	103	Normal	TO-263-3	58
AUIRFS8407	Gen 12.7	1,80	195	0,65	2.2 ... 3.9	150	Normal	TO-263-3	59
AUIRFSL8407	Gen 12.7	1,80	195	0,65	2.2 ... 3.9	150	Normal	TO-262-3	60
IPP120N04S4-02	OptiMOS™ T2	1,80	120	0,95	2.0 ... 4.0	103,0	Normal	TO-220-3	61
AUIRF7737L2	Gen 10.7	1,90	156	1,8(j-can), 0,5(j-PCB)	2.0 ... 4.0	89	Normal	DirectFET2-Large	62
AUIRF8736M2	Gen 12.7	1,90	137	2,4(j-can), 1,0(j-PCB)	2.2 ... 3.9	136	Normal	DirectFET2-Medium	63
IPD100N04S4L-02	OptiMOS™ T2	1,90	100	1,00	1.2 ... 2.2	126	Logic	TO-252-3	64
IPC100N04S5L-1R9	OptiMOS™ 5	1,90	100	1,50	1.2 ... 2.0	61	Logic	TDSON-8	65
IPC100N04S5-1R9	OptiMOS™ 5	1,90	100	1,50	2.2 ... 3.4	50	Normal	TDSON-8	66
AUIRFR8405	Gen 12.7	1,98	100	0,92	2.2 ... 3.9	103	Normal	TO-252-3	67
IPD100N04S4-02	OptiMOS™ T2	2,00	100	1,00	2.0 ... 4.0	91	Normal	TO-252-3	68
AUIRFB8407	Gen 12.7	2,00	195	0,65	2.2 ... 3.9	150	Normal	TO-220-3	69
IAUC100N04S6L020	OptiMOS™ 6	2,00	100	2,00	1.2 ... 2.0	34,0	Logic	TDSON-8	70
IPB90N04S4-02	OptiMOS™ T2	2,10	90	1,00	2.0 ... 4.0	91	Normal	TO-263-3	71
IPI120N04S4-02	OptiMOS™ T2	2,10	120	0,95	2.0 ... 4.0	103	Normal	TO-262-3	72
IAUC100N04S6N022	OptiMOS™ 6	2,20	100	2,00	2.2 ... 3.0	29,0	Normal	TDSON-8	73
AUIRF2804	Gen 10.2	1,50	195	0,50	2.0 ... 4.0	160,0	Normal	TO-220-3	74
AUIRF2804S	Gen 10.2	1,50	195	0,50	2.0 ... 4.0	160,0	Normal	TO-263-3	75
AUIRF2804L	Gen 10.2	1,50	195	0,50	2.0 ... 4.0	160,0	Normal	TO-262-3	76
AUIRF2804S-7P	Gen 10.2	1,60	240	0,50	2.0 ... 4.0	179,0	Normal	TO-263-7	77
AUIRF2804WL	Gen 10.2	1,80	240	0,50	2.0 ... 4.0	150,0	Normal	TO-262-WideLead	78
AUIRFS8405	Gen 12.7	2,30	120	0,92	2.2 ... 3.9	107	Normal	TO-263-3	79
IPD90N04S4-02	OptiMOS™ T2	2,40	90	1,00	2.0 ... 4.0	91	Normal	TO-252-3	80
IPB100N04S4-H2	OptiMOS™ T2	2,40	100	1,30	2.0 ... 4.0	70	Normal	TO-263-3	81
IPI90N04S4-02	OptiMOS™ T2	2,50	90	1,00	2.0 ... 4.0	91	Normal	TO-262-3	82
AUIRFB8405	Gen 12.7	2,50	120	0,92	2.2 ... 3.9	107	Normal	TO-220-3	83
IAUC100N04S6L025	OptiMOS™ 6	2,50	100	2,40	1.2 ... 2.0	25,0	Logic	TDSON-8	84

Product Type	Technology	RDS(on) [mΩ] @ 10V	ID [A]	RthJC (max) [K/W]	VGS(th) (min-max) [V]	QG(typ) [nC]	Normal/ Logic level	Package	
IPC100N04S5L-2R6	OptiMOS™ 5	2,60	100	2,00	1.2 ... 2.0	41	Logic	TDSON-8	85
IPC100N04S5-2R8	OptiMOS™ 5	2,80	100	2,00	2.2 ... 3.4	34	Normal	TDSON-8	86
IPZ40N04S5L-2R8	OptiMOS™ 5	2,80	40	2,10	1.2 ... 2.0	39	Logic	TSDSON-8	87
IAUC100N04S6N028	OptiMOS™ 6	2,80	100	2,40	2.2 ... 3.0	22,0	Normal	TDSON-8	88
AUIRF7736M2	Gen 10.7	3,00	108	2,4(j-can), 1,0(j-PCB)	2.0 ... 4.0	72	Normal	DirectFET2-Medium	89
AUIRL7736M2	Gen 10.7	3,00	112	2,4(j-can), 1,0(j-PCB)	1.0 ... 2.5	52	Logic	DirectFET2-Medium	90
IPZ40N04S5-3R1	OptiMOS™ 5	3,10	40	2,10	2.2 ... 3.4	31	Normal	TSDSON-8	91
AUIRFR8403	Gen 12.7	3,10	100	1,52	2.2 ... 3.9	66	Normal	TO-252-3	92
AUIRFU8403	Gen 12.7	3,10	100	1,52	2.2 ... 3.9	66	Normal	TO-251-3	93
AUIRL1404ZS	Gen 10.2	3,10	160	0,75	1.4 ... 2.7	75	Logic	TO-263-3	94
AUIRF1404Z	Gen 10.2	3,10	160	0,75	2.0 ... 4.0	100	Normal	TO-220-3	95
AUIRF1404ZS	Gen 10.2	3,10	160	0,75	2.0 ... 4.0	100	Normal	TO-263-3	96
IPD90N04S4-03	OptiMOS™ T2	3,20	90	1,60	2.0 ... 4.0	51	Normal	TO-252-3	97
IAUC80N04S6L032	OptiMOS™ 6	3,20	80	3,00	1.2 ... 2.0	19,0	Logic	TDSON-8	98
IPC90N04S5L-3R3	OptiMOS™ 5	3,30	90	2,40	1.2 ... 2.0	30	Logic	TDSON-8	99
IPB80N04S4-03	OptiMOS™ T2	3,30	80	1,60	2.0 ... 4.0	51	Normal	TO-263-3	100
AUIRFL8403	Gen 12.7	3,30	100	1,52	2.2 ... 3.9	62	Normal	TO-262-3	101
IPC90N04S5-3R6	OptiMOS™ 5	3,60	90	2,40	2.2 ... 3.4	24,5	Normal	TDSON-8	102
IPB120N04S4-04	OptiMOS™ T2	3,60	120	1,90	2.0 ... 4.0	42	Normal	TO-263-3	103
IAUC80N04S6N036	OptiMOS™ 6	3,60	80	3,00	2.2 ... 3.0	17,0	Normal	TDSON-8	104
IPI80N04S4-03	OptiMOS™ T2	3,70	80	1,60	2.0 ... 4.0	51	Normal	TO-262-3	105
IPP80N04S4-03	OptiMOS™ T2	3,70	80	1,60	2.0 ... 4.0	51	Normal	TO-220-3	106
IPD90N04S4L-04	OptiMOS™ T2	3,80	90	2,10	1.2 ... 2.0	46	Logic	TO-252-3	107
IAUC60N04S6L039	OptiMOS™ 6	3,90	60	3,60	1.2 ... 2.0	15,0	Logic	TDSON-8	108
IPB80N04S4L-04	OptiMOS™ T2	4,00	80	2,10	1.2 ... 2.0	46	Logic	TO-263-3	109
IPD90N04S4-04	OptiMOS™ T2	4,10	90	2,10	2.0 ... 4.0	33	Normal	TO-252-3	110
IPC70N04S5L-4R2	OptiMOS™ 5	4,20	70	3,00	1.2 ... 2.0	22	Logic	TDSON-8	111
IPB80N04S4-04	OptiMOS™ T2	4,20	80	2,10	2.0 ... 4.0	33	Normal	TO-263-3	112
AUIRFR8401	Gen 12.7	4,25	100	1,90	2.2 ... 3.9	42	Normal	TO-252-3	113
AUIRFU8401	Gen 12.7	4,25	100	1,90	2.2 ... 3.9	42	Normal	TO-251-3	114
IPP80N04S4L-04	OptiMOS™ T2	4,30	80	2,10	1.2 ... 2.0	46	Logic	TO-220-3	115
IAUC60N04S6N044	OptiMOS™ 6	4,40	60	3,60	2.2 ... 3.0	13,0	Normal	TDSON-8	116
IPC70N04S5-4R6	OptiMOS™ 5	4,60	70	3,00	2.2 ... 3.4	18,2	Normal	TDSON-8	117
IPI80N04S4-04	OptiMOS™ T2	4,60	80	2,10	2.0 ... 4.0	33	Normal	TO-262-3	118
IPP80N04S4-04	OptiMOS™ T2	4,60	80	2,10	2.0 ... 4.0	33	Normal	TO-220-3	119
IPZ40N04S5L-3R6	OptiMOS™ 5	3,60	40	2,60	1.2 ... 2.0	25	Logic	TSDSON-8	120
IPZ40N04S5-3R9	OptiMOS™ 5	3,90	40	2,60	2.2 ... 3.4	19	Normal	TSDSON-8	121
IPZ40N04S5L-4R8	OptiMOS™ 5	4,80	40	3,50	1.2 ... 2.0	22	Logic	TSDSON-8	122
AUIRLU3114Z	Gen 10.7	4,90	130	1,05	1.0 ... 2.5	40	Normal	TO-251-3	123
AUIRF7734M2	Gen 10.7	4,90	72	3,3(j-can), 1,0(j-PCB)	2.0 ... 4.0	48	Normal	DirectFET2-Medium	124
IPD90N04S4-05	OptiMOS™ T2	5,20	90	2,30	2.0 ... 4.0	33	Normal	TO-252-3	125
IPZ40N04S5-5R4	OptiMOS™ 5	5,40	40	3,50	2.2 ... 3.4	17	Normal	TSDSON-8	126
IPC50N04S5L-5R5	OptiMOS™ 5	5,50	50	3,60	1.2 ... 2.0	17	Logic	TDSON-8	127
IPC50N04S5-5R8	OptiMOS™ 5	5,80	50	3,60	2.2 ... 3.4	13	Normal	TDSON-8	128

new
new

Product Type	Technology	RDS(on) [mΩ] @ 10V	ID [A]	RthJC (max) [K/W]	VGS(th) (min-max) [V]	QG(typ) [nC]	Normal/ Logic level	Package	
IPD75N04S4-06	OptiMOS™ T2	5,90	75	2,60	2.0 ... 4.0	24,5	Normal	TO-252-3	129
IPB70N04S4-06	OptiMOS™ T2	6,20	70	2,60	2.0 ... 4.0	24,5	Normal	TO-263-3	130
IP170N04S4-06	OptiMOS™ T2	6,50	70	2,60	2.0 ... 4.0	24,5	Normal	TO-262-3	131
IPP70N04S4-06	OptiMOS™ T2	6,50	70	2,60	2.0 ... 4.0	24,5	Normal	TO-220-3	132
AUIRL7732S2	Gen 10.7	6,60	58	3,7(j-can), 1,0(j-PCB)	1.0 ... 2.5	24	Logic	DirectFET2-Small	133
AUIRF7732S2	Gen 10.7	6,95	55	3,7(j-can), 1,0(j-PCB)	2.0 ... 4.0	30	Normal	DirectFET2-Small	134
IPD50N04S4L-08	OptiMOS™ T2	7,30	50	3,30	1.2 ... 2.0	23	Logic	TO-252-3	135
IPZ40N04S5L-7R4	OptiMOS™ 5	7,40	40	4,40	1.2 ... 2.0	13	Logic	TSDSON-8	136
IPD50N04S4-08	OptiMOS™ T2	7,90	50	3,30	2.0 ... 4.0	17,2	Normal	TO-252-3	137
IPZ40N04S5-8R4	OptiMOS™ 5	8,40	40	4,40	2.2 ... 3.4	10,3	Normal	TSDSON-8	138
IPD50N04S4-10	OptiMOS™ T2	9,30	50	3,70	2.0 ... 4.0	14	Normal	TO-252-3	139
AUIRFN8458	Gen 12.7	10,00	43	4,40	2.2 ... 3.9	22,0	Normal	dual PQFN	140
AUIRFN8459	Gen 12.7	2 x 5,90	50	3,00	2.2 ... 3.9	40	Normal	dual PQFN	141
IPG20N04S4L-07	OptiMOS™ T2	2 x 7,20	20	2,30	1.2 ... 2.2	39,0	Logic	dual TDSO-8	142
IPG20N04S4L-07A	OptiMOS™ T2	2 x 7,20	20	2,30	1.2 ... 2.2	39,0	Logic	dual TDSO-8	143
ITD50N04S4L-07	OptiMOS™ T2	2 x 7,20	50	3,20	1.2 ... 2.2	25,0	Logic	dual TO252-5	144
IPG20N04S4-08A	OptiMOS™ T2	2 x 7,50	20	2,30	2.0 ... 4.0	28,0	Normal	dual TDSO-8	145
IPG20N04S4-08	OptiMOS™ T2	2 x 7,60	20	2,30	2.0 ... 4.0	28,0	Normal	dual TDSO-8	146
IPG20N04S4L-08A	OptiMOS™ T2	2 x 8,10	20	2,80	1.2 ... 2.2	30,0	Logic	dual TDSO-8	147
IPG20N04S4L-08	OptiMOS™ T2	2 x 8,20	20	2,80	1.2 ... 2.2	30,0	Logic	dual TDSO-8	148
IPG20N04S4-09	OptiMOS™ T2	2 x 8,60	20	2,80	2.0 ... 4.0	21,7	Normal	dual TDSO-8	149
IPG20N04S4L-11	OptiMOS™ T2	2 x 11,60	20	3,70	1.2 ... 2.2	20,0	Logic	dual TDSO-8	150
IPG20N04S4L-11A	OptiMOS™ T2	2 x 11,60	20	3,70	1.2 ... 2.2	20,0	Logic	dual TDSO-8	151
IPG20N04S4-12	OptiMOS™ T2	2 x 12,20	20	3,70	2.0 ... 4.0	14,0	Normal	dual TDSO-8	152
IPG20N04S4-12A	OptiMOS™ T2	2 x 12,20	20	3,70	2.0 ... 4.0	14,0	Normal	dual TDSO-8	153
IPG20N04S4-18A	OptiMOS™ T2	2 x 18,40	20	5,60	2.0 ... 4.0	8,7	Normal	dual TDSO-8	154
IPG20N04S4L-18A	OptiMOS™ T2	2 x 18,00	20	5,60	1.2 ... 2.0	10,5	Logic	dual TDSO-8	155

N Channel Trench 55V to 60V

55V (Trench)

Product Type	Technology	RDS(on) [mΩ] @ 10V	ID [A]	RthJC (max) [K/W]	VGS(th) (min-max) [V]	QG(typ) [nC]	Normal/ Logic level	Package
AUIRF3805S-7	Gen 10.2	2,60	160	0,50	2.0 ... 4.0	130	Normal	TO-263-7
AUIRF1405ZS	Gen 10.2	4,90	150	0,65	2.0 ... 4.0	120	Normal	TO-263-3
AUIRF1405ZS-7	Gen 10.2	4,90	120	0,65	2.0 ... 4.0	150	Normal	TO-263-7
AUIRF3205Z	Gen 10.2	6,50	75	0,90	2.0 ... 4.0	76	Normal	TO-220-3
AUIRF3205ZS	Gen 10.2	6,50	75	0,90	2.0 ... 4.0	76	Normal	TO-263-3
AUIRFR48Z	Gen 10.2	11,00	42	1,64	2.0 ... 4.0	40	Normal	TO-252-3
AUIRFR2905Z	Gen 10.2	14,50	42	1,38	2.0 ... 4.0	29	Normal	TO-252-3
AUIRFR4105Z	Gen 10.2	24,50	30	3,12	2.0 ... 4.0	18	Normal	TO-252-3
BSO604NS2	OptiMOS™	2 x 35	5	NA	1.2 ... 2.0	20	Normal	SO-8
AUIRLL024Z	Gen 10.2	60,00	5	NA	2.0 ... 4.0	7	Normal	SOT-223

1
2
3
4
5
6
7
8
9
10

60V (Trench)

Product Type	Technology	RDS(on) [mΩ] @ 10V	ID [A]	RthJC (max) [K/W]	VGS(th) (min-max) [V]	QG(typ) [nC]	Normal/ Logic level	Package
AUIRF7749L2	Gen 10.7	1,50	345	0,44(j-can), 0,5(j-PCB)	2.0 ... 4.0	183	Normal	DirectFET2-Large
IAUC120N06S5N017	OptiMOS™ 5	1,70	120	0,90	2.2 ... 3.4	74	Normal	TDSON-8
IPB180N06S4-H1	OptiMOS™ T2	1,70	180	0,60	2.0 ... 4.0	208	Normal	TO-263-7
AUIRSL3036-7	Gen 10.7	1,90	210	0,40	1.0 ... 2.5	110	Normal	TO-263-7
IPB120N06S4-H1	OptiMOS™ T2	2,00	120	0,60	2.0 ... 4.0	208	Normal	TO-263-3
IPB120N06S4-02	OptiMOS™ T2	2,40	120	0,80	2.0 ... 4.0	150	Normal	TO-263-3
AUIRSL3036	Gen 10.7	2,40	195	0,40	1.0 ... 2.5	91	Logic	TO-263-3
IPB120N06S4-03	OptiMOS™ T2	2,80	120	0,90	2.0 ... 4.0	125	Normal	TO-263-3
IPI120N06S4-02	OptiMOS™ T2	2,80	120	0,80	2.0 ... 4.0	150	Normal	TO-262-3
IAUC120N06S5L032	OptiMOS™ 5	3,20	120	1,60	1.2 ... 2.2	40	Logic	TDSON-8
IPB90N06S4L-04	OptiMOS™ T2	3,40	90	1,00	1.2 ... 2.2	133	Logic	TO-263-3
IPI90N06S4L-04	OptiMOS™ T2	3,40	90	1,00	1.2 ... 2.2	133	Logic	TO-262-3
IPD100N06S4-03	OptiMOS™ T2	3,50	100	1,00	2.0 ... 4.0	99	Normal	TO-252-3
IPD90N06S4L-03	OptiMOS™ T2	3,50	90	1,00	1.2 ... 2.2	133	Logic	TO-252-3
IPB90N06S4-04	OptiMOS™ T2	3,70	90	1,00	2.0 ... 4.0	99	Normal	TO-263-3
IPD90N06S4-04	OptiMOS™ T2	3,80	90	1,00	2.0 ... 4.0	99	Normal	TO-252-3
AUIRFS3306	Gen 10.7	4,20	120	0,65	2.0 ... 4.0	85	Normal	TO-263-3
IPD90N06S4L-05	OptiMOS™ T2	4,60	90	1,40	1.2 ... 2.2	83	Logic	TO-252-3
IPB80N06S4L-05	OptiMOS™ T2	4,80	80	1,40	1.2 ... 2.2	83	Logic	TO-263-3
IAUZ40N06S5N050	OptiMOS™ 5	5,00	40	2,10	2.2 ... 3.4	23,5	Normal	TSDSON-8
IAUZ40N06S5L050	OptiMOS™ 5	5,00	40	2,10	1.2 ... 2.2	28	Logic	TSDSON-8
IPD90N06S4-05	OptiMOS™ T2	5,10	90	1,40	2.0 ... 4.0	62	Normal	TO-252-3
IPB80N06S4-05	OptiMOS™ T2	5,40	80	1,40	2.0 ... 4.0	62	Normal	TO-263-3

new

new
new

1
2
3
4
5
6
7
8
9
10
11
12
13
14
15
16
17
18
19
20
21
22
23

Product Type	Technology	RDS(on) [mΩ] @ 10V	ID [A]	RthJC (max) [K/W]	VGS(th) (min-max) [V]	QG(typ) [nC]	Normal/ Logic level	Package	
IPI80N06S4-05	OptiMOS™ T2	5,40	80	1,40	2.0 ... 4.0	62	Normal	TO-262-3	24
IPD90N06S4L-06	OptiMOS™ T2	6,30	90	1,90	1.2 ... 2.2	58	Logic	TO-252-3	25
IPB80N06S4L-07	OptiMOS™ T2	6,40	80	1,90	1.2 ... 2.2	58	Logic	TO-263-3	26
IPI80N06S4L-07	OptiMOS™ T2	6,40	80	1,90	1.2 ... 2.2	58	Logic	TO-262-3	27
IPD90N06S4-07	OptiMOS™ T2	6,90	90	1,90	2.0 ... 4.0	43	Normal	TO-252-3	28
AUIRF7648M2	Gen 10.7	7,00	68	2,4(j-can), 1,0(j-PCB)	3.0 ... 4.9	35	Normal	DirectFET2-Medium	29
IPB80N06S4-07	OptiMOS™ T2	7,10	80	1,90	2.0 ... 4.0	43	Normal	TO-263-3	30
IPP80N06S4-07	OptiMOS™ T2	7,10	80	1,90	2.0 ... 4.0	43,0	Normal	TO-220-3	31
IAUC60N06S5L073	OptiMOS™ 5	7,30	60	2,90	1.2 ... 2.2	17,4	Logic	TDSON-8	32
IAUC60N06S5N074	OptiMOS™ 5	7,40	60	2,90	2.2 ... 3.4	15,4	Normal	TDSON-8	33
IPI80N06S4-07	OptiMOS™ T2	7,40	80	1,90	2.0 ... 4.0	43	Normal	TO-262-3	34
IPD50N06S4L-08	OptiMOS™ T2	7,80	50	2,10	1.2 ... 2.2	49	Logic	TO-252-3	35
IPB45N06S4L-08	OptiMOS™ T2	7,90	45	2,10	1.2 ... 2.2	49	Logic	TO-263-3	36
IPD50N06S4-09	OptiMOS™ T2	9,00	50	2,10	2.0 ... 4.0	36	Normal	TO-252-3	37
IPI45N06S4-09	OptiMOS™ T2	9,40	45	2,10	2.0 ... 4.0	36	Normal	TO-262-3	38
IAUC41N06S5L100	OptiMOS™ 5	10,00	41	3,60	1.2 ... 2.2	12,7	Logic	TDSON-8	39
IAUC41N06S5N102	OptiMOS™ 5	10,20	41	3,60	2.2 ... 3.4	12,5	Normal	TDSON-8	40
IAUZ40N06S5N105	OptiMOS™ 5	10,50	40	3,60	2.2 ... 3.4	12,6	Normal	TDSON-8	41
IPD50N06S4L-12	OptiMOS™ T2	12,00	50	3,00	1.2 ... 2.2	30	Logic	TO-252-3	42
AUIRFZ44VZS	Gen 10.7	12,00	57	1,64	2.0 ... 4.0	43	Normal	TO-263-3	43
IAUZ30N06S5L140	OptiMOS™ 5	14,00	30	4,60	1.2 ... 2.3	9,4	Logic	TDSON-8	44
AUIRFR3806	Gen 10.7	15,80	43	2,12	2.0 ... 4.0	22	Normal	TO-252-3	45
IPD30N06S4L-23	OptiMOS™ T2	23,00	30	4,20	1.2 ... 2.2	16,1	Logic	TO-252-3	46
IPD25N06S4L-30	OptiMOS™ T2	30,00	25	5,10	1.2 ... 2.2	12,5	Logic	TO-252-3	47
AUIRF7640S2	Gen 10.7	36,00	21	5,0(j-can), 1,4(j-PCB)	3.0 ... 5.0	7,3	Normal	DirectFET2-Small	48
IPG20N06S4L-11	OptiMOS™ T2	2 x 11,20	20	2,30	1.2 ... 2.2	41	Logic	dual TDSON-8	49
IPG20N06S4L-11A	OptiMOS™ T2	2 x 11,20	20	2,30	1.2 ... 2.2	41	Logic	dual TDSON-8	50
IPG20N06S4L-14	OptiMOS™ T2	2 x 13,70	20	3,00	1.2 ... 2.2	30	Logic	dual TDSON-8	51
IPG20N06S4L-14A	OptiMOS™ T2	2 x 13,70	20	3,00	1.2 ... 2.2	30	Logic	dual TDSON-8	52
IPG20N06S4-15	OptiMOS™ T2	2 x 15,50	20	3,00	2.0 ... 4.0	22	Normal	dual TDSON-8	53
IPG20N06S4-15A	OptiMOS™ T2	2 x 15,50	20	3,00	2.0 ... 4.0	22	Normal	dual TDSON-8	54
IPG20N06S4L-26	OptiMOS™ T2	2 x 26,00	20	4,50	1.2 ... 2.2	15	Logic	dual TDSON-8	55
IPG20N06S4L-26A	OptiMOS™ T2	2 x 26,00	20	4,50	1.2 ... 2.2	15	Logic	dual TDSON-8	56

	Product Type	Technology	RDS(on) [mΩ] @ 10V	ID [A]	RthJC (max) [K/W]	VGS(th) (min-max) [V]	QG(typ) [nC]	Normal/ Logic level	Package	
new	IAUC50N08S5N102	OptiMOS™ 5	10,20	50	2,50	2.2 ... 3.8	16	Normal	TDSON-8	32
	IPD50N08S4-13	OptiMOS™ T2	13,20	50	2,10	2.0 ... 4.0	30	Normal	TO-252-3	33
new	IAUC40N08S5L140	OptiMOS™ 5	14,00	40	2,70	1.2 ... 2.0	14,3	Logic	TDSON-8	34
new	IAUZ30N08S5N186	OptiMOS™ 5	18,60	30	3,70	2.2 ... 3.8	9,3	Normal	TSDSON-8	35
new	IAUC28N08S5L230	OptiMOS™ 5	23,00	28	3,90	1.2 ... 2.0	11,6	Logic	TDSON-8	36
new	IAUZ20N08S5L300	OptiMOS™ 5	30,00	20	5,00	1.2 ... 2.0	8,1	Logic	TSDSON-8	37

100V (Trench)

	Product Type	Technology	RDS(on) [mΩ] @ 10V	ID [A]	RthJC (max) [K/W]	VGS(th) (min-max) [V]	QG(typ) [nC]	Normal/ Logic level	Package	
	IAUT300N10S5N014	OptiMOS™ 5	1,40	300	0,40	2.2 ... 3.8	166	Normal	HSOF-8	1
	IAUS300N10S5N014	OptiMOS™ 5	1,40	300	0,40	2.2 ... 3.8	166	Normal	HSOG-8	2
	IAUT300N10S5N015	OptiMOS™ 5	1,50	300	0,40	2.2 ... 3.8	166	Normal	HSOF-8	3
	IAUS300N10S5N015T	OptiMOS™ 5	1,50	300	0,40	2.2 ... 3.8	166	Normal	HDSOP-16	4
	IAUT260N10S5N019	OptiMOS™ 5	1,90	260	0,50	2.2 ... 3.8	128	Normal	HSOF-8	5
	IAUS260N10S5N019T	OptiMOS™ 5	1,90	260	0,50	2.2 ... 3.8	128	Normal	HDSOP-16	6
new	IAUA210N10S5N024	OptiMOS™ 5	2,40	210	0,63	2.2 ... 3.8	91	Normal	HSOF-5	7
	IPB180N10S4-02	OptiMOS™ T2	2,50	180	0,50	2.0 ... 3.5	156	Normal	TO-263-7	8
new	IAUA180N10S5N029	OptiMOS™ 5	2,90	180	0,68	2.2 ... 3.8	81	Normal	HSOF-5	9
new	IAUA170N10S5N031	OptiMOS™ 5	3,10	170	0,76	2.2 ... 3.8	67	Normal	HSOF-5	10
	IPB180N10S4-03	OptiMOS™ T2	3,30	180	0,60	2.0 ... 3.5	108	Normal	TO-263-7	11
	IAUT150N10S5N035	OptiMOS™ 5	3,50	150	0,90	2.2 ... 3.8	67	Normal	HSOF-8	12
	IPB120N10S4-03	OptiMOS™ T2	3,50	120	0,60	2.0 ... 3.5	108	Normal	TO-263-3	13
	AUIRF7769L2	Gen 10.7	3,50	124	1,2(j-can), 0,5(j-PCB)	2.0 ... 4.0	200	Normal	DirectFET2-Large	14
	AUIRLS4030-7	Gen 10.7	3,90	190	0,40	1.0 ... 2.5	93	Normal	TO-263-7	15
	IAUC100N10S5L040	OptiMOS™ 5	4,00	100	0,90	1.2 ... 2.0	60	Logic	TDSON-8	16
	IAUC100N10S5N040	OptiMOS™ 5	4,00	100	0,90	2.2 ... 3.8	60	Normal	TDSON-8	17
	AUIRLS4030	Gen 10.7	4,30	180	0,40	1.0 ... 2.5	87	Logic	TO-263-3	18
	AUIRF7669L2	Gen 10.7	4,40	114	1,2(j-can), 0,5(j-PCB)	3.0 ... 5.0	81	Normal	DirectFET2-Large	19
	AUIRFP4110	Gen 10.7	4,50	120	0,40	2.0 ... 4.0	150	Normal	TO-247-3	20
	IPB120N10S4-05	OptiMOS™ T2	5,00	120	0,80	2.0 ... 3.5	70	Normal	TO-263-3	21
	IPP120N10S4-05	OptiMOS™ T2	5,00	120	0,80	2.0 ... 3.5	70	Normal	TO-220-3	22
new	IAUC100N10S5L054	OptiMOS™ 5	5,40	100	1,15	1.2 ... 2.2	41,0	Logic	TDSON-8	23
	AUIRFS4310Z	Gen 10.7	6,00	120	0,60	2.0 ... 4.0	120	Normal	TO-263-3	24
new	IAUC90N10S5N062	OptiMOS™ 5	6,20	90	1,30	2.2 ... 3.8	36	Normal	TDSON-8	25
	IPD90N10S4L-06	OptiMOS™ T2	6,60	90	1,10	1.1 ... 2.1	75	Logic	TO-252-3	26
	IPD90N10S4-06	OptiMOS™ T2	6,70	90	1,10	2.0 ... 3.5	52	Normal	TO-252-3	27
	AUIRFS4310	Gen 10.2	7,00	75	0,50	2.0 ... 4.0	170	Normal	TO-263-3	28
new	IAUC60N10S5L110	OptiMOS™ 5	11,00	60	1,70	1.2 ... 2.2	18,5	Logic	TDSON-8	29
	IPD70N10S3-12	OptiMOS™ T	11,10	70	1,20	2.0 ... 4.0	51	Normal	TO-252-3	30
	IPB70N10S3-12	OptiMOS™ T	11,30	70	1,20	2.0 ... 4.0	51	Normal	TO-263-3	31

	Product Type	Technology	RDS(on) [mΩ] @ 10V	ID [A]	RthJC (max) [K/W]	VGS(th) (min-max) [V]	QG(typ) [nC]	Normal/ Logic level	Package	
	IPD70N10S3L-12	OptiMOS™ T	11,50	70	1,20	1.1 ... 2.1	60	Logic	TO-252-3	32
	IPB70N10S3L-12	OptiMOS™ T	11,80	70	1,20	1.2 ... 2.4	60	Logic	TO-263-3	33
new	IAUZ40N10S5L120	OptiMOS™ 5	12,00	30	2,40	1.2 ... 2.2	17,4	Logic	TSDSON-8	34
	IPD60N10S4L-12	OptiMOS™ T2	12,00	60	1,60	1.1 ... 2.1	38	Logic	TO-252-3	35
	IPP70N10S3L-12	OptiMOS™ T	12,10	70	1,20	1.2 ... 2.4	60	Logic	TO-220-3	36
	IPD60N10S4-12	OptiMOS™ T2	12,20	60	1,60	2.0 ... 3.5	26	Normal	TO-252-3	37
new	IAUZ40N10S5N130	OptiMOS™ 5	13,00	40	2,20	2.2 ... 3.8	17	Normal	TSDSON-8	38
	IPD50N10S3L-16	OptiMOS™ T	15,00	50	1,50	1.2 ... 2.4	49	Logic	TO-252-3	39
	IPB50N10S3L-16	OptiMOS™ T	15,40	70	1,50	1.2 ... 2.4	49	Logic	TO-263-3	40
	AUIRF3710ZS	Gen 10.2	18,00	59	0,92	2.0 ... 4.0	82	Normal	TO-263-3	41
	IPG20N10S4L-22A	OptiMOS™ T2	2 x 22,00	20	2,50	1.1 ... 2.1	21,0	Logic	dual TDSO-8	42
	IPG20N10S4L-22	OptiMOS™ T2	2 x 22,00	20	2,50	1.1 ... 2.1	21,0	Logic	dual TDSO-8	43
new	IAUZ30N10S5L240	OptiMOS™ 5	24,00	30	3,30	1.2 ... 2.2	9,5	Logic	TSDSON-8	44
	IPD35N10S3L-26	OptiMOS™ T	24,00	35	2,10	1.2 ... 2.4	39	Logic	TO-252-3	45
new	IAUC26N10S5L245	OptiMOS™ 5	24,50	26	3,70	1.2 ... 2.2	8,5	Logic	TDSO-8	46
	IPB35N10S3L-26	OptiMOS™ T	26,30	35	2,10	1.2 ... 2.4	30	Logic	TO-263-3	47
	AUIRF540ZS	Gen 10.2	26,50	36	1,64	2.0 ... 4.0	42	Normal	TO-263-3	48
	AUIRF540Z	Gen 10.2	26,50	36	1,64	2.0 ... 4.0	42	Normal	TO-252-3	49
	AUIRF540Z	Gen 10.2	26,50	36	1,64	2.0 ... 4.0	43	Normal	TO-220-3	50
new	IAUC24N10S5L300	OptiMOS™ 5	30,00	24	3,90	1.2 ... 2.2	7,6	Logic	TDSO-8	51
	IPD30N10S3L-34	OptiMOS™ T	31,00	30	2,60	1.2 ... 2.4	24	Logic	TO-252-3	52
	AUIRF7647S2	Gen 10.7	31,00	24	3,7(j-can), 1,4(j-PCB)	3.0 ... 5.0	14	Normal	DirectFET2-Small	53
	IPG20N10S4L-35A	OptiMOS™ T2	2 x 35,00	20	3,50	1.1 ... 2.1	13,4	Logic	dual TDSO-8	54
	IPG20N10S4L-35	OptiMOS™ T2	2 x 35,00	20	3,50	1.1 ... 2.1	13,4	Logic	dual TDSO-8	55
	IPG20N10S4-36A	OptiMOS™ T2	2 x 36,00	20	3,50	2.0 ... 3.5	9,4	Normal	dual TDSO-8	56
new	IAUZ18N10S5L420	OptiMOS™ 5	42,00	18	5,00	1.2 ... 2.2	5,4	Logic	TSDSON-8	57
	IPG16N10S4-61A	OptiMOS™ T2	2 x 61,00	16	5,20	2.0 ... 3.5	5,4	Normal	dual TDSO-8	58
	IPG16N10S4L-61A	OptiMOS™ T2	2 x 61,00	16	5,20	1.1 ... 2.1	8,5	Logic	dual TDSO-8	59
	IPG16N10S4-61	OptiMOS™ T2	2 x 61,00	16	5,20	2.0 ... 3.5	5,4	Normal	dual TDSO-8	60

N Channel Trench 120V to 300V

120V (Trench)

Product Type	Technology	RDS(on) [mΩ] @ 10V	ID [A]	RthJC (max) [K/W]	VGS(th) (min-max) [V]	QG(typ) [nC]	Normal/ Logic level	Package
IPB100N12S3-05	OptiMOS™ T	4,80	100	0,50	2.0 ... 4.0	139	Normal	TO-263-3
IPP100N12S3-05	OptiMOS™ T	5,10	100	0,50	2.0 ... 4.0	139	Normal	TO-220-3
IPD70N12S3-11	OptiMOS™ T	11,10	70	1,20	2.0 ... 4.0	51	Normal	TO-252-3
IPP70N12S3-11	OptiMOS™ T	11,30	70	1,20	2.0 ... 4.0	51	Normal	TO-220-3
IPD35N12S3L-24	OptiMOS™ T	24,00	35	2,10	1.2 ... 2.4	30	Logic	TO-252-3
IPD30N12S3L-31	OptiMOS™ T	31,00	30	2,60	1.2 ... 2.4	24	Logic	TO-252-3

1
2
3
4
5
6

150V (Trench)

Product Type	Technology	RDS(on) [mΩ] @ 10V	ID [A]	RthJC (max) [K/W]	VGS(th) (min-max) [V]	QG(typ) [nC]	Normal/ Logic level	Package
AUIRFP4568	Gen 10.7	5,90	171	0,29	3.0 ... 5.0	151	Normal	TO-247-3
AUIRFP4568-E	Gen 10.7	5,90	171	0,29	3.0 ... 5.0	151	Normal	TO-247-3
AUIRFS4115	Gen 10.7	12,10	99	0,40	3.0 ... 5.0	77	Normal	TO-263-3
AUIRFS4115-7	Gen 10.7	12,10	105	0,40	3.0 ... 5.0	73	Normal	TO-263-7
AUIRFR4615	Gen 10.7	42,00	33	1,05	3.0 ... 5.0	26	Normal	TO-252-3
AUIRF7675M2	Gen 10.7	56,00	18	3,3(j-can), 1,4(j-PCB)	3.0 ... 5.0	21	Normal	DirectFET2-Medium

1
2
3
4
5
6

200V (Trench)

Product Type	Technology	RDS(on) [mΩ] @ 10V	ID [A]	RthJC (max) [K/W]	VGS(th) (min-max) [V]	QG(typ) [nC]	Normal/ Logic level	Package
AUIRFS4127	Gen 10.7	22,00	72	0,40	3.0 ... 5.0	100	Normal	TO-263-3
AUIRFR4620	Gen 10.7	78,00	24	1,05	3.0 ... 5.0	25	Normal	TO-252-3

1
2

250V (Trench)

Product Type	Technology	RDS(on) [mΩ] @ 10V	ID [A]	RthJC (max) [K/W]	VGS(th) (min-max) [V]	QG(typ) [nC]	Normal/ Logic level	Package
IPB64N25S3-20	OptiMOS™ T	20	64	0,50	2.0 ... 4.0	67	Normal	TO-263-3
AUIRF7799L2	Gen 10.7	38	35	1,2(j-can), 0,5(j-PCB)	3.0 ... 5.0	110	Normal	DirectFET2-Large
IPB17N25S3-100	OptiMOS™ T	100	17	1,40	2.0 ... 4.0	14	Normal	TO-263-3
IPP17N25S3-100	OptiMOS™ T	100	17	1,40	2.0 ... 4.0	14	Normal	TO-220-3
AUIRFR4292	Gen 10.7	345	9,3	1,50	3.0 ... 5.0	13	Normal	TO-252-3
IPD5N25S3-430	OptiMOS™ T	430	5	3,70	2.0 ... 4.0	5	Normal	TO-252-3

1
2
3
4
5
6

300V (Trench)

Product Type	Technology	RDS(on) [mΩ] @ 10V	ID [A]	RthJC (max) [K/W]	VGS(th) (min-max) [V]	QG(typ) [nC]	Normal/ Logic level	Package
AUIRFP4409	Gen 10.7	69,00	38	0,44	3.0 ... 5.0	83	Normal	TO-247-3
AUIRFS6535	Gen 10.7	185,00	19	0,71	3.0 ... 5.0	38	Normal	TO-263-3

1
2

P Channel Trench 30V to 40V

30V (Trench)

Product Type	Technology	RDS(on) [mΩ] @ 10V	ID [A]	RthJC (max) [K/W]	VGS(th) (min-max) [V]	QG(typ) [nC]	Normal/ Logic level	Package
IPB80P03P4L-04	OptiMOS™-P2	4,10	-80	1,10	-2.0 ... -1.0	125	Logic	TO-263-3
IPP80P03P4L-04	OptiMOS™-P2	4,40	-80	1,10	-2.0 ... -1.0	125	Logic	TO-220-3
IPD90P03P4L-04	OptiMOS™-P2	4,50	-90	1,10	-2.0 ... -1.0	100	Logic	TO-252-3
IPD90P03P4-04	OptiMOS™-P2	4,50	-90	1,10	-4.0 ... -2.0	100	Normal	TO-252-3
IPB80P03P4-05	OptiMOS™-P2	4,70	-80	1,10	-4.0 ... -2.0	100	Normal	TO-263-3
IPD80P03P4L-07	OptiMOS™-P2	6,80	-80	1,70	-2.0 ... -1.0	80	Logic	TO-252-3
IPB80P03P4L-07	OptiMOS™-P2	6,90	-80	1,70	-2.0 ... -1.0	63	Logic	TO-263-3
IPD50P03P4L-11	OptiMOS™-P2	10,50	-50	2,60	-2.0 ... -1.0	42	Logic	TO-252-3
IPB45P03P4L-11	OptiMOS™-P2	10,80	-45	2,60	-2.0 ... -1.0	42	Logic	TO-263-3

1
2
3
4
5
6
7
8
9

40V (Trench)

Product Type	Technology	RDS(on) [mΩ] @ 10V	ID [A]	RthJC (max) [K/W]	VGS(th) (min-max) [V]	QG(typ) [nC]	Normal/ Logic level	Package
IPB180P04P4L-02	OptiMOS™-P2	2,40	-100	1,00	-2.2 ... -1.7	220	Logic	TO-263-7
IPB180P04P4-03	OptiMOS™-P2	2,80	-100	1,00	-4.0 ... -2.0	190	Normal	TO-263-7
IPB120P04P4L-03	OptiMOS™-P2	3,00	-120	1,10	-2.2 ... -1.7	180	Logic	TO-263-3
IPP120P04P4L-03	OptiMOS™-P2	3,40	-120	1,10	-2.2 ... -1.7	180	Logic	TO-220-3
IPB120P04P4-04	OptiMOS™-P2	3,60	-120	1,10	-4.0 ... -2.0	158	Normal	TO-263-3
IPB80P04P4L-04	OptiMOS™-P2	4,20	-90	1,20	-2.2 ... -1.7	135	Logic	TO-263-3
IPD90P04P4L-04	OptiMOS™-P2	4,30	-90	1,20	-2.2 ... -1.7	135	Logic	TO-252-3
IPD90P04P4-05	OptiMOS™-P2	4,70	-90	1,20	-4.0 ... -2.0	118	Normal	TO-252-3
IPB80P04P4-05	OptiMOS™-P2	4,90	-80	1,20	-4.0 ... -2.0	118	Normal	TO-263-3
IPB80P04P4L-06	OptiMOS™-P2	6,40	-80	1,70	-2.2 ... -1.7	71	Logic	TO-263-3
IPD85P04P4L-06	OptiMOS™-P2	6,40	-85	1,70	-2.2 ... -1.7	80	Logic	TO-252-3
IPB80P04P4-07	OptiMOS™-P2	7,30	-80	1,70	-4.0 ... -2.0	71	Normal	TO-263-3
IPD85P04P4-07	OptiMOS™-P2	7,30	-85	1,70	-4.0 ... -2.0	69	Normal	TO-252-3
IPD70P04P4L-08	OptiMOS™-P2	7,80	-70	2,00	-2.2 ... -1.7	63	Logic	TO-252-3
IPB80P04P4L-08	OptiMOS™-P2	7,90	-80	2,00	-2.2 ... -1.2	71	Logic	TO-263-3
IPD70P04P4-09	OptiMOS™-P2	8,90	-70	2,00	-4.0 ... -2.0	54	Normal	TO-252-3
IPB70P04P4-09	OptiMOS™-P2	9,30	-70	2,00	-4.0 ... -2.0	54	Normal	TO-263-3
IPD50P04P4L-11	OptiMOS™-P2	10,60	-50	2,60	-2.2 ... -1.7	45	Logic	TO-252-3
IPD50P04P4-13	OptiMOS™-P2	12,60	-50	2,60	-4.0 ... -2.0	39	Normal	TO-252-3

1
2
3
4
5
6
7
8
9
10
11
12
13
14
15
16
17
18
19

N Channel Planar 30V to 100V

30V (Planar)

Product Type	Technology	RDS(on) [mΩ] @ 10V	ID [A]	RthJC (max) [K/W]	VGS(th) (min-max) [V]	QG(typ) [nC]	Normal/ Logic level	Package
IPD50N03S2L-06	OptiMOS™	6,40	50	1,10	1.2 ... 2.0	50	Logic	TO-252-3
IPD50N03S2-07	OptiMOS™	7,30	50	1,10	2.1 ... 4.0	52	Normal	TO-252-3
IPD30N03S2L-10	OptiMOS™	10,00	30	1,50	1.2 ... 2.0	31	Logic	TO-252-3
IPD30N03S2L-20	OptiMOS™	20,00	30	2,50	1.2 ... 2.0	14	Logic	TO-252-3
AUIRF7313Q	Gen 5	2 x 29,00	7	20,00	1.0 ... 3.0	22	Logic	SO-8
AUIRLR2703	Gen 5	45	20	3,30	1.0 ... NA	NA	Normal	TO-252-3

1
2
3
4
5
6

40V (Planar)

Product Type	Technology	RDS(on) [mΩ] @ 10V	ID [A]	RthJC (max) [K/W]	VGS(th) (min-max) [V]	QG(typ) [nC]	Normal/ Logic level	Package
IPB160N04S2L-03	OptiMOS™	2,70	160	0,50	1.2 ... 2.0	230	Logic	TO-263-7
IPB160N04S2-03	OptiMOS™	2,90	160	0,50	2.1 ... 4.0	123	Normal	TO-263-7
IPB100N04S2-04	OptiMOS™	3,30	100	0,50	2.1 ... 4.0	172	Normal	TO-263-3
IPB80N04S2-04	OptiMOS™	3,40	80	0,50	2.1 ... 4.0	127	Normal	TO-263-3
IPB80N04S2-H4	OptiMOS™	3,70	80	0,50	1.2 ... 2.0	103	Normal	TO-263-3
AUIRF1404S	Gen 7	4,00	75	0,75	2.0 ... 4.0	131	Normal	TO-263-3
AUIRF1404	Gen 7	4,00	75	0,75	2.0 ... 4.0	131	Normal	TO-220-3

1
2
3
4
5
6
7

50V (Planar)

Product Type	Technology	RDS(on) [mΩ] @ 10V	ID [A]	RthJC (max) [K/W]	VGS(th) (min-max) [V]	QG(typ) [nC]	Normal/ Logic level	Package
AUIRF7103Q	Gen 5	2 x 130,00	3	20,00	1.0 ... 3.0	10	Logic	SO-8

1

55V (Planar)

Product Type	Technology	RDS(on) [mΩ] @ 10V	ID [A]	RthJC (max) [K/W]	VGS(th) (min-max) [V]	QG(typ) [nC]	Normal/ Logic level	Package
IPB100N06S2L-05	OptiMOS™	4,40	100	0,50	1.2 ... 2.0	170	Logic	TO-263-3
IPB100N06S2-05	OptiMOS™	4,70	100	0,50	2.1 ... 4.0	130	Normal	TO-263-3
IPB80N06S2L-H5	OptiMOS™	4,70	80	0,50	1.2 ... 2.0	145	Logic	TO-263-3
IPP100N06S2L-05	OptiMOS™	4,70	100	0,50	1.2 ... 2.0	170	Logic	TO-220-3
IPB80N06S2-H5	OptiMOS™	5,20	80	0,50	2.1 ... 4.0	116	Normal	TO-263-3
IPB80N06S2L-06	OptiMOS™	6,00	80	0,60	1.2 ... 2.0	114	Logic	TO-263-3
IPB80N06S2-07	OptiMOS™	6,30	80	0,60	2.1 ... 4.0	86	Normal	TO-263-3
IPI80N06S2-07	OptiMOS™	6,60	80	0,60	2.1 ... 4.0	86	Normal	TO-262-3
IPP80N06S2-07	OptiMOS™	6,60	80	0,60	2.1 ... 4.0	86	Normal	TO-220-3
IPB80N06S2L-07	OptiMOS™	6,70	80	0,70	1.2 ... 2.0	95	Logic	TO-263-3
IPP80N06S2L-07	OptiMOS™	7,00	80	0,70	1.2 ... 2.0	95	Logic	TO-220-3
AUIRF024N	Gen 5	7,50	17	3,30	2.0 ... 4.0	NA	Normal	TO-252-3
IPB80N06S2-08	OptiMOS™	7,70	80	0,70	2.1 ... 4.0	72	Normal	TO-263-3
IPI80N06S2-08	OptiMOS™	8,00	80	0,70	2.1 ... 4.0	72	Normal	TO-262-3
AUIRF3205	Gen 5	8,00	75	0,75	2.0 ... 4.0	97	Normal	TO-220-3
AUIRF3305	Gen 5	8,00	140	0,45	2.0 ... 4.0	100	Normal	TO-220-3

1
2
3
4
5
6
7
8
9
10
11
12
13
14
15
16

Product Type	Technology	RDS(on) [mΩ] @ 10V	ID [A]	RthJC (max) [K/W]	VGS(th) (min-max) [V]	QG(typ) [nC]	Normal/ Logic level	Package	
IPB80N06S2L-09	OptiMOS™	8,20	80	0,80	1.2 ... 2.0	82	Logic	TO-263-3	17
IPB80N06S2-09	OptiMOS™	8,80	80	0,80	2.1 ... 4.0	60	Normal	TO-263-3	18
IPP80N06S2-09	OptiMOS™	9,10	80	0,80	2.1 ... 4.0	60	Normal	TO-220-3	19
IPB80N06S2L-11	OptiMOS™	10,70	80	0,95	1.2 ... 2.0	62	Logic	TO-263-3	20
IPB77N06S2-12	OptiMOS™	11,70	77	0,95	2.1 ... 4.0	45	Normal	TO-263-3	21
IPP77N06S2-12	OptiMOS™	12,00	77	0,95	2.1 ... 4.0	45	Normal	TO-220-3	22
IPD50N06S2L-13	OptiMOS™	12,70	50	1,10	1.2 ... 2.0	52	Logic	TO-252-3	23
IPD30N06S2L-13	OptiMOS™	13,00	30	1,10	1.2 ... 2.0	52	Logic	TO-252-3	24
AUIRFZ48N	Gen 7	14,00	64	0,95	2.0 ... 4.0	54	Normal	TO-220-3	25
IPD50N06S2-14	OptiMOS™	14,40	50	1,10	2.1 ... 4.0	39	Normal	TO-252-3	26
IPD30N06S2-15	OptiMOS™	14,70	30	1,10	1.2 ... 2.0	39	Normal	TO-252-3	27
IPD30N06S2L-23	OptiMOS™	23,00	30	1,50	1.2 ... 2.0	33	Logic	TO-252-3	28
IPD30N06S2-23	OptiMOS™	23,00	30	1,50	2.1 ... 4.0	25	Normal	TO-252-3	29
IPD26N06S2L-35	OptiMOS™	35,00	30	2,20	1.2 ... 2.0	10	Logic	TO-252-3	30
IPD25N06S2-40	OptiMOS™	40,00	29	2,20	2.1 ... 4.0	14	Normal	TO-252-3	31
IPD15N06S2L-64	OptiMOS™	64,00	19	3,20	1.2 ... 2.0	11	Logic	TO-252-3	32
AUIRFZ24NS	Gen 5	70,00	17	3,30	2.0 ... 4.0	13	Normal	TO-263-3	33
IPD14N06S2-80	OptiMOS™	80,00	17	3,20	2.1 ... 4.0	8	Normal	TO-252-3	34
IPG20N06S2L-35	OptiMOS™	2 x 35,00	20	2,30	1.2 ... 2.2	18,0	Logic	dual TDSO-N-8	35
IPG20N06S2L-35A	OptiMOS™	2 x 35,00	20	2,30	1.2 ... 2.2	18,0	Logic	dual TDSO-N-8	36
AUIRF7341Q	Gen 5	2 x 50,00	5,1	20,00	1.0 ... 3.0	29	Logic	SO-8	37
IPG20N06S2L-50	OptiMOS™	2 x 50,00	20	2,90	1.2 ... 2.2	12,4	Logic	dual TDSO-N-8	38
IPG20N06S2L-50A	OptiMOS™	2 x 50,00	20	2,90	1.2 ... 2.2	12,4	Logic	dual TDSO-N-8	39
IPG20N06S2L-65	OptiMOS™	2 x 65,00	20	3,50	1.2 ... 2.2	10,0	Logic	dual TDSO-N-8	40
IPG20N06S2L-65A	OptiMOS™	2 x 65,00	20	3,50	1.2 ... 2.2	10,0	Logic	dual TDSO-N-8	41

75V (Planar)

Product Type	Technology	RDS(on) [mΩ] @ 10V	ID [A]	RthJC (max) [K/W]	VGS(th) (min-max) [V]	QG(typ) [nC]	Normal/ Logic level	Package	
IPB100N08S2L-07	OptiMOS™	6,50	100	0,50	1.2 ... 2.0	185	Logic	TO-263-3	1
IPB80N08S2L-07	OptiMOS™	6,80	80	0,50	1.2 ... 2.0	186	Logic	TO-263-3	2
IPP100N08S2L-07	OptiMOS™	6,80	100	0,50	1.2 ... 2.0	182	Logic	TO-220-3	3
IPB80N08S2-07	OptiMOS™	7,10	80	0,50	2.1 ... 4.0	182	Normal	TO-263-3	4
IPP100N08S2-07	OptiMOS™	7,10	100	0,50	2.1 ... 4.0	144	Normal	TO-220-3	5
IPP80N08S2L-07	OptiMOS™	7,10	80	0,50	1.2 ... 2.0	183	Logic	TO-220-3	6
IPD30N08S2L-21	OptiMOS™	20,50	30	1,10	1.2 ... 2.0	43	Logic	TO-252-3	7
IPD30N08S2-22	OptiMOS™	21,50	30	1,10	2.1 ... 4.0	44	Normal	TO-252-3	8
AUIRFR2407	Gen 7	21,80	30	1,40	2.0 ... 4.0	74	Normal	TO-252-3	9
IPD22N08S2L-50	OptiMOS™	50,00	22	2,00	1.2 ... 2.0	21	Logic	TO-252-3	10

100V (Planar)

Product Type	Technology	RDS(on) [mΩ] @ 10V	ID [A]	RthJC (max) [K/W]	VGS(th) (min-max) [V]	QG(typ) [nC]	Normal/ Logic level	Package	
AUIRLR3410	Gen 5	105,00	15	1,90	1.0 ... 2.0	23	Logic	TO-252-3	1
AUIRLR120N	Gen 5	185,00	10	3,10	1.0 ... 2.0	13	Logic	TO-252-3	2

P Channel Planar 30V to 150V

30V (Planar)

Product Type	Technology	RDS(on) [mΩ] @ 10V	ID [A]	RthJC (max) [K/W]	VGS(th) (min-max) [V]	QG(typ) [nC]	Normal/ Logic level	Package
AUIRF7316Q	Gen 5	2 x 58,00	-4,9	N/A	-3.0 ... -1.0	23	Logic	SO-8

1

55V (Planar)

Product Type	Technology	RDS(on) [mΩ] @ 10V	ID [A]	RthJC (max) [K/W]	VGS(th) (min-max) [V]	QG(typ) [nC]	Normal/ Logic level	Package
AUIRF4905	Gen 5	20,00	-74	0,75	-4.0 ... -2.0	120	Normal	TO-220-3
AUIRF4905S	Gen 5	20,00	-74	0,75	-4.0 ... -2.0	120	Normal	TO-263-3
AUIRFR5305	Gen 5	65,00	-28	1,40	-4.0 ... -2.0	42	Normal	TO-252-3
AUIRFR9024N	Gen 5	175,00	-11	3,30	-4.0 ... -2.0	13	Normal	TO-252-3
AUIRF7342Q	Gen 5	2 x 105,00	-3,4	N/A	-3.0 ... -1.0	26	Logic	SO-8

1

2

3

4

5

100V (Planar)

Product Type	Technology	RDS(on) [mΩ] @ 10V	ID [A]	RthJC (max) [K/W]	VGS(th) (min-max) [V]	QG(typ) [nC]	Normal/ Logic level	Package
AUIRF5210S	Gen 5	60,00	-38	0,75	-4.0 ... -2.0	150	Normal	TO-263-3
AUIRFR5410	Gen 5	205,00	-13	1,90	-4.0 ... -2.0	39	Normal	TO-252-3

1

2

150V (Planar)

Product Type	Technology	RDS(on) [mΩ] @ 10V	ID [A]	RthJC (max) [K/W]	VGS(th) (min-max) [V]	QG(typ) [nC]	Normal/ Logic level	Package
AUIRF6215S	Gen 5	290,00	-13	1,40	-4.0 ... -2.0	44	Normal	TO-263-3
AUIRFR6215	Gen 5	295,00	-13	1,40	-4.0 ... -2.0	44	Normal	TO-252-3
AUIRF6215	Gen 5	290,00	-13	1,40	-4.0 ... -2.0	44	Normal	TO-220-3

1

2

3

N+P Channel Planar 30V to 55V

30V (Planar)

Product Type	Technology	RDS(on) [mΩ] @ 10V	ID [A]	RthJC (max) [K/W]	VGS(th) (min-max) [V]	QG(typ) [nC]	Normal/ Logic level	Package
AUIRF7379Q	Gen 5	45 / 90	5,8 / -4,3	N/A	1.0 ... 3.0	25 / 25	Logic	SO-8
AUIRF7309Q	Gen 5	50 / 100	4,7 / -3,5	N/A	1.0 ... 3.0	25 / 25	Logic	SO-8

55V (Planar)

Product Type	Technology	RDS(on) [mΩ] @ 10V	ID [A]	RthJC (max) [K/W]	VGS(th) (min-max) [V]	QG(typ) [nC]	Normal/ Logic level	Package
AUIRF7343Q	Gen 5	50 / 105	4,7 / -3,4	N/A	1.0 ... 3.0	24 / 26	Logic	SO-8