



Power and sensing

Selection guide 2022

www.infineon.com





Adam White,
Division President of
Power and Sensor Systems
电源与传感系统事业部总裁

Dear customer,

Thank you for downloading the Power and Sensing Selection Guide 2022 edition. This guide was created to eliminate choice overload by arranging our broad, cutting-edge portfolio and game-changing solutions around applications and technologies in a synthesized and easy-to-digest format.

The intelligent world we are living in brings new challenges and exciting opportunities for all of us in decarbonization and digitalization. The fusion of present and emerging technologies promises a digital, connected, and sustainable future. At Infineon, we not only want to be a part of this future, but we want to shape it - TOGETHER with you.

We continuously push technology limits to enable the advanced solutions of tomorrow. For your benefit, we bring products to systems maximizing your value. Our leading competencies in power, sensors, security, connectivity, and computing supported by our software expertise, application understanding, and outstanding quality leadership are part of our commitment to you.

Thanks to you and your trust in our company, we are the global leader in the power semiconductor market with our discrete and integrated silicon and wide-bandgap devices.

But we don't stop there! Following our long-term manufacturing strategy, we opened a state-of-the-art 300 mm wafer fab in Villach, Austria, and have started further expanding our frontend capacity in Kulim, Malaysia. With an additional €2 billion expenditure, we aim to add significant manufacturing capacities in wide bandgap (SiC and GaN) semiconductors. All these investments we make to enhance our supply security, increase our manufacturing flexibility and enable faster time to market for our customers.

As we grow, our responsibility grows - not only for the customers and employees, but also for the planet. Through our solutions, we make green energy happen within the entire power chain. This, in combination with our goal to achieve CO₂ neutrality by 2030, will have a significant impact on the world's CO₂ balance.

Sustainability and innovation are in our DNA, and our customers are at the heart of everything we do.

尊敬的客户，

感谢您下载《2022电源与传感选型手册》(以下简称“手册”)！本手册的目的是通过以综合且易于理解的方式，根据具体应用和技术来优化推荐更广泛、更领先的产品组合以及能够改变游戏规则的解决方案，从而帮助您减轻方案选择过程中的许多负担。

我们生活在一个智能世界，这其中许多人都会在减少碳排放和数字化方面面临新的巨大挑战和激动人心的机遇。现有技术和新兴技术的融合预示着未来将更加注重数字化、互联和可持续性，而对于英飞凌，我们不仅要参与这个美好未来的建设，而且还要与您一起来塑造更美好的未来！

为了能够提供面向未来的先进解决方案，我们正在不断突破技术极限。出于对客户的考虑，我们在为具体应用提供产品时将为您实现更大的价值。英飞凌拥有在电源、传感器、安全、连接和计算等方面的领先竞争力，深入的软件专业知识、应用理解和卓越的质量保证，这是我们对客户的一贯承诺。

正是您的大力支持和对英飞凌的长期信任，我们才得以凭借广泛和先进的分立与集成硅器件，以及宽带隙器件成为功率半导体市场的全球领导厂商。

但我们不会就此止步。根据我们的长期制造战略，英飞凌已经在奥地利菲拉赫 (Villach, Austria) 开设了先进的 300 毫米晶圆厂，并进一步扩大了我们在马来西亚居林 (Kulim, Malaysia) 的前端产能。通过额外的 20 亿欧元投资，我们的目标是大幅提高宽带隙 (SiC 和 GaN) 半导体的制造能力。所有这些投资都是为了增强我们的供货安全保证，提高我们的制造灵活性，并帮助客户加快上市速度。

伴随我们业务的不断增长，我们也在承担更多的责任。在对客户和员工提供更多支持和关爱的同时，我们也更加关注自然环境。英飞凌解决方案已经在整个功率链路完全实现绿色能源目标，这与到 2030 年实现二氧化碳中和的目标相结合，将对全球二氧化碳的平衡产生重大影响。

可持续发展和创新刻在我们的 DNA 中，而客户则是我们所有关注的核心。

Adam White,
Division President of Power and Sensor Systems
电源与传感系统事业部总裁

Contents

Solutions	4	Products	99
SMPS	5		
SMPS - server power supply	5	20-300 V MOSFETs	100
SMPS - telecom power supply	7		
SMPS - industrial SMPS	10	500-950 V MOSFETs	136
SMPS - PC power supply	12		
SMPS - TV power supply	13	Gate-driver ICs	167
Power over Ethernet	16		
Fast/wireless EV charging	18	Digital isolators	199
Wireless charging for consumer/industrial	23		
USB-C chargers and adapters	27	Discrete IGBTs and silicon power diodes	204
SMPS - battery chargers	29		
Battery management systems	31	Intelligent power switches and modules	224
Battery protection	31		
Battery monitoring	33	Microcontrollers	242
Relay replacement	36		
Motor control	38	Power management ICs	273
Low-voltage low-power motor drive and control	38		
High-power low-voltage motor drive	41	Wide bandgap semiconductors	350
Uninterruptible power supply	45		
Contactless power and sensing	50	XENSIV™ sensors	372
Applications	52	Packages	427
Appliances and consumer electronics	53		
Major home appliances	53	Infineon Customized Solutions	433
Home appliances	58		
Power and gardening tools	62	The Infineon Partner Program	436
Wrist-worn devices	64		
Class D audio amplifiers	67		
Smart speaker	69		
Surveillance camera	71		
LED lighting	73		
Plug & LEDs play solutions	75		
Smart lighting solutions	76		
ITC solutions	81		
DC-DC power solution for data center, edge, enterprise, telecom and datacom	81		
DC-DC enterprise power solution for data processing applications	83		
Renewables - residential and commercial solar infrastructure & energy storage systems	84		
Solar	84		
Energy storage systems	89		
Robotics	91		
Onboard chargers for xEV applications	94		
Light electric vehicles and forklift	97		

Dear users!

Our customers are at the heart of everything we do. Please give us feedback on how we can improve to meet your expectations with this document the best.





Solutions

SMPS, battery management systems, motor control, UPS, contactless power and sensing

- › SMPS - server power supply
- › SMPS - telecom power supply
- › SMPS - industrial SMPS
- › SMPS - PC power supply
- › SMPS - TV power supply
- › Power over Ethernet (PoE)
- › Fast/wireless EV charging
- › Wireless charging for consumer/industrial
- › USB-C chargers and adapters
- › SMPS - battery chargers
- › Battery protection
- › Battery monitoring
- › Relay replacement
- › Low-voltage low-power motor drive and control
- › High-power low-voltage motor drive
- › Uninterruptible power supply
- › Contactless power and sensing

Dear users!

Our customers are at the heart of everything we do. Please give us feedback on how we can improve to meet your expectations with this document the best.





Server SMPS

Highly efficient server power supply

The trend in the field of data center and enterprise servers is to deliver more power per rack. Meanwhile, the rising cost of energy and environmental concerns make SMPS efficiency optimization a key requirement across the entire load range for server and data center designs. This challenging task is combined with the requirement for higher power, higher power density, and cost effectiveness.

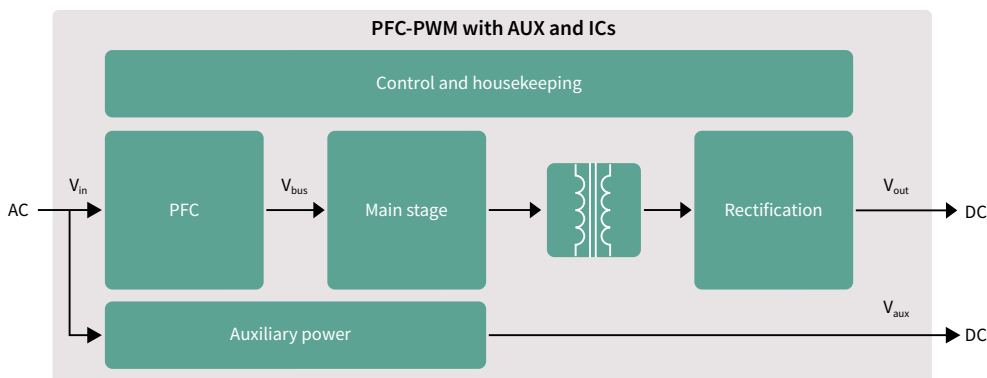
In the PFC stage and generally in hard-switching topologies used in server applications, Infineon recommends its 600 V **CoolMOS™ C7** and G7 families offering the lowest FOM $R_{DS(on)} * Q_G$ and $R_{DS(on)} * E_{oss}$. These MOSFET series provide the lowest switching losses, which is necessary in fast-switching-frequency operations in high-end server SMPS. With Infineon's C7 and G7 series, the efficiency is optimized already from a very light-load operation. Available in compact SMD packages such as ThinPAK, DPAK, and TOLL, these SJ MOSFETs offer benefits in space usage and power density. The 600 V **CoolMOS™ C7** and G7 products are best used with Infineon's industry-benchmark, the non-isolated **EiceDRIVER™ 2EDN752x** and the isolated **EiceDRIVER™ Compact 1ED AF** gate driver families.

Complementary to the 600 V **CoolMOS™ C7** in high efficiency PFC are the **CoolSiC™** Schottky diodes. The **600 V CoolMOS™ P7** family offers a good compromise between price and performance. This is valuable in both PFC and HV DC-DC stages where low Q_G and turn-off losses are important benefits, especially in case of high-switching-frequency operations and high light-load efficiency requirements.

As high power (2-6 kW and above) requires ultrahigh efficiency (96-98 percent peak) and high power density, Infineon's **CoolGaN™ GIT HEMT 600 V** family with totem-pole PFC controls deliver the highest efficiency and power density in the world. Using the **600 V CoolMOS™ S7** devices with active bridge circuit fulfills the Titanium® requirement at the lowest cost. Operating expenses (OPEX) and capital expenditures (CAPEX) are both reduced through simplified topologies and the power density in the server PSU is doubled.

In applications with low output voltage and high output current, further efficiency improvements are enabled by the continuous reduction of on-resistance. This can be achieved by using Infineon's low-voltage **OptiMOS™** MOSFET series in the synchronous rectification stage. Infineon's low-voltage products are complemented by **StrongIRFET™** devices that are optimized for lower switching frequencies and highest system robustness. Infineon's **EiceDRIVER™** gate-driver IC family perfectly matches the **CoolGaN™** and **CoolSiC™** wide-bandgap products, and **CoolMOS™** and **OptiMOS™** MOSFET products.

In addition, **ISOFACE™** digital isolators, based on the Infineon's coreless transformer (CT) technology, provide robust galvanic isolation for safety requirements.



www.infineon.com/smps

For more details on the product, click on the part number, visit infineon.com or contact our [product support](#).



Recommended products

Functional block	Product category	Topology	Product family	Benefits	
PFC	High-voltage MOSFETs	CCM/interleaved PFC; TTF	600 V/650 V CoolMOS™ C7 650 V CoolMOS™ G7 600 V CoolMOS™ S7	<ul style="list-style-type: none"> Best FOM $R_{DS(on)} \cdot Q_G$ and $R_{DS(on)} \cdot E_{oss}$ Lowest $R_{DS(on)}$ per package Low dependency of switching losses from $R_{g,ext}$ 	
	High-voltage GaN	Totem-pole PFC	CoolGaN™ GIT HEMT 600 V	<ul style="list-style-type: none"> Enable the highest efficiency and highest power density 	
	High-voltage SiC MOSFET	Totem-pole PFC	CoolSiC™ 650 V	<ul style="list-style-type: none"> Highest power handling capability Highest temperature handling 	
	SiC diodes	CCM/interleaved PFC	CoolSiC™ Schottky diode 650 V G5	<ul style="list-style-type: none"> Low FOM $V_F \cdot Q_G$ 	
	Control ICs	CCM PFC ICs	ICE3PCS0xG	<ul style="list-style-type: none"> Ease of use 	
	GaN gate driver ICs	Totem-pole PFC	EiceDRIVER™ 1EDF5673F and 1EDF5673K	<ul style="list-style-type: none"> Negative V_{GS} voltage to avoid false triggering Differential output for GIT technology based GaN driving 	
	SiC MOSFET gate driver ICs	Totem-pole PFC	EiceDRIVER™ 2EDF9275F/1EDB9275F*	<ul style="list-style-type: none"> 37 ns/45 ns typical propagation delay time Functional isolation 1.5 kV 	
	Gate driver ICs	Interleaved PFC		EiceDRIVER™ 2EDN852x / 1EDN8511B EiceDRIVER™ 1EDN8550B for Kelvin-source CoolMOS™	<ul style="list-style-type: none"> Source and sink driver capability: - 5 A for 2EDN - 4 A/8 A for 1EDN 17 ns (45 ns for 1EDN8550B) propagation delay precision for fast MOSFET and GaN switching (-)10 V input robustness (1EDN8550B has true differential inputs for ground-shift robustness CMR up to ±150 V)
				EiceDRIVER™ low side: 2ED24427N01F	<ul style="list-style-type: none"> Dual-channel, 10 A low-side driver in DSO8 with power-pad Integrated UVLO protection and enable (EN) function High frequency, high power operation with BOM savings
		Totem-pole PFC		EiceDRIVER™ level-shift: 2ED2181S06F, 2ED21814S06J	<ul style="list-style-type: none"> 650 V half-bridge SOI driver with integrated bootstrap diode Superior -VS transient voltage immunity High frequency switching (500 kHz)
EiceDRIVER™ level-shift: IRS2186S, IRS21864S				<ul style="list-style-type: none"> 4 A/4 A high- and low-side gate driver 	
Boost PFC			EiceDRIVER™ Compact: 1EDI60N12AF, 1ED3124MU12F	<ul style="list-style-type: none"> Isolated gate driver, up to 14 A, 100 ns propagation delay 	
Main stage	High-voltage MOSFETs	ITTF	600 V CoolMOS™ C7/P6	<ul style="list-style-type: none"> Fast switching speed for improved efficiency and thermals Low gate charge for enhanced light-load efficiency and low power consumption at no-load condition Optimized V_{GS} threshold for lower turn-off losses Rugged body diode which prevents device failure during hard commutation 	
		LLC, half-bridge below 1 kW	600 V CoolMOS™ P7, CFD7	<ul style="list-style-type: none"> Low turn-off losses Low Q_{oss} Low Q_G 	
		LLC, phase-shift full-bridge below 1 kW	600 V CoolMOS™ CFD7, 650 V CoolMOS™ CFD2	<ul style="list-style-type: none"> Fast and rugged body diode Optimized low Q_G and soft commutation behavior to reach highest efficiency Highest reliability for 650 V_{DS} 	
		ZVS PS FB, LLC, TTF	650 V TRENCHSTOP™ IGBT F5	<ul style="list-style-type: none"> Improved ruggedness and high efficiency in low inductance designs 	
	Control ICs	HB LLC ICs	ICE1HS01G-1 ICE2HS01G	<ul style="list-style-type: none"> High efficiency and low EMI 	
	Gate driver ICs	LLC, ZVS phase-shift full-bridge, TTF		EiceDRIVER™ 2EDS8165H, 2EDS8265H	<ul style="list-style-type: none"> 37 ns typical propagation delay time Reinforced (safe) isolation 6 kV, CMTI > 150 V/ns
				EiceDRIVER™ Compact: 1EDI60N12AF, 1ED3124MU12F	<ul style="list-style-type: none"> Isolated gate driver, up to 14 A, 100 ns propagation delay
				EiceDRIVER™ 2EDN8524F with pulse transformer	<ul style="list-style-type: none"> 5 A source and sink driver capability 17 ns propagation delay precision for fast MOSFET and GaN switching
				EiceDRIVER™ low side: 2ED24427N01F with pulse transformer	<ul style="list-style-type: none"> Dual-channel, 10 A low-side driver in DSO8 with power-pad Integrated UVLO protection and enable (EN) function High frequency, high power operation with BOM savings
				EiceDRIVER™ level-shift: 2ED2181S06F, 2ED21814S06J	<ul style="list-style-type: none"> 650 V half-bridge SOI driver with integrated bootstrap diode Superior -VS transient voltage immunity High frequency switching (500 kHz)
EiceDRIVER™ level-shift: IRS2186S, IRS21864S				<ul style="list-style-type: none"> 4 A/4 A high- and low-side gate driver 	
Synchronous rectification	Low-voltage MOSFETs	HB LLC and center tap	OptiMOS™ 40 V	<ul style="list-style-type: none"> High efficiency over whole load range, layout tolerance 	
		ITTF	OptiMOS™ 60 V	<ul style="list-style-type: none"> High efficiency, low thermals, low V_{DS} overshoot 	
		ZVS PS FB and center tap	OptiMOS™ 80 V	<ul style="list-style-type: none"> High efficiency over whole load range, low V_{DS} overshoot and oscillations 	
	Gate driver ICs	Synchronous rectification		EiceDRIVER™ 2EDF7275K/2EDF7235K 2EDL811x/2EDL801x for bridge rectifier	<ul style="list-style-type: none"> EiceDRIVER™ 2EDF72x5K Functional isolation up to 650 V_{DC} channel-to-channel isolation Compact solution available in LGA-13 5x5 mm package EiceDRIVER™ 2EDL8x1x Level-shift half-bridge gate driver up to 120 V isolation
				Low side: EiceDRIVER™ 2EDN75xx / 2EDN85xx, 1EDN751x / 1EDN8511B	<ul style="list-style-type: none"> 5 A source and sink driver capability for 2EDN (4A/8A for 1EDN) 17/19 ns propagation delay precision for fast MOSFET and GaN switching (-)10 V input robustness
				EiceDRIVER™ low side: 2ED24427N01F	<ul style="list-style-type: none"> Dual-channel, 10 A low-side driver in DSO8 with power-pad Integrated UVLO protection and enable (EN) function High frequency, high power operation with BOM savings
				EiceDRIVER™ level-shift: 2ED2181S06F, 2ED21814S06J	<ul style="list-style-type: none"> 650 V half-bridge SOI driver with integrated bootstrap diode Superior -VS transient voltage immunity high frequency switching (500 kHz)
				EiceDRIVER™ level-shift: IRS2186S, IRS21864S	<ul style="list-style-type: none"> 4 A/4 A high- and low-side gate driver
				EiceDRIVER™ 1EDN8550B	<ul style="list-style-type: none"> True differential inputs for ground shift robustness CMR up to ±150 V
Auxiliary power supply	Control ICs	QR/FF flyback CoolSET™	700 V - ICE5xR0070xx 800 V - ICE5xR0080AG 800 V - ICE5QRxx80BG	<ul style="list-style-type: none"> Low standby power, high efficiency and robustness An integrated 700 V/800 V superjunction power MOSFET with avalanche capability Burst mode entry/exit to optimize standby power at different low load conditions 	
Isolation	Digital isolator	-	2DIB040F*	<ul style="list-style-type: none"> 2+0 digital isolator with TTL input threshold and fail-safe default low output state 3 kVrms isolation voltage (UL 1577) in DSO8 package High common mode transient immunity > 100 kV/us 	
Housekeeping	Microcontrollers	-	XMC1xxx	<ul style="list-style-type: none"> Flexibility, HR PWM, digital communication Arm®-based standard MCU family and wide family 	
Conversion	Microcontrollers	-	XMC4xxx	<ul style="list-style-type: none"> Flexibility, HR PWM and digital communication 	





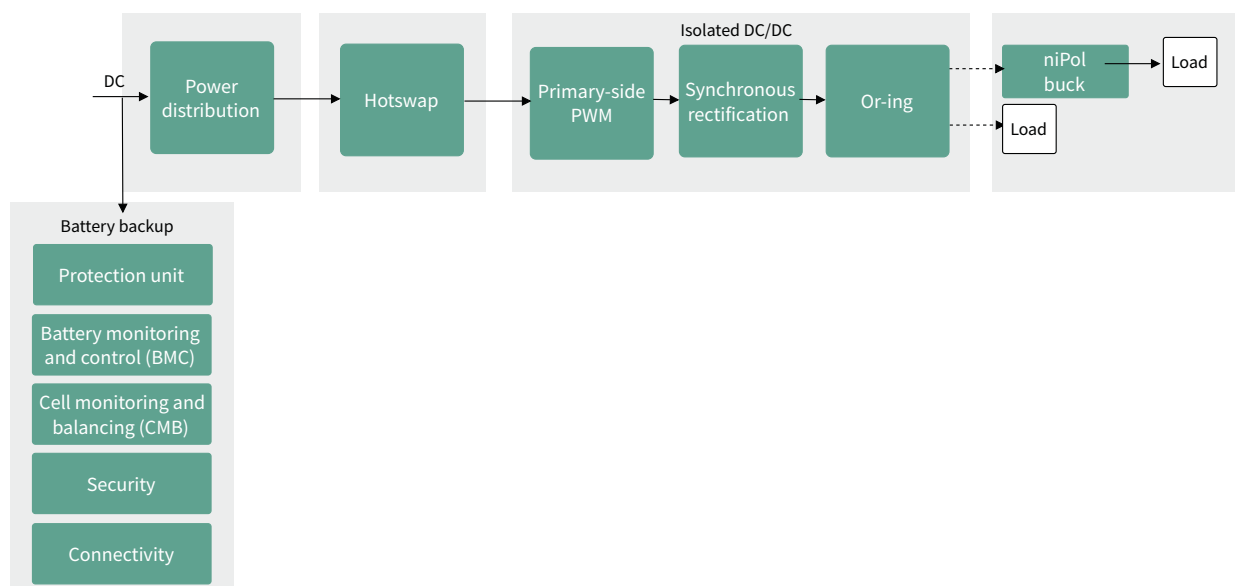
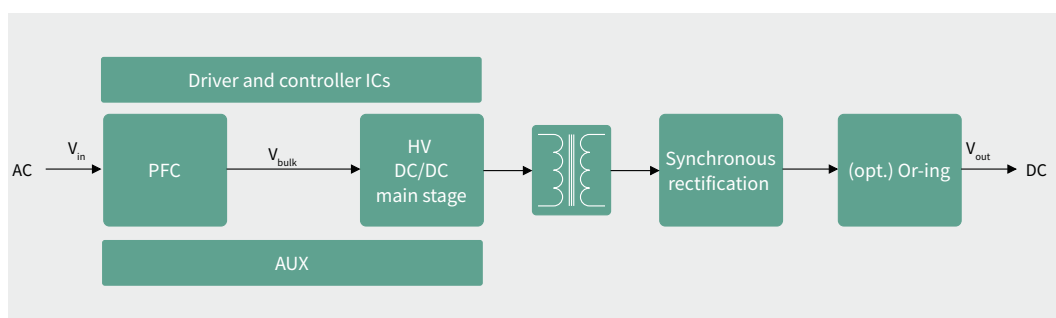
SMPS

Full system solution for telecom power supply

The ever increasing data consumption, coupled with new levels of virtualization and complexity of the 5G telecom infrastructure, is bringing its demanding requirements into the telecom power arena. The outstanding improvements made in telecom SMPS performance in the past decade have been primarily brought by the dramatic reduction of the on resistance achieved in high voltage MOSFETs, using the revolutionary superjunction principle. This principle was introduced by Infineon at the end of the nineties with the **CoolMOS™** series.

To achieve the current demanding, flat energy efficiency targets, it has been increasingly popular to employ synchronous rectification utilizing the unique performance of medium-voltage **OptiMOS™** power MOSFETs. The **OptiMOS™ power MOSFET** family, which has gained terrific popularity in DC-DC brick solutions, coupled with gate-driver ICs and microcontrollers efficiently powers the BBUs, RRUs and AAUs of the macro and the small cells.

Infineon's wide bandgap technologies, such as the **CoolGaN 600 V GIT HEMT** (gallium-nitride-based) and the **CoolSiC™ 650 V** (silicon-carbide-based) for primary side and the upcoming **CoolGaN™ 100 V/200 V*** for synchronous rectification, complement the wide portfolio of silicon-based switches, enabling highest electrical conversion efficiency and robustness at attractive system costs. Infineon's **EiceDRIVER™** gate driver IC family perfectly matches the **CoolGaN™** and **CoolSiC™** wide bandgap products, and **CoolMOS™** and **OptiMOS™** MOSFET products.



www.infineon.com/smcs

* in development

For more details on the product, click on the part number, visit infineon.com or contact our [product support](#).



Recommended products

Functional block	Product category	Topology	Product family	Benefits	
PFC	High-voltage MOSFETs	Classic CCM/interleaved PFC Dual-boost PFC	600 V/650 V CoolMOS™ C7	<ul style="list-style-type: none"> Best FOM $R_{DS(on)} \cdot Q_G$ and $R_{DS(on)} \cdot E_{oss}$ Lowest $R_{DS(on)}$ per package Low dependency of switching losses from $R_{g,ext}$ 	
			600 V CoolMOS™ P7	<ul style="list-style-type: none"> Low turn-off losses Low Q_{oss} Low Q_G 	
			600 V CoolMOS™ S7	<ul style="list-style-type: none"> The lowest $R_{DS(on)}$ MOSFET for line frequency rectification 	
	High-voltage GaN	CCM totem-pole PFC	CoolGaN™ 600 V	<ul style="list-style-type: none"> Switching at high frequencies (> Si) Enables high power density 	
	High-voltage SiC MOSFET	CCM totem-pole PFC	CoolSiC™ 650 V	<ul style="list-style-type: none"> Enable very high efficiency with ease of use 	
	SiC diodes	Classic CCM/interleaved PFC Dual-boost PFC	CoolSiC™ Schottky diode 650 V G6	<ul style="list-style-type: none"> Low FOM $V_F \cdot Q_C$ 	
	Control ICs	CCM PFC ICs	ICE3PCS0xG	<ul style="list-style-type: none"> High PFC and low THD 	
	GaN gate-driver ICs	Totem-pole PFC	EiceDRIVER™ 2EDF9275F/1EDB9275F	<ul style="list-style-type: none"> Negative V_{GS} voltage to avoid false triggering Differential output for GIT technology based GaN driving CMTI > 200 V/ns 	
	SiC MOSFET gate-driver ICs	Totem-pole PFC	EiceDRIVER™ 2EDF9275F/1EDB9275F	<ul style="list-style-type: none"> 37 ns/45 ns typical propagation delay time Functional isolation 1.5 kV CMTI > 150 V/ns 	
	Gate-driver ICs	Totem-pole PFC	Interleaved dual-boost PFC	EiceDRIVER™ 2EDFx275F/1EDBx275F	<ul style="list-style-type: none"> 37 ns/45 ns typical propagation delay time Functional isolation 1.5 kV CMTI > 150 V/ns
				EiceDRIVER™ Compact: 1EDI60N12AF, 1ED3124MU12F EiceDRIVER™ level-shift: 2ED2304S06F, 2EDL23N06PJ, 2ED2182S06F	<ul style="list-style-type: none"> Isolated gate driver, up to 14 A, 100 ns propagation delay Integrated bootstrap diode using Infineon SOI technology, low level-shift loss Excellent ruggedness against negative transient voltages on VS pin
				EiceDRIVER™ 2EDN852x/1EDN851x EiceDRIVER™ 1EDN8550B for Kelvin-source CoolMOS™	<ul style="list-style-type: none"> 5 A source and sink driver capability for 2EDN 8 A sink and 4 A source driver capability for 1EDN 17 ns propagation delay precision for fast MOSFET and GaN switching 8 A sink and 4 A source driver capability 45 ns for propagation delay precision for fast MOSFET and GaN switching True differential inputs for ground shift robustness (CMR up to ±150 V)
Interleaved dual-boost PFC		EiceDRIVER™ low side: 2ED24427N01F	<ul style="list-style-type: none"> Dual-channel, 10 A low-side gate driver in PG-DSO8 package with power-pad UVLO and enable (EN), high frequency, high power operation with BOM savings 		
			<ul style="list-style-type: none"> Fast-switching speed for improved efficiency and thermals Low gate charge for enhanced light load efficiency Optimized V_{GS} threshold for lower turn-off losses Rugged body diode which prevents device failure during hard commutation 		
			<ul style="list-style-type: none"> Low turn-off losses Low Q_{oss} Low Q_G 		
DC-DC main stage	High-voltage MOSFETs	TTF, ITTF	600 V CoolMOS™ C7/P7	<ul style="list-style-type: none"> Fast-switching speed for improved efficiency and thermals Low gate charge for enhanced light load efficiency Optimized V_{GS} threshold for lower turn-off losses Rugged body diode which prevents device failure during hard commutation 	
			HB/FB LLC	600 V CoolMOS™ P7	<ul style="list-style-type: none"> Low turn-off losses Low Q_{oss} Low Q_G
			HB/FB LLC, ZVS PSFB	600 V CoolMOS™ CFD7	<ul style="list-style-type: none"> Best-in-class Q_{rr} and t_{rr} level Significantly reduced Q_G Improved efficiency over previous CoolMOS™ fast-body-diode series
	Gate-driver ICs	HB LLC, ZVS phase-shift full-bridge	EiceDRIVER™ 2EDS8x65H	<ul style="list-style-type: none"> 37 ns typical propagation delay time Reinforced isolation 8 kVpk CMTI > 150 V/ns 	
			EiceDRIVER™ 2EDN8524F with pulse transformer	<ul style="list-style-type: none"> 5 A source and sink driver capability 17 ns propagation delay precision for fast MOSFET and GaN switching (-)10 V input robustness 	
			EiceDRIVER™ Compact: 1EDI60N12AF, 1ED3124MU12F EiceDRIVER™ level-shift: 2ED2304S06F, 2EDL23N06PJ, 2ED2182S06F	<ul style="list-style-type: none"> Isolated gate driver, up to 14 A, 100 ns propagation delay Integrated bootstrap diode using Infineon SOI technology, low level-shift loss Excellent ruggedness against negative transient voltages on VS pin 	
	Control ICs	HB LLC	ICE1HS01G-1, ICE2HS01G	<ul style="list-style-type: none"> High efficiency and low EMI 	
	GaN gate-driver ICs	LLC, ZVS phase-shift full-bridge	EiceDRIVER™ 1EDS5663H	<ul style="list-style-type: none"> Negative V_{GS} voltage to avoid false triggering Differential output for GIT technology based GaN driving CMTI > 200 V/ns 	
	High-voltage GaN	LLC, ZVS phase-shift full-bridge	CoolGaN™ 600 V	<ul style="list-style-type: none"> Enables the highest efficiency and highest power density 	
	Synchronous rectification	Low-voltage MOSFETs	Synchronous rectification MOSFET	OptiMOS™ 80-200 V	<ul style="list-style-type: none"> Industry's lowest FOM ($R_{DS(on)} \cdot Q_G$) leading to high efficiency at good price/performance Low voltage overshoots enabling easy design-in Industry's lowest $R_{DS(on)}$ Highest system efficiency and power density Outstanding quality and reliability Reduces the need for a snubber circuit
Gate-driver ICs				Synchronous rectification	EiceDRIVER™ 2EDF7275K EiceDRIVER™ 2EDL811x/ 2EDL801x Low side: EiceDRIVER™ 2EDN75xx/ 2EDN85xx, 1EDN751x/ 1EDN851x EiceDRIVER™ level-shift: IRS2186S, IRS21864S EiceDRIVER™ low side: 2ED24427N01F
Control ICs		5 th generation QR/FF flyback CoolSET™	QR 800 V - ICE5QRxx80BG FF 800 V - ICE5Rxx80AG	<ul style="list-style-type: none"> Dual-channel, 10 A low-side gate driver in PG-DSO8 package with power-pad UVLO and enable (EN), high frequency, high power operation with BOM savings Quasi-resonant-switching operation for high efficiency and low EMI signature Fixed-frequency-switching operation for ease of design – 100 KHz and 125 KHz Fast and robust start-up with cascode configuration Robust protection with adjustable line input overvoltage protection, V_{CC} and CS pin short-to-ground protection Optimized light-load efficiency with selectable burst mode entry/exit profile Frequency reduction for mid- and light-load condition to reduce switching losses and increase efficiency Direct feedback and regulation with integrated error amplifier for non-isolated output High power delivery of up to 42 W with 800 V CoolSET™ in heatsink-free SMD package 	
Housekeeping	Microcontrollers	-	XMC1xxx	<ul style="list-style-type: none"> Flexibility, HR PWM, digital communication Arm®-based standard MCU family and wide family 	
Power conversion	Microcontrollers	-	XMC1xxx, XMC4xxx	<ul style="list-style-type: none"> Flexibility, HR PWM, digital communication Arm®-based standard MCU family and wide family 	
Isolated DC-DC	Microcontrollers	-	XDPP1100	<ul style="list-style-type: none"> Optimized for 48 V telecom isolated conversion Highly flexible digital core State-of-the-art dedicated AFE State-machine based fast loop control Pre-programmed peripherals in ROM Negligible internal power consumption Industry smallest digital power controller 	



Recommended products

Functional block	Product category	Topology	Product family	Benefits	
Or-ing	Low-voltage MOSFETs	Or-ing MOSFET	OptiMOS™ 60-200 V	<ul style="list-style-type: none"> Industry's lowest FOM ($R_{DS(on)} \cdot Q_G$) leading to high efficiency at good price/performance Low-voltage overshoots enabling easy design-in 	
Battery management and protection	Low- and medium-voltage MOSFETs	Back-to-back disconnect	OptiMOS™ 80-200 V StrongIRFET™ 80-200 V	<ul style="list-style-type: none"> Industry's lowest Low $R_{DS(on)}$ Wide SOA Perfect match of robust and excellent price/performance 	
	Microcontroller	-	PSoC™ 4	<ul style="list-style-type: none"> 32-bit MCU Subsystem 48-MHz Arm® Cortex®-M0+ CPU Flash: Up to 256 kB flash RAM: 32 kB SRAM Up to 2 CAN USB/ Up to 4 serial channels 	
	Current sensing	Coulomb count	TLI4971	<ul style="list-style-type: none"> Ultralow-power loss due to minimal resistance of the current rail Reliable current measurement over the lifetime (no re-calibration) Functional isolation for high-voltage application Easy and compact package allows high power density design 	
	Battery management IC	Cell monitoring	TLE9012	<ul style="list-style-type: none"> Robust communication without the need of transformers or common-mode chokes Best in class voltage measurement accuracy even after soldering thanks to stress sensor technology Integrated diagnosis easing functional safety design Integrated UART communication for systems with a microcontroller on local ground 	
	Small signal N/P channel MOSFET	Cell balancing	OptiMOS™ 20-30 V StrongIRFET™ 20-30 V	<ul style="list-style-type: none"> Wide range of packages Suitable for space constraints Suitable equalizing current between 0.5 A to 2.5 A Compact solution with smaller PCB footprint 	
	Communication	-	Lin CAN	<ul style="list-style-type: none"> Low quiescent current ISO11898 compliant Excellent EMI performance Standby / sleep mode Wake and failure detection High ESD robustness 	
	Security	-	OPTIGA™ Trust M	<ul style="list-style-type: none"> High-end CC EAL6+ (high) certified security controller: ECC, RSA®, AES, SHA, TLS, HKDF Full turnkey solution Host code with an abstraction layer Customer-specific certificate provided for zero-touch provisioning 	
Isolated DC-DC	Microcontrollers		XDP™	<ul style="list-style-type: none"> Optimized for 48 V telecom isolated conversion Highly flexible digital core State-of-the-art dedicated AFE State-machine based fast loop control Pre-programmed peripherals in ROM Negligible internal power consumption Industry smallest digital power controller 	
	Low-voltage MOSFETs	Primary-side PWM MOSFETs	OptiMOS™ 80-200 V StrongIRFET™ 80-200 V Small-signal MOSFETs 60-200 V	<ul style="list-style-type: none"> Industry's lowest $R_{DS(on)}$ Highest system efficiency and power density Outstanding quality and reliability Reduces the need for a snubber circuit 	
		Synchronous-rectification MOSFET	OptiMOS™ 40-100 V StrongIRFET™ 40-100 V		
		Or-ing MOSFET	OptiMOS™ 25-30 V StrongIRFET™ 25-30 V		
		Active snubber	OptiMOS™ power MOSFET 60 V/100 V/150 V		
	Gate-driver ICs	Primary side		EiceDRIVER™ 2EDF7275K	<ul style="list-style-type: none"> Functional isolation up to 650 VDC channel-to-channel isolation Compact solution available in LGA-13 5x5 mm package
				EiceDRIVER™ 2EDL811x/2EDL801x	
Synchronous rectification			EiceDRIVER™ 2EDF7275K	<ul style="list-style-type: none"> Functional isolation up to 650 VDC channel-to-channel isolation Compact solution available in LGA-13 5x5 mm package Level-shift half-bridge gate driver up to 120 V isolation 	
			EiceDRIVER™ 2EDL811x/2EDL801x		
			Low side: EiceDRIVER™ 2EDN75xx/ 2EDN85xx, 1EDN751x/1EDN851x		
		EiceDRIVER™ level-shift: IRS2186S, IRS21864S	<ul style="list-style-type: none"> 4 A/4 A high- and low-side gate driver 		
		EiceDRIVER™ low side: 2ED24427N01F	<ul style="list-style-type: none"> Dual-channel, 10 A low-side gate driver in PG-DS08 package with power-pad UVLO and Enable (EN), high frequency, high power operation with BOM savings 		

Click here for more information on [ICT solutions](#).





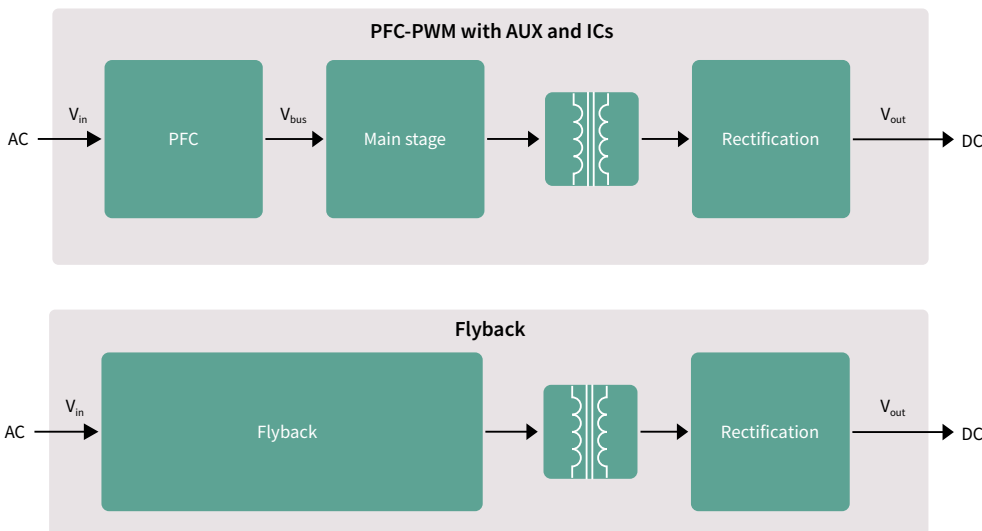
Industrial SMPS

Reliable and robust

Industrial SMPS powers a wide range of devices from industrial automation robots to medical equipment and vending machines. With the expansion of the Internet of Things (IoT) and the adoption of Industry 4.0, the demand for industrial SMPS is on the rise. Industrial switch-mode power supplies (SMPS) are mostly operated in outdoor environments without air conditioning or systems without fans. Such operating conditions make reliability and robustness the key requirements for the industrial SMPS, especially when it comes to high-temperature operations, outdoor use, line surges, load jumps, short circuit, and so on. In addition to quality, reliable supply and long-term product availability are also some of the key customer concerns. Industrial SMPS life cycle goes beyond 10 years and it takes 3 to 5 years to ramp. Hence, not only do customers need high-quality products, but also stable and reliable supply over the industrial SMPS life cycle (10 to 20 years).

Infineon meets all of these requirements with its **CoolMOS™**, **OptiMOS™**, **StrongIRFET™** and **EiceDRIVER™** gate-driver product families. Infineon's products offer the best price/performance ratio along with the highest efficiency and reliability. For new designs, we recommend our **CoolMOS™ P7** 600 V/800 V/950 V parts, as well as the latest generation of **OptiMOS™** 30 V/40 V/60 V/80 V/ 100 V/150 V and 250 V products. For high-power designs with convection cooling and high power supplies, our **CoolMOS™ S7** in active bridge configuration will reduce the power losses to enable fanless operation. In addition, the **ISOFACE™** digital isolators, based on the Infineon's coreless transformer (CT) technology, provide robust galvanic isolation for safety requirements.

Application diagrams



Product portfolio

Functional block	Product category	Topology	Technology	Benefits	
PFC/Main stage	High-voltage MOSFETs	CrCM/DCM PFC	600 V/800 V/950 V CoolMOS™ P7	<ul style="list-style-type: none"> Best thermal performance Rugged body diode ESD enhancement for production line Wide $R_{DS(on)}$ portfolio including both THD and SMD packages 	
			600 V CoolMOS™ P6	<ul style="list-style-type: none"> Fast-switching speed for improved efficiency and thermals Low gate charge for enhanced light-load efficiency and low power consumption at no load condition Optimized V_{GS} threshold for low turn-off losses 	
			600 V CoolMOS™ S7	<ul style="list-style-type: none"> PFC efficiency boost ~1% Lowest $R_{DS(on)}$ in SMD packages 	
	High-voltage SiC MOSFET	Totem-pole PFC	CoolSiC™ 650 V	<ul style="list-style-type: none"> Highest power handling Best thermal capability 	
	Boost diodes	DCM PFC	CCM PFC	650 V Rapid 1	<ul style="list-style-type: none"> Low conduction losses
				650 V Rapid 2	<ul style="list-style-type: none"> Low reverse recovery losses and PFC switch turn-on losses
Control ICs	CCM PFC ICs		ICE3PCS0xG	<ul style="list-style-type: none"> High PFC and low THD 	
Main stage	Control ICs	HB LLC ICs	650 V – ICE1HS01G-1/ICE2HS01G	<ul style="list-style-type: none"> High efficiency and low EMI 	
Synchronous rectification	Medium-voltage diodes	HB LLC + center-tap	OptiMOS™ 30 V/40 V/60 V/80 V/150 V/250 V	<ul style="list-style-type: none"> Optimized cost/performance and low thermals 	
PFC/Main stage/ Synchronous rectification	Gate driver ICs	Boost PFC	EiceDRIVER™ low side: 1ED44173N01B	<ul style="list-style-type: none"> Single-channel with fast, accurate ($\pm 5\%$), integrated over-current protection (OCP) 	
			Totem-pole PFC/ HB LLC	EiceDRIVER™ Compact: 1ED160N12AF, 1ED3124MU12F	<ul style="list-style-type: none"> Isolated gate driver, up to 14 A, 100 ns propagation delay
		Interleaved PFC/ HB LLC	EiceDRIVER™ level-shift: 2ED2181S06F, 2ED21814S06J	<ul style="list-style-type: none"> 650 V half-bridge SOI driver with integrated bootstrap diode Superior -VS transient voltage immunity High-frequency switching (500 kHz) 	
			EiceDRIVER™ level-shift: IRS2186S, IRS21864S	<ul style="list-style-type: none"> 4 A/4 A high- and low-side gate driver 	
Flyback	Control ICs	QR flyback	ICESQSBG	<ul style="list-style-type: none"> High efficiency and low standby power 	
	High-voltage MOSFET	Flyback	700 V/800 V CoolMOS™ P7	<ul style="list-style-type: none"> Best price-competitive CoolMOS™ family Lower switching losses versus standard MOSFET Controlled dV/dt and di/dt for better EMI 	
Auxiliary power supply	Control ICs	QR/FF flyback	700 V/800 V ICESQRxx70/80A(Z)(G)	<ul style="list-style-type: none"> Low standby power, high efficiency and robustness 	
Isolation	Digital isolator		2DIB0410F*	<ul style="list-style-type: none"> 2+0 digital isolator with TTL input threshold and fail-safe default low output state 3 kV_{rms} isolation voltage (UL 1577) in DSO8 package High common mode transient immunity > 100 kV/μs 	





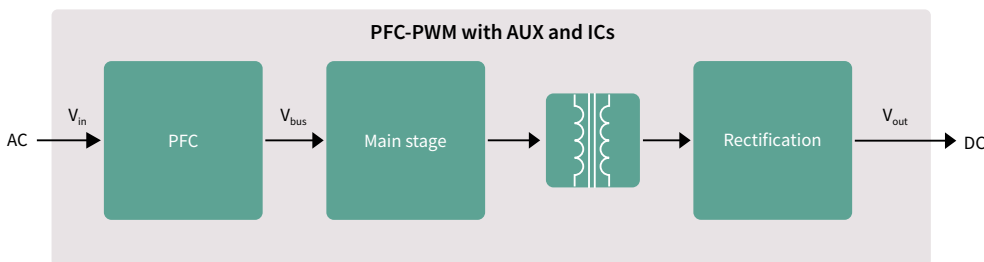
SMPS

More efficient PC power supply

The PC power market is divided into high-end gaming PC and better cost-performance sectors to achieve a better price/performance for desktop SMPS. The PC OEMs are implementing the desktop SMPS by removing the AUX power block to save the cost of having a flyback circuit.

Due to the new structure of the CPU and GPU, higher and higher peak power is needed (1.5 to 2 times higher than normal power). In addition to the needed CCM PFC, Infineon **600 V CoolMOS™ P7** and **OptiMOS™ 40 V / 60 V** offer the best price/performance and reliability to meet the design requirements, as well as to achieve the highest efficiency enabled by semiconductors available in the market.

For that CPU and GPU power-hungry gaming PCs, the **ICE3PCS0xG** CCM PFC IC provides high efficiency over the whole load range and low count of external components, besides that, the **ICE3PCS0xG** CCM PFC IC offers fast output dynamic response during load jump. In addition to PGFC IC, Infineon’s LLC ICs **ICE1HS01G/ICE2HS01G** support customers to minimize the external component count.



Recommended products

Functional block	Product category	Topology	Technology	Benefits
PFC/main stage	High voltage MOSFETs	CrCM/DCM PFC	600 V CoolMOS™ P7	<ul style="list-style-type: none"> > Best thermal performance > Rugged body diode > ESD enhancement for production line > Wide $R_{DS(on)}$ portfolio including both THD and SMD packages
			600 V CoolMOS™ P6	<ul style="list-style-type: none"> > Fast switching speed for improved efficiency and thermals > Low gate charge for enhanced light-load efficiency and low power consumption at no load condition > Optimized V_{GS} threshold for low turn-off losses
			500 V CoolMOS™ CE	<ul style="list-style-type: none"> > Optimized cost/performance > Lower transition losses versus standard MOSFET
	Boost diodes	DCM PFC	650 V Rapid 1	> Low conduction losses
		CCM/interleaved PFC	CoolSiC™ Schottky diode 650 V G6	> Low FOM $V_f \cdot Q_G$
Control ICs	CCM PFC ICs	ICE3PCS0xG	> High PFC and low THD	
Main stage	Control ICs	HB LLC ICs	650 V - ICE1HS01G-1/ ICE2HS01G	> High efficiency and low EMI
Synchronous rectification	Medium voltage diodes	HB LLC + center-tap	OptiMOS™ 40 V	> Optimized cost/performance and low thermals
			OptiMOS™ 60 V	> Layout tolerance and low thermals





SMPS

Diversify TV power supply with cost, performance, and ease of use

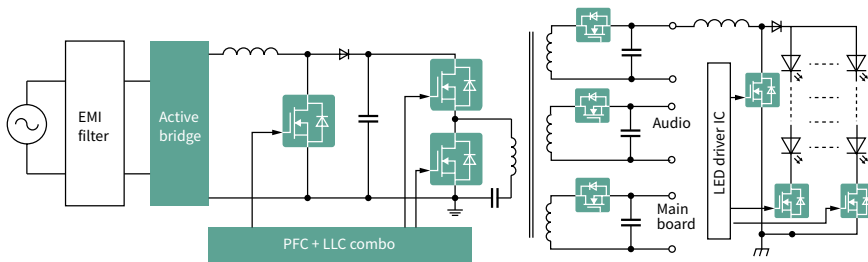
In addition to their outstanding image quality, new generation TVs gain attention for their user interface, low power consumption, and slim design. This requires the power supply unit (PSU) either to keep a low profile to maintain the slim appearance of a TV and a low thermal dissipation image or to have an external adapter. In addition, a growing number of TV manufacturers use external adapters to deliver DC power to the TV. Infineon products based on digital power technology have been designed to meet the challenges of efficiency and standby power requirements for the IoT-enabled TVs (both embedded PSU and adapter).

Thanks to digital power, our customers can reduce the number of TV power supplies by easily and flexibly adapting the digital IC parameters to different TV and screen models. Infineon's digital-based flyback controllers are ideal for low-power adapters for TVs and monitors. With digital soft switching, the adapter power density can significantly be improved.

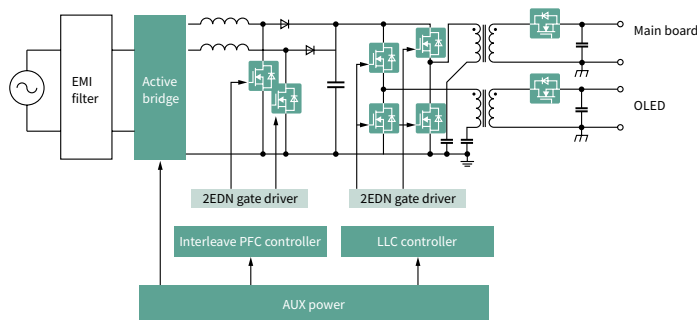
The **600 V CoolMOS™ P7** series has been developed to cover a broad spectrum of different applications where excellent performance and perfect ease of use are required. The rugged body diode enables the use of hard-switching topologies, such as power factor correction (PFC), boost, and two-transistor forward (TTF) and resonant topologies such as LLC, where the technologies lead to high efficiency in both hard-switching and resonant circuits.

For higher on-state resistance ($R_{DS(on)}$) classes, a new feature of an integrated ESD diode helps to improve the quality in manufacturing. At the same time, the low $R_{DS(on)}$ and gate charge (Q_G) enable high efficiency in the various topologies. The **600 V CoolMOS™ P7** with a wide variety of $R_{DS(on)}$ and packages on consumer-grade for TV power. Infineon developed a family of packages specifically for TV power supplies, characterized by short lead, **SOT-223** mold stopper, and wide creepage distance, which enable low-cost and reliable manufacturing for our customers.

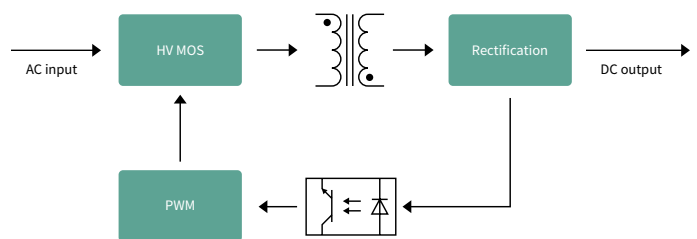
Non-AUX digital solution for large screen size



High-power solution for larger screen size



Flyback solution for small screen size

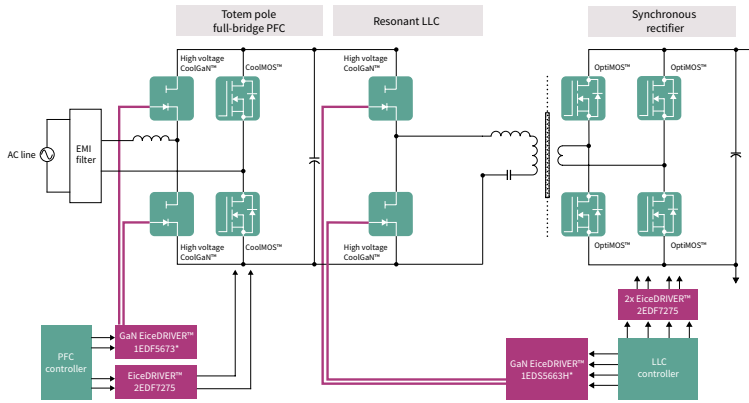


www.infineon.com/smps

For more details on the product, click on the part number, visit infineon.com or contact our [product support](#).



High-power solution for larger screen size

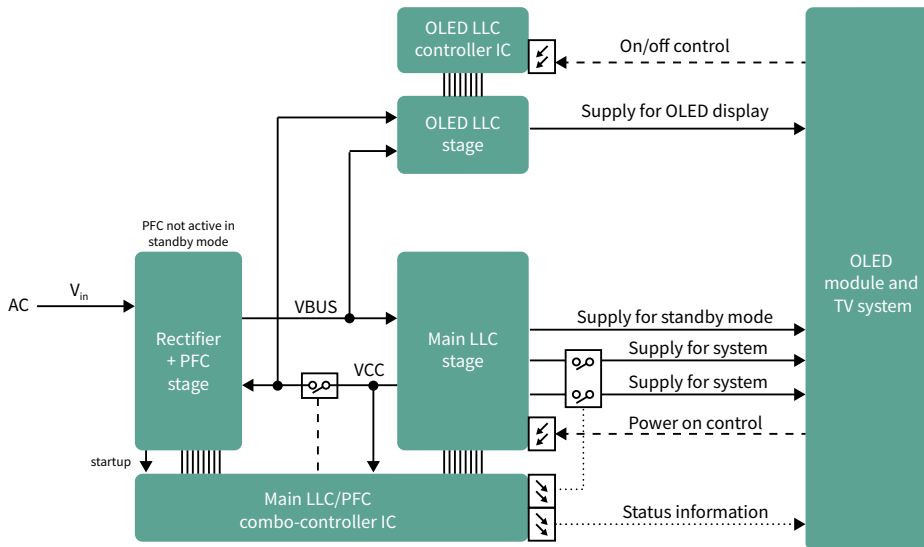


Recommended products

Functional block	Product category	Topology	Product family	Benefits
Main stage/PFC combo non-AUX	High-voltage MOSFETs	Active bridge	600 V CoolMOS™ S7	<ul style="list-style-type: none"> Body diode robustness at AC line commutation Improved thermal resistance Absolute lowest $R_{DS(on)}$ in the market Enables top-side cooling with DPAK and QPAK Ideal fit for solid-state and hybrid relays and circuit breakers
		Active bridge DCM PFC HB LLC	600 V CoolMOS™ P7	<ul style="list-style-type: none"> Fast-switching speed for improved efficiency Low gate charge for enhanced light-load efficiency and low power consumption at no-load condition Optimized V_{GS} threshold for lower turn-off losses Rugged body diode for HB LLC application
		DCM PFC, HB LLC	600 V CoolMOS™ PFD7	<ul style="list-style-type: none"> Robustness and reliability with integrated robust, fast body diode and up to 2 kV ESD protection in gate Reduced gate charge for enhanced light-load efficiency, and lower hysteresis loss
	Gate-driver IC	HB LLC	EiceDRIVER™ level-shift: 2ED2181S06F, 2ED21814S06J	<ul style="list-style-type: none"> 650 V half-bridge SOI driver with integrated bootstrap diode High-frequency switching (500 kHz)
	Control ICs	IDP2308	PFC-LLC non-AUX digital IC for TV embedded PSU	<ul style="list-style-type: none"> Low BOM count/system cost due to high integration Low standby power High system reliability Shorter development cycles and higher design and production flexibility
		IDP2303A	PFC-LLC non-AUX digital IC for TV adapter	<ul style="list-style-type: none"> Low BOM count/system cost due to high integration Low standby power Small form factor designs High system reliability
Synchronous rectification	Low-voltage MOSFETs	Synchronous rectification	OptiMOS™ 5 100-150 V StrongIRFET™ 2 100 V	<ul style="list-style-type: none"> Low conduction losses, reduced overshoot FullPAK package available
PFC	Boost diodes	DCM PFC	650 V Rapid diode	<ul style="list-style-type: none"> Low conduction losses
	Control ICs	CCM PFC ICs	ICE3PCS0xG	<ul style="list-style-type: none"> High PFC and low THD
	WBG	PFC	CoolGaN™ 600 V e-mode HEMTs	<ul style="list-style-type: none"> Highest efficiency contribution via less parasitic parameter Space saving with SMD smaller package
	Gate-driver IC	PFC	1ED44173N01B	<ul style="list-style-type: none"> Single-channel with fast, accurate ($\pm 5\%$), integrated over-current protection (OCP)
High voltage MOSFETs	Active bridge DCM PFC HB LLC		600 V CoolMOS™	<ul style="list-style-type: none"> Fast switching speed for improved efficiency Low gate charge for enhanced light load efficiency and low power consumption at no-load condition Optimized V_{GS} threshold for lower turn-off losses Rugged body diode for HB LLC application
Main stage	Control ICs	HB LLC ICs	ICE1HS01G-1/ICE2HS01G	<ul style="list-style-type: none"> High efficiency and low EMI
	WBG	HB LLC	CoolGaN™ 600 V Integrated Power Stage	<ul style="list-style-type: none"> Highest efficiency, highest power density High reliability Isolated gate driver integrated
	High-voltage MOSFETs	HB LLC	600 V CoolMOS™ P7	<ul style="list-style-type: none"> Fast-switching speed for improved efficiency Low gate charge for enhanced light-load efficiency and low power consumption at no-load condition Optimized V_{GS} threshold for lower turn-off losses Rugged body diode for HB LLC application
Auxiliary power supply	Control ICs	QR/FF flyback CoolSET™	QR CoolSET™ - ICE5QRxx80BG FF CoolSET™ - ICE5xRxxxxXX	<ul style="list-style-type: none"> Low standby power, high efficiency and robustness
Flyback	Control ICs	QR flyback	ICE2QS03G	<ul style="list-style-type: none"> Forced resonant ZVS control reduces the switching loss Multilevel protection enables the robust design Flexible firmware provides more differentiation for OEMs
	High-voltage MOSFETs	Flyback	700 V CoolMOS™ P7	<ul style="list-style-type: none"> Optimized for flyback topologies Best price competitive CoolMOS™ SJ MOSFET family Lower switching losses versus standard MOSFET Controlled dV/dt and di/dt for better EMI



OLED TV power block diagram



OLED TVs improve user experience as they can be thinner, lighter, more flexible, and consume less power than LCD/LED TVs.





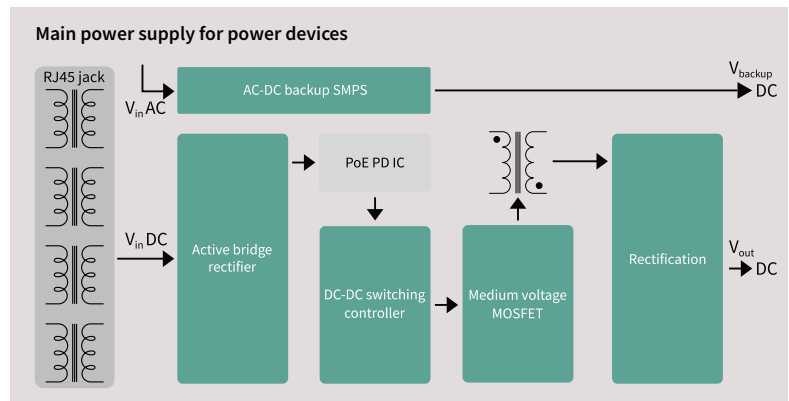
Power over Ethernet (PoE)

Designing reliable and power-efficient PoE power supplies

The latest IEEE 802.3bt standard for Power over Ethernet (PoE) not only increased the available power via PoE but also changed requirements for its power supply. Power sourcing equipment (PSE) now provides up to 100 W per port via a twisted pair of Ethernet cabling, whereas powered devices (PD) will have up to 71 W available. The adoption of this new PoE standard also largely depends on the capability to increase the power density on the PSE side while maintaining the same form factor as wide load conditions and higher power budgets change requirements. Infineon has long-standing expertise in switched-mode power supply (SMPS) designs and offers a highly reliable, rugged and efficient high-quality MOSFET portfolio for your PoE PSE and PD designs.

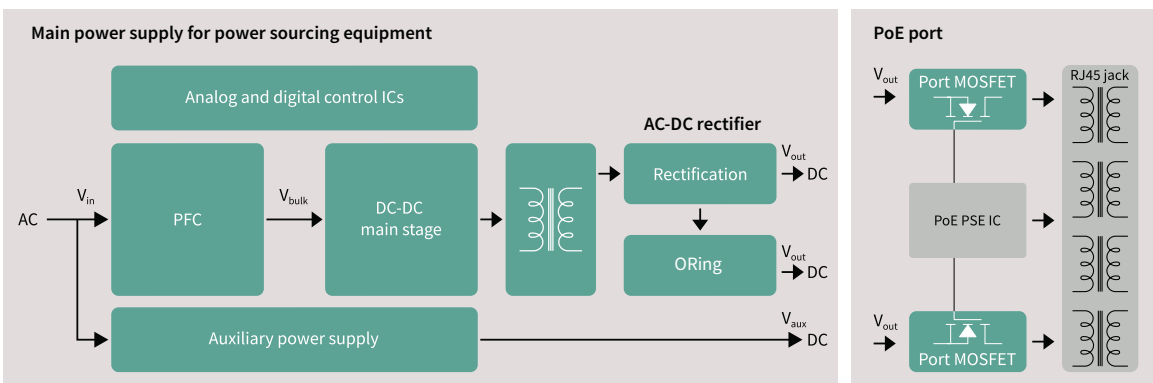
Powered devices

Powered devices (PD) include devices powered by PoE such as wireless access points, 5G small-cell radio units, IP cameras, conference systems, thin clients or public address systems. DC-DC SMPS designs need to be power efficient to maximize the available power for the PD itself with the simultaneous increase of power density. Moreover, PDs need to function reliably in the field even under potentially rough conditions for a long time.



Power sourcing equipment

Power sourcing equipment (PSE) is any equipment that is able to provide and source power on the twisted pair Ethernet cable, such as PoE switches, PoE extenders and PoE injectors. PSE needs to be highly reliable to prevent device failure and ensure uninterrupted operations of connected power devices. With IEEE 802.3bt PoE, the power demand for PoE switches significantly increases with highest efficiency over wide load conditions. For example, to fully enable a switch with twenty-four 802.3bt compliant PoE ports, up to 2.4 kW of available PoE power budget is required. This makes modifications in AC-DC SMPS designs necessary to fulfill these requirements.



Recommended product portfolio for power sourcing equipment

Functional block	Product category	Topology	Product family	Benefits
PFC	High-voltage MOSFETs	DCM, CrCM, CCM,	600 V/650 V CoolMOS™ C7 600 V CoolMOS™ P7	<ul style="list-style-type: none"> Best FOM $R_{DS(on)} \times Q_G$ and $R_{DS(on)} \times E_{oss}$ Lowest $R_{DS(on)}$ per package Lowest dependency of switching losses from $R_{g,ext}$ Low turn-off losses, low Q_{oss}, and low Q_G
	Control ICs	DCM, CrCM, CCM	ICE3PCS0xG	<ul style="list-style-type: none"> Simple external circuitry High PFC and low THD
	High-voltage GaN	CCM totem-pole	CoolGaN™ 600 V	Highest efficiency and highest power density
	GaN driver ICs	CCM totem-pole	EiceDRIVER™ 1EDF5673Fx/1EDS5663H	<ul style="list-style-type: none"> Low driving impedance (on-resistance 0.85 Ω source, 0.35 Ω sink) Input-output propagation delay accuracy: ± 5 ns Functional and reinforced isolation available
	SiC Schottky diode	DCM, CrCM, CCM	CoolSiC™ Schottky diode 650 V G5/G6	Low FOM $V_f \times Q_C$
Silicon power diode	DCM, CrCM, CCM	650 V Rapid 1/2 diodes	Low conduction losses	
DC-DC main stage	High-voltage MOSFETs	Flyback (ACF), HB LLC, FB LLC, ITTF, ZVS	600 V CoolMOS™ P7/C7/CFD7 650 V TRENCHSTOP™ F5	<ul style="list-style-type: none"> Best FOM $R_{DS(on)} \times Q_G$ and $R_{DS(on)} \times E_{oss}$ Lowest $R_{DS(on)}$ per package Lowest dependency of switching losses from $R_{g,ext}$ Low turn-off losses, low Q_{oss}, and low Q_G
	Low- and medium-voltage MOSFETs	Isolated DC-DC primary-side PWM	OptiMOS™ 60 V-200 V StrongIRFET™ 60 V-200 V Small-signal MOSFETs 60 V-200 V	<ul style="list-style-type: none"> Industry's lowest $R_{DS(on)}$ Highest system efficiency and power density Outstanding quality and reliability Reduces the need for a snubber circuit
	Gate-driver ICs	-	EiceDRIVER™ 1EDNx/1EDI/2EDN7x/ 2EDLx/2EDFx/2EDSx	Broadest portfolio in terms of isolation, channels, and protection
	Control ICs	HB LLC PWM-QF PWM-FF	ICE2HS01G ICE2QS03G/ICE5QSBG ICE5ASAG/ICE5GSAG	High efficiency and low EMI
	High-voltage GaN	Flyback (ACF), HB LLC, FB LLC, ZVS	CoolGaN™ 600 V	Highest efficiency and highest power density
	GaN driver ICs	-	EiceDRIVER™ 1EDF5673Fx/1EDS5663H	<ul style="list-style-type: none"> Low driving impedance (on-resistance 0.85 Ω source, 0.35 Ω sink) Input-output propagation delay accuracy: ± 5 ns Functional and reinforced isolation available
PFC-main stage combo	High-voltage MOSFETs	HB LLC	600 V CoolMOS™ P7	<ul style="list-style-type: none"> Low turn-off losses, low Q_{oss}, and low Q_G Fast-switching speed for improved efficiency and thermals
Synchronous rectification	Low- and medium-voltage MOSFETs	Synchronous rectification	OptiMOS™ 100 V-150 V OptiMOS™ 40 V-120 V StrongIRFET™ 40 V-100 V	<ul style="list-style-type: none"> Industry's lowest $R_{DS(on)}$ Highest system efficiency and power density Outstanding quality and reliability Reduces the need for a snubber circuit
	Gate-driver ICs	-	EiceDRIVER™ 1EDNx/1EDI/2EDN7x/ 2EDLx/2EDFx/2EDSx	Broadest portfolio in terms of isolation, channels, and protection
ORing	Low- and medium-voltage MOSFETs	ORing MOSFETs	OptiMOS™ 25 V-200 V	<ul style="list-style-type: none"> Industry's lowest FOM ($R_{DS(on)} \times Q_G$) Highest system efficiency and power density
Auxiliary power supply	AC-DC integrated power stage	Fixed-frequency (FF) Quasi resonant (QR)	CoolSET™ ICE5Rx80AG CoolSET™ ICE5QRxx80BG	<ul style="list-style-type: none"> Quasi-resonant switching operation for high efficiency and low EMI signature Fixed-frequency switching operation for ease of design
Analog and digital control IC	32-bit XMC™ industrial microcontroller based on Arm® Cortex®-M	-	32-bit XMC1000 32-bit XMC4000	<ul style="list-style-type: none"> Flexibility, HR PWM, digital communication Arm® based standard MCU family and wide family
Port MOSFET	Medium-voltage MOSFETs	-	OptiMOS™ 100 V StrongIRFET™ 100 V	<ul style="list-style-type: none"> Widest SOA quality and outstanding reliability Lowest $R_{DS(on)}$

Recommended product portfolio for powered devices

Functional block	Product category	Topology	Product family	Benefits
Active bridge rectifier	Medium-voltage MOSFETs	Active bridge rectifier	OptiMOS™ 100 V-150 V StrongIRFET™ 100 V	<ul style="list-style-type: none"> Industry's lowest $R_{DS(on)}$ Highest system efficiency and power density
Synchronous rectification	Low- and medium-voltage MOSFETs	Synchronous rectification	OptiMOS™ 25 V-100 V OptiMOS™ 40 V IR MOSFET™ 20 V-100 V	<ul style="list-style-type: none"> Industry's lowest $R_{DS(on)}$ Highest system efficiency and power density Outstanding quality and reliability
DC-DC switching stage	Medium-voltage MOSFETs	Flyback (ACF)	OptiMOS™ 100 V-150 V	<ul style="list-style-type: none"> Low conduction losses, reduced overshoot Logic level switching
AC-DC backup SMPS	High-voltage MOSFETs	Flyback (ACF)	600 V to 950 V CoolMOS™ P7	<ul style="list-style-type: none"> Fast-switching speed for improved efficiency and thermals Reduced gate charge for enhanced light load efficiency Optimized gate-to-source voltage (V_{GS}) threshold for lower turn-off losses
	AC-DC integrated power stage	Fixed-frequency (FF) Quasi resonant (QR)	CoolSET™ 800 V ICE5GRxx80AG, 800 V ICE5ARxx80BZS, 700 V ICE5ARxx70AG, 700 V ICE5ARxx70BZS CoolSET™ 700 V ICE5QRxx70A(Z) (G), 800 V ICE5QRxx80A(Z)(G), 800 V ICE5QRxx80BG	<ul style="list-style-type: none"> Quasi-resonant switching operation for high efficiency and low EMI signature Fixed-frequency switching operation for ease of design



Fast/wireless EV charging

Advanced solutions for DC EV charging

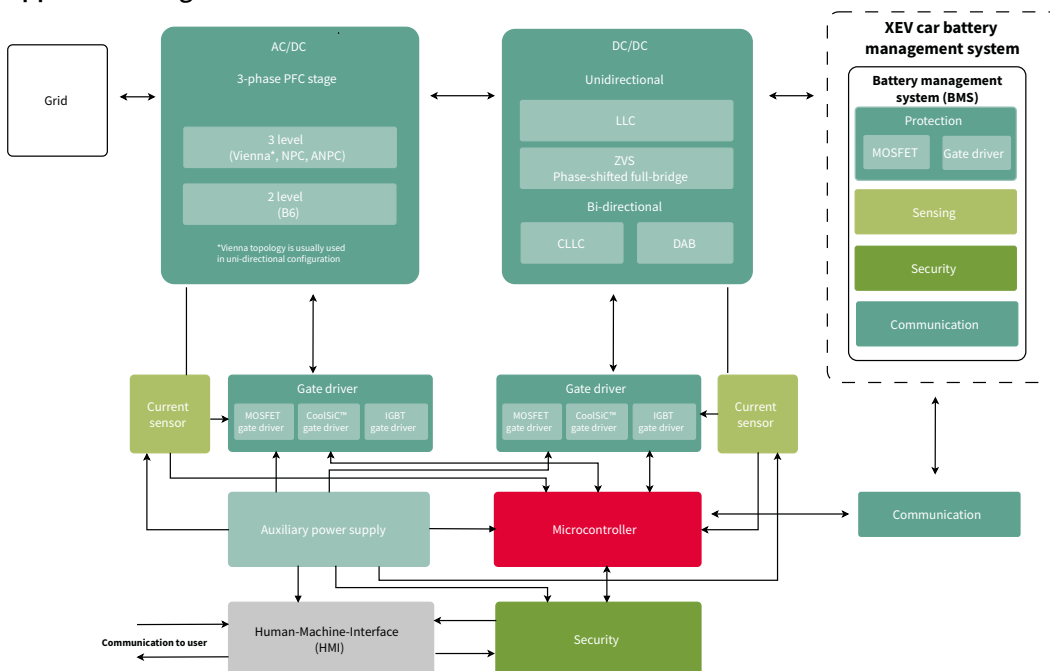
As e-mobility increasingly becomes part of daily life, there is a growing need for more efficient charging solutions. Fast electric vehicle (EV) charging stations equipped with powerful DC chargers are the answer. DC EV chargers are an attractive choice because they allow much faster charging than the standard AC EV ones that many EV owners have at home. Today, a DC charger with 150 kW can put a 200 km charge on an EV in around 15 minutes. As fast charging and battery technologies continue to evolve and improve in the near future, experts anticipate the charging time to drop even further.

As a market leader and the global front-runner in power electronics, Infineon enables you to bring energy-efficient DC EV charger designs to life, with our highly efficient components and in-depth technical support. We cover power ranges from kilowatts to megawatts in our broad portfolio of high-quality power semiconductors, microcontrollers, gate drivers, security, safety, and authentication solutions. Our CoolMOST™ and CoolSiC™ MOSFETs, together with EiceDRIVER™ gate drivers, for example, are ideal in a wide range of DC EV charging designs. Their matchless advantages include high-frequency operation, high power density and reduced switching losses, allowing you to reach high efficiency levels in any battery charging system.

Infineon offering and customer benefits

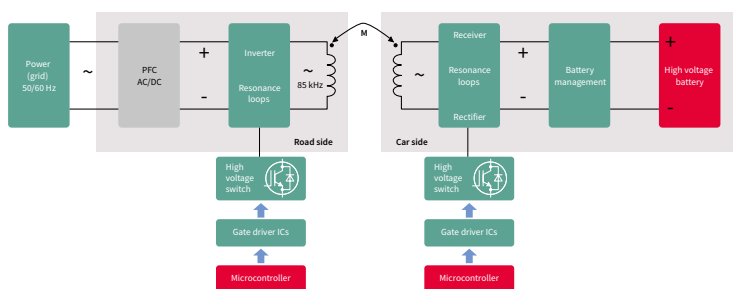
Infineon offering	Customer benefits
<ul style="list-style-type: none"> > CoolMOST™ and CoolSiC™ discrete and power module semiconductor solutions 	<ul style="list-style-type: none"> > Highly efficient power conversion for reducing system size by up to 50 percent and reduced cooling efforts > Scalability across various platforms for upgrading system power charger levels on demand
<ul style="list-style-type: none"> > EiceDRIVER™ gate driver and XMC™ microcontroller 	<ul style="list-style-type: none"> > Safe drive, advanced protection and ease of control
<ul style="list-style-type: none"> > XENSIV™ magnetic current sensor 	<ul style="list-style-type: none"> > Bidirectional high precision current sensing
<ul style="list-style-type: none"> > OPTIGA™ 	<ul style="list-style-type: none"> > Identity protection against fake devices and protection against the manipulation of the data
<ul style="list-style-type: none"> > Power supply ICs (LDO, DC-DC) > Communication (CAN transceiver) 	<ul style="list-style-type: none"> > Robust quality and easy to use implementation shorten time to market and guarantee long operation

Application diagram



Wireless charging

Wireless methods for power transfer to charge the batteries of electric vehicles are gaining attention. Several concepts for wireless power transfer systems have been proposed, which in general seek to compensate the significant stray inductances on primary and secondary sides of the magnetic couplers by adaptive resonant methods. At the end of 2013, SAE announced a new standard for inductive charging which defined three power levels at 85 kHz. Infineon's CoolMOS™ C7, C7, and P7 series along with TRENCHSTOP™ 5 IGBTs, CoolSiC™ diodes, and EiceDRIVER™ gate-driver ICs are perfectly suited for driving inductive power transfer systems on the road side which operate inside the 80 to 90 kHz band.



Infineon's solution recommendation for DC EV charging system blocks

Our solutions have been designed for harsh environmental conditions and long lifetime thanks to Infineon's deep understanding of quality requirements. Take the next step by exploring our product portfolio for DC EV charging systems.

PFC stage (3-phase input)

Product category	Product family	Product	Additional information	
High-voltage MOSFET/ SiC MOSFET/IGBT	650 V CoolMOS™ C7	IPW65R019C7	650 V, 19 mΩ, TO-247	
	600 V CoolMOS™ C7	IPW60R017C7	600 V, 17 mΩ, TO-247	
	600 V CoolMOS™ P7	IPW60R024P7	600 V, 24 mΩ, TO-247	
		IPW60R037P7	600 V, 37 mΩ, TO-247	
		CoolSiC™ MOSFET 650 V	IMW65R027M1H	650 V, 27 mΩ, TO-247-3
			IMZ65R027M1H	650 V, 27 mΩ, TO-247-4
	IMWA65R027M1H		650 V, 48 mΩ, TO-247-3	
	IMZA65R027M1H		650 V, 48 mΩ, TO-247-4	
	650 V TRENCHSTOP™ 5 H5	IKW50N65EH5/IKZ50N65EH5	650 V, 50 A, TO-247-3/4	
		IKW75N65EH5/IKZ75N65EH5	650 V, 75 A, TO-247-3/4	
	650 V HighSpeed H3 Easy hybrid module	FS3L50R07W2H3F_B11	650 V, 50 A, Easy 2B, three-level	
	650 V TRENCHSTOP™ 5 H5 Easy hybrid module	FS3L40R07W2H5F_B11	650 V, 40 A, Easy 2B, three-level	
		FS3L40R07W2H5F_B67	650 V, 40 A, Easy 2B, three-level	
		650 V TRENCHSTOP™ 5 S5 Easy hybrid module	F3L200R07W2S5FP_B55	650 V, 200 A, Easy 2B, three-level
	F3L200R07W2S5FP_B56		650 V, 200 A, Easy 2B, three-level	
	F3L200R07W2S5F_B11		650 V, 200 A, Easy 2B, three-level	
	650 V TRENCHSTOP™ 5 S5 Easy module	F3L200R07W2S5_B11	650 V, 200 A, Easy 2B, three-level	
	CoolSiC™ MOSFET 1200 V	IMW120R045M1/IMZ120R045M1	1200 V, 45 mΩ, TO-247-3/4	
MW120R030M1H/IMZ120R030M1H		1200 V, 30 mΩ, TO-247-3/4		
CoolSiC™ Easy modules 1200 V	F3L11MR12W2M1_B74	1200 V, 11 mΩ, Easy 2B, ANPC		
	FF6MR12W2M1(P)_B11*	1200 V, 6 mΩ, Easy 2B, half-bridge		
	FF8MR12W2M1(P)_B11*	1200 V, 8 mΩ, Easy 2B, half-bridge		
	FF11MR12W1M1(P)_B11*	1200 V, 11 mΩ, Easy 1B, half-bridge		
	FF23MR12W1M1(P)_B11*	1200 V, 23 mΩ, Easy 1B, half-bridge		
	FS45MR12W1M1_B11	1200 V, 45 mΩ, Easy 1B, six-pack		
	SiC diodes	CoolSiC™ Schottky diodes 1200 V G5	IDW15G120C5B/IDWD15G120C5	1200 V, 15 A, TO-247-3/2
IDW20G120C5B/IDWD20G120C5			1200 V, 20 A, TO-247-3/2	
IDW30G120C5B/IDWD30G120C5			1200 V, 30 A, TO-247-3/2	



HV DC-DC main stage

Product category	Product family	Product	Additional information	
High-voltage MOSFET/ SiC MOSFET	600 V CoolMOS™ CFD7/CSFD	IPW60R018CFD7	600 V, 18 mΩ, TO-247	
		IPW60R024CFD7	600 V, 24 mΩ, TO-247	
		IPW60R037CSFD	600 V, 37 mΩ, TO-247	
		IPW60R040CFD7	600 V, 40 mΩ, TO-247	
	600 V CoolMOS™ C7	IPW60R040C7	600 V, 40 mΩ, TO-247	
	650 V CoolMOS™ CFD7	IPW65R018CFD7*/IPZA65R018CFD7	650 V, 29 mΩ, TO-247-3/4	
		IPW65R029CFD7/IPZA65R029CFD7	650 V, 29 mΩ, TO-247-3/4	
		IPW65R041CFD7	650 V, 41 mΩ, TO-247	
	CoolSiC™ SiC MOSFET 650 V	IMW65R027M1H/IMZA65R027M1H	650 V, 27 mΩ, TO-247-3/4	
		IMW65R048M1H/IMZA65R048M1H	650 V, 48 mΩ, TO-247-3/4	
	CoolSiC™ SiC MOSFET 1200 V	IMW120R045M1/IMZ120R045M1	1200 V, 45 mΩ, TO-247-3/4	
		IMW120R030M1H/IMZ120R030M1H	1200 V, 30 mΩ, TO-247-3/4	
	CoolSiC™ Easy module 1200 V	FF6MR12W2M1(P)_B11*	1200 V, 6 mΩ, Easy 2B, half-bridge	
		FF8MR12W2M1(P)_B11*	1200 V, 8 mΩ, Easy 2B, half-bridge	
		FF11MR12W1M1(P)_B11*	1200 V, 11 mΩ, Easy 1B, half-bridge	
		FF23MR12W1M1(P)_B11*	1200 V, 23 mΩ, Easy 1B, half-bridge	
		FF45MR12W1M1(P)_B11*	1200 V, 45 mΩ, Easy 1B, half-bridge	
		F4-45MR12W1M1(P)_B76*	1200 V, 45 mΩ, Easy 1B, four-pack	
		F4-23MR12W1M1(P)_B76*	1200 V, 23 mΩ, Easy 1B, four-pack	
		F4-15MR12W2M1(P)_B76*	1200 V, 15 mΩ, Easy 2B, four-pack	
F4-11MR12W2M1(P)_B76*		1200 V, 11 mΩ, Easy 2B, four-pack		
FS45MR12W1M1_B11		1200 V, 45 mΩ, Easy 1B, sixpack		
SiC diodes output rectification diodes		CoolSiC™ Schottky diode 1200 V G5	IDW15G120C5B/IDWD15G120C5	1200 V, 15 A, TO-247-3/2
			IDW20G120C5B/IDWD20G120C5	1200 V, 20 A, TO-247-3/2
	IDW30G120C5B/IDWD30G120C5		1200 V, 30 A, TO-247-3/2	
	CoolSiC™ Schottky diode 1200 V G5 rectifier bridge modules	DDB2U20N12W1RF(P)_B11*	1200 V, 20 A, Easy 1B, rectifier bridge	
		DDB2U40N12W1RF(P)_B11*	1200 V, 40 A, Easy 1B, rectifier bridge	
		DDB2U60N12W1RF(P)_B11*	1200 V, 60 A, Easy 1B, rectifier bridge	
	CoolSiC™ Schottky diode 650 V G5	IDW12G65C5	650 V, 12 A, TO-247	
		IDW16G65C5	650 V, 16 A, TO-247	
		IDW20G65C5	650 V, 20 A, TO-247	
		IDW20G65C5B	650 V, 10 A, TO-247	
IDW24G65C5B		650 V, 24 A, TO-247		
IDW30G65C5		650 V, 30 A, TO-247		
IDW32G65C5B		650 V, 32 A, TO-247		
IDW40G65C5		650 V, 40 A, TO-247		
CoolSiC™ Schottky diode 650 V G6	IDW40G65C5B	650 V, 40 A, TO-247		
	IDH20G65C6	650 V, 20 A, TO-220		
	IDH16G65C6	650 V, 16 A, TO-220 real 2-pin		
	IDH12G65C6	650 V, 12 A, TO-220 real 2-pin		
	IDH10G65C6	650 V, 10 A, TO-220 real 2-pin		
	IDH08G65C6	650 V, 8 A, TO-220 real 2-pin		
	IDH06G65C6	650 V, 6 A, TO-220 real 2-pin		
	IDH04G65C6	650 V, 4 A, TO-220 real 2-pin		
	IDDD20G65C6	650 V, 20 A, DDPK		
	IDDD16G65C6	650 V, 16 A, DDPK		
	IDDD12G65C6*	650 V, 12 A, DDPK		
	IDDD10G65C6	650 V, 10 A, DDPK		
IDDD08G65C6	650 V, 8 A, DDPK			
IDDD06G65C6	650 V, 6 A, DDPK			
IDDD04G65C6	650 V, 4 A, DDPK			



Gate driver and galvanic isolation

Product category	Product family	Product	Additional information
Gate-driver ICs	EiceDRIVER™ (non-isolated)	1EDN family, 2EDN family	> Single-channel/dual-channel, non-isolated low-side gate driver ICs
		1ED4417xN01B	> Single-channel with fast, accurate ($\pm 5\%$), integrated overcurrent protection (OCP)
		2ED24427N01F	> Dual-channel, 10 A low-side gate driver in DSO8 package with power-pad > Integrated UVLO and enable (EN) function > Suitable for high frequency, high power operation w/BOM savings
	EiceDRIVER™ level-shift gate driver	2ED2184S06F 2ED2110S06M	> 650 V half-bridge gate driver for IGBTs and MOSFETs with SOI technology > Integrated bootstrap diode > High-frequency switching (500 kHz) and superior – VS transient voltage immunity
		IRS2186S, IRS21864S	> 600 V, 4 A high- and low-side gate driver
		IR2114SS, IR2214SS	> 600 V/1200 V half-bridge gate driver with DESAT, 2L SRC, soft-SD
		IR2213S	> 1200 V high- and low-side gate driver
	EiceDRIVER™ 2EDF/S isolated gate driver	2EDF7175F, 2EDF7275F	> Dual-channel functional isolated (1,5 kV)
		2EDS8265H, 2EDS8165H	> Dual-channel reinforced (safe) isolated (6 kV)
	EiceDRIVER™ compact isolated gate driver	1EDI20I12MF, 1EDI20N12AF, 1EDI60N12AF, 1EDI60I12AF	> 1200 V single-channel, cost-effective functional isolated driver with Miller clamp/separate output
		1ED3122MU12H, 1ED3124MU12H, 1ED3125MU12F, 1ED3124MU12F	> 5.7 kV / 3 kV single-channel isolated driver with Miller clamp or separate output, UL 1577 certification
		1ED3491MU12M, 1ED3890MU12M	> 5.7 kV single-channel isolated driver with analog/digital configurability, DESAT, Miller clamp, and Soft-off, UL 1577 certification
EiceDRIVER™ enhanced isolated gate driver	1ED3321MC12N	> 1200 V, single-/dual-channel, functional isolated driver with DESAT and Miller clamp	

Current sensor

Product category	Product family	Product	Additional information
Magnetic current sensor	XENSIV™	TLI4971-A120T5-E0001	–
		TLI4971-A120T5-U-E0001	UL certified

Microcontroller

Product category	Product family	Product	Additional information
Microcontroller	XMC™	XMC1400 family (PFC stage)	Arm® Cortex® M0 based microcontroller
		XMC4500/XMC4700 (HV DC-DC/PWM stage)	Arm® Cortex® M4F based microcontroller
	AURIX™	TC26X/TC27X TC36X/TC37X	TriCore™ AURIX™ 32-bit microcontroller HSM (hardware secure module) full EVITA compliance

Internal power supply

Product category	Product family	Product	Additional information
AC/DC power conversion	CoolSET™ 5 QR/FF flyback	ICE5QR0680BG	800 V, 42 W, 710 mΩ, PG-DSO-12
		ICE5AR0680AG	800 V, 42 W, 710 mΩ, PG-DSO-12
	5 th generation PWM controllers and CoolMOS™ P7	ICE5QSBG and IPP80R360P7	800 V, 360 mΩ, TO-220
		ICE5QSBG and IPA95R450P7	950 V, 450 mΩ, TO-220 FP
	CoolMOS™ HV SJ MOSFETs	IPN95R1K2P7	950 V, 450 mΩ, SOT-223
		IPN80R1K4P7	800 V, 1.4 Ω, SOT-223
DC-DC power conversion	Low power LDOs	TLS805/TLS810/TLS820	50 mA/100 mA/200 mA ultralow quiescent current linear voltage regulator with a wide input voltage range
		TLS202	150 mA LDO in a small-footprint package
		TLS203/TLS205	300/500 mA low noise LDO
		TLS850	500 mA wide input voltage LDO
	Buck converter	TLE8366E	1.9 A DC-DC buck converter
	Safety PMIC for AURIX™ MCU	TLF35584/TLF35585	Multichannel power supply IC, optimized for AURIX™ MCU, up to ASIL-D rated





Authentication and encryption

As embedded systems are increasingly becoming targets of attackers, Infineon offers OPTIGA™ - a turnkey security solution.

Product category	Product family	Product	Additional information
Security	OPTIGA™ Trust B	SLE95250000XTSA1	Asymmetric ECC authentication with individual certificate key pair and an extended temperature range of -40 to 110°C
	OPTIGA™ Trust TPM	SLB9670XQ2.0	Fully TCG TPM 2.0 standard compliant module with the SPI interface
	SLC37	SLC37ESA2M0, SLI97CSIFX1M00PE	New class of performance and security cryptocontroller adhering to CC EAL6+ high targeted and EMVCo targeted certifications for payment and eSIM applications

Communication

Product category	Product family	Product	Additional information
CAN transceiver	Automotive CAN transceiver	TLE9350, TLE9351, TLE9252	High-speed automotive CAN transceiver with 5 Mbps

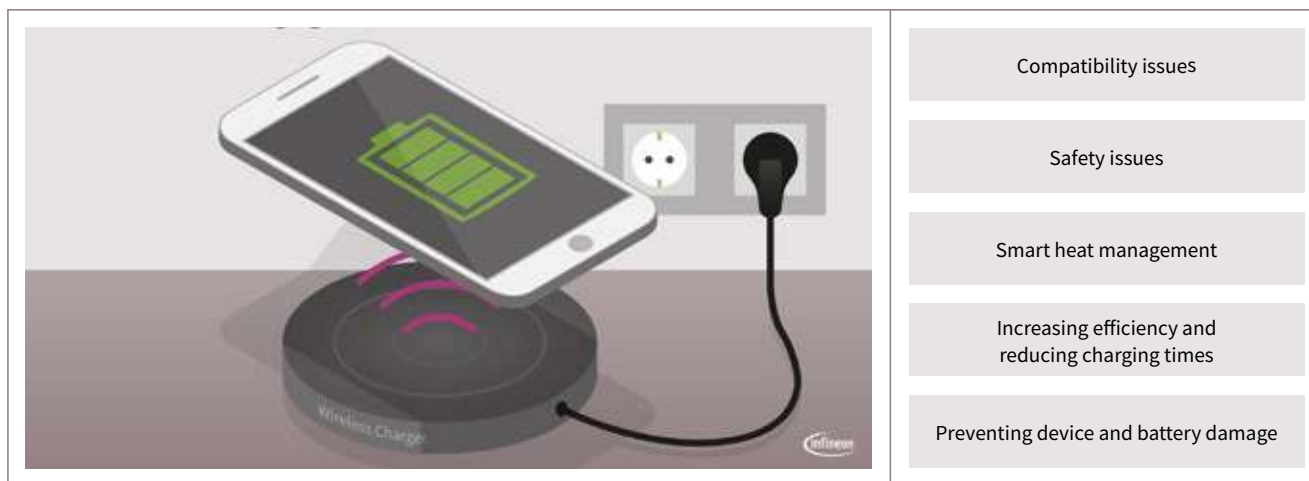




Wireless charging for consumer/industrial

Cost-effective and secure system solutions for consumer and industrial applications

Over the last years, wireless charging has gained more and more traction in the market and is expected to heavily influence our daily lives. Infineon offers a broad portfolio of efficient, high-quality products and solutions to serve the key requirements of the dominant market standards: inductive (Qi (WLC)) and resonant (AirFuel). Whether a smartphone (e.g., at home or in the car), a handful of wearables, a power tool, a laptop, kitchen appliance or a service robot is being charged, Infineon's components and solutions help overcome a wide range of common wireless power transfer challenges for consumer and industrial wireless charging designs. Wireless charging is a complex subject that requires in-depth system knowledge and expertise. Designers have to understand antennas and their interactions with surrounding structures. To successfully transfer power wirelessly, the power delivery has to be precisely controlled. We can help customers master all design challenges, including:



Applications that benefit from wireless charging



Infineon's key enabling products for consumer and industrial solutions






- > Power MOSFETs – OptiMOS™, StrongIRFET™ and CoolMOS™
- > Gate-driver ICs – EiceDRIVER™: MOTIX™ three-phase gate-driver IC
- > P-channel and N-channel small signal power MOSFETs
- > XMC™, XMC™-SC (including software IP), AURIX™, PSoC™
- > Wireless charging ICs (including software IP)
- > 32-bit microcontrollers – XMC™, AURIX™, PSoC™
- > USB-C and Power Delivery (PD)
- > Authentication - OPTIGA™ Trust Charge
- > PSoC™ 4 MCU with AIROC™ Bluetooth LE
- > AIROC™ Bluetooth® LE and Bluetooth®
- > PWM/flyback controllers and integrated power stage ICs – CoolSET™
- > GaN GIT HEMT - CoolGaN™
- > Voltage and buck regulators for component and bridge supply
- > Reverse Conducting IGBTs R5/R6 - 650 V

www.infineon.com/wirelesscharging

For more details on the product, click on the part number, visit infineon.com or contact our [product support](#).

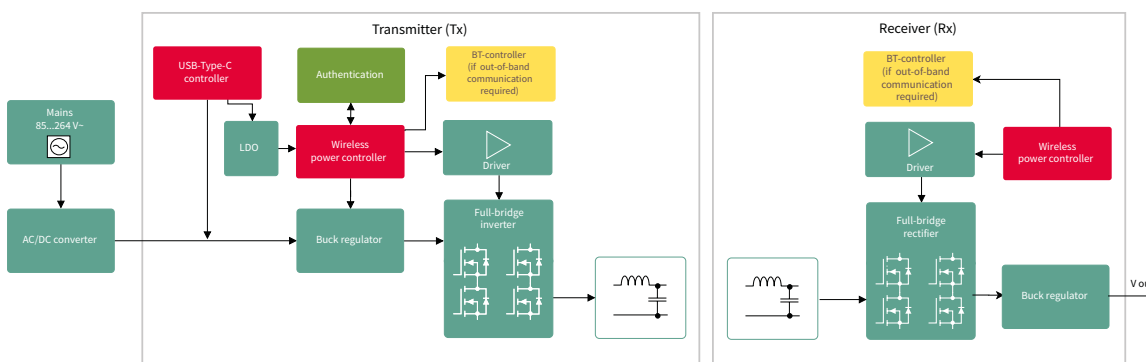


Key benefits when choosing Infineon

				
Faster time-to-market	Collaboration with partners	In-depth system expertise	Inductive and resonant	Quality
Powerful and cost-effective system solutions that ensure smart, secure and high-performance wireless charging for a range of applications	Ready-to-go system solutions including software supported by our partners (plural)	We draw on our in-depth knowledge and expertise to help to solve wireless power challenges	Addressing both standards (inductive and resonant) with components or system solutions	We help you master your design challenges with leading silicon technology and upcoming new technologies

Inductive wireless charging for consumer and industrial

Example: >30 W inductive system solution



Key components for inductive designs for consumer and industrial

	Sub-application	Products
Wireless charging product portfolio for inductive	MOSFETs*	30 V BSC0996NS , BSC0993ND , BSZ0909NS , BSZ0909ND , BSZ0910ND , IRFHS8342 40 V BSZ097N04LS , BSZ063N4LS6 , BSC035N04LSG , BSC072N04LD 60 V BSZ099N06LS5 , BSZ065N06LS5 , BSZ040N06LS5 80 V IRL80HS120 100 V IRL100HS121 , BSZ146N10LS5 , BSZ096N10LS5
	Driver IC	WCDSC006 , PX3519 , IRS2301S , 1EDN7512B , 1ED44173N01B , 1EDI60N12AF , 2EDN7524G , IRS2007M , 2ED2182S06F , 6EDL7141
	Wireless Charging IC	WLC1115-68LQXQ transmitter IC (incl. software IP)
	Microcontroller	XMC™ , AURIX™ XMC™-SC (including software IP), PSoC™ family 4
	Voltage regulators	TLE4296G V33 , TLF50211EL , TLE8366EV
	MCU + BLE Controller	PSoC™ 4 Bluetooth® Low Energy (Bluetooth® Smart): CY8C4248LQI-BL573 (QFN)
	AIROC™ Bluetooth® LE and Bluetooth®	CYW20719B2 / CYW20721B2
	USB-C and power delivery (PD)	PAG1: Power Adapter Generation 1 , EZ-PD™ CCG3PA , EZ-PD™ CCG3 , EZ-PD™ PMG1 , EZ-PD™ Barrel Connector Replacement (BCR)
	Small-signal MOSFETs	See the portfolio on our webpage small-signal MOSFETs
	Authentication	SLS32AIA020Ux - OPTIGA™ Trust Charge (USON10 3 x 3 package)
Reverse conducting IGBTs R5/R6 - 650 V	Package TO-247 IHW30N65RS (30 A), IHW40N65R5 (40 A), IHW50N65R5 (50 A)	
Reference designs and kits	REF_WLC_TX15W_C1 - 15 W Qi power transmitter solution (on demand)	

* Explore more MOSFET offerings at our webpage.



15W Qi transmitter solution with Infineon’s Wireless Charging IC WLC1115

The REF_WLC_TX15W_C1 MP A11 Power Transmitter solution board, is highly integrated, Qi v1.3 compliant Extended Power Profile (EPP) transmitter design. This reference board is powered using USB PD 3.0-compliant USB-C power adapter and can support DC connector input of 9V-20V through firmware option. Combined with the OptiMOS™ power MOSFETs and OPTIGA™ Trust Charge, this solution offers a highly efficient and secure wireless charging platform. The solution board supports firmware upgrades using USB-C or I²C interface along with the included dongle and the Wireless Charging Configuration Graphical User Interface (GUI). There are additional options provided for firmware updates using Serial Wire Debug (SWD) while using the ModusToolBox™ and Programmer.



Key components

- > Wireless charging IC – [WLC1115-68LQXQ](#)
- > OptiMOS™ MOSFETs – [BSZ0910LS](#)
- > OPTIGA™ Trust Charge – [SLS32AIA020Ux](#)
- > Small Signal MOSFETs



Features and benefits

Key features
> Qi v1.3 compliant transmitter
> UDB-PD/legacy protocol input >9 V _{DC}
> Peak system efficiency >83%
> Typical active charging area ±10 mm
> Serial communication ports: I ² C, UART
> Programming, EXT clock option
> Foreign object detection with LEDs
> Configurable using wireless charging GUI

Key benefits
> Compliant Qi stack with library support
> Programmable solution for evolving Qi standard
> Zero voltage switching for high efficiency
> Configurable gate drivers for EMC
> Configurable thresholds for FOD, protection

Complimentary

- > PAG1S Adaptor [Reference Designs](#)

Explore more details:

www.infineon.com/REF_WLC_TX15W_C1

www.infineon.com/wirelesscharging

For more details on the product, click on the part number, visit infineon.com or contact our [product support](#).

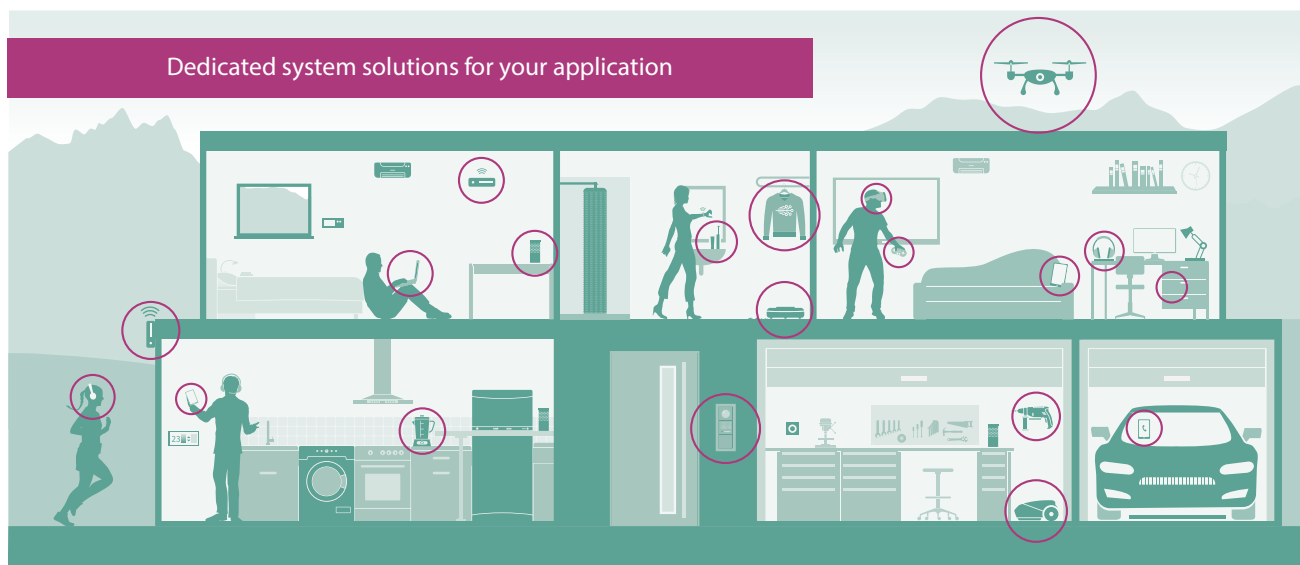


Key components for resonant designs for consumer and industrial

Wireless charging product portfolio for resonant	Sub-application	Products
	MOSFETs**	30 V
40 V		IRLML0040
60 V		IRLML0060
80 V		IRL80HS120
100 V		IRL100HS121
150 V		BSZ900N15NS3, BSZ520N15NS3
200 V		BSZ900N20NS3, BSZ22DN20NS3, BSZ12DN20NS3
250 V		BSZ42DN25NS3
Driver ICs	EiceDRIVER™ 2EDL71*, 1EDN7512, 2EDN7524, 2ED2182S06F, 2ED24427N01F, 1EDI60N12AF, 1ED44173N01B EiceDRIVER™ for CoolGa™ GIT HEMTs 1EDS5663H, 1EDF5673F, 1EDF5673K	
GaN e-mode HEMTs	CoolGa™ GIT HEMT 600 V IGT60R190D1S (HDSOF-8-3)	
Microcontroller	XMC™, AURIX™ MCU and wireless power controller XMC™-SC (including software IP), PSoC™ family 4	
MCU + BLE Controller	PSoC™ 4 Bluetooth® Low Energy (Bluetooth® Smart): CY8C4248LQI-BL573 (QFN)	
AIROC™ Bluetooth® LE & Bluetooth®	CYW20719B2 / CYW20721B2	
USB-C and power delivery (PD)	PAG1: Power Adapter Generation 1, EZ-PD™ CCG3PA, EZ-PD™ CCG3, EZ-PD™ PMG1, EZ-PD™ Barrel Connector Replacement (BCR)	
Voltage regulators	TLE4296G V33, TLE4296G V50, TLE4296-2G V33, TLE4296-2G V50, TLF50211EL, TLE8366EV, TLE8366EV33, TLE8366EV50	
Small signal MOSFETs	See the portfolio on our webpage small-signal MOSFETs	

MOSFETs, driver IC, μCs are on the website: www.infineon.com/wirelesscharging

Are you searching for a turnkey solution for your application?



Wireless power becomes an important part of our connected lifestyles. Infineon puts an emphasis on the development of the next-generation technologies and standards that allow easy charging without the limitation of wires. What started out with phones will quickly evolve - applications such as tablets, laptops, robots, drones, power tools, handheld gaming devices, medical devices, infrastructure, and applications around Industry 4.0 will have wireless charging included. For more information, please get in contact with us via www.infineon.com/support to get your customized system solution.

www.infineon.com/wirelesscharging

*coming soon

** Explore more MOSFET offerings at our [webpage](#).

For more details on the product, click on the part number, visit infineon.com or contact our [product support](#).





USB-C chargers and adapters

Outstanding solution offering for mobile chargers and laptop adapters

USB-C Power Delivery (USB-PD) has emerged as the standard for unified and fast charging and as power supplies for all kind of mobile devices such as smartphones, tablets, laptops, smart speakers, TVs and others.

USB-C simplifies the end user experience and together with the introduction of GaN HEMTs and increasing switching frequencies it enables compact and light-weight chargers and adapters.

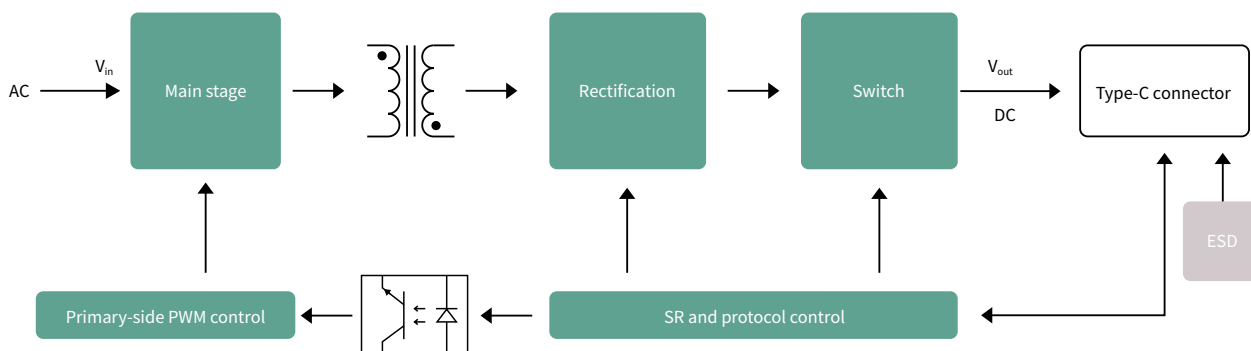
Infinion offers a leading portfolio of power controllers, flexible and programmable USB Type-C controllers, high-voltage CoolMOS™ superjunction MOSFETs, OptiMOS™ medium- and low-voltage MOSFETs as well as CoolGaN™ discretes and integrated power stages.

Our offering of [USB-C reference and demo designs](#) is based on quasi-resonant (QR), ZVS and hybrid flyback operation, for different power levels and power density requirements and for single and dual-output chargers.

Features and benefits

Key features	Key benefits
<ul style="list-style-type: none"> Ready-to-use reference designs Comprehensive offering of power and protocol controllers, high- and low-voltage switches and TVS diodes allow customers to source all components from a single supplier Highly integrated solutions 	<ul style="list-style-type: none"> Ease-of-use and reduced complexity
<ul style="list-style-type: none"> Smallest form factor, low $R_{DS(on)}$ and low parasitic capacitances, Kelvin-source engaged ThinPAK and PQFN packages Digital controllers enabling high-efficiency designs 	<ul style="list-style-type: none"> High-efficiency designs
<ul style="list-style-type: none"> Fully programmable USB-C PD port controllers Configurability and upgradability 	<ul style="list-style-type: none"> Differentiation and short time to market
<ul style="list-style-type: none"> Infinion has the largest installed in-house power semiconductor capacity with 12" wafer production for discretes for maximum supply security Dedicated supply chain programs to secure capacity and enable flexibility to demand fluctuations 	<ul style="list-style-type: none"> Secured supply chain

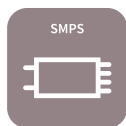
Application diagram



Recommended products

Functional block	Product category	Topology	Product family	Benefits
Flyback converter	High-voltage MOSFETs and HEMTs	Quasi-resonant flyback (QR)	600 V/700 V/800 V CoolMOS™ P7	<ul style="list-style-type: none"> Fast switching speed for improved efficiency and thermals Reduced gate charge for enhanced light-load efficiency Optimized gate-to-source voltage (V_{GS}) threshold for lower turn-off losses
			600 V/650 V CoolMOS™ C7	<ul style="list-style-type: none"> High switching performance enabling highest efficiency Ease of use level high Optimized devices for highest efficiency switched-mode power supplies
		Active-clamp flyback (ACF) Hybrid flyback (HFB)	600 V CoolMOS™ PFD7	<ul style="list-style-type: none"> Robustness and reliability with integrated robust fast body diode and up to 2 kV ESD protection Reduced gate charge for enhanced light-load efficiency Lower hysteresis loss
		Flyback (QR, ZVS, ACF, HFB)	CoolGaN™ GIT HEMTs 600 V	<ul style="list-style-type: none"> Highest efficiency Highest power density
	Controller	ZVS flyback controller	XDPS21081	<ul style="list-style-type: none"> Optimization of low line AC input with forced quasi-resonant Suitable for high power density design
		Hybrid flyback controller	XDPS2201	<ul style="list-style-type: none"> Asymmetrical half-bridge ZVS control to maximize efficiency Supports a wide range of configurable parameters Supports ultra-high power density (20 W/in³) design
		QR flyback controller	EZ-PD™ PAG1P/S	<ul style="list-style-type: none"> Secondary-side-controlled flyback solution Dual-chip flyback solution with integrated SR+PD controller
	Gate-driver IC	Active-clamp flyback (ACF)	IRS25752L	<ul style="list-style-type: none"> High-side gate driver enables active clamp mode of operation Cost-effective, 600 V, single-channel driver in SOT23 package
			IRS21271S	<ul style="list-style-type: none"> High-side gate driver enables active clamp mode of operation 600 V, single-channel driver with over-current protection (OCP)
	PFC DC-DC	High-voltage MOSFETs, GIT HEMTs, and diodes	DCM PFC	600 V CoolMOS™ P7
DCM/CCM PFC			CoolGaN™ GIT HEMTs 600 V	<ul style="list-style-type: none"> Highest efficiency contribution via less parasitic parameter Space saving with SMD smaller package
Boost diode		DCM/PFC	650 V Rapid 1 diodes	<ul style="list-style-type: none"> Low conduction losses
Controller		PFC/LLC Combo	IDP2308	<ul style="list-style-type: none"> Digital multimode PFC and LLC combined controller with a floating high side driver and a startup cell Comprehensive and configurable protection features Wide set of configurable parameters
High-voltage MOSFETs and GIT HEMTs		HB LLC	600 V CoolMOS™ P7	<ul style="list-style-type: none"> Fast switching speed for improved efficiency and thermals Reduced gate charge for enhanced light load efficiency Optimized gate-to-source voltage (V_{GS}) threshold for lower turn-off losses
			CoolGaN™ IPS 600 V	<ul style="list-style-type: none"> Highest efficiency and highest power density Isolated gate driver integrated
Gate-driver IC		HB LLC	EiceDRIVER™ Compact: 1ED160N12AF, 1ED3124MU12F	<ul style="list-style-type: none"> Isolated gate driver, up to 14 A, 100 ns propagation delay
Synchronous rectification	Low-voltage MOSFETs	Synchronous rectification	OptiMOS™ PD 60-150 V	<ul style="list-style-type: none"> Low conduction losses, reduced overshoot Adapter-oriented synchronous rectification MOSFETs
	Control ICs	Synchronous rectification	EZ-PD™ PAG1S	<ul style="list-style-type: none"> Integration of synchronous rectification and PD controller Configurable protection, like OTP, OCP, OVP, UVP, short circuit, etc.
Protocol control	USB-C ICs	Protocol controller	EZ-PD™ PAG1S	<ul style="list-style-type: none"> Supports USB PD 2.0, PD 3.0 with PPS, QC4+, QC 4.0, QC 3.0, QC 2.0, Samsung AFC, Apple charging, and BC v1.2 charging protocols
		Protocol controller	EZ-PD™ CCG3PA-NFET	<ul style="list-style-type: none"> Supports USB PD 3.0 with Programmable Power Supply (PPS) Independent constant current (CC) and constant voltage (CV) modes Configurable OVP, OCP, and OTP Integrates NFET gate driver to drive the load switch 64 kB Flash Memory
		Protocol controller	EZ-PD™ CCG3PA	<ul style="list-style-type: none"> Supports USB PD 3.0 with PPS, QC4, Apple 2.4 A charging, AFC, BC1.2 etc. Supports 1C and 1A port 64 kB flash memory
		Multi-port controller	EZ-PD™ CCG7DDC multi-port controller	<ul style="list-style-type: none"> Integrates 2 USB-C PD controllers + 2 DC-DC controllers in one single chip Supports latest USB-C PD v3.0 with PPS, QC4+, QC4.0, Samsung AFC, Apple 2.4A, BCv1.2 Configurable switching frequency of 150 kHz- 600 kHz Arm® Cortex®-M0 with flash allows users to implement custom features
Connector	ESD	ESD protection	Multi-purpose diodes for ESD protection	<ul style="list-style-type: none"> Small packaging to support minimum board space consumption High linearity - reducing harmonic generation/enabling suppression EMC problems Exceptional quality and reliability





SMPS

Battery chargers for mobile appliances

Infiniteon offers AC/DC battery charger reference designs targeted for charging Li-Ion batteries for mobile appliances such as power and gardening tools, cordless home appliances, e-bikes, and e-scooters.

The reference designs are based on Infineon's leading portfolio of high-voltage (**CoolMOS™**) and low-and medium-voltage (**OptiMOS™**) switches as well as power controllers, designed to meet customers' requirements and needs for battery chargers.

The flyback-based reference design* is scalable from 65 W to >100 W and aimed for 18 V/36 V Li-Ion battery packs. It is based on the quasi-resonant flyback controller **ICC80QSG** and the **700 V CoolMOS™ P7** series in the small-footprint and wave-solderable **SOT-223** package. The controller burst mode enables a low standby power of <100 mW. The demo board includes a secondary-side auxiliary supply for battery switch and supply of a MCU. The measured efficiency is >90 % at 230 V_{AC} input voltage, providing excellent performance versus BOM cost ratio for chargers for consumer appliances.

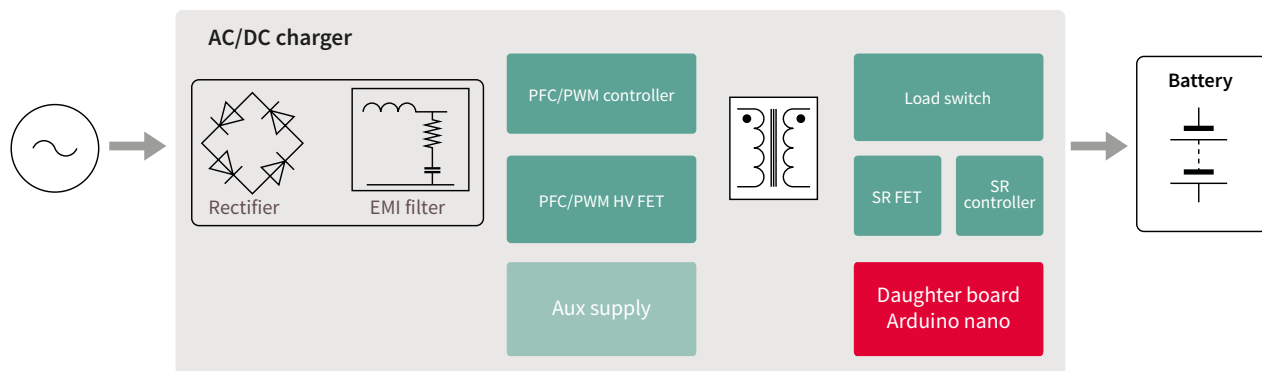
The 170 W reference design* is aimed for e-bike battery charging and is based on the the digital hybrid flyback controller **XDPT™** digital power **XDPS2201** and the well-established 600 V **CoolMOS™ P7S** series in the TO-220-FP package. The measured efficiency is >94 % at 230 V_{AC} input voltage, enabling fanless, very compact and fast e-bike chargers for outdoor use cases.

Features and benefits

Key features
> Wide output voltage range
> High efficiency (>90 % for flyback, >94 % for hybrid flyback)
> Low power consumption during standby
> Inrush current, reverse polarity protection
> CC/CV operation
> Isolated aux voltage supply

Key benefits
> Scalable to support a wide range of battery cells
> Fewer heatsinks, fanless and varnished operation for outdoor use
> Meet DoE level VI regulation
> Robustness
> Allows for optimization of charging process via microcontroller
> Supply for microcontroller

Application diagram



www.infineon.com/charging

*Reference designs available by Q4 2022



For more details on the product, click on the part number, visit infineon.com or contact our [product support](#).





Product portfolio

Application	Topology	Product type	Product/product family	Package
Battery charger for mobile appliances	QR flyback	QR flyback controller	ICC80QSG	PG-DSO-8
		High-voltage MOSFETs	700 V CoolMOS™ P7	SOT-223
	Hybrid flyback	Digital hybrid flyback controller	XDP™ digital power XDPS2201	DSO-14
		High-voltage MOSFETs	600 V CoolMOS™ P7	TO-220-FP
		Medium-voltage MOSFETs	60 V/80 V/100 V OptiMOS™	Multiple
		Medium-voltage MOSFETs	150 V StrongIRFET™	TO-220
	AC/DC integrated power stage	CoolSET™ Gen 5	DIP-7	
Aux supply	CoolSET™	-		





Battery protection

Solutions that allow easy design-in ensuring safe charging/discharging

The high-power density of lithium-ion batteries has made them very popular. However, the unstable behavior of lithium-ion cells under critical conditions requires them to be handled with care. That means a battery management system (BMS) is needed to monitor the battery state and ensure safe operation. BMS is typically equipped with an electronic switch that disconnects the battery from the charge or load under critical conditions that can lead to dangerous reactions. A battery protection unit (BPU) prevents possible damages to the battery cells and the failure of the battery.

Such critical conditions include:

- > Over-charge that occurs when the battery is charged over the allowed maximum capacity.
- > High and low temperature when the internal temperature of the battery cells exceeds their safe operational temperature range.
- > Over-discharge when the battery is discharged under the allowed minimum capacity.
- > Overcurrent when the battery is exposed to a short circuit condition or a high inrush turn-on current.
- > Reverse polarity when the battery terminals are wrongly plugged into the device.

Failing to disconnect the battery during such conditions can lead to the following problems:

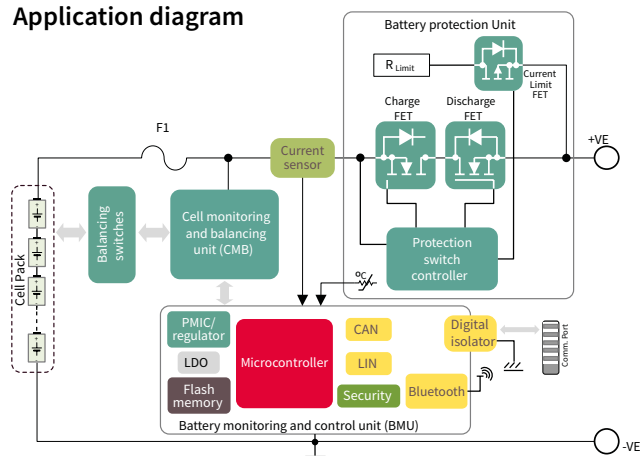
- > Thermal runaway often due to over-charging or over-heating of the battery. The over-heating event can be due to a rise in the ambient temperature or due to charging/discharging the batteries with high current rates. Thermal runaway damages the battery cells and can lead to fires.
- > Death of the cell often due to the discharge of batteries below its specified thresholds.
- > Damage of load device often due to either improper inrush current management or reverse polarity.

In order to prevent these failures, Infineon offers a wide range of battery protection solutions that increase the lifetime and efficiency of lithium-ion batteries under stressful conditions.

Features and benefits

Key features	Key benefits
> $R_{DS(on)}$ and safe operating area (SOA)	> Higher performance with lower $R_{DS(on)}$ and wider safe operating area (SOA)
> Compact bill of material (BOM)	> Cheaper solutions with a more compact bill of material and more effective parallelization solutions
> Short circuit protection	> Short circuit protection with higher peak current rates to withstand higher current values
> Turn-on and turn-off capabilities	> Turn-on and turn-off solutions tailored to applications needs
> All voltage class solutions	> Up to 600 V MOSFET protection solutions (including single- and multi-module)

Application diagram



www.infineon.com/battery-protection

For more details on the product, click on the part number, visit infineon.com or contact our [product support](#).

Product portfolio

Battery voltage	MOSFET voltage class	Package	Technology	R _{DS(on)}	R _{thJC}	Part number		
12 V	20 V	SuperS08	StrongIRFET™	≤ 0.95 mΩ	≤ 0.8 °C/W	IRFH6200		
		DirectFET		≤ 2.7 mΩ	≤ 1.4 °C/W	IRF6620		
		TO-220		≤ 1.5 mΩ	≤ 0.5 °C/W	IRF1324		
	25 V	SuperS08	OptiMOS™	≤ 0.45 mΩ	≤ 0.8 °C/W	BSC004NE2LS5		
		PQFN 3.3x3.3 SD	OptiMOS™	≤ 0.65 mΩ	≤ 1.4 °C/W	IQE006NE2LM5		
		DirectFET	StrongIRFET™	≤ 0.8 mΩ	≤ 1.4 °C/W	BSB008NE2LX		
PQFN 3.3x3.3		OptiMOS™	≤ 0.9 mΩ	≤ 1.8 °C/W	BSZ009NE2LS5			
18 V	30 V	TOLL	OptiMOS™	≤ 0.4 mΩ	≤ 0.5 °C/W	IPT004N03L		
		SuperS08	StrongIRFET™	≤ 0.55 mΩ	≤ 0.8 °C/W	BSC005N03LS5		
		PQFN 3.3x3.3		≤ 1.5 mΩ	≤ 1.8 °C/W	BSZ0500NSI		
		DirectFET		≤ 1.7 mΩ	≤ 1.4 °C/W	IRF6726M		
	34 V	D ² PAK	StrongIRFET™	≤ 1.95 mΩ	≤ 0.64 °C/W	IRLS3813		
		TO-220		≤ 1.95 mΩ	≤ 0.64 °C/W	IRLB3813		
		SuperS08		≤ 7.9 mΩ	≤ 4.1 °C/W	BSC079N03LSC G		
24 V	40 V	DirectFET	StrongIRFET™	≤ 0.45 mΩ	≤ 0.44 °C/W	IRL7472L1		
		sTOLL	OptiMOS™	≤ 0.6 mΩ	≤ 0.6 °C/W	IST006N04NM6		
		D ² PAK7P	StrongIRFET™	≤ 0.65 mΩ	≤ 0.36 °C/W	IRL405C228		
		SuperS08	OptiMOS™	≤ 0.7 mΩ	≤ 0.8 °C/W	BSC007N04LS6		
		TOLL	StrongIRFET™	≤ 0.72 mΩ	≤ 0.3 °C/W	IRL40T209		
		D ² PAK		≤ 1.2 mΩ	≤ 0.4 °C/W	IRF57430		
		TO-220		≤ 1.25 mΩ	≤ 0.4 °C/W	IRL40B209		
		PQFN 3.3x3.3		OptiMOS™	≤ 1.8 mΩ	≤ 1.8 °C/W	BSZ018N04LS6	
24-36 V	55 V	D ² PAK7P	StrongIRFET™	≤ 2.6 mΩ	≤ 0.5 °C/W	IRF3805S-7P		
	36 V	D ² PAK	StrongIRFET™	≤ 3.3 mΩ	≤ 0.5 °C/W	IRF3805S		
TO-220		≤ 3.3 mΩ		≤ 0.45 °C/W	IRF3805			
TOLL		OptiMOS™		≤ 0.75 mΩ	≤ 0.4 °C/W	IPT007N06N		
D ² PAK7P		≤ 1.3 mΩ		≤ 0.36 °C/W	IRF60SC241			
SuperS08		OptiMOS™		≤ 1.45 mΩ	≤ 0.8 °C/W	BSC014N06NS		
DirectFET		StrongIRFET™		≤ 1.5 mΩ	≤ 0.44 °C/W	IRF7749L1		
TO-220		≤ 1.9 mΩ		≤ 0.4 °C/W	IRL60B216			
D ² PAK		≤ 1.95 mΩ		≤ 0.4 °C/W	IRL60S216			
PQFN 3.3x3.3		OptiMOS™		≤ 3.7 mΩ	≤ 0.4 °C/W	BSZ037N06LS5		
TOLG		OptiMOS™		≤ 3.7 mΩ	≤ 0.4 °C/W	IPTG007N06NM5		
48 V		80 V		TOLG	OptiMOS™	≤ 1.1 mΩ	≤ 0.4 °C/W	IPTG011N08NM5
	TO-220		≤ 2 mΩ	≤ 0.4 °C/W	IPP020N08N5			
	TOLT		≤ 1.2 mΩ	≤ 0.4 °C/W	IPTC012N08NM5			
	SuperS08		≤ 2.5 mΩ	≤ 0.8 °C/W	BSC025N08LS5			
	DirectFET		StrongIRFET™	≤ 4.4 mΩ	≤ 1 °C/W	BSB044N08NN3 G		
	PQFN 3.3x3.3		OptiMOS™	≤ 7 mΩ	≤ 1.8 °C/W	BSZ070N08LS5		
72 V	100 V	TOLL	OptiMOS™	≤ 1.5 mΩ	≤ 0.4 °C/W	IPT015N10N5		
		D ² PAK	OptiMOS™ Linear FET	≤ 1.7 mΩ	≤ 0.4 °C/W	IPB017N10N5LF		
		TO-220	OptiMOS™	≤ 2.3 mΩ	≤ 0.4 °C/W	IPP023N10N5		
		SuperS08	≤ 2.2 mΩ	≤ 0.6 °C/W	ISC022N10NM6			
		TOLT	OptiMOS	≤ 1.5 mΩ	≤ 0.4 °C/W	IPTC015N10NM5		
		DirectFET	StrongIRFET™	≤ 3.5 mΩ	≤ 1.2 °C/W	IRF7769L1		
		D ² PAK7P	≤ 3.9 mΩ	≤ 0.4 °C/W	IRLS4030-7P			
	120 V	D ² PAK	OptiMOS™	≤ 4.2 mΩ	≤ 0.34 °C/W	IRF100S201		
		TOLG		≤ 1.4 mΩ	≤ 0.4 °C/W	IPTG014N10NM5		
		PQFN 3.3x3.3		≤ 8 mΩ	≤ 1.5 °C/W	ISZ080N10NM6		
		TO-220		≤ 4.1 mΩ	≤ 0.5 °C/W	IPP041N12N3 G		
		SuperS08		≤ 7.7 mΩ	≤ 0.9 °C/W	BSC077N12NS3 G		
		PG-HSOF-8		≤ 3 mΩ	≤ 0.4 °C/W	IPT030N12N3 G		
		D ² PAK		≤ 3.6 mΩ	≤ 0.5 °C/W	IPB036N12N3 G		
135 V	PQFN 3.3x3.3	OptiMOS™	≤ 1.9 °C/W	≤ 24 mΩ	BSZ240N12NS3 G			
	D ² PAK7P	StrongIRFET™	≤ 5.9 mΩ	≤ 0.3 °C/W	IRF135SA204			
			≤ 8.4 mΩ	≤ 0.34 °C/W	IRF135S203			
			≤ 8.4 mΩ	≤ 0.34 °C/W	IRF135B203			
			≤ 8.4 mΩ	≤ 0.34 °C/W	IRF135B203			
96 V	150 V	D ² PAK	OptiMOS™ Linear FET	≤ 4.8 mΩ	≤ 0.4 °C/W	IPB048N15N5LF		
		TO-220	OptiMOS™	≤ 5.1 mΩ	≤ 0.5 °C/W	IPP051N15N5		
		TOLL	≤ 3.9 mΩ	≤ 0.47 °C/W	IPT039N15N5			
		SuperS08	≤ 7.4 mΩ	≤ 0.7 °C/W	BSC074N15NS5			
	D ² PAK	StrongIRFET™	DirectFET	≤ 11 mΩ	≤ 1.2 °C/W	IRF779L2		
			D ² PAK7P	≤ 9.3 mΩ	≤ 0.4 °C/W	BSC093N15NS5		
			D ² PAK	≤ 12.1 mΩ	≤ 0.4 °C/W	IRFS4115		
			PQFN 3.3x3.3	≤ 30 mΩ	≤ 2 °C/W	BSZ300N15NS5		
150 V	200 V	TO-220	OptiMOS™	≤ 11 mΩ	≤ 0.5 °C/W	IPP110N20N3 G		
		D ² PAK	OptiMOS™ Linear FET	≤ 11 mΩ	≤ 0.5 °C/W	IPB110N20N3LF		
		TOLL	OptiMOS™	≤ 11.1 mΩ	≤ 0.4 °C/W	IPT111N20NFD		
		D ² PAK	StrongIRFET™	≤ 16.9 mΩ	≤ 0.36 °C/W	IRF200S234		
		SuperS08	OptiMOS™	≤ 32 mΩ	≤ 1 °C/W	BSC320N20NS3 G		
		DirectFET	StrongIRFET™	≤ 22 mΩ	≤ 1.4 °C/W	BSC220N20NSFD		
		PQFN 3.3x3.3	OptiMOS™	≤ 90 mΩ	≤ 2.5 °C/WW	BSZ900N20NS3 G		
		TO-220	OptiMOS™	≤ 20 mΩ	≤ 0.5 °C/W	IPP200N25N3 G		
300 V	250 V	TOLL	StrongIRFET™	≤ 21 mΩ	≤ 0.4 °C/W	IPT210N25NFD		
		D ² PAK		≤ 48 mΩ	≤ 0.45 °C/W	IRFS4229		
		SuperS08		≤ 60 mΩ	≤ 1 °C/W	BSC600N25NS3 G		
	300 V	PQFN 3.3x3.3	OptiMOS™	≤ 165 mΩ	≤ 2 °C/W	BSZ16DN25NS3 G		
				TO-220	≤ 41 mΩ	≤ 0.5 °C/W	IPP410N30N	
				SuperS08	≤ 130 mΩ	≤ 1 °C/W	BSC13DN30NSFD	
		600 V		TO-220	CoolMOS™ S7	≤ 22 mΩ	≤ 0.32 °C/W	IPP60R022S7
					TOLL	≤ 22 mΩ	≤ 0.32 °C/W	IPT60R022S7





Battery monitoring

Optimize system performance by cell balancing and monitoring key battery parameters

Dedicated cell monitoring controllers are being used to keep lithium-ion cells within their allowed operational ranges regarding voltages, currents, and temperatures. They monitor the state of each cell according to pre-adjusted voltages and temperatures using high-precision ADCs. Synchronizing the distributed measurements across all cells inside a battery is key to achieving the best possible insights into the battery's dis-/charging state (SOD/SOC) and overall battery health (SOH). The critical battery state assessment becomes less precise if these measurements are spread across wider time windows and if the measurement accuracy for each parameter is not high enough. A robust high-speed communication link across multiple daisy-chained monitoring devices supports complex cell topologies for a battery. For additional robustness, the daisy-chaining realizes a redundant ring, which keeps communication up between all connected ICs in case of a broken link. CRC protected data frames complement communication robustness. To achieve extreme low-power dedicated housekeeping functions such as periodically scheduled cell measurements and state analysis required for functional safety, the cell controller can perform independently from the master controller of the BMS. Safety features for signaling over-/undervoltage, thermal stress, etc., including emergency alarms, are triggered autonomously. When the number of cells increases, a reliable transfer of information from the cell balancing IC to the BMS controller becomes very important. Digital isolators can be used to ensure that the right data is transferred reliably by isolating the low voltage side (BMS controller) from the high voltage battery side.

TLE9012DQU

Li-ion battery monitoring and balancing IC



RoHS



ISO 26262
compliant

Features

- › Voltage monitoring of up to 12 battery cells connected in series
- › Hot plugging support
- › Dedicated 16-bit delta-sigma ADC for each cell with selectable measurement mode
- › High accuracy measurement for SOC and SOH calculation
- › Integrated stress sensor with digital compensation algorithm and temperature-compensated measurements
- › Secondary ADC with same averaging filter characteristics as advanced end to end safety mechanism
- › Five temperature measurement channels for external NTCs
- › Internal temperature sensors
- › Integrated balancing switch allows up to 200 mA balancing current
- › Differential robust serial 2 Mbit/s communication interface
- › Additional four GPIO pins to e.g., connect an external [EEPROM](#)
- › Internal round robin cycle routine triggers majority of diagnostics mechanisms
 - Automatic balancing over- and undercurrent detection scheme
 - Automatic open load and open wire detection scheme
 - Automatic NTC measurement unit monitoring scheme
- › End to end CRC secured iso UART/UART communication
- › Emergency mode for communication
- › ISO 26262 safety element out of context for safety requirements up to Automotive safety integrity level D
- › Green product (RoHS compliant)



www.infineon.com/battery-monitoring

For more details on the product, click on the part number, visit infineon.com or contact our [product support](#).



TLE9015QU

BMS transceiver IC - UART to iso UART

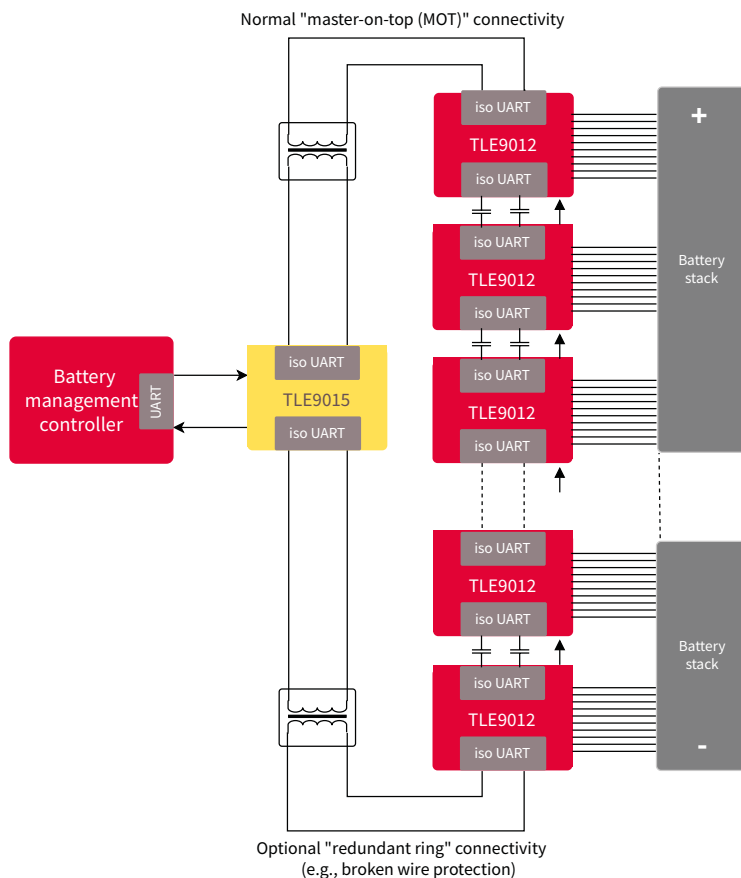


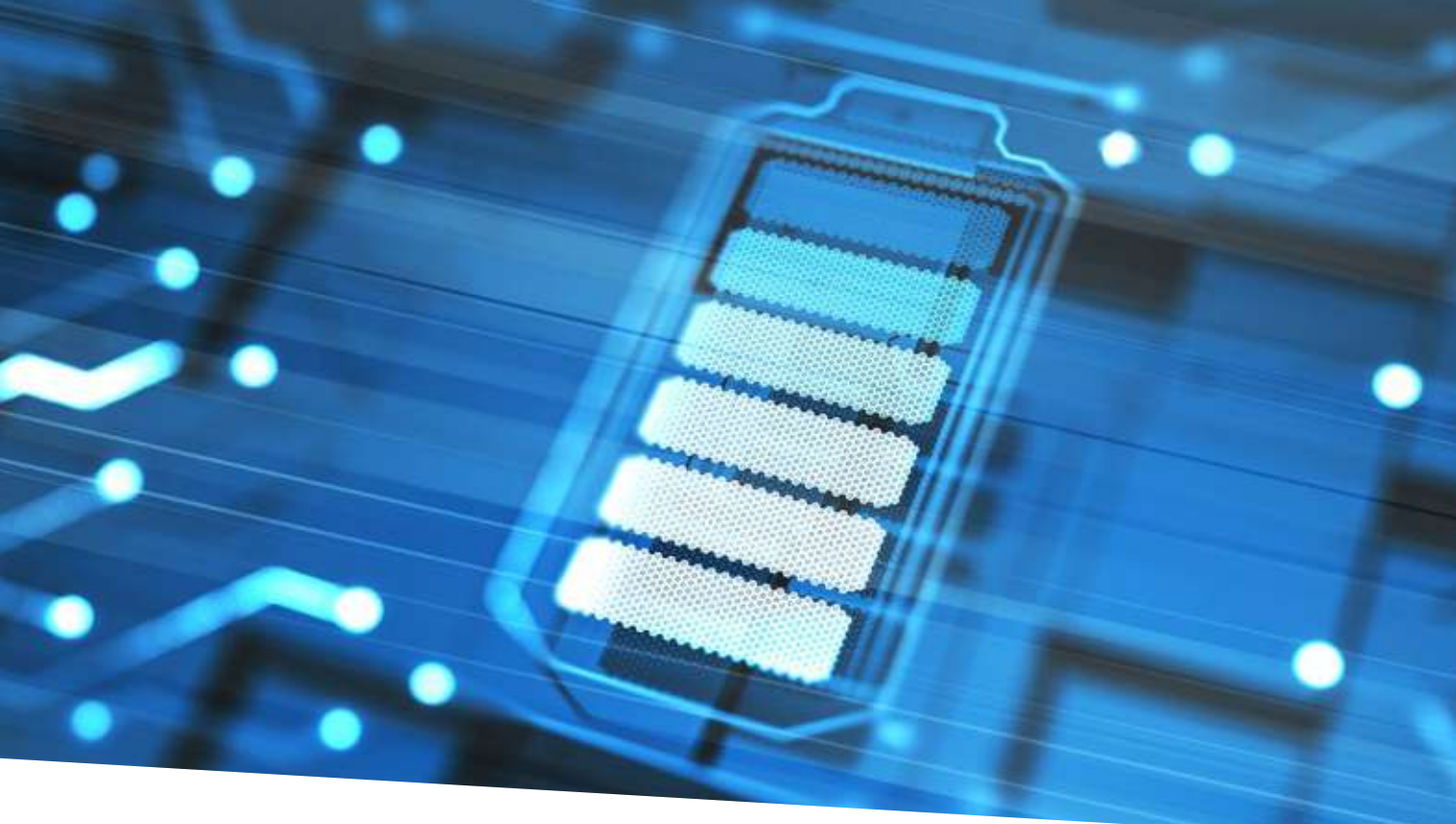
Features

- > General
 - Two UART ports for serial communication to host microcontroller
 - Two iso UART interfaces for communication to other BMS ICs
 - 2 Mbit/s data rate for fast communication
 - Fully transparent communication scheme from UART to iso UART
 - Ring mode topology compatible
- > Communication ports
 - Integrated internal logic to minimize pin count on the UART side
 - Differential current edge triggered iso UART communication interface
 - High robustness against external noise
- > General purpose error pin
 - Two external fault inputs (EMM and ERRQ_ext)
 - Latching error output pin to trigger external microcontroller
- > Supporting diagnosis features
 - Internal supply monitoring
 - Green product (RoHS compliant)



Application diagram





Digital isolators for battery monitoring

Part number	Isolation ring	Safety certifications	Channel configuration ¹⁾	Input thresholds	Default output state	Package
2DIB0400F*	V _{ISO} =3000 VRMS (UL1577 Ed. 5)	UL1577 (Ed. 5)	2 forward 0 reverse (2+0)	Variable (CMOS)	Low	PG-DSO8 5 x 4 mm
2DIB0401F*					High	
2DIB1400F*		1 forward 1 reverse (1+1)	Low			
2DIB1401F*			High			
2DIB0410F*		IEC 62368-1 IEC 60601-1 IEC 61010-1 GB4943.1	2 forward 0 reverse (2+0)	Fixed (TTL)	Low	
2DIB0411F*					High	
2DIB1410F*			1 forward 1 reverse (1+1)		Low	
2DIB1411F*					High	

www.infineon.com/battery-monitoring

*Coming soon

1)Certifications planned

For more details on the product, click on the part number, visit infineon.com or contact our [product support](#).





FET-based high-voltage solid-state relays

Best-in-class $R_{DS(on)} \times A$ enables unprecedented low losses in combination with advanced control and protection features

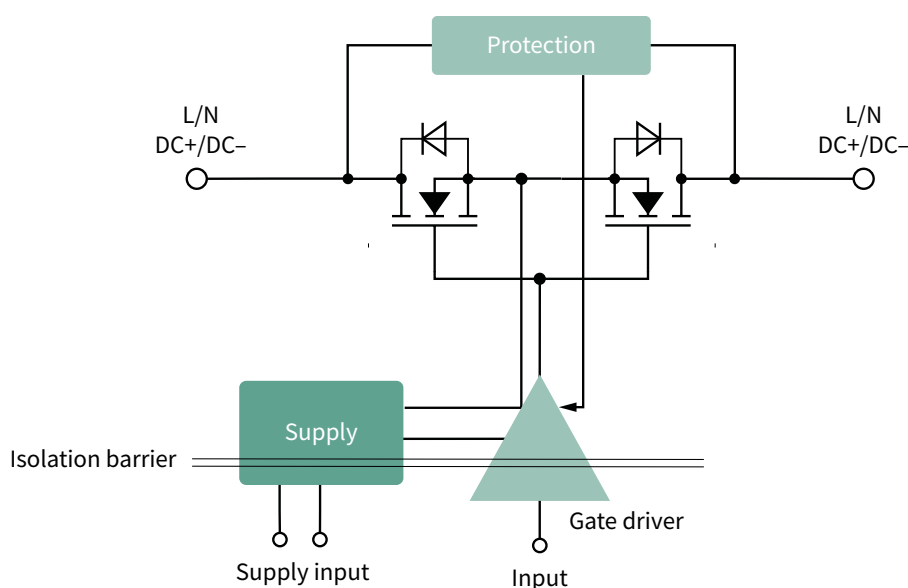
Electromechanical relays are a mature and well-established technology. However, they suffer from some inherent weaknesses. The mechanical movement of metal contacts causes noise. The high voltages can arc before the contacts are completely opened or closed, which leads to contact degradation. An increase of the contact resistance over the lifetime causes the behavior to become less predictable. Triacs (or silicon-controlled rectifiers, SCRs) are widely used as solid-state relays in AC applications. However, their controllability is limited and they suffer from high power dissipation in the range of 1 W/A.

FET-based solid-state solutions offer many benefits in relay applications. This includes significantly faster switching while eliminating arcing and the noise associated with electromechanical devices. Inherently, this results in higher reliability and more stable performance. When considering the maintenance, repair and operations (MRO) cost, a strong argument can be made for using solid-state relays. Compared to triacs, a FET-based solution offers advanced control and protection methods. The significantly lower power dissipation minimizes the cooling effort in the application. The latest CoolMOS™ S7(A) technology is a perfect match for solid-state relay applications. It offers an unprecedentedly low $R_{DS(on)} \times A$ figure of merit that will meet the needs of customers and their end markets.

Features and benefits

Key features	Key benefits
> Operational lifetime: tens of millions of operations	> Maintenance free (no degradation of contacts), MRO cost savings
> No mechanical parts	> Arcing-free operation, no contact bounce, clicking noise is eliminated
> Significantly faster switching	> Advanced control and protection methods
> No increasing resistance vs. lifetime	> Stable performance, predictable behavior
> Lowest $R_{DS(on)} \times A$ in class	> Highest power density, minimized cooling effort, parallelization and scalability

Application diagram





Solutions and Applications
 20-300 V MOSFETs
 500-950 V MOSFETs
 Gate-driver ICs
 Digital isolators
 IGBT discretes and silicon power diodes
 Intelligent power switches and modules
 Microcontrollers
 Power management ICs
 WBG semiconductors
 Sensors
 Packages

Product portfolio

Product	Product family	Voltage class [V_{DS} max]	$R_{DS(on)}$	Package	Part number
MOSFETs	CoolMOS™ S7 industrial	600 V	22 mΩ to 65 mΩ	TO-220	IPP60R022S7, IPP60R040S7, IPP60R065S7
			22 mΩ to 65 mΩ	TOLL	IPT60R022S7, IPT60R040S7, IPT60R065S7
			10 mΩ to 65 mΩ	QDPAK top-side cooled	IPDQ60R010S7, IPDQ60R022S7, IPDQ60R040S7, IPDQ60R065S7
	CoolMOS™ S7A automotive	600 V	10 mΩ	QDPAK top-side cooled	IPDQ60R010S7A

Product	Product family	Output voltage	Output current [typ.]	Isolation type	Part number
Gate drivers	EiceDRIVER™	20 V	5 A/9 A	functional/basic isolation	1EDB6275F, 1EDB8275F, 1EDB9275F
			5 A/9 A	non-isolated	1EDN6550B, 1EDN8550B, 1EDN9550B
			5 A/9 A	non-isolated	1EDN8511B
		20 V	±2 A to ±6 A	functional isolation	1EDI10112MF, 1EDI20112MF, 1EDI30112MF
		25 V	±2.6 A	non-isolated	1ED44173N01B
		40 V	±3 A to ±6 A	functional isolation	1ED3431MU12M, 1ED3461MU12M
			±3 A to ±6 A	reinforced isolation	1ED3431MC12H, 1ED3461MC12H

Product	Product family	Load voltage	Output/load current	Isolation voltage	Part number
Integrated solid-state relays	Photovoltaic isolators (PVI)	-	2 x 5 μA	3.75 kV	PVI5033R
		-	2 x 5 μA	2.5 kV	PVI1050N
	Photovoltaic relays (PVR)	60 V	2 A	4 kV	PVG612A
		400 V	1 A	3.75 kV	PVX6012

www.infineon.com/ssr
www.infineon.com/S7

For more details on the product, click on the part number, visit infineon.com or contact our [product support](#).





Low-voltage motor drive and control

Low-power battery applications

When it comes to increased efficiency and durability, brushless DC (BLDC) motors offer the ideal solution for power electric motor applications. Compared to traditional brushed motors, brushless DC motors are quieter, lighter, and offer an overall smaller design footprint while providing increased reliability. These improvements, however, come with an increased need for monitoring and control, requiring significantly more complex electronics and supporting algorithms. This move toward BLDC motors occurs in concert with a continuous push towards higher energy efficiency, resulting in trade-offs between power delivery and battery lifetime. This, in turn, puts a significant burden on semiconductor technologies to deliver high performance in motor control applications. In parallel, shortening life cycles and increased product diversity put an additional burden on suppliers to provide that same high performance, cost-efficient solutions across an increasing variety of use cases.

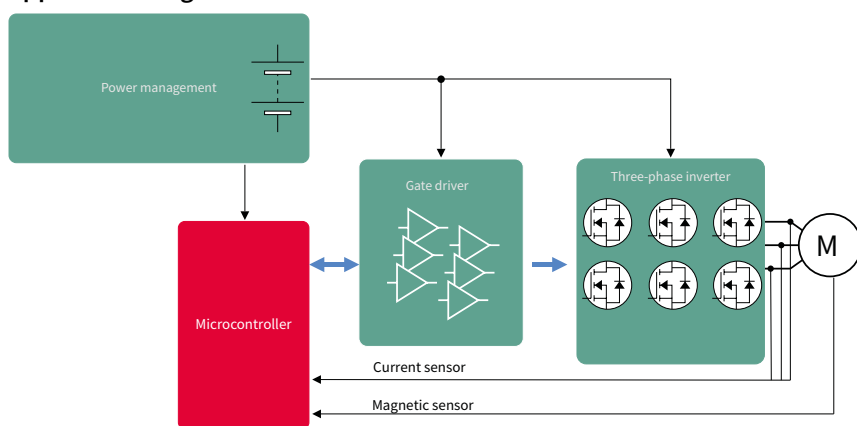
With industry-leading technology and reliability, Infineon's extensive portfolio of discrete and integrated circuits offers the breadth and depth of solutions necessary to meet the demands across a wide spectrum of motor control needs.

Features and benefits

Key features
> A complete eco-system of simulations, documentation and demonstration boards v
> Comprehensive portfolio of products and solutions
> Best in class MOTIX™ gate drivers for OptiMOS™ and StrongIRFET™ MOSFETs offering high efficiency and protection
> World-class broad and deep portfolio of LV FETs with SMD packaging improves capability and reliability while reducing assembly cost
> Components featuring small form factor and compact design offering highest power density and BOM savings thanks to lowest $R_{D(on)}$
> High reliability of Infineon components results in prolonged product life spans

Key benefits
> Fast time to market
> Broad portfolio allows for right product fit to meet application needs
> Extended battery life and product life span
> Reduction overall system size and cost

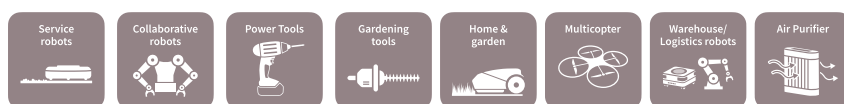
Application diagram



Key enabling products

- > Power MOSFETs – OptiMOS™, StrongIRFET™
- > MOTIX™ low-voltage motor control solutions
- > XMC1000 microcontrollers
- > XMC4000 microcontrollers
- > PSoC™ 4100 microcontrollers
- > PSoC™ 62 microcontrollers
- > XENSIV™ angle sensor
- > XENSIV™ magnetic sensor
- > XENSIV™ current sensor
- > XENSIV™ Hall switch

Target end applications



www.infineon.com/blcd
www.infineon.com/bdc

For more details on the product, click on the part number, visit infineon.com or contact our [product support](#).



Product portfolio

Product category	Product family	Package options	Battery voltage support [V]	Voltage class [V _{DS} max.]	Representative part numbers
Inverter/MOSFETs	StrongIRFET™ OptiMOS™	SuperSO8 SuperSO8 SC PQFN 3x3 DirectFET™ S/M/L-Can TOLL TOLG TOLT TO-220 TO-247 DPAK D ² PAK D ² PAK 7-pin	12-16	25-30	BSC005N03, IQE006NE2, IPT004N, IPP055N
			18	40	IRL40DM2, BSC010N04, IST011N06, BSZ097N04, IRF40SC, IPB011N04, IRL40B215
			36-48	60	IST011N06NM, BSC012N06N, BSZ100N06N, IPT007N06N, IRFS7534, BSC014N06N
			48-60	75-80	BSC021N08N, BSC030N08N, IPT010N08N, IPTG011N08N, IPP040N08N, IPB049N08N
			60-72	100-120	BSC035N10N, ISZ080N10N, IPT015N10N, IPTC030N12N, IPB036N12N, IPP050N10N
			72-96	150	BSC074N15N, BSC110N15N, IPT059N15, IPB072N15
			96-144	200	BSC220N20N, IRF200S234, IPTG111N20NM, IPT111N20

Product category	Voltage class [V]	Configuration	Part number	Current source/sink	Comment
Gate drivers	25	Low-side	1ED44173	2.6 A/2.6 A	Integrated fast over-current protection, fault reporting and enable functionality, SOT-23 package
	60	Three-phase	6EDL7141 NEW	1.5 A/1.5 A	Configurable smart gate driver, integrated power management and current sense amplifiers, VQFN-48 package
	160	Three-phase	6ED2742 NEW	1 A/2 A	SOI, integrated BSD, trickle charge pumps, power management and current sense amplifiers, RFE, QFN32 package
	160	High- and low-side	2ED2732 NEW	1 A/2 A	SOI, integrated BSD, separate VSS/COM, thermal pad, DFN10 package
	160	Half-bridge	2ED2748	4 A/8 A	SOI, integrated BSD, separate VSS/COM, thermal pad, DFN10 package
	200	Three-phase	6EDL04N02	0.165 A/0.375 A	SOI, Integrated BSD, OCP, enable, fault reporting, TSSOP-28 package
	200	High- and low-side	IRS2005S	0.29 A/0.6 A	V _{CC} and V _{BS} UVLO, matched propagation delay, DSO8 package
	200	Half-bridge	IRS2007S	0.29 A/0.6 A	V _{CC} and V _{BS} UVLO, matched propagation delay, DSO8 package
	200	Low- or high-side	1EDN7550	4 A/8 A	Low propagation delay, differential input, high common-mode input, UVLO, SOT23-6 and TSNP-6 package options
	600	Half-bridge	IRS21867S	4 A/4 A	High current level-shift gate driver with low VCC operation, DSO8 package
	600	Three-phase	6EDL04N06PT	0.165 A/0.375 A	SOI, integrated BSD, tolerant to -V _S up to 100 V, OCP, enable, fault reporting, DSO-28W package
	650	Half-bridge	2ED2304S06F	0.36 A/0.7 A	SOI, integrated BSD, tolerant to -V _S up to 100 V, DSO8 package

www.infineon.com/bldc
www.infineon.com/bdc

For more details on the product, click on the part number, visit infineon.com or contact our [product support](#).



Product category	Product family	Representative part number	Description
Integrated devices	MOTIX™	IFX9201SG	Integrated brushed DC motor driver
		IMD701A NEW	Integrated BLDC controller with gate driver
Microcontrollers	XMC™	XMC1300 XMC1400	ARM™ Cortex® -M0 core. 32/48MHz core, math coprocessor, peripherals up to 96 MHz peripherals, CCU4/CCU8 PWM timers, 2x serial channels, Hall and encoder interface, analog comparators, 12 bit ADC, up to 200 kB Flash/16 kB RAM 16-64 pins
		XMC4400	ARM™ Cortex® -M4F core, up to 144 MHz, up to 512 kB Flash/80 kB RAM, 4xCCU4/2xCCU8/2xPOSIF timers, serial channels, up to 4x 12-bit ADC / 2x DAC, 4xΔΣ demodulator, 64-100 pins
	PSoC™	PSoC™ 4100	ARM™ Cortex® -M0/M0+ CPU with DMA controller, up to 384 kB Flash / 32 kB SRAM, cryptographic coprocessor, 12-bit ADC / 13-bit DAC, configurable amplifiers, 16-bit PWM timers, configurable serial communication blocks, up to 84 GPIO, 28-100 pin packages
		PSoC™ 62	Dual-core 150MHz ARM™ Cortex® -M4 and 100 MHz M0/M0+, ultra-low power and low-power operation modes, up to 2 MB Flash, 1 MB SRAM with DMA, 24x16-bit and 8x32-bit timer blocks, USB 2.0, up to 104 GPIOs
Sensors	Hall switches	XENSIV™ TLI4963	3-5.5V operation, active error compensation, high stability magnetic thresholds, low jitter
	Angle sensor	XENSIV™ TLI5012	Integrated angle calculation, incremental interface, SPI with 8 Mbit/s, ≤ 1.9o angle error over-temperature/life, integrated giant magnetoresistance based angle sensor, 15-bit representation of angle value with 0.01o resolution, bi-directional SSC interface
	3D magnetic sensor	XENSIV™ TLI493D	± 50 mT to ± 160 mT ranges, up to 30.8 LSB12/MT sensitivity, low-power mode, low offset and match drift, wake up function
	Magnetic coreless current sensor	XENSIV™ TLI4971	25 A to 120 A measurement range, 240 kHz bandwidth, low sensitivity error over temperature, galvanic functional isolation up to 1150 V, differential sensing, two independent over current detection outputs

Evaluation platforms

Category	Product name	Description
Application	DEMO-PTOOL-300W-M	This design kit for cordless power tools uses the DirectFET™ ME/MF and firmware developed using the XMC1300 family.
	KIT_MOTOR_DC_250W_24V	Three-phase DC motor control power card (V_{DC} 24 V, 250 W motor drive power card for XMC1000 and XMC4000)
	Stepper motor control shield with IFX9201 and XMC1300	The stepper motor control shield based on Infineon's H-bridge IFX9201 and XMC1300 microcontroller can drive the two coils in a stepper motor featuring a dual-H-bridge configuration. This current stepper motor control board is compatible with Arduino microcontroller boards and Infineon's XMC™ microcontroller kits using the Arduino form factor.
	KIT_XMC1X_AK_MOTOR_001	XMC1000 motor control application kit
Product	CY8CKIT-037	The CY8CKIT-037 is used for PSOC™ 4 solution evaluation for motor control application. The kit supports BLDC motors, PMSM (permanent magnetic synchronous motors), and stepper motors. We provide example projects including single-shunt and sensorless FOC (field oriented control), sensored BLDC control, sensorless BLDC control, and stepper motor control example projects.
	EVAL_6EDL7141_TRAP_1SH	The EVAL_6EDL7141_TRAP_1SH features fully configurable operating parameters with an on-board debugger ready for direct USB connection to PC. The BLDC motor drive board uses trapezoidal commutation based on the MOTIX™ 6EDL7141 smart three-phase driver.
	S2GO_CUR-SENSE_TLI4971	For evaluation purposes of the latest XENSIV™ current sensor TLI4971 , we rely on our proven evaluation concept of Shield2Go and 2GO Kits – therefore the TLI4971 evaluation environment is also offered in those two configurations: > TLI4971 MS2GO: 2GO Kit version > TLI4971 S2GO: Shield2Go version

www.infineon.com/bldc

www.infineon.com/bdc

For more details on the product, click on the part number, visit infineon.com or contact our [product support](#).





High-power low-voltage motor drive

Powering light e-mobility and material handling

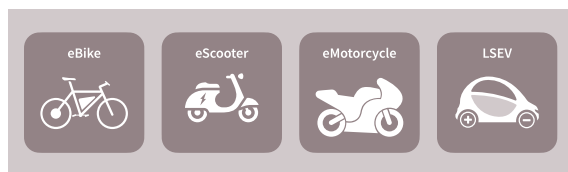
High-power low-voltage motor drives power both personal light e-mobility vehicles such as e-bikes, e-scooters, e-motorcycles, microEVs, as well as material handlers such as e-forklifts, delivery vehicles (xDVs), autonomous mobile robots (AMR), automated guided vehicles (AGV), and commercial, construction and agricultural vehicles (CAV). These applications can be collectively referred to as light electric vehicles (LEVs). LEVs have an ever-growing need for highly efficient, intelligent, and powerful motor-drive systems to address requirements such as high speed, high peak, and continuous torque, safety, reliability, and most of all, long battery lifetime. Infineon offers a comprehensive, end-to-end solution for every segment and variation of this diverse market with power levels ranging from 200 W to 50 kW. The **OptiMOS™** and **StrongIRFET2™** MOSFET families form a powerful yet efficient muscle of the system, while the **EiceDRIVER™** gate driver family offers a broad range of both isolated and non-isolated gate drivers. An array of motor control MCUs such as **iMOTION™**, **XMC™** and **AURIX™** along with their software/tools ecosystem, enable quick, easy, and tailor-made implementations of advanced motor control algorithms with necessary safety requirements. The **XENSIV™** current and angle/position sensors enable accurate closed-loop control. Along with an extensive product portfolio, Infineon simplifies and accelerates the design process by offering demonstration, evaluation, and reference boards, simulation models, application notes, comprehensive technical support, and a vibrant [developer community](#).

Features and benefits

Key features
› MOSFETs with best FOMs for drives with low $R_{DS(on)}$, low Q_{RR} , low ΔV_{GSth}
› Broad and deep microcontroller portfolio enabling varied design approaches (plug n play, optimized custom design), S/W tool libraries, hall and encoder I/F MATH Co-processor, $\Delta\Sigma$ demodulator, functional safety
› Gate drivers with robust isolation, TDI, high/programmable output current, active miller clamp
› Current sensors having high current range, coreless sensing, high resolution, noise immunity and programmability
› Hall switches, angle/position sensors and 3D angle sensors with high accuracy, low jitter and low power consumption

Key benefits
› Extended range/increase in battery life
› Precise motor control
› Enable compact motor drive design
› Quick and easy system-design enabling fast time-to-market
› Rugged, reliable and safe motor drives
› Proven Infineon quality ensuring durability and long life of the system

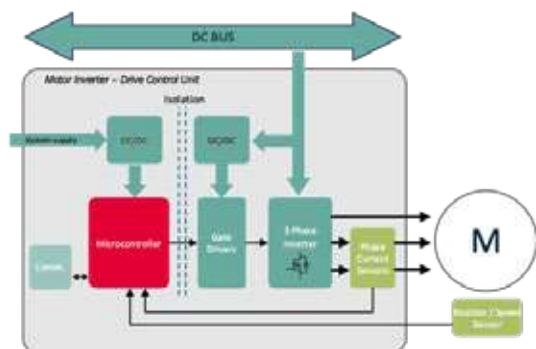
Personal e-mobility



Material handling



Application diagram



Product	Product family
3-phase inverter (MOSFETs)	OptiMOS™, StrongIRFET™
Microcontroller	iMOTION™ IMC 300, XMC™ 1300, 1400, XMC™4100, 4400, 4700
Gate driver	EiceDRIVER™
Position/speed sensor	XENSIV™ angle sensors and Hall switches
Current sensor	XENSIV™ current sensor

www.infineon.com/high-power-drive-up-to-200v

For more details on the product, click on the part number, visit infineon.com or contact our [product support](#).



Typical power level of the inverter system: 200 W-4 kW

Component	Product family	Package options	Battery voltage support (V)	Voltage class [V _{DS} max]	Representative part numbers	Features
Inverter/MOSFETs	StrongIRFET™ OptiMOS™	TOLL TOLG TOLT D ² PAK 7-pin D ² PAK TO-220 TO-247 SuperSO8	24-36	60	IPTG007N06N, IPTG007N06NM5, BSC012N06NS, ISC010N06NM5, IRFS7534, IPB026N06N, IPB010N06N, IRF60SC241, IRFS7537	Low R _{DS(on)} and low conduction losses, tight V _{GSth} spread for efficient paralleling, low Q _{rr} , soft body diode, innovative packages
			36-48	80	IPTG011N08NM5, IPTC012N08NM5, IPT012N08NM5, IPT010N08NM5, IPT012N08NF2S*, IPB015N08N5, IPB017N08N5, BSC019N08NS5, IPP024N08NF2S, IPB024N08NF2S, IPP016N08NF2S, IPP040N08NF2S, BSC037N08NS5, IPB049N08N5	

Component	Voltage class (V)	Configuration	Part number	Source/sink	Package	Features
Gate drivers	60	Three-phase	6EDL7141 NEW	1.5A/1.5A	VQFN-48	Configurable smart gate driver, integrated power management, and current sense amplifiers
	160	Three-phase	6ED2742S01Q*	1A/2A	QFN32	SOI, integrated BSD, trickle charge pumps, power management and current sense amplifiers, RFE
	160	High- and low-side	2ED2742S01G*	1A/2A	DFN10	SOI, integrated BSD, UVLO, separate VSS/COM, thermal pad
	160	Half-bridge	2ED2748	4A/8A	DFN10	SOI, integrated BSD, separate VSS/COM, thermal pad
	200	Three-phase	6EDL04N02PR	0.165A/0.375A	TSSOP-28	SOI, integrated BSD, OCP, enable, fault reporting, UVLO enable
	200	High- and low-side	IRS2005S	0.29A/0.6A	DSO8	V _{CC} and V _{bs} UVLO, matched propagation delay
	200	High- and low-side	IRS2011S	1/1 A	DSO8	UVLO, MT _{ON/OFF, max} =20 ns, 3.3 V-5 V input
	600	High- and low-side	2EDL05N06PF	0.36/0.7 A	DSO8	SOI, UVLO, MTON/OFF, max=60 ns, 3.3-15 V input, BSD
	600	Single high-side	IRS21271S	0.2/0.42 A	DSO8	UVLO, OCP, 3-15 V input, fault reporting
600	Three-phase	6EDL04N06PT	0.165A/0.375A	DSO-28	SOI, integrated BSD, OCP, enable, fault reporting, UVLO enable	

Typical power level of the inverter system: 4 kW-11 kW

Component	Product family	Package options	Battery voltage support (V)	Voltage class [V _{DS} max]	Representative part numbers	Features
MOSFETs	StrongIRFET™ OptiMOS™	TOLL, TOLG TOLT D ² PAK 7-pin D ² PAK TO-220 TO-247 SuperSO8	48-72	100-120	IPTG014N10NM5, IPTC015N10NM5, IPT015N10N5, IPT015N10NF2S*, IPB020N10N5, ISC022N10NM6, IPB017N10N5, IPTC030N12N3 G, IPB036N12N3 G, IPP039N10N5, IPB042N10NF2S*, IPP050N10NF2S	Low R _{DS(on)} and low conduction losses, tight V _{GSth} spread for efficient paralleling, low Q _{rr} , soft body diode, innovative packages
			72-96	135-150	IRF150P220, IPT039N15N5, IPTG039N15NM5*, IPTC039N15NM5*, IPB044N15N5, IPT044N15N5, IPB048N15N5, IPT054N15N5, BSC093N15NS5, IRFP4568, IPT063N15N5, IPB073N15N5, IRF779L2, IPP076N15N5, IRFS4115	

Component	Voltage class (V)	Configuration	Part number	Source/sink	Package	Features
Gate drivers	160 V	High- and low-side	2ED2738S01G*	4/8 A	DFN10 3x3mm	SOI, integrated BSD, UVLO, separate VSS/COM, thermal pad
	200 V	1-ch non-isolated	1EDN8550B	4/8 A	SOT23-6	True differential inputs, with ± 80 V static and ± 150 V dynamic ground-shift robustness, separate SRC/SNK output pins
	500 V	High- and low-side	IRS2110S	2/2 A	DSO-16W	MT _{ON/OFF, max} =10 ns, separate power and logic ground, SD pin, 3-20 V input
	600 V	High- and low-side	2EDL23N06PJ	2.3/2.8 A	DSO-14	3.3 V-15 V input, -100 V transient, PGND, SOI, integrated BSD, OCP, UVLO, enable, fault reporting
	600 V	High- and low-side	IRS21867S	4/4 A	DSO8	High current level shift gate driver with low V _{CC} operation
	650 V	High- and low-side	2ED2181S06 F/J	2.5/2.5 A	DSO8 (F) DSO-14 (J)	SOI, integrated BSD, 3.3-15 V input, MT _{ON/OFF, max} =35 ns, -100 V transient, separate logic and power ground (only J version)

Note: The MOSFET parts listed under various power-levels in the above tables is only for guidance purposes; higher power levels can be achieved even with lower voltage class MOSFETs through paralleling.



Typical power level of the inverter system: >11 kW

Component	Product family	Package options	Battery voltage support (V)	Voltage class [V _{DS max}]	Representative part numbers	Features
Inverter/MOSFETs	StrongIRFET™ OptiMOS™	TOLL TOLG TOLT D ² PAK 7-pin D ² PAK TO-220 TO-247	96-144	200	IRF200P222, IPB107N20N3G, IPTG111N20NMM3FD, IRFP4668, IRF200S234, IRFS4127	Low R _{DS(on)} and low conduction losses, tight V _{Gsth} spread for efficient paralleling, Low Qrr, soft body diode, innovative packages
			144-200	250-300	IRF250P224, IRF300P226, IPT210N25NFD, IPTG210N25NM3FD, IPB407N30N, IPB600N25N3 G, IRFP4868, IRFB4229, IRFS4229	

Component	Voltage class (V)	Configuration	Part number	Source/sink	Package	Features
Gate drivers	1200 V	1-ch isolated	1EDB8275F NEW	5.4/9.8 A	DSO8	3 kV basic isolation with CT technology, (UL1577), separate SRC/SNK output, UVLO (4 types), CMTI > 300 V/ns
	1200 V	1-ch isolated	1EDI60N12AF	10/9.4 A	DSO8	Short circuit clamping, active shut-down, UVLO, separate SRC/SNK output, 3.3-15 V input
	1200 V	2-ch isolated	2EDB8259F*	5.4/9.8 A	DSO-16	3 kV basic isolation w. CT technology, (UL1577), UVLO (4 types), DIS, STP/DTC, CMTI > 300 V/ns
	1200 V	2-ch isolated	2EDF7275F	4/8 A	DSO-16	1.5 kV functional isolation, high CMTI, UVLO, SLDO, DIS, DTC

Microcontrollers and sensors for precision control and accurate sensing (power-level agnostic)

Component	Product family	Core/ MaxClock speed	Representative parts	Package	Features
Microcontroller	iMOTION™	Arm® Cortex® M0, 48 MHz	IMC301A-F048, IMC301A-F064	LQFP-48, LQFP-64	UART, SPI, I ² C, LIN, MATH, 2x ACMP, CCU4
	XMC™	Arm® Cortex® M0, 32 MHz	XMC13xx	TSSOP-16/28/38, VQFN-24/40,	UART, SPI, I ² C, I ² S, POSIF, MATH, 3x ACMP, CCU8
		Arm® Cortex® M0, 48 MHz	XMC14xx	TSSOP-38, VQFN-40/48, LQFP-64	UART, SPI, I ² C, I ² S, CAN, POSIF, MATH, 4x ACMP, 2x CCU8
		Arm® Cortex® M4F, 80 MHz	XMC41xx	VQFN-48, TQFP-64	UART, SPI, I ² C, I ² S, CAN, POSIF, HRPWM, CCU8
		Arm® Cortex® M4F, 80 MHz	XMC42xx	VQFN-48, TQFP-64	UART, SPI, I ² C, I ² S, CAN, POSIF, HRPWM, CCU8
		Arm® Cortex® M4F, 120 MHz	XMC44xx	TQFP-64/100	Ethernet, USB, UART, SPI, I ² C, I ² S, CAN, POSIF, HRPWM, CCU8
		Arm® Cortex® M4F, 144 MHz	XMC47xx	TQFP-100/144, LFBGA-196	Ethernet, USB, UART, SPI, I ² C, I ² S, CAN, POSIF, SD/MMC, CCU8

Component	Product family	Representative parts	Features
Angle/position sensors	XENSIV™ Hall switches (end of shaft/out of shaft)	XENSIV™ TLx4961/68	3-32 V operation, active error compensation, high stability magnetic thresholds, low jitter
	XENSIV™ angle sensor (end of shaft)	XENSIV™ TLI5012	Integrated angle calculation, incremental interface, SPI with 8 Mbit/s, ≤ 1.9° angle error over temperature/life, integrated giant magneto resistance-based angle sensor, 15-bit representation of angle value with 0.01° resolution, bi-directional SSC interface
		XENSIV™ angle sensor	
	XENSIV™ 3D magnetic sensor (end of shaft/out of shaft)	XENSIV™ TLI493D	Enables out-of-shaft angular sensing, ±50 mT to ±160 mT ranges, up to 30.8 LSB12/MT sensitivity, low power mode, low offset and match drift, wake up function
Current sensor	XENSIV™ magnetic coreless current sensor	XENSIV™ TLI4971	±25 A, ±50 A, ±75 A and ±120 A measurement range, 240 kHz bandwidth, low sensitivity error over temperature, galvanic functional isolation up to 1150 V, differential sensing, two independent over current detection outputs, user programmable parameters
		XENSIV™ TLE4972	Analog output, up to ±1000 A measurement range, 210 kHz bandwidth, fast overcurrent detection output with programmable threshold, differential sensing, galvanic isolation between current rail and sensor, user programmable parameters

Design resources

Low-voltage drives scalable power demoboard platform

XMC™ demonstration and eval boards

XENSIV™ TLE-5501 evaluation kit

XENSIV™ current sensors evaluation boards

www.infineon.com/pmsm-below-200v

* Coming soon

For more details on the product, click on the part number, visit infineon.com or contact our [product support](#).





System specification exemplar

$V_{bat} = 24\text{ V}$, 500 W PMSM motor

Component	Features
MOSFETs	BSC012N06NS
Microcontroller	IMC301A-F048/XMC1302-T038X-0032
Gate driver	6ED2742S01Q*
Position/speed sensor	TLI49611MXTMA1
Current sensor	TLI4971-A120T5-U-E0001



System specification exemplar

$V_{bat} = 48\text{ V}$, 3 kW PMSM motor

Component	Features
MOSFETs	IPTC012N08NM5
Microcontroller	IMC301A-F064/XMC1403-Q048X0200 AA
Gate driver	2ED2738S01G*
Position/speed sensor	TLE5012B E1000
Current sensor	TLI4971-A120T5-U-E0001



System specification exemplar

$V_{bat} = 96\text{ V}$, 6 kW PMSM motor

Component	Features
MOSFETs	IPT039N15N5
Microcontroller	XMC1404-F064X0200 AA
Gate driver	2EDB8259F*
Position/speed sensor	TLE5501 E0002
Current sensor	TLE4972-AE35S5



System specification exemplar

$V_{bat} = 48\text{ V}$, 20 kW PMSM motor

Component	Features
MOSFETs	IPTG014N10NM5
Microcontroller	XMC4700-F100K1536 AA
Gate driver	2EDB8259F*
Position/speed sensor	TLE5501 E0002
Current sensor	TLE4972-AE35S5





Uninterruptible power supply (UPS)

Attractive solutions for highest efficiency and power density

Today's uninterruptible power supply systems introduce a wide range of challenges. Overcoming them requires an increase in output power, energy efficiency and power density. We offer complete system-level solutions and high quality products for diverse uninterruptible power supply applications. Equipped with our semiconductors, UPS applications can achieve best-possible power-conversion efficiency and cutting-edge power density. The benefits are cost reduction and fewer passive components – regardless of the topology used.

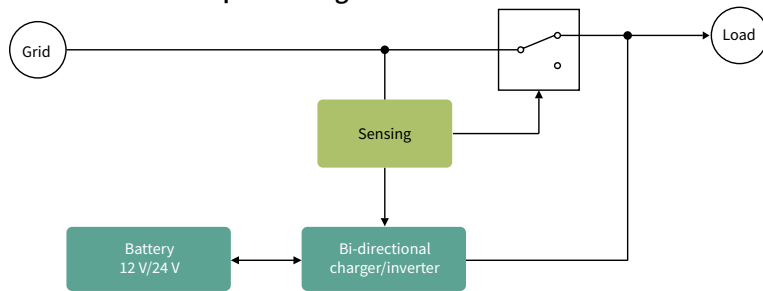
Our solutions and products for UPS applications fulfill the latest market requirements. This includes the trend of modularization of UPS brick units due to scalable power demand from data centers, as well as the topology shift from two-level to three-level to achieve higher efficiency. Our products are suitable for any kind of uninterruptible power supplies in telecom, data center, server or industrial automation environments.

	Offline UPS	Online UPS
MOSFETs	<p>OptiMOS™ and StrongIRFET™ 20-300 V</p> <p>CoolMOS™ SJ MOSFETs 500-950 V</p>	
SiC diodes		CoolSiC™ Schottky diode
IGBTs		TRENCHSTOP™ IGBT7 TRENCHSTOP™ 5
Power module and stack		EasyPACK™
Driver ICs	EiceDRIVER™ 1EDi EiceDRIVER™ 2EDi	EiceDRIVER™ X3 Compact
Auxiliary power supply		CoolSET™ 650-800 V
Microcontrollers	XMC1300 series	

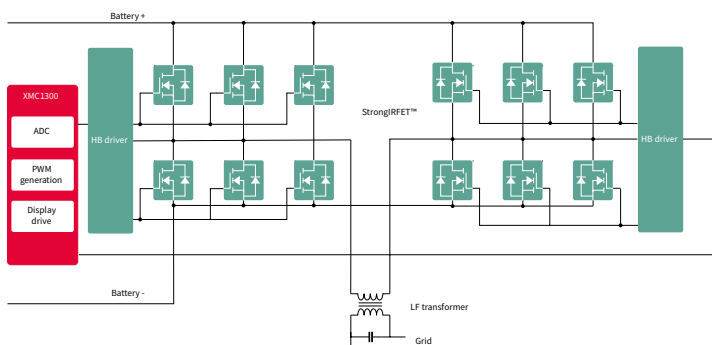


Offline UPS

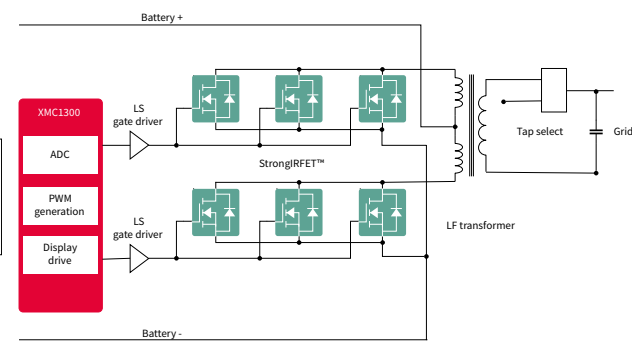
Bi-directional UPS power stage



Full-bridge bi-directional power stage



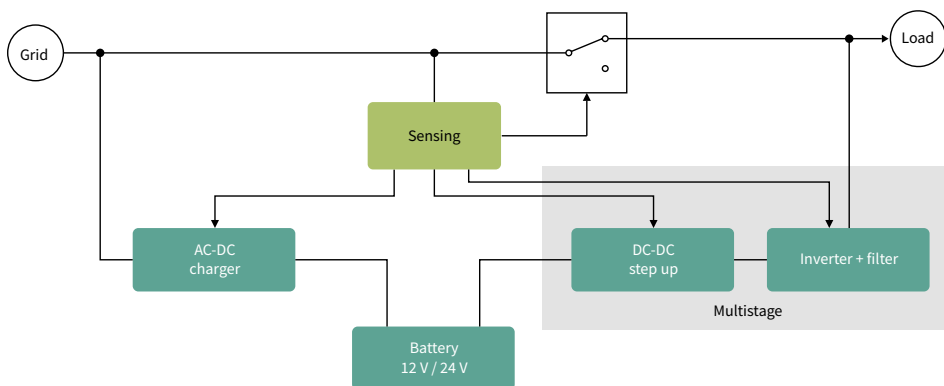
Push-pull bi-directional power stage



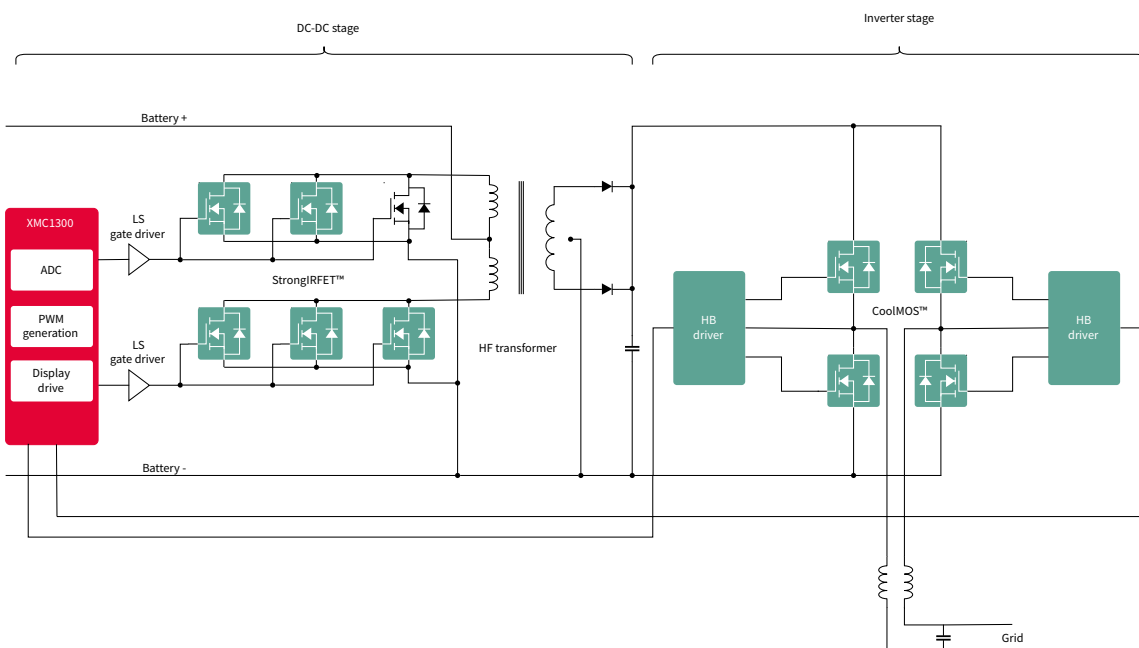
	Battery voltage	Topology	MOSFET breakdown voltage	TO-220	TO-247	D ² PAK and D ² PAK-7	Gate drivers	
Inverter/charger MOSFETs	12 V	Push-pull	60 V	IRFB7530 IRFB7534 IRFB7540 IRFB7545	IRFP3006 IRFP7530 IRFP7537	IRFS7530 IRFS7530-7P	IRS44273 IRS4427 1EDN751x 2EDN851x*	
		Full-bridge	30 V 40 V	IRLB3813 IRLB8314 IRLB8743 IRFB7430 (40 V)	IRFP7430	IRFS7430 (40 V) IRFS7430-7P (40 V)	IRS211X* IRS2186 2EDL811X 1EDN7550B	
	24 V	Push-pull	75 V 100 V	IRFB3077 IRFB3207 IRFB7730 IRFB7734	IRFP7718	IRFS7430 IRFS7734 IRF3610S (100 V) IRFS4010 (100 V)	IRS44273 IRS4427 1EDN851X 2EDN852X	
		Full-bridge	40 V 60 V	IRFB7430 IRFB7434 IRFB7545 (60 V) IRF60B217 (60 V)	IRFP7530 IRFP3006 IRFP7537	IRFS7430 IRFS7430-7P IRF7430* IRFS7530-7P	IRS211X* IRS2186 2EDL811X 1EDN7550B	
	48 V	Push-pull	150 V	IRFB4115 IRFB4321 IPP046N15N5* IRFB4228 IRFB4019	IRFP4568 IRFP4321 IRF150P220 IRF150P221	IRFS4321 IRFS4115 IRB048N15N5* IRFS4615	IRS44273 IRS4427 1EDN851X 2EDN852X	
		Full-bridge	100 V	IPP030N10N IRFB4110 IPP086N10N3G IRFB4510 IPP180N10N3G	IRFP4468 IRFP4110 IRF100P218 IRF100P219	IRFS3610* IRF3710S IRF8010S IRFS4510 IRFS4010	IRS211X* IRS2186 2EDL811X 1EDN8550B	
	72 V	Push-pull	200 V	IPP110N20N3 IRFB4127 IRFB4227 IPP320N20N3 IRFB4320*	IRF200P222 IRFP4668 IRF200P223 IRFP4127 IRFP4227	IPB110N20N3LF IRFS4127 IRFS4227 IRFB117N20NFD* IRF200S234	IRS44273 IRS4427 1EDN851X 2EDN852X	
		Full-bridge	150 V	IRFB4321 IPP046N15N5*	IRFP4568 IRF150P220	IRFS4321 IRB048N15N5*	IRS211X* IRS2186 2EDL811X	
		Full-bridge	200 V	IPP110N20N3 IRFB4227	IRFP4568 IRFP4668	IPB110N20N3LF IRFS4127	IRS211X* IRS2186 2EDL811X	
	Microcontrollers	12-72 V	XMC1300 series					



Unidirectional



Unidirectional power stage (output stage)



Unidirectional DC-DC stage

Battery voltage	Topology	MOSFET breakdown voltage	TO-220	TO-247	D'PAK and D'PAK-7	Gate drivers
12 V	Push-pull	40 V	IRFB7430 IRFB7434	IRFP7718	IRFS7430 IRFS7430-7P IRF7430*	IRS44273 IRS4427 1EDN851X 2EDN852X
		60 V	IRFB7540 IRFB7545 IRF60B217		IRFS7530-7P	
		75 V		IRFP7718		
24 V	Push-pull	75 V	IRFB3077 IRFB3207 IRFB7730 IRFB7734	IRFP7718	IRFS7730 IRFS7734	
		100 V		IRF100P218 IRFP4468	IRFS4010 IRFS3610S	
		150 V	IRFB4115 IRFB4321 IPP046N15N5* IRFB4228 IRFB4019	IRF150P220	IRFS4321 IRFS4115 IRB048N15N5* IRFS4615	
Microcontrollers		XMC1300 series				





Unidirectional inverter stage

Battery voltage	Topology	MOSFET breakdown voltage	TO-220	TO-247	Gate drivers
200 V	Full-bridge inverter 120 V _{AC}	300 V	IPP410N30N IRFB4137	IRF300P226 IRF300P227 IRFP4868 IRFP4137	IRS211X* IRS2186
400 V	Full-bridge inverter 220 V _{AC}	500 V	IPP50R280CE IPP50R380CE IPP50R190CE	IPW50R190CE	IRS211X* IRS2186
Microcontrollers		XMC1300 series			

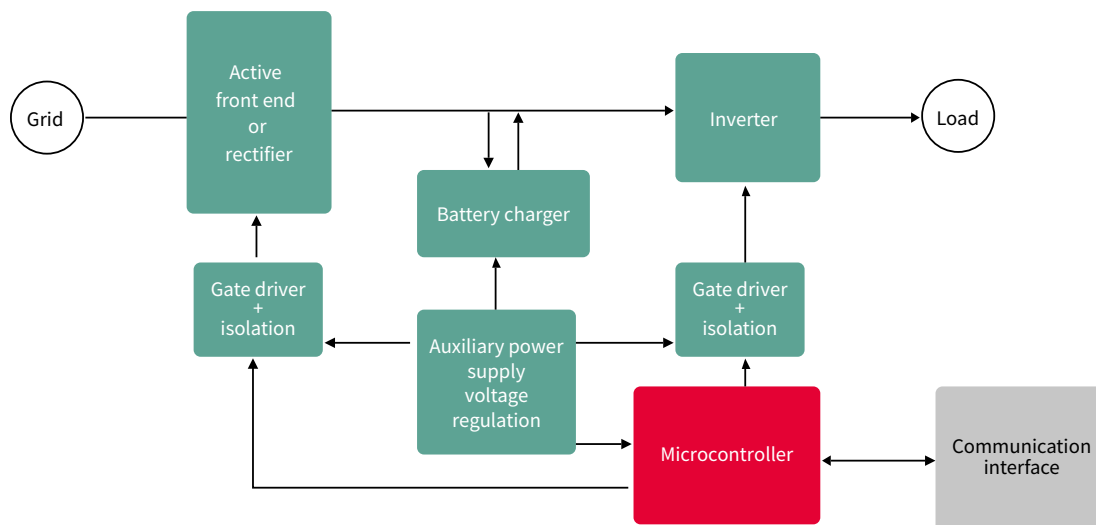
Unidirectional charger

Battery voltage	Topology	MOSFET breakdown voltage	TO-220	TO-247	PG-DIP-7
12-72 V	Flyback	650 V	CoolSET™		ICE3RBR1765JZ ICE3RBR0665JZ
12-72 V	Flyback	800 V	CoolMOS™ P7	IPP80R750P7 IPP80R600P7 IPP80R450P7 IPP80R360P7 IPP80R280P7	
Microcontrollers		Integrated, ICE3AS03LJG, ICE3BS03LJG			



Online UPS

Online UPS power stage



Stage	Topology	Voltage class	Technology	Part number
Rectifier	Three-phase	800 V/1600 V	EasyBRIDGE, EconoBRIDGE™	
PFC	Boost PFC / Vienna “T-type”	1200 V	TRENCHSTOP™ IGBT6	IKW40N120CS6 IKQ75N120CS6
	Boost PFC / Vienna rectifier	1200 V	CoolSiC™ MOSFET	F3L15MR12W2M1_B69
	Boost PFC / Vienna “T-type”	650 V	TRENCHSTOP™ 5 H5	IKW50N65EH5 IKW75N65EH5
	Boost PFC	600 V/1200 V	EasyPACK™	
	Boost PFC	1200 V	CoolSiC™ Schottky diode	
	PFC	600 V	CoolMOS™ P7	IPP60R060P7 IPB60R060P7
	PFC	600 V	CoolMOS™ C7	IPP60R040C7 IPB60R040C7
Inverter	NPC 1	650 V	TRENCHSTOP™ 5 H5	IKW50N65EH5 IKW75N65EH5 IKZ50N65EH5 IKZ75N65EH5
	NPC 1	650 V	TRENCHSTOP™ 5 S5	IKW50N65ESS IKW75N65ESS
	NPC 1	650 V	TRENCHSTOP™ HighSpeed3 IGBT Rapid diode	FS3L50R07W2H3F_B11
	NPC 2	1200 V	TRENCHSTOP™ IGBT6	IKW40N120CS6 IKQ75N120CS6
	NPC 2	1200 V	CoolSiC™ Schottky diode	
	NPC 2	1200 V	TRENCHSTOP™ HighSpeed3 IGBT Rapid diode	FS3L25R12W2H3_B11 F3L200R12W2H3_B11 F3L200R12W2H3_B47*
	NPC 2	650 V	TRENCHSTOP™ 5 S5	IKW50N65ESS IKW75N65ESS
	Two-level	1200 V	EconoPACK™, EasyPACK™	FS75R12W2T4_B11 FS200R12KT4R_B11
	Two-level	1200 V	EconoDUAL™	FF600R12ME4_B11
	Three-level NPC1	600 V/1200 V	EconoPACK™	F3L300R07PE4
Battery charger	Half-bridge	1200 V	TRENCHSTOP™ IGBT6	IKW40N120CS6 IKQ75N120CS6
		1200 V	CoolSiC™ MOSFET	FF6MR12W2M1_B11
		650 V	TRENCHSTOP™ 5 H5	IKW50N65EH5 IKW75N65EH5
Gate driver ICs	Single-channel	2300 V	EiceDRIVER™ X3 Compact	1ED3122MC12H 1ED3124MC12H
AUX	-	650-800 V	CoolSET™	

www.infineon.com/ups

*For more information on the product, contact our product support

For more details on the product, click on the part number, visit infineon.com or contact our [product support](#).





Smart devices with NFC interface

NFC-based configuration, actuation and sensing applications

Near-field communication (NFC) is a mature technology for contactless exchange of data over short distances. Besides the data exchange, NFC technology itself can also transfer power from the polling device to the receiver devices. Due to the working principle of resonant coupling, power transmission via NFC is efficient and user-friendly because it is less sensitive to antenna/coil alignment. The combination of data exchange and energy transfer in one interface and the availability in billions of smartphones make NFC exciting enabler for the following novel use cases:

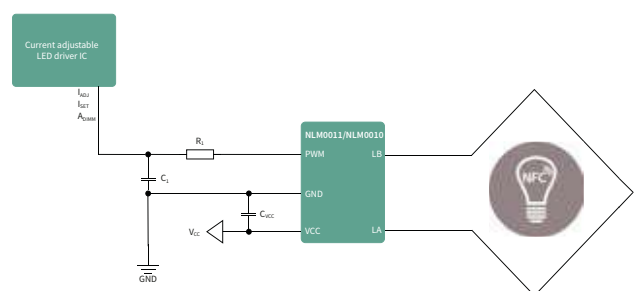
Passive device parameter configuration: Programming or configuring product operation parameters is sometimes complicated because of access problems or equipment requirements. Using an NFC interface, contactless or even passive operation can be performed anywhere. Modern LED power supplies are already equipped with the NFC interface to enable output current configuration in production, sales channel, and the field. Infineon's [NLM product series](#) supports customers to enable NFC configuration functions effectively.

Smart actuator and sensing devices: In the IoT age, smart devices help people make their life easier and more sustainable. NFC technology provides an option to develop battery-less smart devices that operate when the NFC reader device, like a mobile phone, is present. As a complement to mainstream active IoT technology, passive NFC technology is suitable for use cases like a passive smart lock, passive sensor inlay, medical care patch, etc.

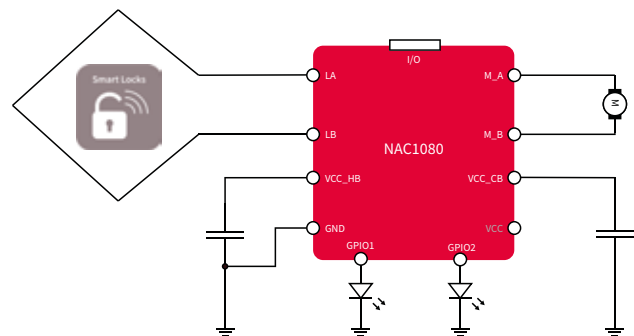
With Infineon's new [NFC tag-side controller](#) family a single-chip solution is available to develop cost-effective, miniaturized, actuation or sensing applications operating in either passive or active mode. The [NAC1080](#), with integrated H-bridge and energy harvesting modules, enables cost-effective development of passive smart actuators like passive locks.

The [NGC1081](#) is a low-power controller with ADC/DAC unit, integrated temperature sensor, and sophisticated analog and digital I/Os. It is the ideal solution for contactless sensing applications like temperature logger, gas detector, sensor inlay, medical patch, etc. Furthermore, both sensing and actuation control capability make the [NGC1081](#) a unique product in the market, ideally suited for applications that require these functions – for example, radiator thermostats.

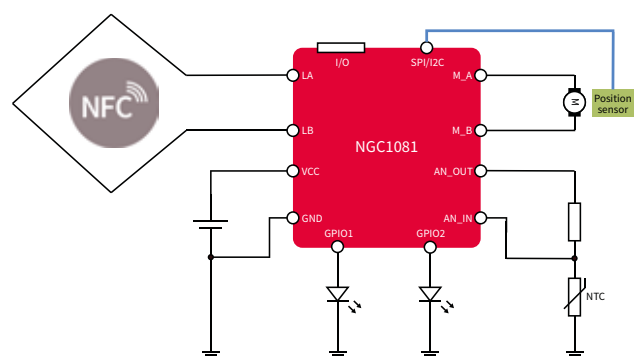
Example: NFC LED power supply



Example: NFC passive lock



Example: Smart radiator thermostat





NFC configuration – NLM series

Type	Description	Package	Ordering code
NLM0011	Dual-mode NFC configuration IC with PWM output and CLO function	SOT23-5	NLM0011XTSA1
NLM0010	Dual-mode NFC configuration IC with PWM output, without CLO function	SOT23-5	NLM0010XTSA1

See [LED lighting](#) chapter for more information.

NFC actuation and sensing – NAC1080 and NGC1081

Highly integrated single-chip solution

The low-power Arm® Cortex®-M0 based microcontroller with integrated NFC frontend, sensing unit, motor driver, and energy harvesting function enables customers to develop smart actuation and sensing devices with minimum system BOM requirement.

Full flexible software-defined functions

The flexible IC architecture and the smart partitioning between hardware and software enable customers to maximize the utilization of software-defined functions.

Build-in security functions to meet the application requirements

These ICs include hardware security functions such as secure area in Flash, 128 bit AES accelerator and true random generator. A separate secure element can be connected via the digital interface on demand.

Type	NFC	Processor	RAM	NVM	ADC	DAC	I2V	H-Bridge	I ² C	SPI	UART	GPIO	Analog-in	Package
NAC1080	ISO14443A	32-bit Arm® Cortex®-M0	16 kB	60 kB	no	no	no	yes	no	yes	yes	7x	no	PG-DSO-16
NGC1081*	ISO14443A	32-bit Arm® Cortex®-M0	16 kB	60 kB	12 bit	10 bit	yes	yes	yes	yes	yes	16x	X4	PG-VQFN-32

www.infineon.com/CPS

* Please, check product availability at our webpage.

For more details on the product, click on the part number, visit infineon.com or contact our [product support](#).





Applications

Appliances and consumer electronics,
ITC infrastructure, renewables, robotics, e-mobility

- › Major home appliances
- › Home appliances
- › Power and gardening tools
- › Wrist-worn devices
- › Class D audio amplifiers
- › Smart speaker
- › Surveillance camera
- › LED lighting
- › Plug & LEDs play solutions
- › Smart lighting solutions
- › ITC solutions
- › Solar
- › Energy storage systems
- › Robotics
- › Onboard chargers for xEV applications
- › Light electric vehicles and forklift

Dear users!

Our customers are at the heart of everything we do. Please give us feedback on how we can improve to meet your expectations with this document the best.

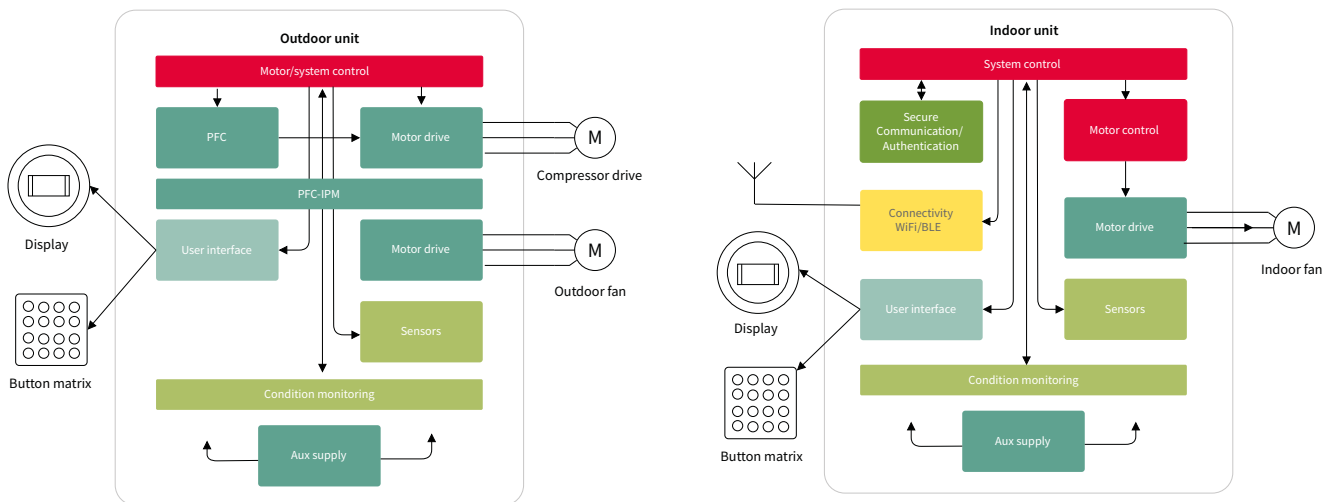




Major home appliances

Innovative approach for air conditioning

Product designers are facing the daunting challenge of developing smaller, smarter, more powerful, and more energy-efficient appliances. Based on industry-leading technology and manufacturing expertise, Infineon’s line of innovative components for household appliances meets and exceeds even the most rigorous requirements for reliability and quality. The block diagram of an air conditioning system shown below, together with the product selection table, provides an effective recommendation for engineers to select the right component for each power management stage inside major home appliances.



In addition to efficiency gain through power solutions, Infineon’s XENSIV™ sensor portfolio also enhances major home appliances’ operation through advanced sensor-enabled use cases such as condition monitoring and predictive maintenance to detect potential device failures before they occur. Furthermore, integration of voice control or presence detection in those appliances increases user convenience and results in even more efficient devices.

Product category	Product family	Selection/benefits
Sensors	Pressure sensor	Airflow monitoring
	MEMS microphone	Noise monitoring
	Magnetic current sensor	Current sensing
	3D magnetic sensor	Vibration and position monitoring
	Linear Hall sensor	Linear vibration monitoring
	Hall sensors and switches	Opened and closed lid detection
	Double Hall sensor	Speed and direction measurement
	32-bit XMC4000 industrial microcontroller Arm® Cortex®-M4	Data processing, sensor system management, cloud connection management and ethernet connectivity
	OPTIGA™ embedded security solutions	Data and cloud security



Recommended products

Functional block	Topology	Voltage class	Technology/product family	Selection/benefit
Outdoor unit (ODU) PFC	iMOTION™ controller	-	IMC302A-F064	Motor/PFC controller incl. software
	Non-isolated EiceDRIVER™	25 V	1ED44175N01B	Integrated over-current protection
	Non-isolated EiceDRIVER™	25 V	1ED44171N01B	Cost/performance
	TRENCHSTOP™ IGBT WR5/WR6	650 V	IKW30N65WR5, IKWH30N65WR6	Recommended
	TRENCHSTOP™ 5 IGBT advanced isolation	650 V	IKFW40N65DH5	Easy to use
	TRENCHSTOP™ IGBT7	650 V	IKW30N65ET7	Recommended
	Rapid 1 Diodes	650 V	IDW60C65D1	Recommended
	CIPOST™ Mini	600 V	CIPOST™ Mini PFC interleaved IPM series IFCM20T60GD / IFCM20U60GD / IFCM30T60GD / IFCM30U60GD CIPOST™ Mini PFC integrated IPM series IFCM10P60GD / IFCM10S60GD / IFCM15P60GD / IFCM15S60GD IM564-X6D	Easy to use/system size saving
	CoolMOS™ SJ MOSFETs	600 V	IPP60R120P7	Recommended
ODU motor drive (compressor)	iMOTION™ controller	-	IMC302T-F064	Motor/PFC controller incl. software
	CIPOST™ IPM	600 V	CIPOST™ Tiny IM323 series	Easy to use/system size saving
		-	CIPOST™ Mini	
	Level-shift EiceDRIVER™	600 V	6EDL04I06PT	Recommended
	TRENCHSTOP™ IGBTs	600 V	IKD15N60RC2	Recommended
ODU motor drive (outdoor fan)	iMOTION™ controller	-	IMC101T-T038	Motor/PFC controller incl. software
	CIPOST™ IPM	600 V	CIPOST™ Micro IM241 series	Easy to use/system size saving
	Reverse Conducting Drive 2	600 V	IKD06N60RC2	Recommended
	CoolMOS™ SJ MOSFETs	600 V	IPD60R1K0PFD7S	Recommended
Condition monitoring and predictive maintenance	XENSIV™ Hall switches	-	TLI4963-2M	Recommended
	XENSIV™ pressure sensor	-	DPS368	Recommended
	XENSIV™ MEMS microphone	-	IM69D130	Recommended
	XENSIV™ Hall sensors	-	TLE4961, TLE4964, TLE4913, TLI4966G	Recommended
	XENSIV™ 3D magnetic sensor	-	TLI493D-W2BW	Vibration and position monitoring
	XMC4000 microcontroller	-	XMC4700	Recommended
Indoor unit (IDU)	XMC™ microcontroller	-	XMC1400; XMC4100	Recommended
	iMOTION™ controller	-	IMC302A-F064	Motor/PFC controller incl. software
	PSoc™ 6	-	CY8C62x4/5	Recommended
IDU motor control	XMC™ Microcontroller	-	XMC1300, XMC1400	Recommended
	iMOTION™ controller	-	IMC101T-T038	Motor/PFC controller incl. software
	CIPOST™ IPM	600 V	CIPOST™ Nano	Easy to use/system size saving
IDU motor drive	iMOTION™ IPM	-	IMM101T-015M	Motor/PFC controller incl. software
	Level-shift EiceDRIVER™	-	6EDL04I06PT	Recommended
	Reverse Conducting Drive 2	600 V	IKN03N60RC2, IKD04N60RC2	Recommended
	CoolMOS™ SJ MOSFETs	600 V	IPN60R1K5PFD7S	Recommended
Security	OPTIGA™ Trust family	-	OPTIGA TRUST M SLS32AIA	Recommended
Connectivity Wi-Fi/BLE	AIROC™	-	CYW43439	Recommended
User interface	PSoc™ 6	-	CY8C62x4/5	Recommended
Sensors	XENSIV™ radar	-	BGT60LTR11AIP	Recommended
	XENSIV™ PAS CO2	-	PASCO2V01	Recommended
	XENSIV™ MEMS microphone	-	IM69D130	Recommended
	XENSIV™ Hall switches	-	TLI4963-2M	Recommended
Auxiliary supply	CoolMOS™ SJ MOSFETs	800 V	IPN80R4K5P7	Recommended
	CoolSET™	700 V	ICE5AR4770BZS	Flyback with error amplifier
UV-C LED for health	LED driver ICs	42 V	BCR43x	Recommended

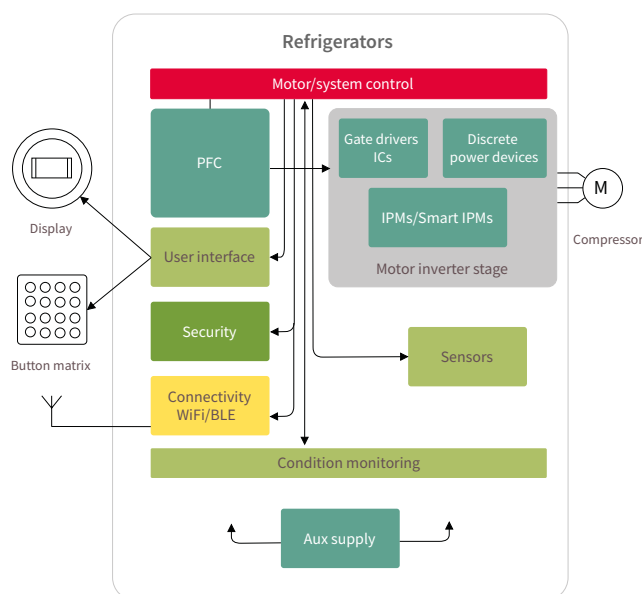




Refrigerators

Higher efficiency at lower cost

Today, consumers are not only looking at energy consumption and noise levels. Compact design coupled with maximum storage space is also playing an increasingly important role. In addition, there is a desire for intelligent appliances that can be easily integrated into the home network. From the manufacturer's point of view, the challenge is to meet the stricter regulations on energy efficiency while at the same time ensuring the form factor and a reduction in costs. Thus, intelligent, compact, energy- and cost-efficient drive solutions for refrigerators and freezers meet the high customer requirements.



Infineon offers a comprehensive portfolio for refrigerator compressors. Whether you choose the highest level of integration with our intelligent power modules (IPM) or aim for the best price/performance ratio with discrete components, our IGBTs, MOSFETs, gate drivers, and microcontrollers are designed to work together seamlessly. CIPOS™ family of IPMs is the optimal solution for highly integrated compressor drives whilst discrete solutions like the 600 V RC-D2 IGBT or the CoolMOS™ PFD7 SJ MOSFET are the best choice whenever layout flexibility and thermal performance optimization are the key design targets. If full-load operation and EMI performance are key for the design, the 600 V RC-D2 is the best choice. The diode is monolithically integrated and its current rating has been optimized for price and performance. The RC-D2 is the first IGBT family to introduce the SOT-223 package to further improve the price with a smaller package that is pin-to-pin compatible and substitutable with the DPAK package. They can all be combined with iMOTION™ products for dedicated motor control. For the auxiliary power supply, the CoolSET™ family rounds up our power portfolio by offering increased robustness and performance.

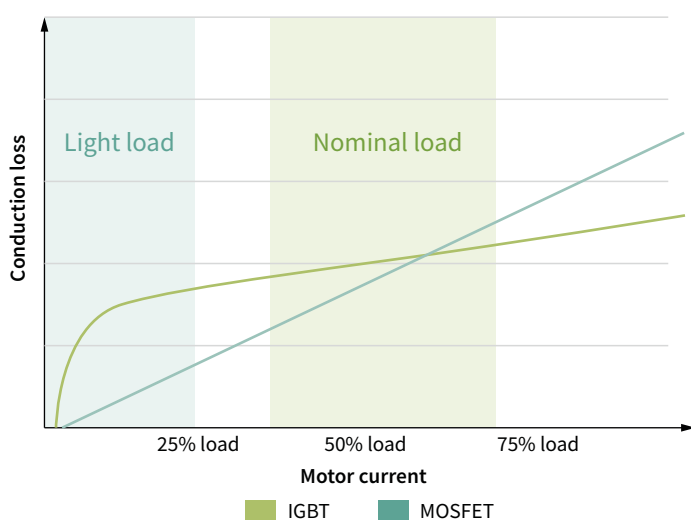
Our PSoC™ microcontroller family, AIROC™ Wi-Fi & Combos connectivity products and XENSIV™ sensors complete the portfolio needed for a truly smart refrigerator. The energy-efficient CIPOS™ modules integrate various power and control components to increase reliability, optimize board size and reduce system costs. This simplifies power supply design and shortens time-to-market. Infineon offers the OPTIGA™ Trust hardware security solution and enables secure access to all major cloud providers.



CoolMOS™ PFD7 for next-level energy saving

Although both MOSFETs and IGBTs can be used in refrigerator compressor drives, as most of the time, the refrigerator operates under light load, the MOSFET is highly recommended due to its lower conduction loss, thus reducing overall power loss at this condition.

The 600 V CoolMOS™ PFD7 high-voltage MOSFET series, shaped by Infineon's experience of more than twenty years in pioneering in superjunction SJ technology innovation, sets a new benchmark in 600 V SJ technologies. This product family combines best-in-class performance with state-of-the-art ease of use, features an integrated fast body diode ensuring a robust device and allowing for reduced BOM for the customer.



Smart, connected and secured – system solutions for the new home appliance era

Modern refrigerators can sense their environment by being smart and connected. They provide data to their users as well as to the manufacturer (who can remotely analyze the performance data and suggest preventive maintenance). In this data exchange, secure communication systems play a crucial role.

Components and system solutions from Infineon enable you to build smart home appliances while providing secure data acquisition, control, and device connectivity. Furthermore, they enable the highest device efficiency, smallest form factors, and improved carbon footprint with smart power supply designs. Benefit from one of the most comprehensive, out-of-the-box product and design portfolios on the market to best meet your unique application needs.



Recommended products

Functional block	Topology	Voltage class	Technology/product family	Selection/benefit
System/motor control	XMC™ microcontroller	-	XMC1400; XMC4100	Recommended
PFC	iMOTION™ driver	-	IMD112T-6F040	Motor/PFC controller incl. software
	Non-isolated EiceDRIVER™	25 V	1ED44171N01B	Integrated over-current protection
		25 V	1ED44175N01B	Cost/performance
	CoolMOS™ SJ MOSFETs	600 V	IPP60R120P7	Recommended
	CoolSiC™ Diodes	650 V	IDW30G65C5	Recommended
Inverter	Level-shift EiceDRIVER™	600 V	6EDL04N06PT	Recommended
		650 V	2ED2304S06F	
	XMC™ microcontroller	-	XMC1400; XMC1300	Recommended
	iMOTION™ controller	-	IMC102T-F048	Motor/PFC controller incl. software
	iMOTION™ driver	-	IMD111T-6F040	Motor/PFC controller incl. software
	iMOTION™ IPM	-	IMM101T-046M	Motor/PFC controller incl. software
	CIPOS™ IPM	-	CIPOS™ Mini IGCM04G60GA CIPOS™ Micro IM241 series	Easy to use/system size saving
	Reverse Conducting Drive 2	600 V	IKN04N60RC2 IKD06N60RC2	Recommended
CoolMOS™ SJ MOSFETs	600 V	IPN60R1K5PFD7S IPN60R600PFD7S	Recommended	
User interface	PSoc™ 6	-	CY8C62x4/5	Recommended
Connectivity Wi-Fi/BLE	AIROC™	-	CYW43439	Recommended
Auxiliary supply	CoolMOS™ SJ MOSFETs	800 V	IPN80R4K5P7	Recommended
	CoolSET™	700 V	ICESAR4770BZS	Flyback with error amplifier
Security	OPTIGA™ Trust family	-	OPTIGA TRUST M SLS32AIA	Recommended
Sensors	XENSIV™ radar sensor	-	BGT60LTR11AIP	Recommended
	XENSIV™ pressure sensor	-	DPS368	Recommended
	XENSIV™ MEMS microphones	-	IM69D130	Recommended
	XENSIV™ PAS CO2 sensor	-	PAS CO2	Recommended
	XENSIV™ magnetic position sensors	-	TLV493D-A1B6	Recommended

XENSIV™ sensor solutions for smart refrigerators

Product category	Product family	Benefits
Sensors	XENSIV™ MEMS microphones IM69D130	High-performance microphone with low self-noise (high SNR) and low distortions enables noise monitoring for advanced predictive maintenance analytics
	XENSIV™ digital barometric pressure sensors DPSxxx	Advanced predictive maintenance analytics are enabled based on highest precision and relative accuracy over a wide temperature range to detect anomalies in airflow
	XENSIV™ TLV493D-A1B6 3D magnetic sensor	Accurate three-dimensional sensing with extremely low power consumption in a small 6-pin package to enable vibration and position monitoring of the compressor
	XENSIV™ TLI4970 current sensor	Fully digital solution featuring high precision and ease of use, significantly reduces overall implementation efforts as well as PCB space to enable cost fan and compressor current measurement
	XENSIV™ 60 GHz radar sensor	Accurate presence detection and vibration detection based on ability to track sub-millimeter motion at high speed and accuracy, in both stand-alone chip as well as system solution available





Ceiling fan

Energy-efficient and cost-effective with high integration for system size-reduction

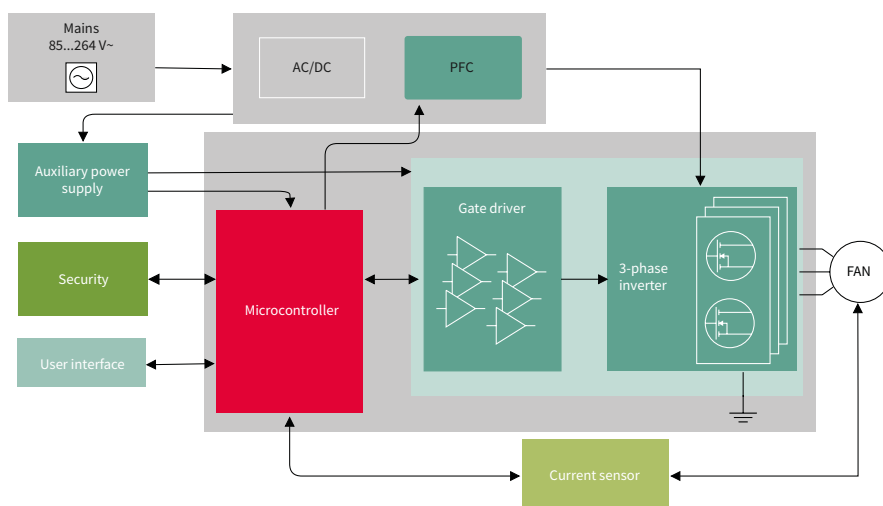
Ceiling fan manufacturers currently face more stringent regulations of the appliance's form factor and are under constant pressure to reduce costs. Infineon is here to provide compact, energy-efficient, cost-effective motor drive solutions. Infineon proposes a competitive solution with an extensive portfolio, high integration for system size reduction, and low cost.

Infineon is your ideal partner for all ceiling fan designs. In our portfolio, you'll find a wide range of solutions for inverterized fan motor control – whether your priority is achieving the highest level of integration using our IPMs or showcasing ultimate flexibility with the right price-performance ratio using our discrete IGBTs or MOSFETs. No matter your target, our power semiconductors, drivers, IPMs, and iMOTION™ motor controllers are designed to work together seamlessly. This means you can effortlessly realize smoother-running, quieter systems with low energy consumption and a smaller form factor.

Features and benefits

Key features	Key benefits
> Reference design for ready-to-copy PCB	> Compact and cost-effective system solution
> Turnkey PFC and motor control with MCE	> Eliminate the need for motor control software development
> Integrated infrared remote control	> Easy evaluation and system verification
> Suitable for single-sided PCB assembly process	> Reduce design-in effort and speed up time to market
> Compatible with low- and high-voltage motors	> Achieve maximum system performance per costs
> MCU design option for higher flexibility	> Higher reliability from system perspectives
> IEC61000-4-5 4 kVs surge compliant and EN55032 class B EMI compliant	> One-stop-shop

Application diagram



By selecting components from Infineon, you get parts engineered for best-in-class performance that upholds the highest quality standards for long-term reliability. Moreover, our excellent supply chain allows you to both build the most cost-effective, energy-efficient inverterized ceiling fan and meet the changing supply demands of the fluctuating consumer market. Explore our selection of semiconductor solutions now to find the best-fit components for your designs.

www.infineon.com/ceiling-fan

For more details on the product, click on the part number, visit infineon.com or contact our [product support](#).





Induction cooking

Enabled by Infineon's high-efficient power switches, secured connectivity, and touch sensor technology for best cooking experience

The huge global market for induction cooking appliances, such as induction ranges, microwave ovens, and rice cookers, is characterized by great competition and price pressure. Along with this, manufacturers must meet rising consumer expectations and produce more reliable, energy-efficient appliances that offer more and more functions. Benefits such as faster cooking, advanced functionalities, easy cleaning, and safety features play a crucial role.

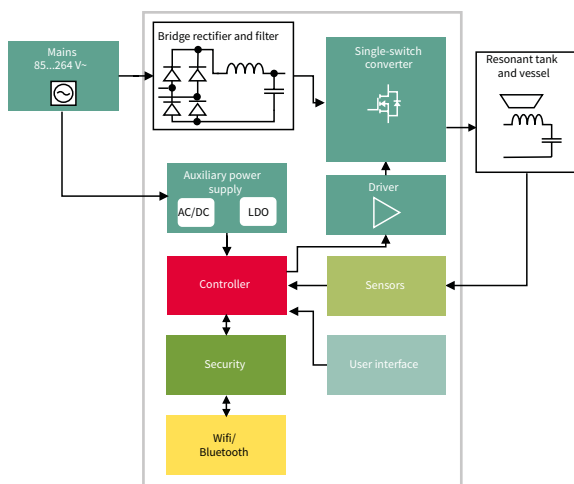
At Infineon, we are well equipped to help you overcome all the challenges common to induction cooking appliances. Our solutions target the increased consumer expectations regarding modern home appliances: Appliances must be energy-efficient and fully integrable, ensuring a high level of safety and reliability. An intelligent, user-friendly, and secure user interface is essential. We support you in creating intuitive devices with an intelligent touch interface.

Features and benefits

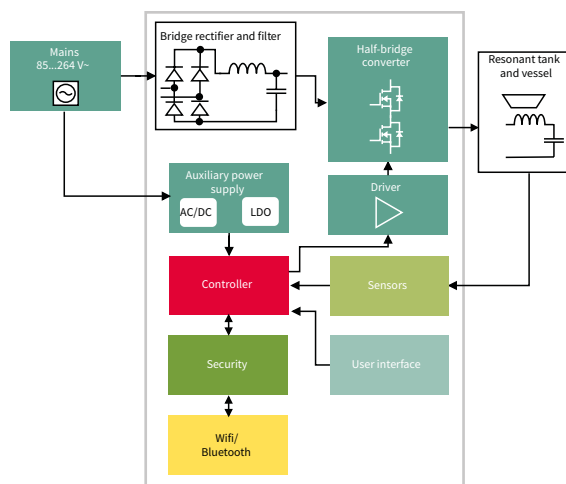
Key features
> Complete system solution offerings for inverter, system control, auxiliary power, HMI, connectivity, sensor, security blocks
> Highly reliable and market-proven Infineon products
> Evaluation and reference boards
> Innovative reverse conducting IGBT technology
> Cutting-edge touch sensing technologies

Key benefits
> Faster time-to-market and saving system design efforts
> One-stop-shop
> Extend system lifetime and product life spans
> Fast prototyping and system verification
> Higher efficiency and better reliability
> "Just work" and deliver the robustness and intelligence

Induction heating inverter (voltage resonance) Single-switch



Induction heating inverter (current resonance) Half-bridge



Product portfolio

Functional block	Product	Product family	Specification	Benefits
Inverter (half-bridge/quasi-resonant)	IGBT discretes	Reverse conducting R6	650 V up to 75 kHz	High performance and low losses
		Reverse conducting R5	650 V/1200 V/1350 V/1600 V up to 60 kHz	High performance and low losses
		Reverse conducting E1	1200 V up to 40 kHz	Price versus performance leader
	Gate driver	EiceDRIVER™ 1ED44173N01B , 1ED44175N01B , EiceDRIVER™ 1ED44171N01B	Low-side gate driver/25 V	1ED integrated with overcurrent-protection fault and enable functions
		EiceDRIVER™ 2ED2304S06F , 2ED2182S06F , 2EDL23I06PJ	Half-bridge gate driver/650 V/600 V	SOI with integrated bootstrap diode
		EiceDRIVER™ 1EDI20I12AF , 1EDI20I12MF , 2ED020I12-F2	Isolated gate driver/1200 V	Galvanic isolation, separate sink/source output, DESAT, Miller clamp
System control	Microcontroller	XMC™ 1000 series	32-bit Arm® Cortex®-M0	#1 choice to bring traditional 8-bit designs to the next level
		XMC™ 4000 series	32-bit Arm® Cortex®-M4	Successor to traditional DSP/DSC and 32-bit MCU solutions.
		PSoC™ 4 series	32-bit Arm® Cortex®-M0	Tackled some of the complex portions of embedded system design making it easier
		PSoC™ 6 series	32-bit Arm® Cortex®-M4	Dual-core Arm® Cortex®-M4 and Cortex-M0+ architecture
Connectivity	Wireless connectivity	AIROC™ Wi-Fi + Bluetooth® combo	IEEE 802.11a/b/g/n/ac/ax Wi-Fi and Bluetooth® 5.2 in a single-chip	Technical support through our global network of IoT partners
Aux power	CoolSET™	ICE5AR4770BZS	Up to 15 W flyback controller with integrated 700 V MOSFET	Higher switching frequency to take advantage of smaller magnetics
HMI (Human machine interface)	Microcontroller	PSoC™ 4 series	CAPSENSE™ technology	Most flexible and scalable low-power mixed-signal architecture
Security	OPTIGA™ TRUST	OPTIGA™ TRUST M SLS32AIA	High-end security solution for connected consumer devices	The OPTIGA™ Trust M is a high-end security solution that provides an anchor of trust for connecting IoT devices to the cloud



Product portfolio

Functional block	Product	Product family	Specification	Benefits
Inverter including PFC control and user interface	Controller	iMOTION™ IMC100 series	Integrated motion control engine, PFC control and scripting engine	› Fast time-to-market
		XMC™1000 series	32-bit Arm® Cortex®-M0	› First choice to bring traditional 8-bit designs to the next level
	Controller + gate driver	iMOTION™ IMD110 series	Integrated gate driver in addition to iMOTION™ IMC100 functionalities	› Compatible with low- and high-voltage motors
	Fully integrated IPM	iMOTION™ IMM100 series	All-in-one for complete HW and SW integration	› Compact design and fast time-to-market
		iMOTION™ IMI110 series	All-in-one for complete HW and SW integration	› Compact design and fast time-to-market with competitive cost
	IPM	CIPOST™ Nano IPMs	Highly integrated IPM with various voltage options (40 V to 600 V)	› Compact design and broad coverage in same footprint
	IGBT discretes	600 V Reverse Conducting Drive 2	600 V/1 A to 6 A in SOT-223 600 V/4 A to 15 A in DPAK	› Competitive in terms of price and performance
		TRENCHSTOP™ 5	650 V/8 A in TO-220FP	› Excellent efficiency for the boost PFC stage switch
	Gate driver	EiceDRIVER™ 1ED44173N01B and 1ED44175N01B for PFC control EiceDRIVER™ 1ED44171N01B	25 V single-channel low-side MOS-FET gate driver	› Integrated fast over-current protection (OCP), fault reporting › Cost-effective
			EiceDRIVER™ 6EDL04I06PT for motor control EiceDRIVER™ 2ED2304S06F for motor control	600 V three-phase in silicon-on-insulator technology 650 V half-bridge in silicon-on-insulator technology
MOSFET		N-channel MOSFETs IRLML00x0 series	40 V/60 V/SOT-23	› Fast switching and cost-competitive
Auxiliary power supply	Single stage flyback controller	ICL8810	Single-stage PFC-flyback LED controller for constant voltage output	› High-power factor supply combines optimum efficiency and low EMI, additional output voltages e.g. for MCU or LED lighting via aux winding
	MOSFET	800 V CoolMOS™ CE series	800 V superjunction MOSFET	› High efficiency and power density with outstanding price/performance





Power and gardening tools

Battery-powered home and professional applications

Infineon is bringing reliability and safety to consumer projects. Millions of households worldwide rely on power tools to complete daily tasks or creative projects around the home. Consumers want robust, reliable and portable power tools that are easy-to-use with low price and long battery life as key selection options. Battery-powered tools must also be equipped with diagnostic and safety features to ensure confidence with high quality.

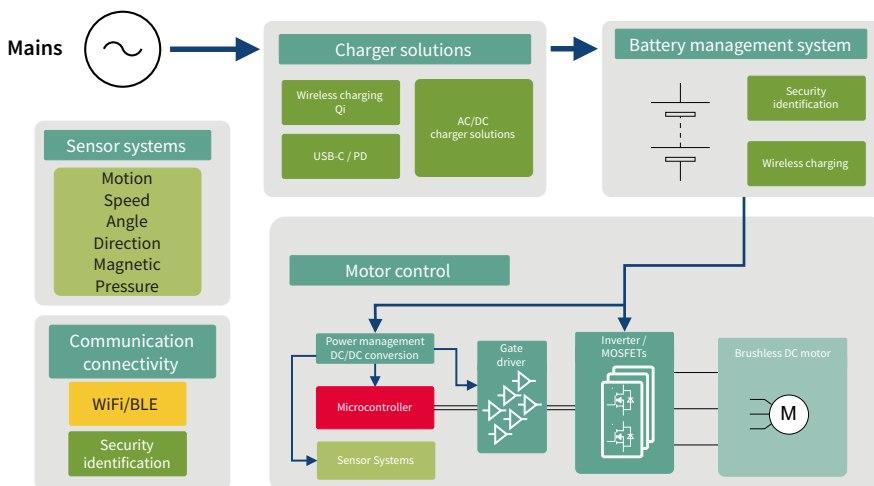
Infineon's broad portfolio offers best-fit, innovative solutions for all power tools applications. We help you meet each consumer need and reduce your overall costs. Also, our wireless-charging reference designs deliver high performance and are easily optimized in our DAVE™ development platform. Configure your BOM and exceed expectations with Infineon components in your cordless power tool designs.

Features and benefits

Key features
> Comprehensive portfolio of products and solutions, easy to tailor to design specification
> Infineon offers complete solutions for power supplies, chargers and motor drives
> Best-in-class EiceDRIVER™ level-shift driver for OptiMOS™ and StrongIRFET™ , offering high efficiency and protection
> High reliability of Infineon components
> Offering LV FETs with SMD packaging improves the productive capability by automatic production, improves reliability and reduces assembly cost
> Components featuring small form factor and compact design offering highest power density and BOM savings thanks to lowest $R_{DS(on)}$
> Trustworthy hardware-based security
> Highest quality standards and a safety-certified development process
> Proven track record and outstanding partner network for embedded security
> OPTIGA™ Trust enables authentication of components connected to the system (e.g., battery pack recognition to avoid second-party batteries etc.)
> Evaluation and demonstration boards for fast prototyping
> Available simulations, documentation, and system support to reduce development time and cost

Key benefits
> Convenient selection of the right fit products thanks to broad portfolio and complete solutions
> Extended battery lifetime and product life span
> Productive capability
> Overall system size and cost reduction
> Security, quality, and safety
> Authentication
> Short time to market

Application block diagram example: cordless power tools



www.infineon.com/powertools

For more details on the product, click on the part number, visit infineon.com or contact our [product support](#).



Application block diagram example: cordless power tools

Functional block	Topology	Product category	Product family	Part number	
Motor control	12 V, 15 V, 18 V, 22 V	MOSFET	OptiMOS™ 5/6 StrongIRFET™	BSC005N03, IQE006NE2, IPT004N, IPP055N IRL40DM2, BSC010N04, IST011N06, BSZ097N04, IRF40SC, IPB011N04, IRL40B215	
		Gate drivers	MOTIX™ EiceDRIVER™	6EDL7141, IDM 700A 1ED44173N01B	
		Microcontroller	XMC™ series	XMC1400, XMC1400, XMC4400	
			PSoC™	PSoC™ 4100, PSoC™62	
		Sensor systems	Hall switches	TLV4963	
			Angle	TLI5012	
			3D magnetic	TLV493D	
			Magnetic coreless current	TLI4971	
		36 V	MOSFET	OptiMOS™ 5/StrongIRFET™	IRL40DM2, BSC010N04, IST011N06, BSZ097N04, IRF40SC, IPB011N04, IRL40B215
			Gate drivers	MOTIX™ EiceDRIVER™	6EDL7141, IDM 700A 1ED44173N01B
			Microcontroller	XMC™ series	XMC1400, XMC1400, XMC4400
				PSoC™	PSoC™ 4500S PSoC™ 6
	Sensor systems		Hall switches	TLV4963	
			Angle	TLI5012	
			3D magnetic	TLV493D	
			Magnetic coreless current	TLI4971	
	48 V, 56 V, 72 V		MOSFET	OptiMOS™ 3/5/6 StrongIRFET™	BSC021N08N, BSC030N08N, IPT010N08N, IPTG011N08N, IPP040N08N, IPB049N08N BSC035N10N, ISZ080N10N, IPT015N10N, IPTC030N12N, IPB036N12N, IPP050N10N
			Gate drivers	MOTIX™	TLE9140EQW, 1EDN755X, 6ED2742, 2ED2732, 2ED2734, 2ED2748
			Microcontroller	XMC™ series	XMC1400, XMC1400, XMC4400
				PSoC™	PSoC™ 4500S PSoC™ 6
Sensor systems		Hall switches	TLV4963		
		Angle	TLI5012		
		3D magnetic	TLV493D		
		Magnetic coreless current	TLI4971		
Charging		MOSFET	CoolMOS™	IPD60R210PFD7S, IPD60R360PFD7S, IPT60R035CFD7, IPP60R360CFD7, IPT60R145CFD7	
			CoolSiC™	IMZA65R027M1H, IMZA65R048M1H, IMW65R048M1H, IMW65R027M1H	
		HEMTs	CoolGaN™	IGI60F0010A1L, IGI60F0014A1L, IGI60F0020A1L, IGI60F0027A1L	
		Gate drivers	EiceDRIVER™	2EDL05N06PF, 2ED2304S06F, 6EDL04N06PT, 2EDF9275F, 1EDB9275F, 2EDS9265H	
	USB PD	EZ-PD™	CCG3PA, CCG7D dual PAG 1S		
	Microcontroller	XMC™	XMC4400		
	Battery charging controller IC	-	ICL5102, ICC80QSG*, XDPS2201		
BMS	12 V	Protection MOSFET	OptiMOS™/StrongIRFET™	BSC004NE2LS5, IQE006NE2LM5, BSB008NE2LX, BSZ009NE2LS5, IRFH6200, IRF6200, IRF1324	
	18 V			IPT004N03L, BSC005N03LS5, BSZ0500NSI, IRF6726M, IRLS3813, IRLB3813, BSC079N03LSCG	
	24 V			IRL7472L1, IRL40SC228, BSC007N04LS6, IRL40T209, IRFS7430, IRL40B209, BSZ018N04LS6	
	36 V			IPT007N06N, IRF60SC241, BSC014N06NS, IRF7749L1, IRL60B216, IRL60S216	
	48 V			IPT012N08N5, IPP020N08N5, BSC025N08LS5, BSB044N08NN3G, BSZ070N08LS5, BSZ096N10LS5,	
	72 V			IPP041N12N3G, BSC077N12NS3G, BSZ240N12NS3G, IRF135SA204, IRF135S203, IRF135B203	
		Monitoring balancing IC	-	TLI9012	
		Cell balancing MOSFETs	StrongIRFET™	IRLML9303, IRF7S9342, IRLML9301	
		Microcontrollers	XMC™, PSoC™	XMC1100, XMC1200, XMC1400, XMC1400, XMC1400, XMC4100, CY8C41x4/5/65, CY8C41x6/75, CY8C4147-S5	
	Communication and HMI		Authentication/security	OPTIGA™ Trust	SLE 95250, SLS 32AIA010MH
Bluetooth®			AIROC™	CYBT-213043-02, CYW20736, CYW20706, CYW20704	
Wi-Fi			AIROC™	CYW43907, CYW43439, CYW954907	
Pressure sensor			XENSIV™	DPS368	





Smartwatches, sports watches, fitness bands and medical wrist-worn devices

Next level of wrist-worn devices with Infineon's excellent RF, sensing, connectivity, power, memory and security solutions

With its broad product portfolio, Infineon helps wearable manufacturers to overcome the following design challenges across all device categories:

- > the need for reliable device and data security to protect personal and sensitive information,
- > accurate sensor readings for precise location tracking and recognition between everyday movements and a fall event,
- > longer battery lifetimes and small form factors for elegant, unobtrusive designs.

Infineon's widely-deployed AIROC™ Wi-Fi and Bluetooth® Combo ICs portfolio offers the industry's best interoperability and RF performance. Infineon also helps customers to differentiate their offerings with highly efficient, secured and innovative solutions supporting the integration of additional use cases such as smart payment and ticketing, notifications and voice calls, Bluetooth® audio streaming, smart access or different ways of charging (wireless, NFC, USB).



A smartwatch provides a two-way connection via Bluetooth®, cellular baseband or Wi-Fi to a smartphone. It receives electronic communications like texts or voice calls, must display the time and have a glance-able display. These lifestyle devices monitor health and make communication (text, calls) more convenient.



A sports watch is a highly functional, robust and usually water-resistant device. Leisure or professional athletes mainly monitor their health conditions, fitness and sleep activities. Sports watches have fewer features compared to a smart watch as its main focus is on sports tracking.



A wristband or fitness band offers limited functionalities. Compared to a smartwatch, it just covers a selected amount of use cases (e.g. step counting, sleep monitoring, location tracking, access control, etc.).



A medical wrist-worn device measures and analyzes physical activity and body functions of the wearer. These wristbands are used for elderly care, safety, connected health and much more.

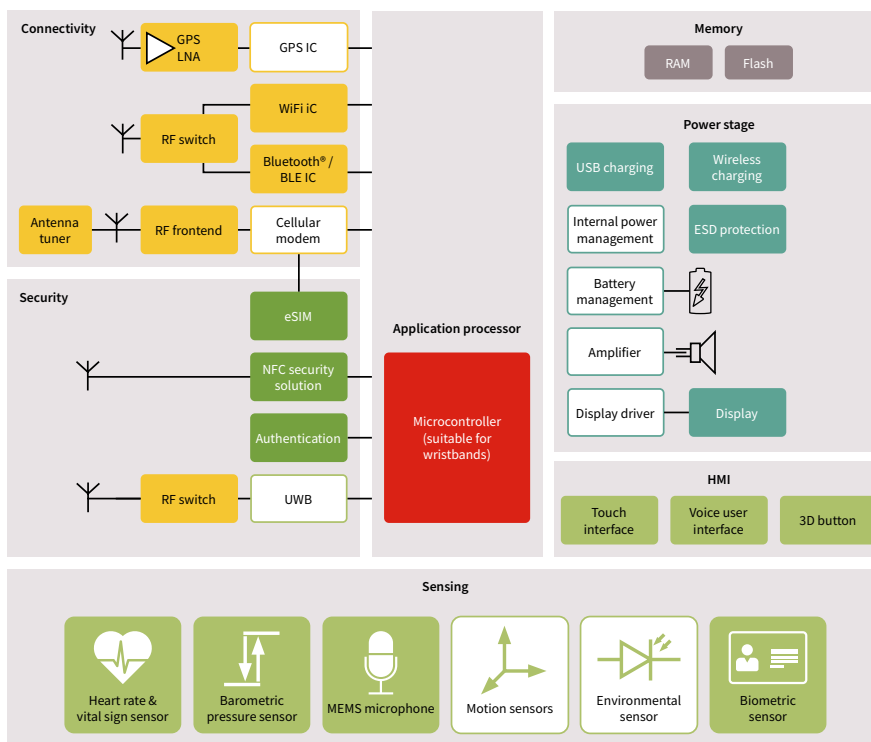
Key enabling products

- > XENSIV™ 3D magnetic sensor
- > XENSIV™ 60 GHz radar sensor
- > XENSIV™ pressure sensor
- > XENSIV™ MEMS microphones
- > XENSIV™ Multigas sensor
- > Wireless charging
- > AIROC™ Wi-Fi and Combos
- > AIROC™ Wi-Fi
- > AIROC™ Bluetooth® LE and Bluetooth®
- > AIROC™ Bluetooth® 5.0 SOC for Audio
- > Wi-Fi MCUs
- > Secora™ Connect
- > PSoC™ 6 Microcontrollers
- > PSoC™ 4 Microcontrollers
- > PSoC™ 4 Bluetooth® Low Energy (Bluetooth® Smart)
- > PSoC™ including CAPSENSE™ technology
- > RF switches
- > OPTIGA™ Connect Consumer eSIM solution
- > OPTIGA™ Authenticate S
- > NOR Flash / F-RAM
- > GPS LNA
- > ESD protection
- > Antenna tuners
- > 4G / 5G LTE LNAs





Block diagram for smartwatch, sports watch and wristband



Functional block	Product family	Functional block	Recommended parts and families
Security	<ul style="list-style-type: none"> OPTIGA™ Authenticate S (e.g., SLE95401) OPTIGA™ Connect Consumer eSIM solution (OC1120) SECORA™ Connect (boosted SiP or MCP, passive NFC) RF switch (e.g., BGS12WN6, BGS14WMA9) 	Power stage	<ul style="list-style-type: none"> USB type-C controller (e.g., EZ-PD™ CCG2) ESD protection (e.g., ESD119-B1, ESD131-B1, ESD307-U1) Wireless charging
Human-machine interface	<ul style="list-style-type: none"> XENSIV™ 3D magnetic sensor (e.g., TLI493-W2BWA0) XENSIV™ MEMS microphones (e.g., IM69D120/D130) PSoC™ 6 MCU + BLE (e.g., CY8C68237FM-BLE) 	Memory	<ul style="list-style-type: none"> SEMPER™ Nano NOR Flash / F-RAM
Sensing	<ul style="list-style-type: none"> XENSIV™ pressure sensor (e.g., DPS368/DPS310) XENSIV™ MEMS microphones (e.g., IM69D120/D130) XENSIV™ MEMS packaging partners 	Connectivity	<ul style="list-style-type: none"> 4G / 5G LTE LNAs (e.g., BGA5x1BN6 family) GPS LNA (e.g., BGA123L4, BGA524N6) AIROC™ Wi-Fi (e.g., CYW43362, CYW43364) AIROC™ Wi-Fi and combos (e.g., CYW43439, CYW43012) AIROC™ Bluetooth® 5.0 SoC for audio (e.g., CYW20719/21) Antenna tuners (e.g., BGS12UGL8, BGS14GN10) RF switches (e.g., BGS12WN6, BGS14WMA9)



Main use cases for wrist-worn devices

Main use cases for smartwatches, sports watches and wristbands

	Notifications	Bluetooth® audio streaming	Voice recording and assistant	Gesture control
	Location tracking	Contactless payment, access control and ticketing	Information visualization (maps, news, videos, etc.)	Physical condition monitoring (cardiac condition, blood pressure, blood glucose monitoring)
	Health monitoring (heart rate, etc.)	Sleep monitoring	Body temperature monitoring	Smartphone autonomy & broader mobile network accessibility
	Fitness monitoring	Speed monitoring	Cloud authentication for safe data transfer and data privacy	Car access control

● Use cases today ● Future use cases

Infiniteon the right partner to solve your design challenges

 Highest accuracy and fast signal pick-up for location tracking and altitude measurement	 Secure cellular network connection	 Products with smallest form factors enable high functional integration	 Integrated lowest power compute, BLE connectivity and most robust capacitive touch	 Bluetooth® audio streaming with BT / BLE Combo SoC	 Precise detection of single steps, body motions or fall events
 Best performance for voice call and voice assistant with MEMS microphones	 Reliable and low-power code and data storage in a tiny footprint	 Easy, convenient and secure data transmission by NFC	 Device protection to enable high user experience	 High reliability and data throughput with Wi-Fi / BT connectivity	 Low power consumption to increase battery lifetime

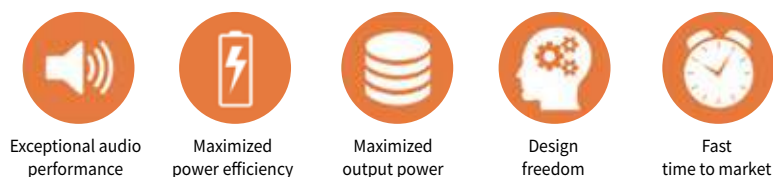


Class D audio amplifiers

No compromise on quality – products for exceptional audio performance

At Infineon, we manufacture power-efficient class D audio amplifier solutions that maintain best-in-class audio quality, without heating up the surroundings. We believe smaller and lighter is better, and that the amplifier embedded in your product should be heard, but not seen. Our amplifier solutions help you design robust, flexible products that meet the needs of your customers and the market. Choose from our high-performance class D audio amplifier solutions for all power ranges and application requirements, from the smallest fully integrated single-chip solutions to highly scalable driver and power MOSFET combinations (for a full portfolio, see [Audio amplifier ICs](#)).

Design with Infineon's solutions to benefit from:



Exceptional audio performance

Maximized power efficiency

Maximized output power

Design freedom

Fast time to market

Portable/battery powered audio applications

Battery powered speakers:

- › On-the-go Bluetooth® speakers
- › Docking speakers
- › Boom boxes
- › Wearable speakers

Home audio applications

- › Multiroom systems
- › Audio hub
- › TVs
- › Sound bars
- › Home theater systems
- › Smart speakers

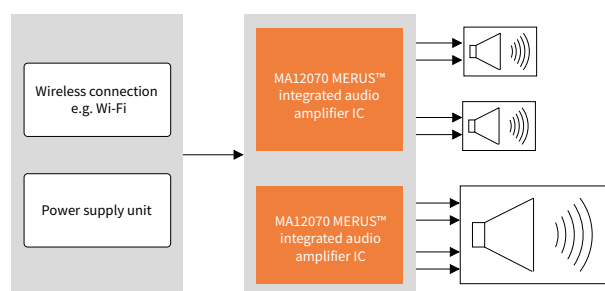
Professional audio applications

- › Power-over-ethernet (PoE) audio systems
- › Touring amplifiers
- › Active speakers
- › Public announcement 70-100 V systems
- › Music instrument amplifiers

Home audio

Modern home audio products vary in shapes, sizes and configurations, but common requirement is great sound in combination with outstanding industrial and acoustic design. In addition to producing exceptional sound quality, MERUS™ amplifiers from Infineon can completely eliminate the need for bulky and expensive LC output filters and heatsinks. This allows the design of new innovative and great-sounding home audio products in form factors and shapes that were previously unthinkable.

Solution example: 2.1 configuration (2xBTL + 1xPBTL)



Solution specification

Number of audio channels: 2 bridge-tied load (BTL) and 1 parallel BTL channels

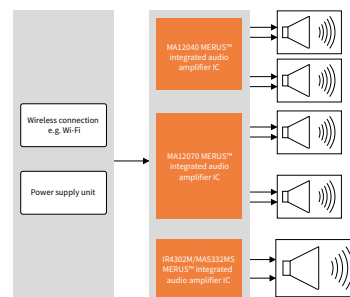
Peak power output: 2x80 W @ 4 Ω, 10% THD and 160 W @ 2 Ω, 10% THD

Featured audio ICs: 2x MA12070

www.infineon.com/merus

www.infineon.com/audio

4.1 configuration (4xBTL + 1xPBTL)



Solution specification

Number of audio channels: 5 bridge-tied load (BTL)

Peak power output:

2x40 W @ 4 Ω, 10% THD; 2x80 W @ 4 Ω, 10% THD; 200 W @ 3 Ω (IR4302M)/400 W @ 8 Ω (MA5332MS), 10% THD

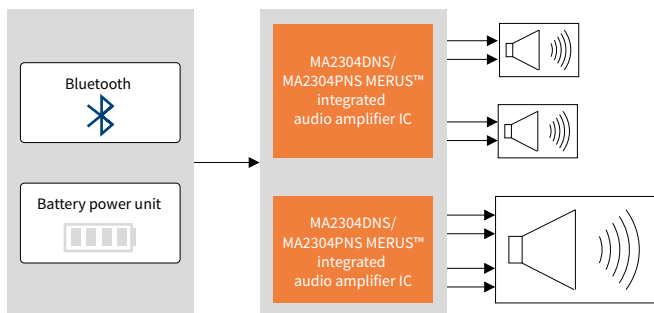
Featured audio ICs: MA12040, MA12070, IR4302M, MA5332MS



Portable audio

When designing portable/battery-powered audio devices, it is essential to maximize battery playback time, and at the same time, maintain excellent audio performance. Infineon's MERUS™ amplifiers provide up to twice as long battery playback time in combination with the best-in-class audio performance and unsurpassed sound quality.

Solution example: 2.1 configuration (2xBTL + 1xPBTTL)



Solution specification

Number of audio channels: 2 bridge-tied load (BTL) and 1 parallel BTL channels

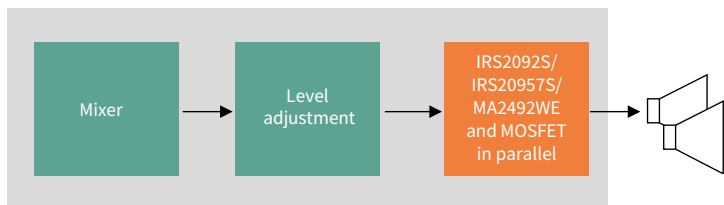
Peak power output: 2x37 W @ 4 Ω, 10% THD and 74 W @ 2 Ω, 10% THD

Featured audio ICs: Ultra low idle power MA2304DNS* (integrated DSP) and MA2304PNS* (digital volume control and limiter)

Professional audio

Professional audio equipment is all about maximizing output power and power density. With the conception of Infineon's MERUS™ multilevel class D technology and GaN-based CoolGaN™ GIT HEMTs, it is now possible to conceive both amplifiers and power supply units with great audio performance and high efficiency in a very compact design. For engineers developing amplifiers, Infineon offers both monolithic and chip-set solutions with versatile MOSFET combinations for the scaling of output power.

Solution example: active speakers



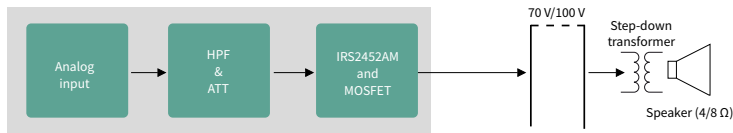
Solution specification

Number of audio channels: 2 half-bridge channels

Peak power output: 500 W @ 4 Ω, 1% THD

Featured audio ICs: IRS2092S, IRS20957S, MA2492WE*

Solution example: public announcement 70-100 V system



Solution specification

Number of channels: 2 half bridge channels

Peak power output: 500 W, 70 V_{rms}/100 V_{rms}, 1% THD

Featured audio IC: IRS2452AM





Smart speaker

Speakers for an intuitive and outstanding user experience

Once a novelty in households, smart speakers are more and more becoming increasingly commonplace. Rising user expectations accompany this rapid adoption. However, frustration with devices that do not understand or hear commands leads to lower user adoption. Consequently, growth rates for smart speakers are failing to reach their full potential. Components such as MEMS microphones, touch controllers, and new technologies such as radar are vital in improving the user experience in the smart speaker segment.

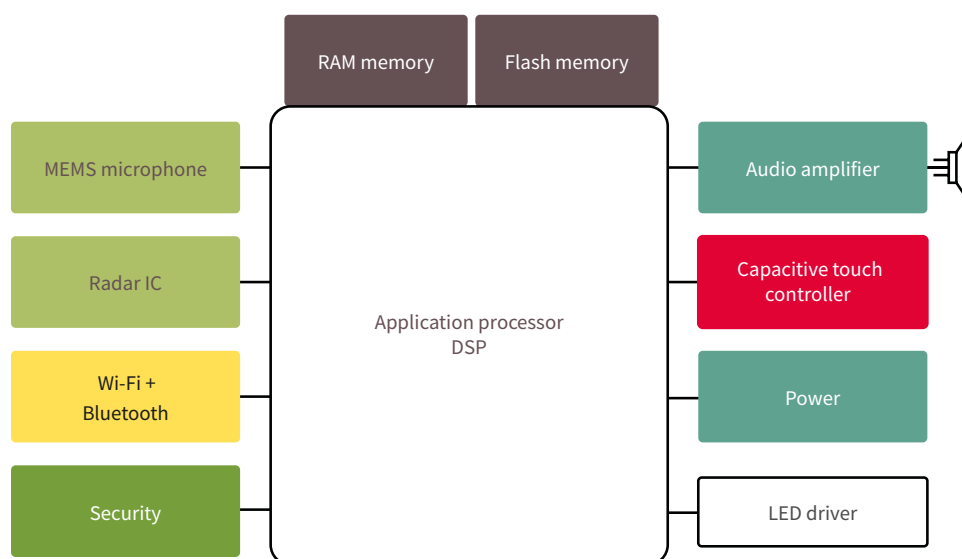
Infinion has long-standing expertise in sensor, connectivity and power solutions that fulfill the consumer market requirements in terms of outstanding performance, reliability and energy efficiency.

Features and benefits

Key features
> High sensitivity, low self-noise (high SNR) and distortion, wide dynamic range, and high acoustic overload-point with XENSIV™ MEMS microphones
> Multilevel switching technology at fully rated power in a wide range of MERUS™ class D amplifiers
> Ultralow-power AIROC™ Wi-Fi and Bluetooth® combo in a single-chip solution enables small-form-factor IoT designs
> Reliable, elegant and durable CAPSENSE™ touch controller with advanced capacitive touch sensors
> XENSIV™ 60 GHz radar sensor brings innovative, intuitive sensing capabilities
> Highly efficient and power-dense SMPS solutions
> Highly-integrated EZ-PD™ USB-C controller supports all USB-PD profiles
> IoT security controller OPTIGA™ Trust M maintains the unique identity and integrity of the speaker

Key benefits
> Improved audio input and thus voice command recognition, especially in extended use cases such as whispering or longer distances to the speaker for better user experience
> Best-in-class audio quality and lowest power consumption enables the class D audio amplifier to be used in filterless configurations
> Connectivity for highest interoperability and performance without dropouts anywhere in the home, extended battery playback time, or the reduction of battery size without compromising on battery playback time to save cost
> Noise immunity, water-resistance, and sleek, futuristic user interfaces and gesture recognition
> Precise presence detection for more contextual awareness to ease interaction, sub-millimeter motion tracking to capture movement at high speed accurately, vital sensing for monitoring health status such as respiratory and heart rate
> Highly efficient charger in small form factor
> USB-IF certified with market-proven USB-PD stack, ensuring specification compliance and interoperability, requiring no firmware development
> Easy and secure cloud provisioning services

Application diagram





Recommended products

Functional block	Product family	Product	Benefits	
Audio input	Microphones	XENSIV™ MEMS microphones	<ul style="list-style-type: none"> High performance microphone with low self-noise (high SNR) and low distortions, setting a new performance benchmark for a superior user experience 	
Audio output	Class D amplifier	MERUS™ class D audio amplifiers MA120xx	<ul style="list-style-type: none"> Cooler, smaller and lighter amplifiers designed to maximize power efficiency and dynamic range while providing best-in-class audio performance in product form factors for great sounding audio products Extended battery playback time or the reduction of battery size without compromising on battery playback time to save cost 	
Connectivity	Wi-Fi + Bluetooth® combos	AIROC® Wi-Fi + Bluetooth combos	<ul style="list-style-type: none"> Best-in-class interoperability to the widest deployed wireless IP Whole Home Range with high throughput for multi-channel audio and RSDB (Real Simultaneous Dual Band) for speaker sub-networks Ultralow-power technology designed with battery operation in mind 	
Sensing	Capacitive sensing touch controller	CAPSENSE™ capacitive touch sensing controller	<ul style="list-style-type: none"> State-of-the-art noise immunity (SNR > 100:1) & water rejection have made CAPSENSE™ the industry leader Advanced inductive touch sensors make possible sleek, futuristic user interfaces with metallic overlay 	
	Radar sensor	XENSIV™ 60 GHz radar sensor	<ul style="list-style-type: none"> Accurate presence detection and vibration detection based on ability to track sub-millimeter motion at high speed and accuracy, both stand-alone chip as well as system solution available 	
	CO ₂ sensor	XENSIV™ PAS CO2 sensor	<ul style="list-style-type: none"> Superior accuracy, providing a direct readout of the real CO₂ level, not simply a correlation Size and cost advantages 	
Security	IoT security controller	OPTIGA™ Trust M	<ul style="list-style-type: none"> Easy & secure provisioning services with OPTIGA™ Trust M for maintaining speaker's unique identity & integrity Unify different products under unified PKI architecture 	
Power	USB-C PD controller	EZ-PD™ USB-C controller	<ul style="list-style-type: none"> USB-IF certified with market-proven USB-PD stack, ensuring spec compliance and interoperability Supports all USB-PD profiles commonly used in USB-C power adapters and requires no firmware development A highly-integrated solution that minimizes incremental BOM costs 	
	ESD protection	ESD111, ESD245	<ul style="list-style-type: none"> Outstanding low capacitance devices for best signal integrity High protection performance by ultralow clamping voltage 	
	Wireless charging	15 W inductive wireless power transmitter	<ul style="list-style-type: none"> Powerful and cost-effective wireless charging solutions for high performance, smart and secure charging solutions supported by Infineon's unique wireless power controllers 	
	High-voltage MOSFETs	Flyback	700 V CoolMOS™ P7 (standard grade)	<ul style="list-style-type: none"> Best price-competitive CoolMOS™ SJ MOSFET family Lower switching losses than a standard MOSFET
		ACF, FMCI	600 V CoolMOS™ PFD7	<ul style="list-style-type: none"> Lower Q_{rr}, lower hysteresis loss, low R_{DS(on)}
	SMPS Flyback converter Control ICs	QR flyback ICs	ICESQSAG	<ul style="list-style-type: none"> High efficiency and low standby power
		FFR flyback IC	XDPS21071	<ul style="list-style-type: none"> High power density and ideal for USB-PD
	SMPS synchronous rectification	Low-voltage MOSFETs	OptiMOS™ PD	<ul style="list-style-type: none"> Low conduction losses and reduced overshoot Logic level switching / S308 / PQFN 3.3x3.3 packages available
		Control ICs	IR1161LTRPBF	<ul style="list-style-type: none"> High efficiency simple external circuitry
SMPS load switch	Low voltage MOSFETs	OptiMOS™ 30 V	<ul style="list-style-type: none"> Low conduction losses S308 / PQFN 3.3x3.3 packages available 	





Surveillance camera

Make your surveillance camera IoT-ready

Advancements in video surveillance technology take indoor and outdoor security solutions to the next level. They help you protecting your building against undesired intruders and detecting unusual behaviors. Smart cameras that are connected to management systems and cloud platforms detect intruders more easily and alarm you in case of danger. By equipping surveillance and IP cameras with reliable and accurate sensors and connectivity solutions, safety-enhancing IoT features can be implemented, significantly improving detection of intrusion and other unusual behavior. Of course, cutting-edge camera technology needs to run reliably and efficiently to guarantee image capturing at all times while also reducing operating costs and needed bandwidth. Connected IP cameras often demand low-power with advanced thermal features.

Infineon offers a broad range of products to make surveillance cameras smart and connected. The connectivity solutions portfolio for Wi-Fi, Bluetooth® and USB offers stable connection to cloud and management systems. Sensors such as Infineon's XENSIV™ [BGT60LTR11AIP](#) radar sensors can help overcome bandwidth limitations, for example, by the waking-up function when motion near the camera is detected. Furthermore, XENSIV™ MEMS microphone (or an additional low-power MCU) enables sound/voice triggered recording and notification. At the same time, Infineon's embedded security solutions make connected surveillance cameras more robust against cyberattacks, while the highly efficient power MOSFETs allow for low power consumption and efficient operations.

Matter – the new smart home standard from the Connectivity Standards Alliance (CSA) – promises interoperable, secure connectivity for the future of the smart home and surveillance camera. Infineon's unique combination of software support for Matter, ModusToolbox™ software and tools, broad family of AIROC™ connectivity chips (Thread 802.15.4, Wi-Fi, Bluetooth®) and PSoC™ 6 MCUs, and its involvement in Matter open-source development puts it in a strong position to help companies quickly bring Matter products to the market.

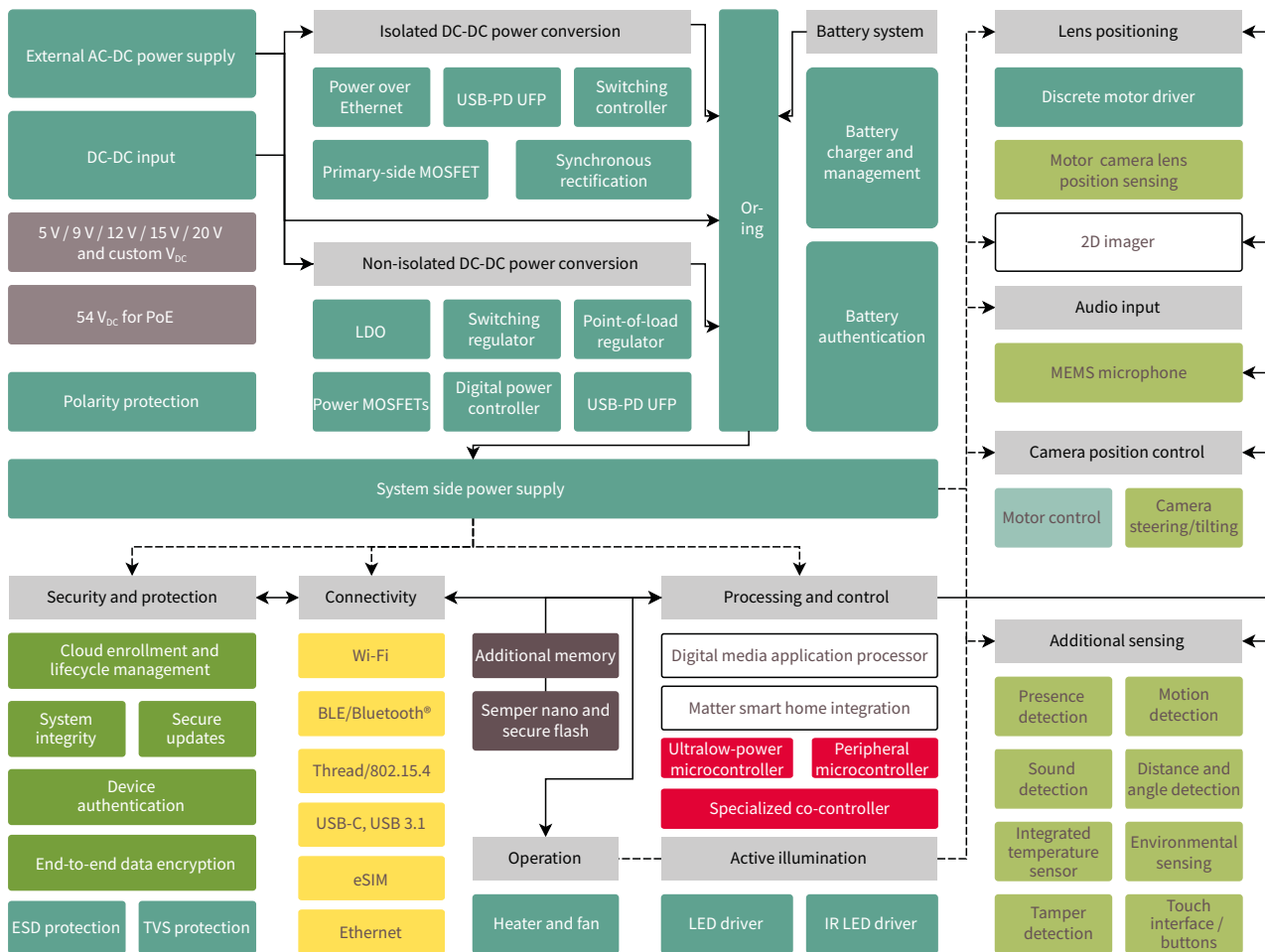
Features and benefits

Key features	Key benefits
<ul style="list-style-type: none"> > Best-in class figures of merit 	<ul style="list-style-type: none"> > Lower system power consumption and energy savings and enablement of deep sleep modes
<ul style="list-style-type: none"> > Reliable connectivity and power solutions 	<ul style="list-style-type: none"> > Less failure and increased up-time with stable connectivity of surveillance camera to cloud and management platforms
<ul style="list-style-type: none"> > Co-processor in connectivity solutions 	<ul style="list-style-type: none"> > Keep-alive feature in connectivity solutions
<ul style="list-style-type: none"> > Small footprints of components 	<ul style="list-style-type: none"> > Sleeker designs and space savings
<ul style="list-style-type: none"> > Turnkey embedded security solutions 	<ul style="list-style-type: none"> > More robust designs against cyberattacks in connected eco-systems
<ul style="list-style-type: none"> > Highly accurate set of sensors with low power consumption 	<ul style="list-style-type: none"> > Accurate data collection for IoT use cases, e.g. wake-up functions with radar sensors





Application diagram





LED lighting

Solutions for cost-sensitive applications as well as for smart lighting

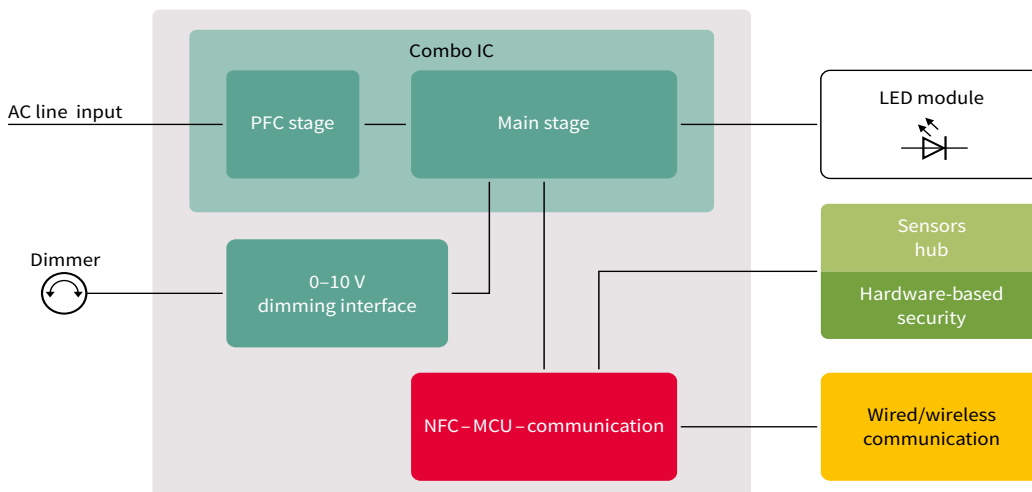
Infinion supplies tailored products for LED drivers, LED strips, horticultural, and smart lighting. Our broad portfolio of tailored products and solutions for LED lighting comprises LED driver ICs, MOSFETs, and microcontrollers suited for LED drivers as well as sensors and dedicated ICs for secure communication. In addition to offering products of proven quality, a competent global lighting team supports our lighting customers in designing LED lighting products and systems in collaboration with our channel partners.

Key trends and challenges in LED lighting and our offering:

- › Human-centric lighting (HCL)
 - The lowest cost implementation of tunable white with single-stage flyback constant voltage and smart linear regulators with advanced headroom control ensuring high efficiency – [BCR601](#)
- › Configuration of output current and some further parameters
 - Our NFC controller allows the configuration of the output current without the need for an additional microcontroller
 - Our XDPL lighting IC family allows, besides output current, also adjustment of other features like protection, dimming curves, etc.
- › Cost reduction combined with efficiency increase
 - Integration of resonance inductor for PFC + resonant topology enables highest efficiency at low cost
 - Integration is enabled by the coreless transformer technology that enables high switching frequencies



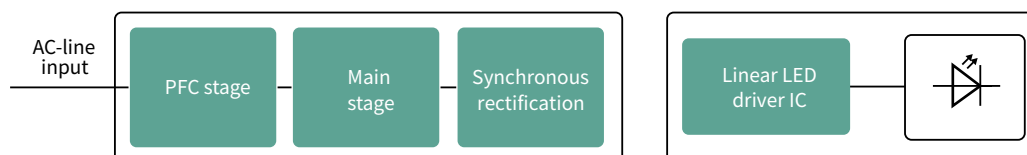
LED drivers



Recommended LED driver products

Functional block	Product type	Product family	MOSFET technology	Voltage class
PFC stage	PFC	IRS2505	CoolMOS™ P7	600 V/700 V/800 V/950 V ³⁾
Main stage	PFC + LCC (constant current) PFC + LLC (constant current)	ICL5102 ²⁾	CoolMOS™ P7 (up to 600 mΩ) CoolMOS™ PFD7	600 V/600V
			CoolMOS™ CE (above 600 mΩ)	600 V
		ICL5102HV ³⁾	CoolMOS™ PFD7	950 V
	PFC + flyback (dual-stage)	XDPL8221 ²⁾	CoolMOS™ P7	800 V/950 V
	PFC/flyback (single-stage constant current)	XDPL8105	CoolMOS™ P7	800 V/950 V
	PFC/flyback (single-stage constant voltage)	XDPL8219	CoolMOS™ P7	800 V/950 V
	PFC/flyback (single-stage constant voltage)	ICL8800/ICL8810/ ICL8820	CoolMOS™ P7	800 V/950 V
	PFC, flyback low-side gate driver	1EDN7550B	any CoolMOS™ SJ MOSFETs	-
			any CoolMOS™ SJ MOSFETs	-
		Half-bridge LLC gate driver	2ED2101S06F	any CoolMOS™ SJ MOSFETs
1EDI20N12AF			any CoolMOS™ SJ MOSFETs	1200 V (coreless transformer/CT)
2EDF7275F	any CoolMOS™ SJ MOSFETs	650 V (coreless transformer/CT)		
Buck/linear solutions	Secondary buck (single-channel) Secondary buck (multichannel)	ILD8150	integrated	80 V
	High-side buck gate driver	1EDB8275F	any CoolMOS™ SJ MOSFETs	650 V
	Low-side buck gate driver	1EDN8511B	any CoolMOS™ SJ MOSFETs	-
	Secondary linear controller with feedback	BCR601	small-signal MOSFETs	75 V/100 V
	Tunable white with linear LED driver	BCR601, BCR602	small-signal MOSFETs	75 V/100 V
Dimming	0-10 V dimming interface IC	CDM10 V	-	-
		CDM10 VD	-	-
NFC	NFC configuration IC	NLM0010/NLM0011 ⁴⁾	-	-
Microcontroller	XMC™ microcontroller	XMC1100	-	-

LED driver with constant voltage output and linear/switch mode LED driver ICs



Linear LED driver IC product portfolio

Functional block	Topology	IC product family	MOSFET technology
Lowest cost LED driver IC	Linear	BCR400W series	Integrated
Low voltage drop LED driver IC		BCR430/BCR431	
Robust LED driver IC		BCR40xU/BCR42xU	

For additional portfolio, take a look at [Lighting ICs](#).

www.infineon.com/lighting

For more details on the product, click on the part number, visit infineon.com or contact our [product support](#).



1) 700 V, 800 V and 950 V CoolMOS™ P7 are optimized for PFC and flyback topologies.
600 V CoolMOS™ P7 is suitable for hard as well as soft switching topologies (flyback, PFC and LLC)
2) PFC and resonant combo controllers

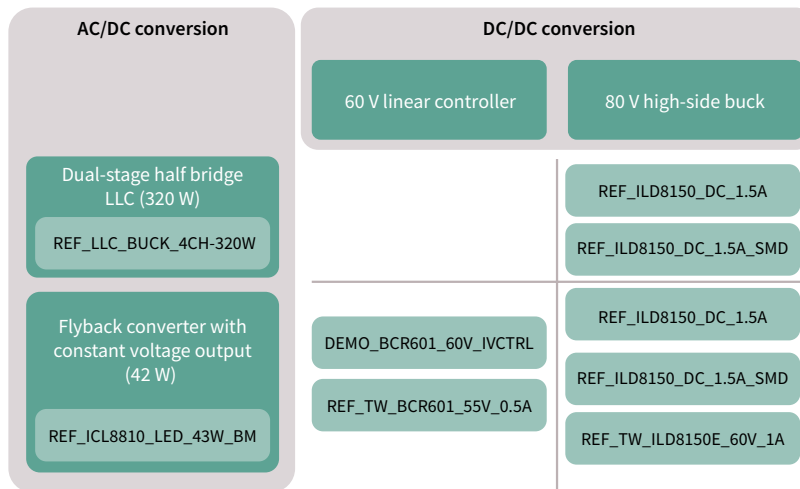
3) Higher input voltage
4) In addition to current configuration also constant lumen output (CLO) feature is included.



Plug & LEDs play solutions

Modular LED lighting reference designs for LLC, buck and PFC flyback topologies

LED lighting has become a mature technology with stringent requirements on light quality. In order to achieve high light quality, there is a strong trend towards two-stage topologies. These two-stage topologies ensure that the light flicker or, also called light ripple, remains at low levels according to the IEEE 1789 standard and other new upcoming regulations. Primary constant voltage output, followed by a DC-DC buck, enables dimming, efficiency, cost, and scalability benefits. Infineon has solutions for both the primary AC-DC stage as well as for the secondary DC-DC buck stage. These solutions can be combined in a plug & play concept. In other words, depending on the requirements, the suitable AC-DC stage and the best fitting DC-DC stage can be selected and tested.



Our solutions include but are not limited to:
Low to medium power platform promising tunable white at low cost



REF_ICL8810_LED_43W_BM



REF_TW_BCR601_55V_0.5A

320 W DCM PFC cost-effective and scalable platform design with up to 4 DC-DC channels



REF_ILC_BUCK_4CH_320W



REF_ILD8150_DC_1.5A

Discover more solutions on www.infineon.com/leddriver-reference-solutions

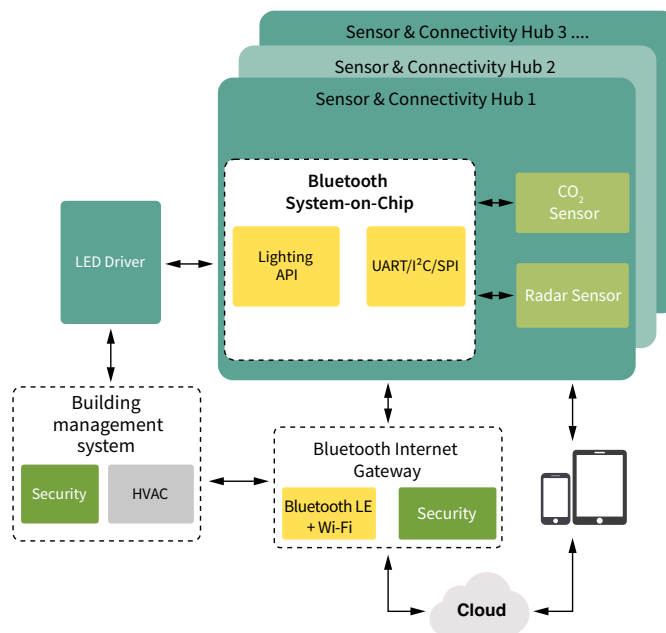
For more details on the product, click on the part number, visit infineon.com or contact our [product support](#).



Smart lighting solutions

Connectivity and sensor solutions for connected and smart lighting to facilitate everyday life

In the last few years, connected and smart lighting has gained high momentum in the lighting industry. In this application field, sensing and connectivity play an essential role. Besides helping to realize energy savings, they also enable new use cases that go beyond lighting controls.



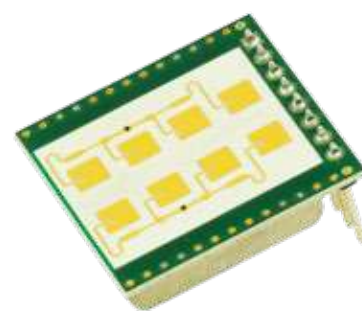
Radar sensor solutions

For energy saving, passive infrared (PIR) sensors are used. Novel sensors like radar can overcome weaknesses of PIR sensors like poor design, limited detection of micro-movements, and limited area coverage, to name a few. Radar sensors can be seamlessly integrated into the luminaires enabling nice design as well as platform design of luminaires since there is no need for drilling holes as in the case of PIR sensors. Advanced use cases like people counting and people tracking can also be ensured with radar technology. In order to add more intelligence into the entire system, connectivity is a key element.

Our partners:

Our system design house partners deliver both standard products and customized solutions to fit specific lighting applications from movement detection through automatic light activation to person counting. In addition, they offer all levels of support to get your intelligent lighting system up and running as quickly and efficiently as possible. See below a list of some of our partner solutions and check our Lighting brochure for more.

Functional block	Topology	IC product family
RF Beam	K-LD2	Presence detection including slight movements
	K-LD7	
InnoSent	INS-313x	Motion detection range up to 5m
	INS-333x	Motion detection range up to 10m
Novelic	RIOT100 – NRM302	Turnkey motion and presence sensor solution up to 15m



Additionally, Infineon provides numerous radar solutions. Please find out more about them in [Radar sensor ICs](#) chapter.

www.infineon.com/smart-lighting
www.infineon.com/makeradar

For more details on the product, click on the part number, visit infineon.com or contact our [product support](#).



Bluetooth® Mesh devices and modules for connected and smart lighting applications

Embedding Bluetooth® Mesh networking in lighting systems, including luminaires, fixtures, and wall switches, opens a range of system applications to manage lighting brightness or color, efficiency based on occupancy movements, and correlation of lighting ecosystem components. The range and coverage of Bluetooth® Mesh devices allow for low latency, whole building coverage of automation and occupancy interaction via smartphone and tablet applications, as well as cloud applications for building management. Infineon provides a range of Bluetooth® Mesh MCUs and certified modules that enable lighting control functionality, safety and occupancy sensor management and robust, secure, reliable networked managed solutions.

Bluetooth® Mesh SoCs and certified modules: solutions and benefits

Bluetooth® Mesh system-on-a-chip (SoCs) and certified modules offer a range of efficient and future-proof upgradeable solutions:

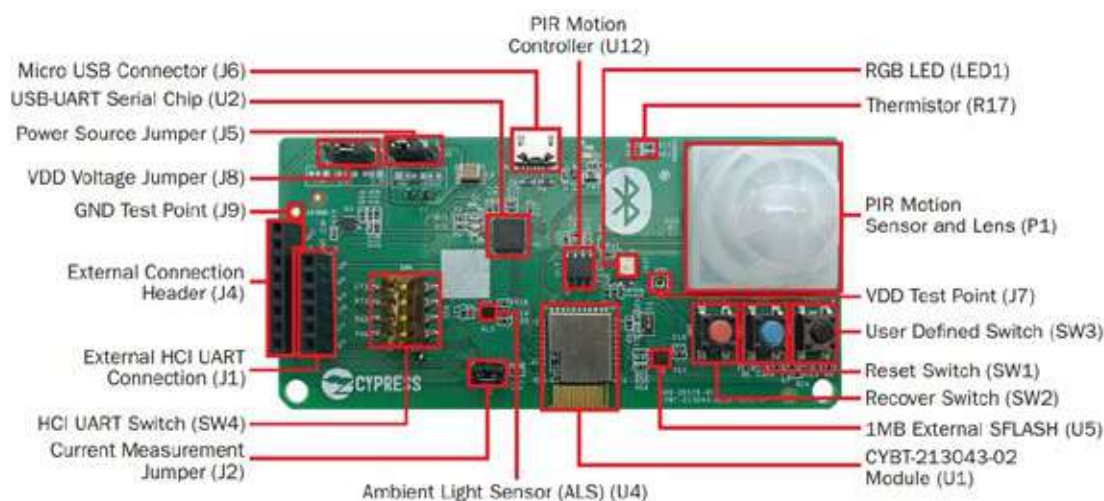
Solutions	Benefits
<ul style="list-style-type: none"> Module diversity with integrated components ranging from the basic battery-powered sensor to the most sophisticated detection and safety devices 	<ul style="list-style-type: none"> Accommodating different needs now and in future
<ul style="list-style-type: none"> Fully-integrated modules 	<ul style="list-style-type: none"> Accelerate time-to-market Reducing development and manufacturing costs
<ul style="list-style-type: none"> Ultra-high-transmit power designs with integrated antennas 	<ul style="list-style-type: none"> Enabling long range and unfailing node-node connections
<ul style="list-style-type: none"> Integrated CPU, memory (flash and RAM) and I/O 	<ul style="list-style-type: none"> Suiting all foreseeable applications hosting

Bluetooth® Mesh evaluation kit **CYBT-213043-MESH**

The Bluetooth® Mesh evaluation kit (**CYBT-213043-MESH**) enables you to evaluate SIG Mesh functionality and features using the **CYBT-213043-02** module. The **CYBT-213043-02** module is an integrated, fully certified, 12.0 mm x 16.61 mm x 1.70 mm, programmable Bluetooth® Smart Ready module designed to reduce your time-to-market.

Utilized device: **CYW20819**

- Kit contents:
- 4x mesh evaluation boards
 - 4x USB A to micro-B cables
 - 1x quick-start guide (this document)



Bluetooth® Mesh Networking - An Introduction for Developers
 Bluetooth®-Mesh-Paving-the-Way-for-Smart-Lighting
 Bluetooth®-Mesh specifications:
www.bluetooth.com/specifications/mesh-specifications



Getting Started with Bluetooth® Mesh
 (AppNote AN227069)

www.infineon.com/smart-lighting
www.infineon.com/makeradar

For more details on the product, click on the part number, visit infineon.com or contact our [product support](#).









Mesh-enabled, silicon, dual-mode Bluetooth® 5.0 AIROC™ MCUs

	CYW20706	CYW20735	CYW20819	CYW20820	CYW20719
Product features					
TBA Processor	CM3	CM4 w/ FPU	CM4	CM4	CM4 w/ FPU
TBA Radio	-	ULP RF	ULP RF	ULP RF	ULP RF
Operating temperature	105 C	85 C	125 C planned	125 C planned	85 C
Transmit power	10 dBm Tx	10 dBm Tx	4 dBm Tx	10 dBm Tx	4 dBm Tx
Memory	-	-	256 kB Flash	256 kB Flash	1 MB Flash



Interested in more? We offer a broad silicon portfolio to support your Bluetooth® Mesh design. Explore here.

Fully-certified Bluetooth® modules (FCC, ISED, MIC, CE)

	<p>Load range Up to 20 dBm transmit power</p>  <p>CYBT-483056-02</p>	<p>Size and simplicity Ez Serial support enables fast time to market and 9x9 size for small form factor application</p>  <p>CYBT-353027-02</p>	
	<p>Value Balance of features for cost sensitive applications</p>  <p>CYBT-343052-02</p>	<p>Integration Fully integrated SoC with lowest power and extended range</p>  <p>CYBT-273063-02</p>	

www.infineon.com/smart-lighting
www.infineon.com/makeradar

For more details on the product, click on the part number, visit infineon.com or contact our [product support](#).



Wi-Fi enterprise networking and internet connectivity

Wi-Fi networking is the back-bone of enterprise, retail, and home internet connectivity. Wi-Fi is the bridging medium for Bluetooth® Mesh networks to enterprise networks and cloud applications capturing messaging from across the lighting installation for secure enterprise building management applications. Wi-Fi can also be used to connect sensors and fixtures directly to enterprise or home access points for long range solutions or integrated solutions including security lighting and cameras. Infineon offers a range of secure, high performance enterprise ready Wi-Fi solutions that can be added to switches, panels, and lighting bays. These solutions can be stand-alone network nodes or offer Bluetooth® Mesh Gateway services bridging Mesh-networked devices to cloud applications.

IoT Wi-Fi portfolio

Technology	Wi-Fi	Wi-Fi + MCU	Wi-Fi + Bluetooth® combos
Wi-Fi 4 (802.11n)	CYW43364 SB 1x1 11n SDIO		CYW43439* SB 1x1 11n + BT5.2 SDIO/SPI
		CYW43903 SB 1x1 11n + 160-MHz R4	CYW43012 ULP DB 1x1 11n + BT5.1 SDIO/SPI WLBGA/WLCSP
		CYW43907 1x1 DB 11n + 320-MHz R4	
Wi-Fi 5 (802.11ac)		CYW54907 1x1ac DB + 320-MHz R4	CYW54590** DB 2x2 11ac + BT 5.1 PCIe/SDIO
			CYW4373/89373 DB 1x1 11ac + BT5.0 USB/SDIO/PCIe
			CYW54591 DB 2x2 11ac, RSDB, BT5.1 PCIe/SDIO

Infineon’s Wi-Fi portfolio provides high-performance, flexible connectivity for Linux, Android, and RTOS. Many of the Wi-Fi + Bluetooth® combos are supported on Infineon’s WICED Wi-Fi and ModusToolbox™ Software Development Kits (SDK) which provide code examples, tools and development support.

Infineon’s Wi-Fi and Bluetooth® combos use production-ready, fully-certified Wi-Fi + Bluetooth® combo modules based on both Linux and RTOS based platforms. Many of the Wi-Fi + Bluetooth® combos are supported on Infineon’s WICED Wi-Fi and ModusToolbox™ Software Development Kits (SDK) which provide code examples, tools and development support for **easier and faster development.**

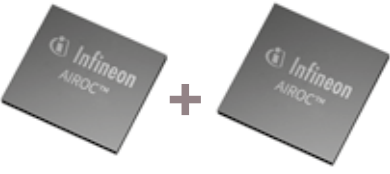
www.infineon.com/smart-lighting
www.infineon.com/makeradar

*Coming soon
 **For more information on this product, contact our product support.

For more details on the product, click on the part number, visit infineon.com or contact our [product support](#).



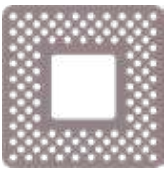
Wi-Fi enterprise networking and internet connectivity

		
CYW43907: MCU + Wi-Fi	PSoC™ or 3 rd -party MCU: PSoC™ or 3 rd -party MCU running RTOS 3 rd -party SoC running Linux OS	P/N: CY8CKIT-06S2-43012 PSoC™ 6: Ultralow-power dual-core MCU
CYW20719: Dedicated Bluetooth® 5.1 MCU	CYW43439*: 1x1n Wi-Fi + Bluetooth® combo SoC	CYW43012 (Murata Type 1LV): Dedicated low-power Wi-Fi + Bluetooth® 5 combo SoC

We offer a broad platform portfolio to support your Bluetooth® Mesh gateway. Explore more here.

IoT Wi-Fi portfolio

A global Wi-Fi module partner ecosystem enables support and development for your IoT application.



Design, build and sell RF Modules with limited software and hardware certification support

Module makers



www.infineon.com/smart-lighting
www.infineon.com/makeradar

*Coming soon

For more details on the product, click on the part number, visit infineon.com or contact our [product support](#).





DC-DC power solution for data center, edge, enterprise, telecom and datacom

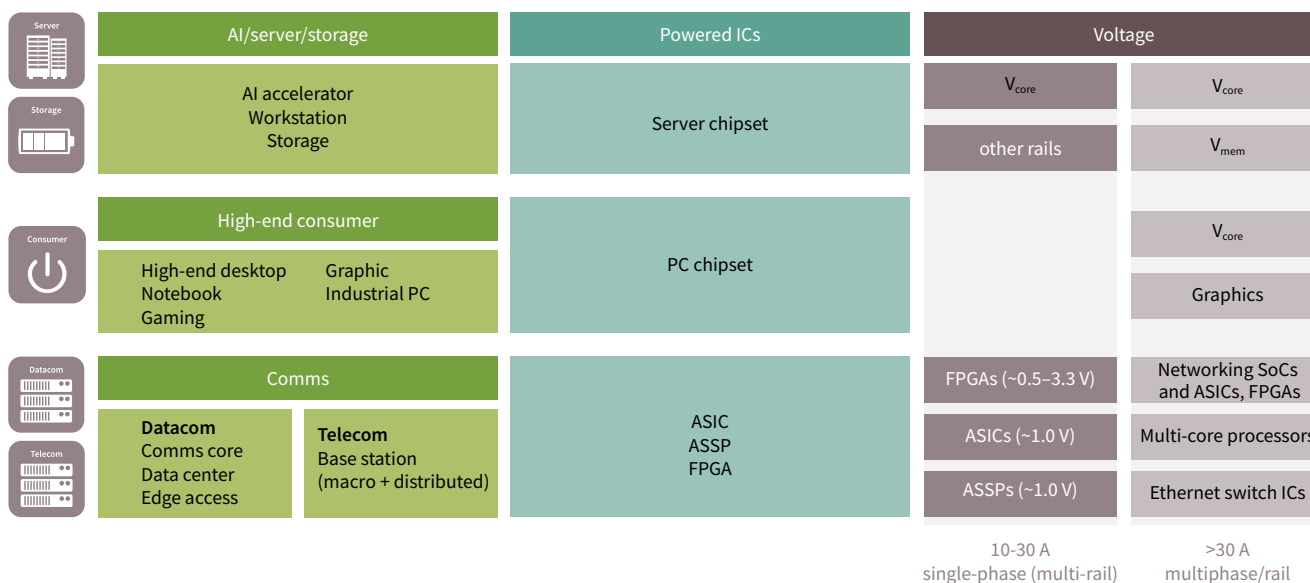
Digital multiphase and point-of-load DC-DC solution

As an industry leader in digital power management, Infineon delivers solutions for the next-generation data center, edge, enterprise, server and telecom applications, storage and client computing applications. Infineon offers a complete portfolio including digital multiphase controllers, integrated power stages, integrated point-of-load (POL) voltage regulators and discrete MOSFETs. These proven technologies offer full flexibility to our customers to optimize a complete system solution for space, performance, ease of design and cost to meet critical design goals. In addition, our latest software tools help simplify design, shorten design cycles, and improve time-to-market.

Features and benefits

Key features	Key benefits
<ul style="list-style-type: none"> Best-in-class efficiency Multi-protocol support Complete system solution Digital controller flexibility Ease of design Smallest solution size 	<ul style="list-style-type: none"> Digital multiphase controller and power stage provide industry's highest efficiency of more than 95 percent Intel SVID, AMD SVI2/3, NVIDIA PWM VID, parallel VID (up to 8 bits), PMBus Rev1.3, AVS Bus (PMBus Rev1.3) A broad portfolio of fully integrated point-of-load, integrated power stage and digital controller solutions in addition to discrete drivers and MOSFETs offers full flexibility to optimize complete system solutions ranging from 1 A to 1000+ A Industry's benchmark for feature richness and low-quiescent power Intuitive GUI enables faster optimization, thereby reduces design cycle time Best-in-class OptiMOS™ MOSFETs combined with advanced packaging technologies enable high power density at high efficiency, and superior control engine with digital multiphase controllers help minimize output capacitance significantly

Multiphase DC-DC system solution



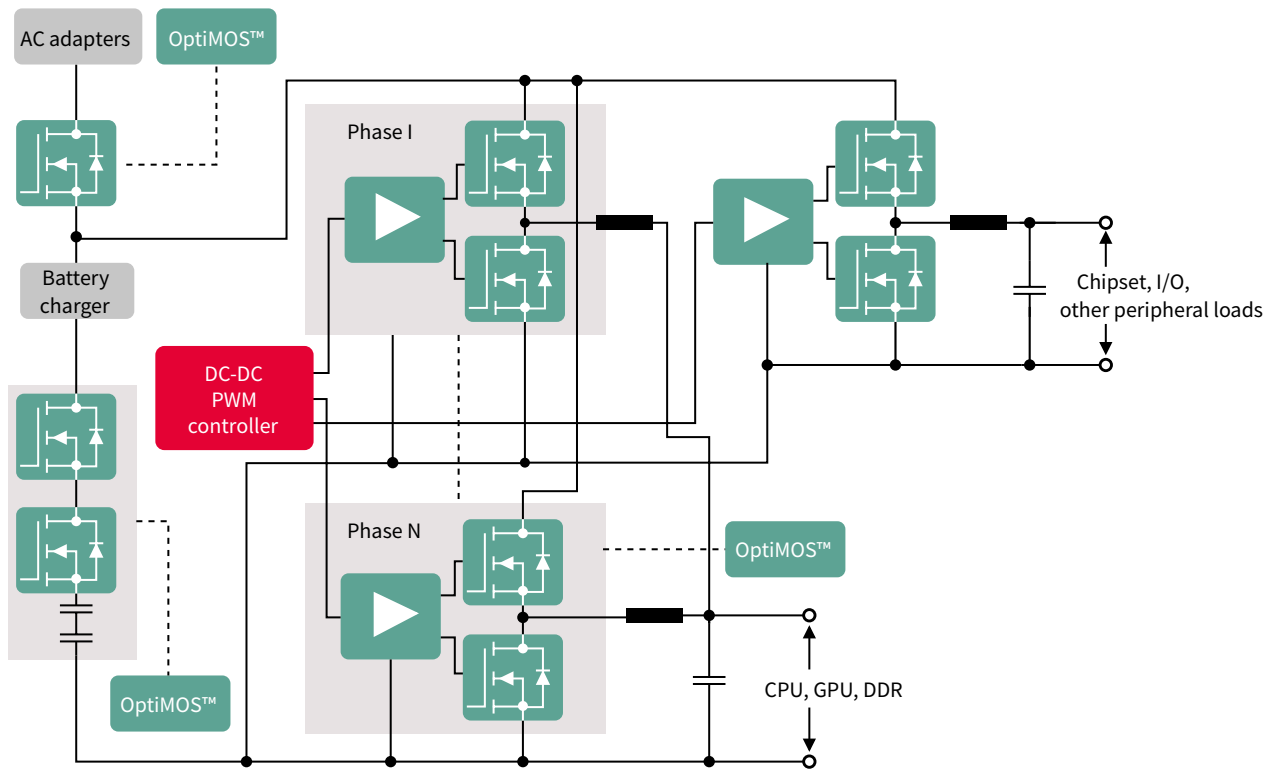
Click here for more information on [server SMPS](#) and [telecom SMPS](#) solutions.

www.infineon.com/dataprocessing

For more details on the product, click on the part number, visit infineon.com or contact our [product support](#).



Multiphase DC-DC system solution



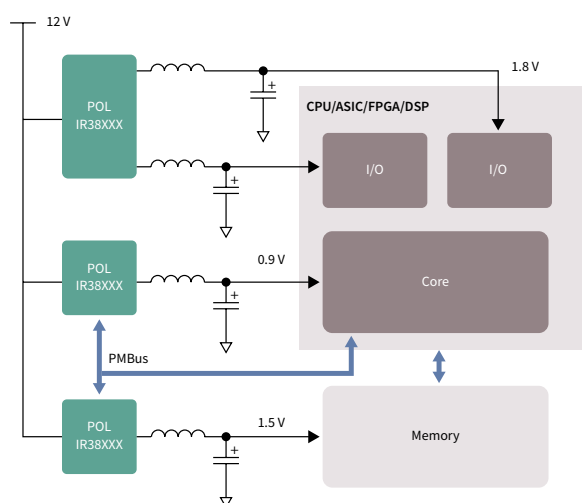


DC-DC enterprise power solution for data processing applications

Integrated point-of-load (IPOL) converters

Infinion's IPOL converters integrate a PWM controller, a driver, and MOSFETs into a small PQFN package for ease of use. The patented PWM modulation scheme allows greater than 1 MHz switching frequencies to deliver ultracompact layouts and the smallest bill of materials (BOM). A PMBus interface is available for monitoring and control in systems that use advanced CPUs, ASICs and FPGAs.

Block diagram

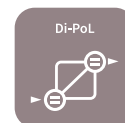


Key features

- > Input voltage range 4.5-21 V
- > Output current 1-40 A
- > Operating temperature range of -40 to 125°C

Key benefits

- > Integrated controller, driver, MOSFETs for small footprint
- > High-efficiency MOSFETs and thermally enhanced packages for operation without heat sinks



DC-DC IPOL portfolio

Digital interface IPOL

I ² C PMBus, telemetry, margin, faults, SVID PVID Digital control/configuration, telemetry and diagnostic					
Part number	Max. current [A]	Package size [mm]	Max. V _{in}	Max. f _{sw}	Distinctive features
IR38064MTRPBF	35	5 x 7	21 V	1500 KHz	PMBus
IR38063M	25	5 x 7	21 V	1500 KHz	
IR38062M	15	5 x 7	21 V	1500 KHz	
IR38060M	6	5x6	16 V	1500 KHz	
IR38163M	30	5 x 7	16 V	1500 KHz	OptiMOS™ 5, SVID + PMBus
IR38165M	30	5 x 7	16 V	1500 KHz	OptiMOS™ 5, SVID
IR38363M	15	5 x 7	16 V	1500 KHz	OptiMOS™ 5, SVID + PMBus
IR38365M	15	5 x 7	16 V	1500 KHz	OptiMOS™ 5, SVID
IR38263M	30	5 x 7	16 V	1500 KHz	OptiMOS™ 5, PVID + PMBus
IR38265M	30	5 x 7	16 V	1500 KHz	OptiMOS™ 5, PVID
IR38164M	30	5 x 7	16 V	1500 KHz	OptiMOS™ 5, SVID + PMBus, enhanced I _{mon}
IRPS5401M	4+4+2 +2+0.5	7 x 7	14 V	1500 KHz	5 output PMIC, PMBus

Analog IPOL

„Performance“ voltage-mode PWM Ultralow jitter and noise, high accuracy and low ripple					
Part number	Max. current [A]	Package size [mm]	Max. V _{in}	Max. f _{sw}	Distinctive features
IR3883MTRPBF	3	3 x 3	14 V	800 KHz	Constant-on-time (COT)
IR3823AMTRPBF	3	3.5 x 3.5	17 V	2000 KHz	
IR3899AMTRPBF	9	4 x 5	17 V	2000 KHz	
TDA38820	20	4 x 5	17 V	2000 KHz	
IR3888MTRPBF	25	5x6	17 V	2000 KHz	
IR3447AMTRPBF	25	5x6	17 V	600 KHz	
IR3887MTRPBF	30	4 x 5	17 V	2000 KHz	
IR3889MTRPBF	30	5x6	17 V	2000 KHz	
TDA38840	40	5x6	17 V	2000 KHz	
IR3846AMTRPBF	40	5 x 7	17 V	600 KHz	

www.infineon.com/dataprocessing

For more details on the product, click on the part number, visit infineon.com or contact our [product support](#).





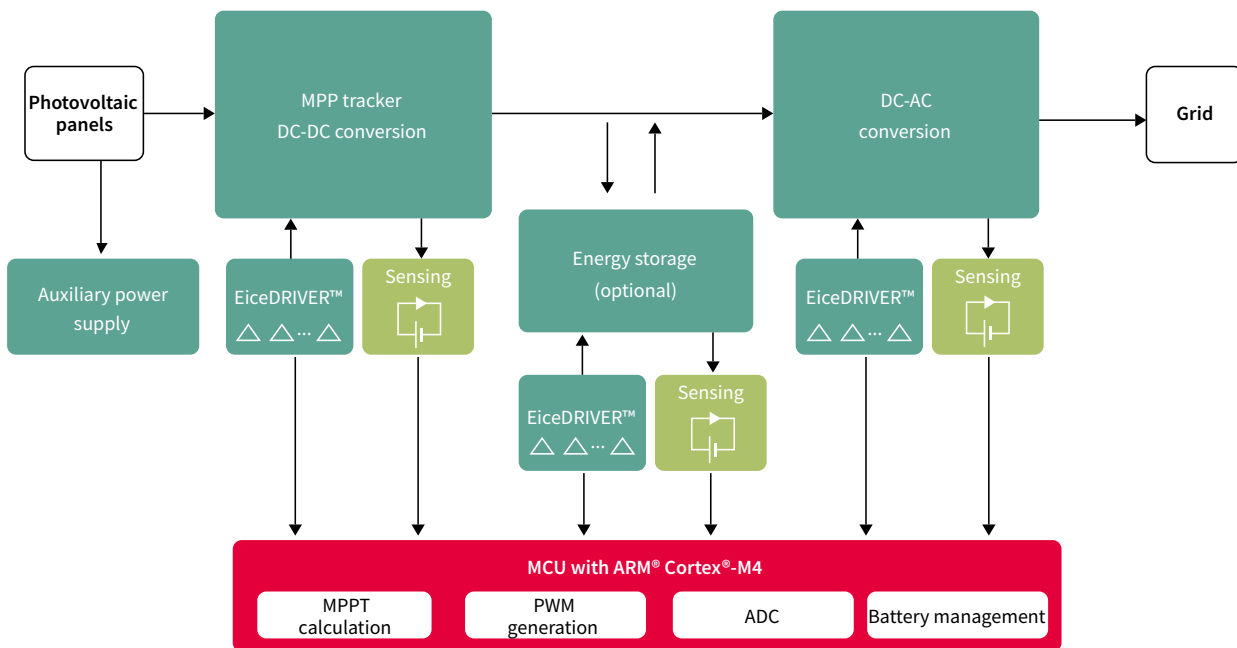
Solar

High efficiency designs for solar power systems

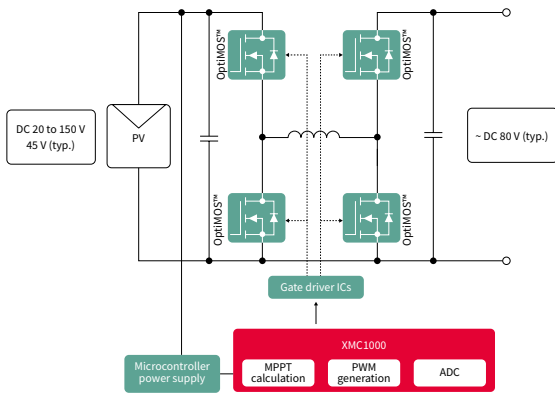
Infiniteon provides a comprehensive portfolio to deliver the best efficiency and reliability for solar applications. Cutting-edge technologies such as **CoolMOS™** SJ MOSFETs, HighSpeed 3 IGBT and **TRENCHSTOP™ 5**, **CoolSiC™** Schottky diodes, **CoolSiC™** MOSFETs, coreless transformers, drivers and many more combined with the rich experience and highest quality ensure Infineon's unique supplier position for solar applications. The newly added Arm® Cortex®-M4 based MCU enables easy and high-efficiency design.

	Optimizer 250 W-750 W	Single and multiple panel micro inverter 250 W-1500 W	String inverter 1 kW-200 kW	Central inverter 500 kW-5000 kW
MOSFETs	OptiMOS™ SuperSO8/DirectFET™ 60 V-150 V	OptiMOS™ SuperSO8 DirectFET™ 60 V-200 V	OptiMOS™ 150 V-300 V	
SiC MOSFETs		CoolMOS™ TOLL/D-PAK 600 V-800 V	CoolMOS™ TO-247-3/TO-247-4 D ² PAK/TOLL/QDPAK 600/650 V	
IGBTs			CoolSiC™ MOSFET TO-247-3/TO-247-4/D ² PAK-7 650V/1200 V 650 V TRENCHSTOP™ 5 / 1200 V HighSpeed 3 TO-247-3/TO-247-4/TO-247PLUS 600 V/650 V/1200 V	
Gate driver ICs	EiceDRIVER™ 2EDi / 1ED Compact (1ED-AF) / 650 V SOI / 1EDB / IRS2011	EiceDRIVER™ 2EDi / 1EDB / 1ED Compact(1ED-AF) / 650 V SOI / 1EDB	EiceDRIVER™ 2EDi/650 V SOI/ X3 Compact(1ED31xx) / X3 Analog(1ED34xx) / 1ED-F3 / 1EDB / IRS2011	PrimePACK™ / EconoDUAL™ 3 / 62 mm EiceDRIVER™ X3 Compact(1ED31xx) / X3 Analog(1ED34xx) / 1ED-F3 / 1EDB 2ED24427N01F / 650 V SOI
SiC diodes		CoolSiC™ Schottky diodes DPAK 600 V/1200 V D ² PAK 650 V	CoolSiC™ Schottky diodes TO-220/TO-247/TO-247-2/DPAK/D ² PAK 650 V/1200 V BAT165 Schottky diode	
Auxiliary power supply			CoolSET™ 800 V	
Microcontrollers	XMC1xxx Arm® Cortex®-M0 XMC45xx Arm® Cortex®-M4	XMC1xxx Arm® Cortex®-M0 XMC45xx Arm® Cortex®-M4	XMC1xxx Arm® Cortex®-M0 XMC45xx Arm® Cortex®-M4	XMC1xxx Arm® Cortex®-M0 XMC45xx Arm® Cortex®-M4

Infineon's products for complete solar system



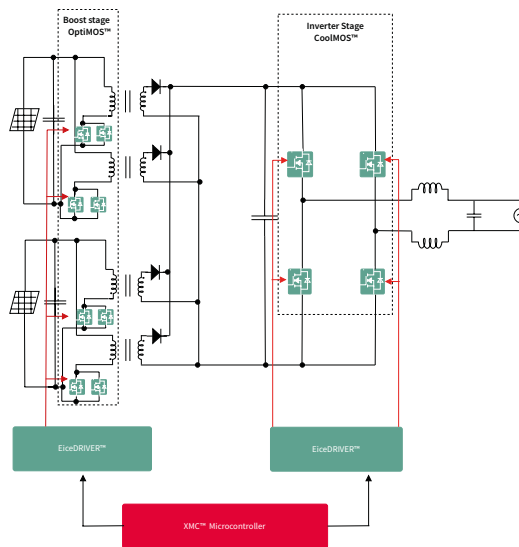
Optimizer



Functional block	Product family	Input voltage	Voltage class [V _{DS max}]	Package*	Part number*	R _{DS(on)}
Buck boost MPPT	OptiMOS™	≤ 48 V	60 V	SuperSO8	BSC012N06NS	1.2 mΩ
				SuperSO8 SC	BSC01406NSSC	1.4 mΩ
				DirectFET™	BSB028N06NN3 G	2.8 mΩ
				SuperSO8 SC	BSC028N06NSSC	2.8 mΩ
		≤ 64 V	80 V	SuperSO8	BSC021N08NS5	2.1 mΩ
				DirectFET™	BSB044N08NN3 G	4.4 mΩ
		≤ 80 V	100 V	SuperSO8	BSC027N10NS5	2.7 mΩ
				SuperSO8 SC	BSC040N10NS5SC	4.0 mΩ
				DirectFET™	BSB056N10NN3 G	5.6 mΩ
		≤ 125 V	200 V	SuperSO8	BSC220N20NSFD	9.3 mΩ
Gate-driver ICs		Single channel	PG-SOT23-6	1EDN8550		
			DSO8	1EDI60N12AF [10 A]		
		Dual channel	VDSON	2EDL81xx		
			DSO8	IRS2011 [1 A]		
DSO8	2ED2181S06F [2.5 A]					
	DSO8	IRS2186ST [4 A]				
Microcontroller	XMC4000 and PSoC™6					

Microinverter

- Microinverter can either be used per
- › single (~300 W) PV panel or
 - › multiple PV panels (600 – 1500 W)



Functional block	Product family	Voltage class [V _{DS max}]	Package	Part number	R _{DS(on)}	
MPPT – Boost stage	OptiMOS™	60 V	SuperSO8 SC	BSC01406NSSC	1.4 mΩ	
				BSC028N06NSSC	2.8 mΩ	
		100 V	SuperSO8	BSC040N10NS5SC	4.0 mΩ	
				BSC028N06NS	2.8 mΩ	
		80 V	SuperSO8	BSC026N08NS5	2.6 mΩ	
				BSC190N12NS3	19.0 mΩ	
		120 V	SuperSO8	BSC093N15NS5	9.3 mΩ	
				BSC160N15NS5	16.0 mΩ	
		CoolSiC™ Schottky diode	1200 V	DPAK	IDM02G120C5	2.0 A
					IDM05G120C5	5.0 A
	IDM08G120C5				8.0 A	
	Gate driver: EiceDRIVER™			VDSON-8	2EDL81xx	
				PG-DSO8-60/PG-TSSOP-8-1	2EDN7524F	
DFN-10 (3 x 3 mm)				2ED2742/44/48S01G*, 2ED2732/34/38S01G*		
DSO8 with power-pad				2ED24427N01F		
DSO8				IRS2011S, IRS2005S, IRS2007S, IRS2008S		
DSO8				1EDI60N12AF, 1ED3124MU12F		
Inverter stage	CoolMOS™	600 V	TO-Leadless	IPT60R102G7	102.0 mΩ	
			D ² PAK	IPB60R145CDF7*	145.0 mΩ	
			TO-247	IPW60R145CFD7	145.0 mΩ	
	CoolMOS™	650 V	D ² PAK	IPB65R125CFD7	125.0 mΩ	
			TO-247	IPB65R125CFD7	125.0 mΩ	
			PG-DSO-16	2EDS8165H		
Gate driver: EiceDRIVER™			PG-DSO8/PG-DSO-14	2ED2181S06F, 2ED21814S06F		
			DSO8	1EDI60N12AF, 1ED3124MU12F		
			DSO8	2EDS8265H		
Microcontroller	XMC4000 and PSoC™6					

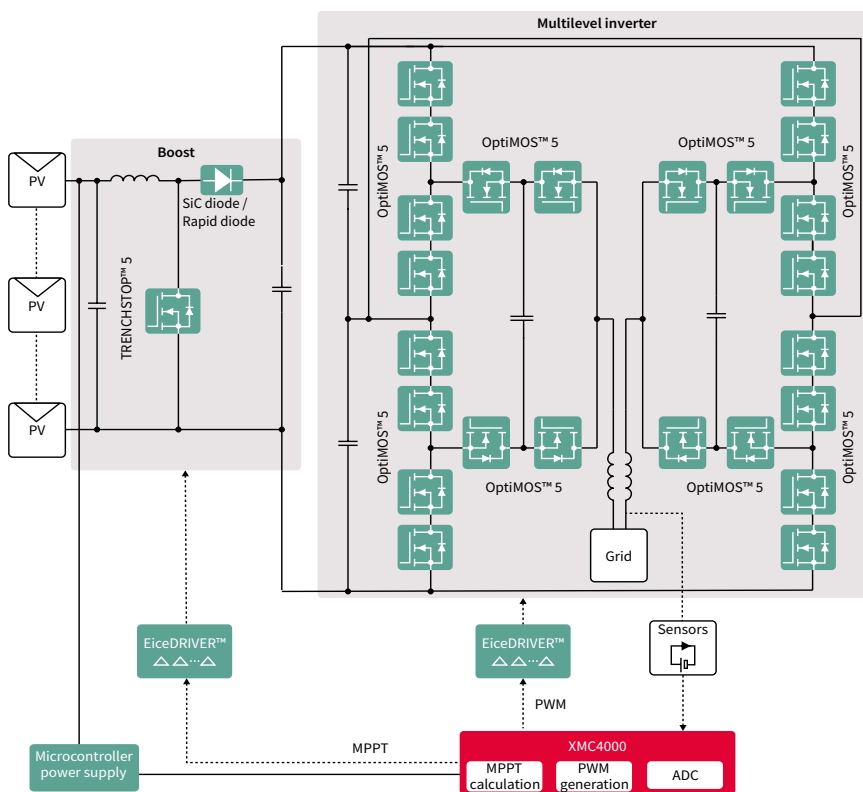
www.infineon.com/solar

*For more information on the product, contact our product support

For more details on the product, click on the part number, visit infineon.com or contact our [product support](#).



Single-phase string inverter – multilevel topology



In a multilevel inverter, four high-voltage MOSFETs/IGBTs in an H-bridge topology are replaced with a higher number of lower-voltage MOSFETs. Compared to a conventional H-bridge inverter, a multilevel inverter, composed of lower voltage MOSFETs, offers several advantages:

- › With much lower $R_{DS(on)}$ and switching loss parameters, it significantly reduces conduction and switching losses
- › Higher effective output frequency (smaller magnetics) is possible with lower switching losses
- › Improved EMC due to reduced switching voltages
- › Significant reduction in the cooling system, size and weight

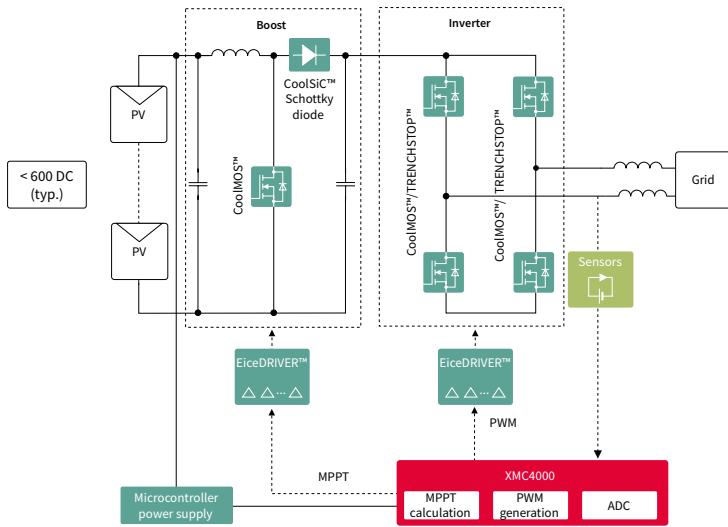
Discrete power devices for multilevel string inverter

Functional block	Product family	Voltage class [$V_{DS\ max}$]	Package	Part number	$R_{DS(on)}$
Boost	CoolMOS™	600 V	TO-247	IPW60R017C7	17 mΩ
			TO-247	IPW60R024P7	24 mΩ
			D ² PAK	IPB60R045P7	45 mΩ
	IGBT TRENCHSTOP™ 5	650 V	TO-247	IKW40N65EH5, IKW40N65ES5	40 A
			D ² PAK	IKB40N65EH5, IKB40N65ES5	40 A
CoolSiC™ Schottky diode	650 V	TO-247	IDW20G65C5	20 A	
		PG-SOT23-6	1EDN8511B	4 A/8 A	
Flying-capacitor-based active neutral-point-clamp (NPC)	OptiMOS™	150 V	SuperSO8	BSC093N15NS5	9.3 mΩ
			SuperSO8	BSC110N15NS5	11 mΩ
			DirectFET™	IRF150DM115*	11.3 mΩ
			D ² PAK	IPB044N15N5	4.4 mΩ
			D ² PAK	IPB048N15N5	4.8 mΩ
Gate-driver ICs	EiceDRIVER™ 2EDi		NB-DSO16	2EDF7275F	4 A/8 A
	EiceDRIVER™ SOI	650 V	DSO8, DSO-14	2ED2181S06F / 2ED21814S06J	2.5 A
	EiceDRIVER™ Compact	1200 V/2300 V	DSO8	1EDI60N12AF, 1ED3124MU12F	10 A, 14 A
Microcontroller	XMC4000 and PSoC™6				

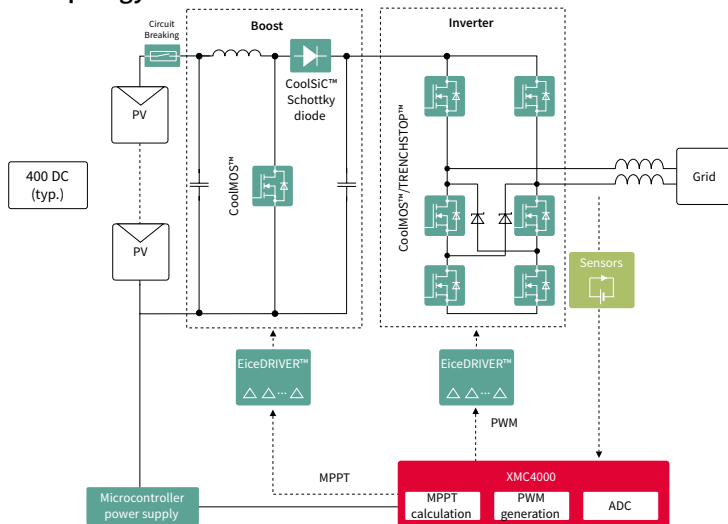


Single-phase string inverter

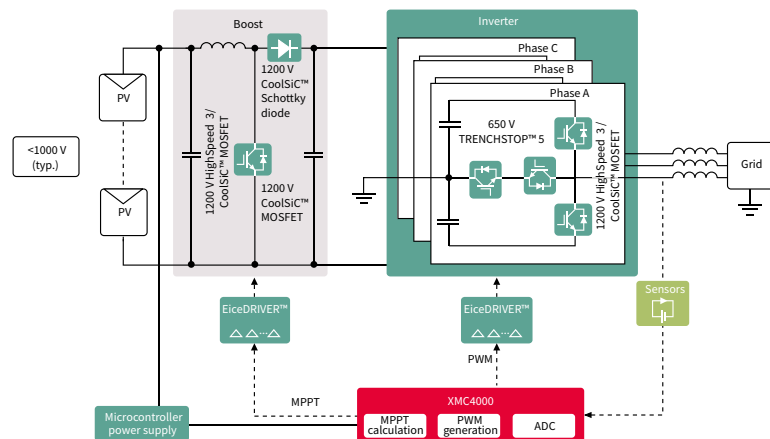
H4 topology



H6 topology



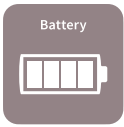
Three-phase string inverter



Discrete power devices for string inverter

Inverter type	Functional block	Product category	Product technology	Voltage	Package	Part number	R _{DS(on)}	Ampere			
Single phase	MPPT – Boost stage	Si MOSFET	CoolMOS™ P7	600 V	TO-247-3	IPW60R037P7	37 mΩ	-			
					TO-247-4	IPZA60R037P7	37 mΩ	-			
		SiC MOSFET	CoolSiC™ MOSFET	650 V	TO-247-4	IMZA65R027M1H	27 mΩ	-			
					TO-247-3	IMW65R048M1H	48 mΩ	-			
				1200 V	TO-247-3	IMW120R045M1	45 mΩ	-			
		IGBT	TRENCHSTOP™ 5 S5/H5	650 V	TO-247-3	IKW40N65ES5, IKW40N65EH5	-	40 A			
	TO-247-4				IKZ50N65ES5, IKZ50N65EH5	-	50 A				
	Diode	CoolSiC™ diode	650 V	TO-247	IDW20G65C5	-	20 A				
	Inverter	Si MOSFET	CoolMOS™ C7	650 V	TO-247-3	IPW65R065C7	65 mΩ	-			
					TO-Leadless	IPT60R022S7	22 mΩ	-			
						IPT60R040S7	40 mΩ	-			
					CoolMOS™ CFD7	600 V	TO-247-3	IPW60R018CFD7	18 mΩ	-	
		TO-247-3	IPW60R031CFD7	31 mΩ			-				
		SiC MOSFET	CoolSiC™ MOSFET	650 V	TO-247-4	IMZA65R027M1H	27 mΩ	-			
					TO-247-3	IMW65R048M1H	48 mΩ	-			
				1200 V	TO-247-3	IMW120R045M1	45 mΩ	-			
IGBT		TRENCHSTOP™ 5 S5/H5	650 V	TO-247-4	IKZ50N65ES5, IKZ50N65EH5	-	50 A				
				TO-247-3	IKW40N65ES5, IKW40N65EH5	-	40 A				
	IKQ75N120CH3				-	75 A					
Three phase	MPPT – Boost stage	IGBT	HighSpeed 3	1200 V	TO-247-3	IKW40N120H3	-	40 A			
					TO-247PLUS-3	IKQ75N120CH3	-	75 A			
		SiC MOSFET	CoolSiC™ MOSFET	1200 V	TO-247-3/-4	IMW120R030M1H, IMZ120R030M1H	30 mΩ	-			
						IMW120R045M1, IMZ120R045M1	45 mΩ	-			
	IMW120R060M1H, IMZ120R060M1H					60 mΩ	-				
	Inverter	IGBT	HighSpeed 3	1200 V	TO-247-3	IKW40N120H3	-	40 A			
					TO-247PLUS-3	IKQ75N120CH3	-	75 A			
		SiC MOSFET	CoolSiC™ MOSFET	1200 V	TO-247-3/-4	IMW120R030M1H, IMZ120R030M1H	30 mΩ	-			
						IMW120R045M1, IMZ120R045M1	45 mΩ	-			
						IMW120R060M1H, IMZ120R060M1H	60 mΩ	-			
						CIPOS™ Maxi	1200 V	DIP 36x23D	IM828-XCC	55 mΩ	-
		Gate-driver ICs						EiceDRIVER™ low side	25 V	SOT23-6	1ED44175/3N01B
								24 V	DSO8	2ED24427N01F	10 A
EiceDRIVER™	650 V							DSO-16	2EDS7165H	8 A	
EiceDRIVER™ SOI	650 V							DSO8	2ED2181S06F	2.5 A	
EiceDRIVER™	1200 V							SSOP-23, DSO-16	IR2214SS, IR2213S	2.5 A	
EiceDRIVER™ Compact	1200 V							DSO8	1EDI60I12AF, 1EDI30I12MF	10 A, 6 A	
	2300 V							DSO8	1ED3124MU12H, 1ED3122MU12H	14 A, 10 A	
EiceDRIVER™ Enhanced	2300 V							DSO-16/36	1ED3322MC12N, 2ED020I12-F2	8.5 A	
	2300 V	DSO-16	1ED3491MU12M, 1ED3890MU12M	9 A							
EiceDRIVER™ 2EDN family, EiceDRIVER™ 1EDB											
Microcontroller	XMC4000 and PSoC™6										





Energy storage systems

Make energy storage systems the backbone of the new energy era with our semiconductor system solutions

Facing diminishing fossil reserves, the world nonetheless needs to manage the rising demand for electrical energy while meeting the growing call for urgent climate action. The transition to renewable energies has become inevitable.

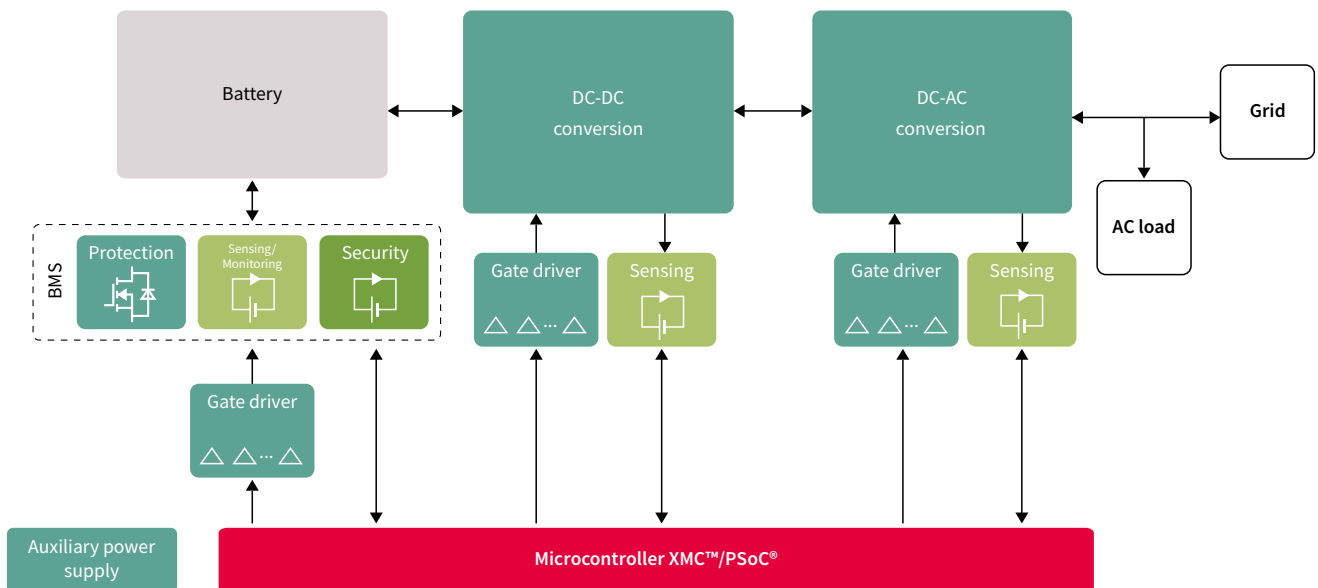
Energy storage systems play a vital role in managing this transition successfully. Our system solutions help to make energy storage the backbone of the new energy era. Our unique application expertise and comprehensive offering make us the natural choice to advance energy storage solutions in efficiency, performance, optimal cost, and innovation.

Features and benefits

Key features
> Efficient power conversion in DC-DC and AC-DC stage
> Power dense design
> Bi-directional power flow
> Safe operation of Li-ion battery
> Long battery lifetime

Key benefits
> Improvement of system performance with industry leading semiconductor offering such as OptiMOS™ , CoolMOS™ , CoolSiC™ MOSFETs but also best-in-class modules and matching EiceDRIVER™ gate drivers
> Reduction of design efforts and faster time to market
> Trust in a true partnership during the whole system lifetime
> Full system provider from power conversion stage (PCS) to the battery management system (BMS)

Application diagram



Highlight/recommended product portfolio

Functional block	Power/battery voltage	Voltage class [V _{DS max}]	Product family	Package	Benefits	
Power conversion systems (PCS)	< 10 kW	150 V	BSC074N15NS5, IPT059N15N3	SuperSO8, TOLL	› High power density and system cost reduction	
		600 V/650 V	CoolMOS™ CFD7/S7	TO-220/247, ThinPAK 8x8, TOLL	› Highest efficiency, enabling increased power density / more compact and easier design	
		600 V	CoolSiC™ Schottky diode G6	TO-220	› Improved system efficiency and extremely fast switching	
		650 V	CoolSiC™ MOSFET	TO-247	› Combination of high performance, high reliability and ease of use	
	10-100 kW	150 V	OptiMOS™	TO-263	› High power density and system cost reduction	
		600 V	CoolMOS™ C7/P7	TO-247	› Ease of use and fast design-in	
		650 V	CoolSiC™ MOSFET	TO-247	› Combination of high performance, high reliability and ease of use	
		650 V	TRENCHSTOP™ 5 H5	TO-247	› Benefit increase at high current conditions	
		650 V	CoolSiC™ Schottky diode C6	TO-220	› Higher frequency and increased power density	
		1200 V	CoolSiC™ MOSFET	TO-247	› Highest efficiency and increased power density	
		1200 V	TRENCHSTOP™ 5/6 or S6	TO-247	› High device reliability and lifetime expectancy	
	101-250 kW	150 V	IPB048N15N5	D ² PAK	› Enables and simplifies the setup of 2nd life batteries › Lower switching voltage enables higher inverter efficiency	
		200 V	IPB107N20N3 G	D ² PAK	› Enables and simplifies the setup of 2nd life batteries › Lower switching voltage enables higher inverter efficiency	
		1200 V	EasyPACK™ 2B	Modules	› Highest efficiency for reduced cooling effort	
		1700 V	PrimePACK™/EconoDUAL™	Modules	› High power density	
	> 0.25 MW	1200 V	PrimePACK™/EconoDUAL™	Modules	› Easy and most reliable assembly	
		1700 V	PrimePACK™/EconoDUAL™	Modules		
	Gate driver	20 V	EiceDRIVER™ 1EDN	PG-SOT23-6	› Single-channel non-isolated	
		25 V	1ED44175N01B/1ED44173N01	PG-SOT23-6	› Single-channel with fast, accurate (± 5%), integrated over-current protection (OCP)	
		24 V	2ED24427N01F	PG-DSO8 with power-pad	› Dual-channel, 10 A low-side gate driver › Integrated undervoltage lockout (UVLO) protection and enable (EN) function › High frequency, high power operation with BOM savings	
		650 V	EiceDRIVER™ 2EDS	PG-DSO-16-NB	› Dual-channel reinforced (safe) isolated	
		650 V	EiceDRIVER™ 2EDF	PG-DSO-16-NB	› Dual-channel functional isolated	
		650 V	2ED2181S06F 2ED21814S06J	DSO8 DSO-14	› Integrated bootstrap diode › Superior -V _s transient voltage immunity › High-frequency switching (500 kHz)	
600 V		IRS2186S/IRS21864S	DSO8 / DSO-14	› 4 A/4 A high- and low-side gate driver		
600 V/1200 V		IR2114SS/IR2214SS	SSOP-24	› Half-bridge gate driver with DESAT, 2L SRC, soft-SD		
1200 V		IR2213S	DSO-28	› High- and low-side gate driver		
2300 V		EiceDRIVER™ Compact 1ED3124MC12H/1ED3122MC12H	DSO8	› Single-channel isolated driver with Miller clamp/sep-out		
1200 V/2300 V		EiceDRIVER™ Enhanced 1ED3322MC12N	DSO-16	› Single-channel isolated driver with DESAT and Miller clamp		
BMS – battery protection		40-60 V	100 V	IPT007N06N,IRF40SC240/ IPB010N06N	TOLL, D ² PAK	› Highest system efficiency › Minimize parallelization of MOSFETs
		60-100 V	150 V	IPT010N08N5/IPT015N10N5 IPB017N08N5/IPB020N10N5LF	TOLL, D ² PAK	› Market-leading MOSFETs with lowest R _{DS(on)} enabling low conduction losses
	100-150 V	200-300 V	IPB020N10N5LF/IPB048N15N5LF	D ² PAK	› Widest SOA area with LinearFET™	
	150-400 V	600 V	CoolMOS™ S7	TO-247	› Lowest R _{DS(on)} MOSFET	
BMS Monitoring and balancing	IC	Battery management IC (TLE9012DQU)	PG-TQFP-48	› ASIL-D compliant › Cell balancing with integrated switches with up to 150 mA using external resistors to reduce chip power consumption › 12x delta-sigma ADCs ensure that the voltage of all cells is measured synchronously › ISO UART includes an 8-bit CRC to ensure data integrity until microcontroller register		
BMS Transceiver	IC	Battery management IC (TLE9015QU)	PG-TQFP-48	› UART to ISO UART communication › General purpose error pin › Support diagnosis feature		
BMS Digital isolator	IC	ISOFACE™ digital isolators*	PG-DSO8	› Isolated CAN/UART communication		
BMS Microcontroller	MCU	PSoC™		Main features of PSoC™ 4: › 32-bit MCU subsystem › 48-MHz Arm® Cortex®-M0+ CPU › Up to 256 kB flash › 32 kB SRAM › Up to 2 CAN › USB/up to 4 serial channels		

www.infineon.com/energy-storage-systems

*Coming soon

For more details on the product, click on the part number, visit infineon.com or contact our [product support](#).



20-300 V MOSFETs

500-950 V MOSFETs

Gate-driver ICs

Digital isolators

IGBT discretes and silicon power diodes

Intelligent power switches and modules

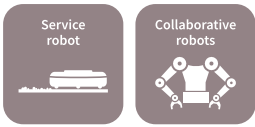
Microcontrollers

Power management ICs

WBG semiconductors

Sensors

Packages



Robotics

Superior solutions for industrial and service robotics

Disruptive technologies have significantly changed our lifestyle in the past few decades. Now a new era is on the horizon – the age of robots. Robots are joining the ranks of innovative and disruptive technologies by revolutionizing traditional habits and processes. Today’s robots can identify and navigate through surroundings, work alongside and even interact with humans. Moreover, they teach themselves the skills required to complete a new task.

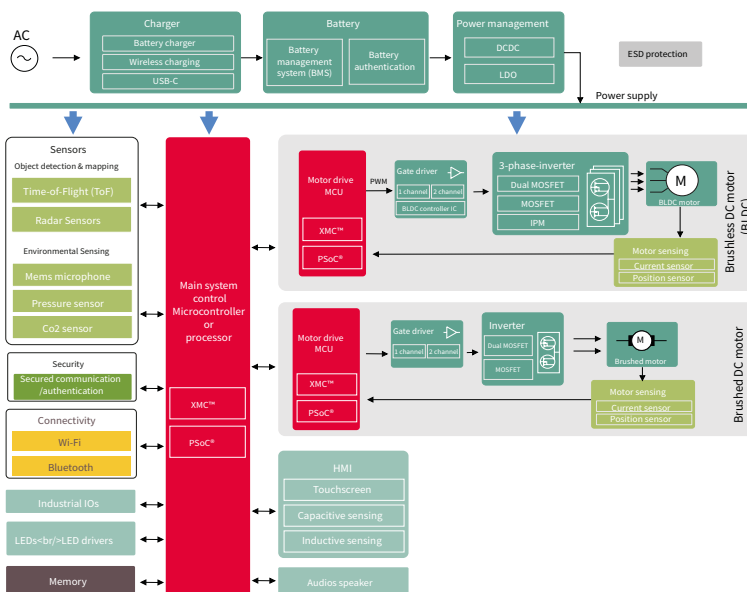
All this would not be possible without semiconductor solutions. Whether in an industrial robot, a collaborative robot (cobot), a mobile robot (AGV, AMR) for warehouses or last-mile delivery and personal care purposes (or a domestic robot in form of vacuum or lawn mower robots) intelligent semiconductors are the key enablers for all major robotic functions. Drawing on our insight into all facets of the robotics field and with a comprehensive portfolio of power products and sensors on offer, Infineon provides reliable system solutions that address the latest trends in robotics. Whether it is artificial intelligence, Internet of Things, smart home, cloud-based services, human-machine interface or any robotics-related field, Infineon has value to add to nearly all robot designs.

Features and benefits

Key features	Key benefits
<ul style="list-style-type: none"> Fast time to market 	<ul style="list-style-type: none"> A complete eco-system of simulations, documentation, and demonstration boards enable a faster time to market
<ul style="list-style-type: none"> Complete solutions – broad portfolio from power to connectivity (Wi-Fi & Bluetooth®) and sensors 	<ul style="list-style-type: none"> Whatever design specification, Infineon has the answer thanks to its comprehensive portfolio of products and solutions which you can easily tailor to your needs
<ul style="list-style-type: none"> Extended battery lifetime and product life spans 	<ul style="list-style-type: none"> High reliability of Infineon components results in prolonged product life spans
<ul style="list-style-type: none"> Overall system size and cost reduction 	<ul style="list-style-type: none"> Reduction of overall system size and cost thanks to small form factor and compact design of components, both of which are required for highest power density
<ul style="list-style-type: none"> Security, quality, and safety 	<ul style="list-style-type: none"> BOM savings thanks to lowest $R_{DS(on)}$
<ul style="list-style-type: none"> Authentication 	<ul style="list-style-type: none"> Trustworthy hardware-based security
	<ul style="list-style-type: none"> As a security market leader with a proven track record and outstanding partner network for embedded security, Infineon provides highest quality standards and a safety-certified development process
	<ul style="list-style-type: none"> OPTIGA™ Trust enables authentication of components connected to the system (e.g., battery pack recognition to avoid second-party batteries)

Domestic robots - simplifying everyday life and work

Structural system overview: domestic robots

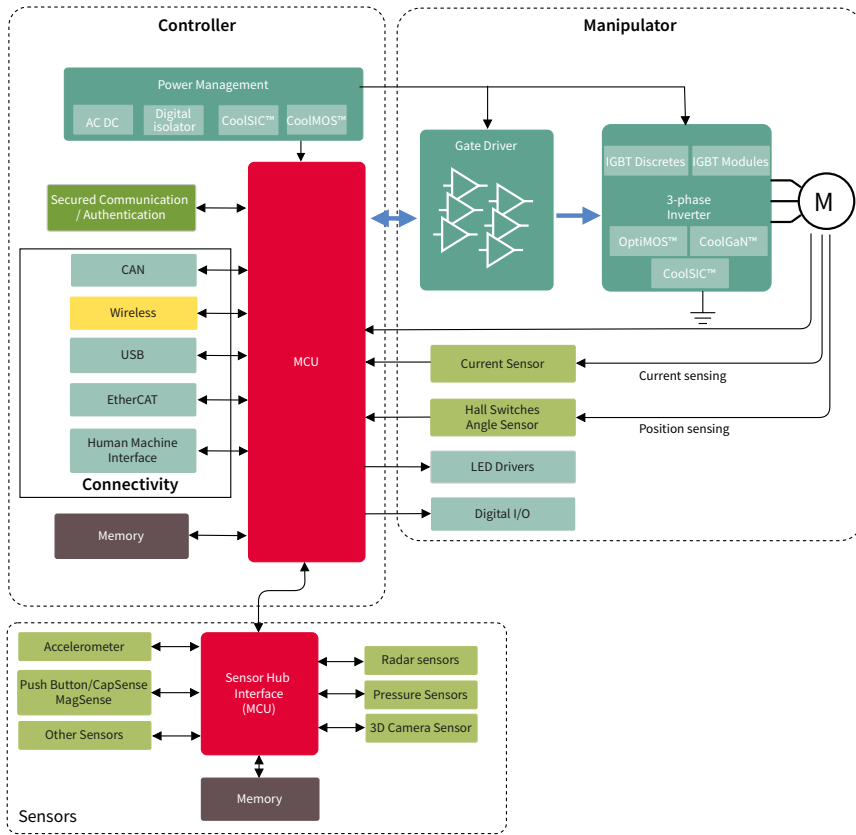


The latest generation of domestic robots has ushered in a new level of assistance and simplicity in homes and professional environments. They directly interact with humans, which introduces unique challenges from a design perspective, especially in domestic environments. Energy efficiency, long battery life as well as security aspects and sensing capabilities are key to user-friendly and safe designs. By choosing Infineon, you get a one-stop semiconductor shop for all your robot design needs.



Industrial robots and cobots – advance through collaboration

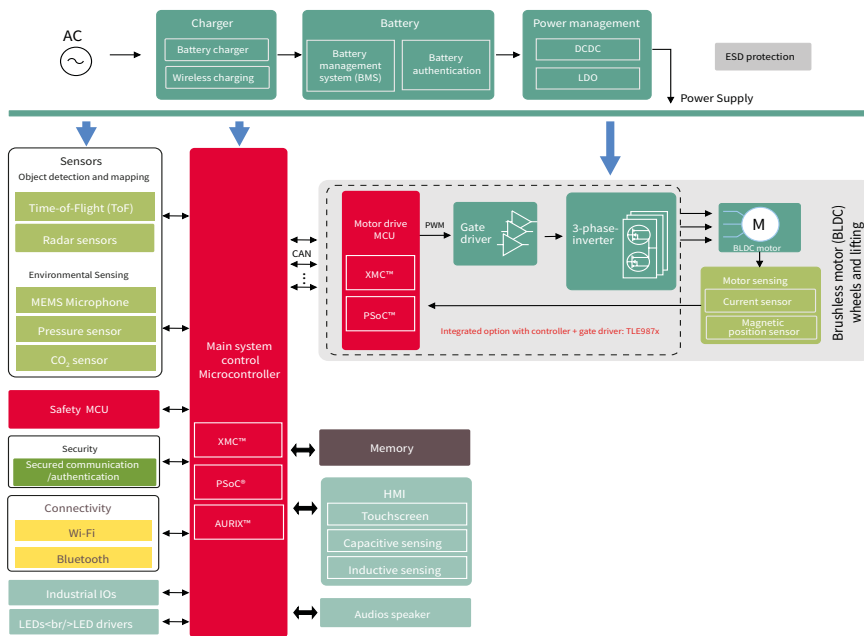
Structural system overview: industrial robots and cobots



Serving Industrial robot manufacturers with the best system solutions for years, Infineon is also well set to provide the right fit products for the upcoming category of collaborative robots Cobots, as they are shortly called work outside the limitation of a safety cell, directly interacting with real people. This setup requires a precise set of design features, especially for the sake of workplace safety. With Infineon’s semiconductors for cobot systems, you benefit from the expertise of an experienced and reliable partner. Our radar and sensor solutions, for example, provide the tools to uphold even the highest safety standards and allow the robots to leave their formerly fenced working environment.

Mobile robots – driving production and automatization forward

Structural system overview: Mobile robots (AGV, AMR)



Autonomous mobile robots (AMRs) are a self-driving force behind automated processes and offer the highest degree of flexibility within working environments due to battery-powered systems. Covering the entire product portfolio for robotics applications – from the power supply to motor drives and sensors for navigation and environment scanning – Infineon is equipped to ensure mobile robots can find their way through nearly all environments.

Recommended products

		Industrial robots		Cobots	Mobile robots (AMR, AGV)	Domestic robots	
Common system power		> 5 KW	< 5 KW	100 – 1000 W	200- 500 W	10 – 100 W	
Common operating/battery voltage		3 V ~ 400V _{AC}	1 V~ 110 V-220 V _{AC}	1 V~ 110 V-220 V _{AC} / 48 V _{DC} Bus	24 V – 48 V _{DC}	12 V - 36 V _{DC}	
Power supply and charger	Power switch	650 V and 1200 V CoolSiC™ MOSFET 600 V/650 V IGBT HighSpeed 5 650 V IGBT TRENCHSTOP™ 5 and IGBT 7 T7 650 V and 1200 V EasyPACK™ Module		600 V/650 V CoolMOS™ 650 V CoolSiC™ 20 V - 200 V OptiMOS™ and StrongIRFET™	600 V/650 V CoolMOS™ 650 V CoolSiC™ 20 V - 200 V OptiMOS™ and StrongIRFET™	600 V/650 V CoolMOS™ 650 V CoolSiC™ 20 V - 200 V OptiMOS™ and StrongIRFET™	
	PFC power diodes	650 V CoolSiC™ Schottky diode					
	Gate driver EiceDRIVER™ family	low-side single-channel: 1EDN7550B, 1EDN8550B, 1ED44175N01B, 1ED44173N01B low-side dual-channel: 2ED24427N01F, 2EDN7523G 1200 V single-channel isolated: 1ED3124MU12F, 1EDI60N12AF		650 V half-bridge: 2EDF9275F, 2EDF7175F, 2ED2304S06F, 2ED2182S06F, 2ED2110S06M 650 V high-side: 1EDB9275F, 1EDB6275F, 1EDB8275F			
	Digital Isolator ISOFACE™ family	ISO1I813T ISO1H816G 2DIB0410F					
	Microcontroller (MCU)	Arm® Cortex®-M0: XMC1100 or XMC1300 Arm® Cortex®-M4: XMC4200					
Motor control and drive	Power Switch	1200 V IGBT 7 S7 1200 V CoolSiC™ MOSFET 1200 V CoolSiC™ Easy1B Module	650 V and 1200 V CoolSiC™ CoolGaN™ 600 V 600 V/650 V/1200 V TRENCHSTOP™ 600 V EasyPIM™ and EasyPACK™ 600 V CIPOS™ (full integration)	60 – 100 V OptiMOS™ and StrongIRFET™ Recommended packages: PQFN 3 x 3 (space savings) Super SO8 (price/performance) TOLL (high current)	60 – 150 V OptiMOS™ and StrongIRFET™ Recommended packages: PQFN 3 x 3 (space savings) Super SO8 (price/performance) TOLL (high current)	25 – 60 V OptiMOS™ and StrongIRFET™ Single- and dual-channel MOSFETs Recommended packages: PQFN 3 x 3 (space savings) Super SO8 (price/performance) TOLL (high current)	
	Gate driver EiceDRIVER™ family	1200V single-channel isolated Compact: 1ED31xx and 1ED-MF 1200 V single-channel isolated Enhanced: 1ED34xx and 1ED-F2 1200 V half-bridge IR2214SS 1200 V three-phase: 6ED2230S12T	650 V half-bridge: 2EDF9275F, 2EDF7275F, 2EDF7175F, 2ED2304S06F, 2ED2182S06F, 650 V high-side: 1EDB8275F, 1EDB9275F, 1EDB6275F 650 V three-phase: 6EDL04N06PT	600 V half-bridge: IRS21867S, IRS2186S 200 V half-bridge: IRS2005S, IRS2007S, IRS2008S, 2EDF7275K 200 V three-phase: 6EDL04N02 160 V three-phase: 6ED2742S01 200 V high-side: 1EDN7550B & 1EDB8550B 160 V half-bridge: 2ED2748S01G, 2ED2738S01G 120 V half-bridge: 2EDL8124G 60 V three-phase programmable: 6EDL7141 25 V low-side: 1ED44173N01B, IRS44273L			
	Microcontroller (MCU)	PSoC™: Arm® Cortex® M4F+M0 → CY8C61x8 XMC™: Arm® Cortex® M4F → XMC4800 TRAVEO II™: Arm® Cortex® M7 Dual Core + Arm® Cortex® M0+ → CYT4BF8CD AURIX™: TriCore → TC337					
	Digital isolator ISOFACE™ family	ISO1I813T ISO1H816G 2DIB0410F					
	Hall switch	XENSIV™ TLx496x					
	Current sensor	XENSIV™ TLI4971					
	Angle sensor	XENSIV™ TLE/TLI5012B, TLE5014SP					
	Battery management system (BMS)	Microcontroller (MCU)			XMC™: XMC4x00 (Arm® Cortex® - M4F) PSoC™: PSoC™ 4 (Arm® Cortex®M4F+M0)		
		Protection switches			100 V - 150 V OptiMOS™ or StrongIRFET™ IPT015N10N5, IRFS4115	30 V – 80 V OptiMOS™ or StrongIRFET™ BSC007N04LS6, IRL40T209, IRFS7430	
		Balancing switches (small signal)			20 V or 30 V N/P MOSFETS in SOT23, TSOP6 or SOT363 dual-channel		
Monitoring and balancing IC				TLE9012AQU (sensing IC) TLE9015QU (transceiver IC)			
Battery authentication				OPTIGA™ Trust Charge OPTIGA™ Authenticate IDoT			
Sensing (e.g., room mapping, HMI, collision avoidance, air quality)	Radar	XENSIV™ 60 GHz: BGT60LTR11AIP XENSIV™ 24 GHz Radar: BGT24LTR11 or BGT24MTR11					
	ToF (Time-of-Flight) 3D image sensors	XENSIV™ REAL3™ 3D image sensor: IRS1125A, IRS2877AS (functional safety ISO26262) XENSIV™ VCSEL Driver: IRS9100C, IRS9102C				XENSIV™ REAL3™ 3D image sensor: IRS2381C, IRS2875C, IRS2877C XENSIV™ VCSEL Driver: IRS9100C, IRS9102C	
	MEMS Microphones	XENSIV™ MEMS microphones, digital I/F: IM69D130 or IM69D120					
	Other sensors	Pressure sensor: XENSIV™ DPS368 (e.g., airflow control) CO ₂ Sensor - XENSIV™ PAS CO2					
Connectivity and human-machine interface (HMI)	Wi-Fi	CW4373 (1x1 dual-band Wi-Fi 5) CW43439 (1x1 2.4GHz Wi-Fi 4)					
	HMI	PSoC™ 4000 - entry-level PSoC™ 4100 - more touch buttons PSoC™ 4700 - inductive sensing					
Security	Authentication and protection	OPTIGA™ Trust B OPTIGA™ Trust M					
Memory	NOR Flash	S25FL-L serial NOR Flash memories Densities 64 MB to 256 MB					
Others	Voltage regulator	DC-DC voltage regulator 12 V/5 V or 3.3 V, watchdog, error monitoring, safe state control, BIST etc.					
	LED Driver	Driving currents from 10 mA to 250 mA – linear driver ICs: BCR3xx, BCR4xx Support currents from 150 mA to 3 A – DC-DC switch-mode: ILD4xxx, ILD6xxx					



Onboard chargers for xEV applications

Best solutions for electrified powertrain in XEV applications:
on-board chargers and HV/LV DC-DC converter

The electrification of the powertrain enables local emission-free mobility and driving pleasure. The needed energy is stored and delivered from a battery. Infineon's semiconductor solutions do not only enable core functionalities in the electrification but also extend the driving range, reduce charging times and energy transfer between the high voltage systems with the traditional 12 V domain.

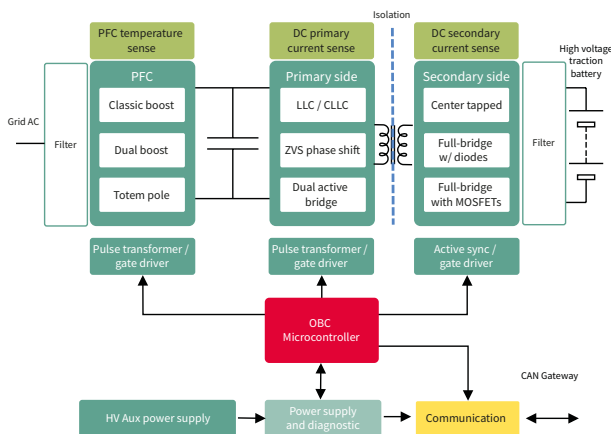
On-board chargers

Every plug-in hybrid electric vehicles (PHEV) and pure electric cars are equipped with at least one on-board charger, allowing battery recharge from any standard AC power outlet. Available power depends on regional regulations and installation base, typically providing up to 7.4 kW for PHEVs and up to 22 kW maximum power. System designers face the challenge of supporting the varied voltage and current levels while increasing the power density. When it comes to on-board charging, the key success factors involve efficiency and a high power density for a small form factor. The long-term trend is moving towards bidirectional charging, where the charger also feeds power from the car to the smart grid.

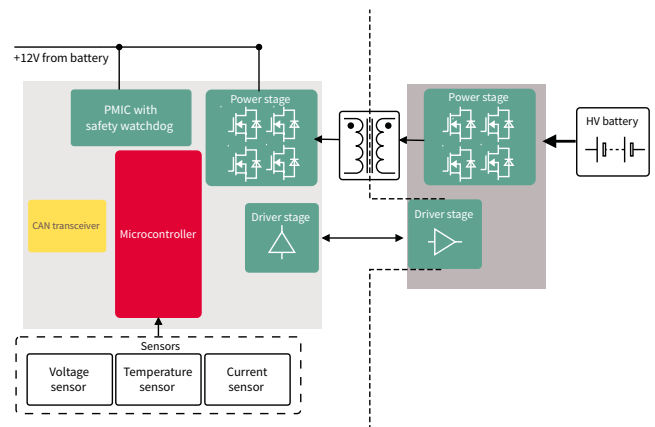
High-voltage DC-DC converter

The architecture of electric vehicles comprises at least one low-voltage sub-network with low-voltage energy storage and multiple electrical loads and one high-voltage sub-network with high-voltage energy storage. The auxiliary HV/LV DC-DC converter's function is to enable the bidirectional energy flow between these two electrical subnets. Typical design challenges are achieving the greatest possible efficiency and keeping the overall system costs under control. The space required for the DC-DC converter should also be kept to an absolute minimum. Infineon's portfolio is specially designed to help easily overcome these barriers.

On-board chargers: functional blocks



HV/LV DC-DC converter: functional blocks



Product portfolio for on-board charger and HV/LV DC-DC applications

Infiniteon's comprehensive portfolio of semiconductors (sensors, microcontrollers, power semiconductors, etc.) lends itself perfectly to designing compact units for on-board, off-board, and wireless charging. Infineon products in this sector support high-switching frequencies at lowest possible on-state resistance ($R_{DS(on)}$) to enable compact and efficient designs. The power offering includes MOSFETs such as CoolMOS™, IGBTs such as TRENCHSTOP™ 5, SiC Schottky diodes such as the CoolSiC™ diode 650 V, the CoolSiC™ Hybrid discrete (integrated IGBT and SiC diode), and easy module solutions. In addition, integrated MOSFET and IGBT drivers, controller ICs for active CCM PFC high-performance microcontroller solutions, and highly accurate current sensors complete the product portfolio. For more information about off-board chargers, refer to the [Fast/wireless EV charging](#) chapter.

Automotive products for on-board charger units

Part number	Product family	Description
CoolMOS™ 650 V	IPx65RxxxCFD7A	650 V MOSFETs with integrated fast body diode
TRENCHSTOP™ 5 AUTO IGBT	AIKW50N, AIKW40N, AIGW40	IGBT discrete dedicated to automotive applications
CoolSiC™ 1200 V	AIMW120Rx	Automotive 1200 V discrete SiC MOSFET
Level shifter	AUIRS2191S, AUIRS2113S	Automotive high and low side driver
Automotive EiceDRIVER™	2ED02012FA	Dual-channel isolated driver for 650 V/1200 V IGBTs and MOSFETs
AURIX™ microcontroller	TC23xL, TC26xD, TX36x*, TC37X*	32-bit lockstep microcontroller
OPTIREG™ PMIC	TLF35584, TLF35585	ISO 26262 – system-supply optimized for AURIX™
CAN FD transceiver	TLE9350, TLE9351, TLE9252	High-speed automotive CAN transceiver with 5 Mbps
OPTIREG™ SBC	TLE9461, TLE9471	High integrated solution for microcontroller supply and communication
OPTIREG™ Linear	TLS810, TLS850, TLS105, TLS820	Automotive linear voltage regulators
XENSIV™ current sensor	TLI4971	Coreless magnetic current sensors

Easy modules for on-board charger units

Part number	Product family	Description
CoolMOS™ Easy module 650 V	F4-35MR07W1D7S8_B11/A*	650 V MOSFET in H-bridge configuration with integrated capacitor in Easy 1B package
CoolMOS™ Easy module 650 V	F4-35MR07W2D7S8_B13/A*	650 V MOSFET in H-bridge configuration with IGBT H5, rapid diode & integrated capacitor in Easy 2B package
CoolMOS™ Easy module 650 V	F4-xxMR07WxD7_Bxx/A	650 V MOSFET in H-bridge configuration in Easy package
CoolMOS™ Easy module 650 V	FSxxMR07WxD7_Bxx/A	650 V MOSFET in SixPACK configuration in Easy package
CoolMOS™ Easy module 650 V	FFxxMR07WxD7_Bxx/A	650 V MOSFET in half-bridge configuration in Easy package
CoolSiC™ Easy module 1200 V	F4-xxMR12WxM1H_Bxx/A	1200 V SiC MOSFET in H-bridge configuration in Easy package
CoolSiC™ Easy module 1200 V	FSxxMR12WxM1H_Bxx/A	1200 V SiC MOSFET in SixPACK configuration in Easy package
CoolSiC™ Easy module 1200 V	FFxxMR12WxM1H_Bxx/A	1200 V SiC MOSFET in half-bridge configuration in Easy package

For more information about off-board chargers, refer to the [Fast/wireless EV charging](#) chapter.



Automotive products for the car side**

Product family	Part number	Description
Automotive EiceDRIVER™	1ED020112FA2	Single-channel isolated driver for 650 V/1200 V IGBTs and MOSFETs
Automotive EiceDRIVER™	1ED020112FTA	Single-channel isolated driver, two-level turn-off for 650 V/1200 V IGBTs
Automotive EiceDRIVER™	2ED020112FA	Dual-channel isolated driver for 650 V/1200 V IGBTs and MOSFETs
CoolMOS™	IPx65RxxxCFD7A	650 V MOSFET with integrated fast body diode
AURIX™	TC23xL, TC26xD, TX36x*, TC37X*	32-bit lockstep microcontroller
OPTIREG™ PMIC	TLF35584, TLF35585	ISO 26262 – system-supply optimized for AURIX™
CAN FD transceiver	TLE9350, TLE9351, TLE9252	High-speed automotive CAN transceiver with 5 Mbps
OPTIREG™ SBC	TLE9461, TLE9471	High integrated solution for microcontroller supply and communication
OPTIREG™ Linear	TLS810, TLS850, TLS105, TLS820	Automotive linear voltage regulators

Industrial products for the road side**

Product family	Part number	Description
CoolMOS™ CFD7 SJ MOSFET	IPW60R031CFD7	600 V MOSFET, 31 mΩ, TO-247
CoolMOS™ C7 SJ MOSFET	IPW60R040C7	600 V MOSFET, 40 mΩ, TO-247
CoolMOS™ P7 SJ MOSFET	IPW60R037P7	600 V MOSFET, 37 mΩ, TO-247
TRENCHSTOP™ 5 IGBTs	IKW40N65F5	Fast IGBT with Rapid 1 diode, 40 A, TO-247
TRENCHSTOP™ 5 IGBTs	IGW40N65F5	Fast IGBT, single, 40 A, TO-247
CoolSiC™ diode	IDW40G65C5	650 V SiC Schottky diode generation 5, 40 A, TO-247
XMC™ microcontroller	XMC4000	32-bit Arm® Cortex® -M4F microcontrollers, up to 125 °C ambient temperature
Linear voltage regulators	TLS805, TLS820, TLS850	Scalable Linear regulator family from 50mA to 500mA with robust design and feature sets
Current sensor	TLI4970	600 V functional isolation, ± 50 A
EiceDRIVER™ SOI gate driver	2ED21xxS06F	650 V half-bridge gate driver for IGBTs and MOSFETs
EiceDRIVER™ 1ED Compact gate-driver IC	1EDxxx112AF/MF, 1ED31xxMU12H	1200 V, single-channel, isolated driver with Miller clamp or separate output

Industrial products for the road side

Part number	Product family	Description
CoolSiC™ Easy module 1200 V	F3L11MR12W2M1_B74	1200 V SiC MOSFET in three-level configuration in Easy 2B package
CoolSiC™ Easy module 1200 V	FF45MR12W1M1(P)_B11*	1200 V SiC MOSFET in half-bridge configuration in Easy 1B package
CoolSiC™ Easy module 1200 V	FF23MR12W1M1(P)_B11	1200 V SiC MOSFET in half-bridge configuration in Easy 1B package
CoolSiC™ Easy module 1200 V	FF11MR12W1M1(P)_B11	1200 V SiC MOSFET in half-bridge configuration in Easy 1B package
CoolSiC™ Easy module 1200 V	FF8MR12W2M1(P)_B11	1200 V SiC MOSFET in half-bridge configuration in Easy 2B package
CoolSiC™ Easy module 1200 V	FF6MR12W2M1(P)_B11	1200 V SiC MOSFET in half-bridge configuration in Easy 2B package
CoolSiC™ Easy module 1200 V	F4-45MR12W1M1(P)_B76*	1200 V SiC MOSFET in H-bridge configuration in Easy 1B package
CoolSiC™ Easy module 1200 V	F4-23MR12W1M1(P)_B76*	1200 V SiC MOSFET in H-bridge configuration in Easy 1B package
CoolSiC™ Easy module 1200 V	F4-15MR12W2M1(P)_B76*	1200 V SiC MOSFET in H-bridge configuration in Easy 2B package
CoolSiC™ Easy module 1200 V	F4-11MR12W2M1(P)_B76*	1200 V SiC MOSFET in H-bridge configuration in Easy 2B package
CoolSiC™ Easy rectifier bridge module 1200 V	DDB2U20N12W1RF(P)_B11	1200 V SiC diode in rectifier bridge configuration in Easy 1B package
CoolSiC™ Easy rectifier bridge module 1200 V	DDB2U40N12W1RF(P)_B11	1200 V SiC diode in rectifier bridge configuration in Easy 1B package
CoolSiC™ Easy rectifier bridge module 1200 V	DDB2U60N12W1RF(P)_B11	1200 V SiC diode in rectifier bridge configuration in Easy 1B package

www.infineon.com/emobility

www.infineon.com/obc

* For more information on the product, contact our product support

** Available in different current ratings

For more details on the product, click on the part number, visit infineon.com or contact our [product support](#).





Light electric vehicles and forklift

e-bike, e-scooter, e-motorcycle, e-rickshaw, LSEV, e-forklift

As a leader in power semiconductors, Infineon strives to provide the most efficient, reliable, and smart solutions in the market. Keeping up with the latest market trends worldwide, Infineon prepares for the introduction of the following vehicle types, including but not limited to light electric vehicles:

- > Micromobility - e-bike, kick e-scooter
- > Electric powered 2/3 wheelers (ePTW) - e-moped, e-scooter, e-rickshaw, e-motorcycle
- > Low-speed electric vehicles (microEV), neighborhood EV (NEV), e-quadricycle
- > Other electric transporters (e.g., e-forklift, e-golf cart) with less than 200 V batteries

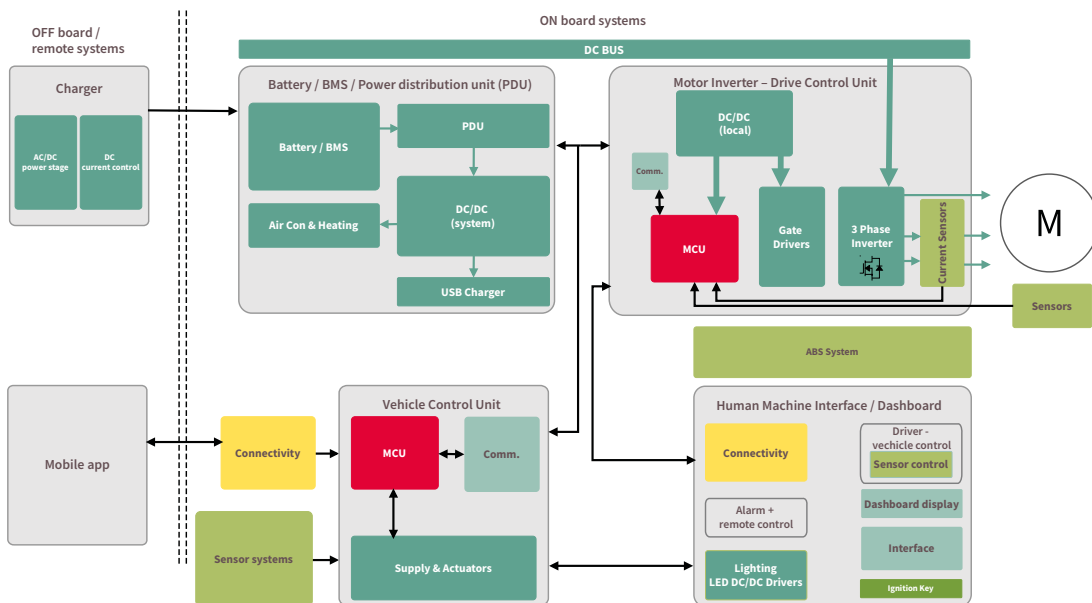
In contrast to automotive requirements, these applications (though also on-road) require different sets of safety and qualification standards that place more responsibility on the operator than the vehicle itself to mitigate risks. Many of Infineon's non-automotive and automotive offerings target these applications.

Different from the traditional vehicles with internal combustion engines, these type of vehicles are battery-powered with a bus voltage ranging from 28 V to 168 V. The commonalities among the electric light vehicles are motor drives/inverters, battery management systems, battery chargers/stations, as well as the increasingly popular smart features and electronics made possible due to their larger size batteries.

Key features and benefits

Key features	Key benefits
> Leading power MOSFET technology	> Highest power density and increased battery operating time
> Track record of reliability and quality	> Prolonged lifetime and low failure rate
> Complete portfolio for driver, microcontroller, and sensors	> One-stop shop for designers
> Broad connectivity products compliant to various standards	> Enabling smart features
> Complete design support with simulations, documentation and demonstration boards for high-end solutions	> Shortened development cycle

Application diagram





6 kW motor drive with 96 V bus voltage

Functional block	Topology	Product category	Product family	Part number
Motor drive	3-phase half bridge (B6)	LV MOSFETs	OptiMOS™ 5	IPT039N15N5
		Microcontrollers	XMC1400 series	XMC1404-F064X0200 AA
		Gate driver	EiceDRIVER™	2EDB8259F, IRS21867S
		Position/speed sensor	XENSIV™	TLE5501 E0002
		Current sensor	XENSIV™	TLE4972-AE35S5

For additional configurations, please refer to [High power low voltage drives](#).

Swappable 48 V 1.2 kWh battery

Functional block	Topology	Product category	Product family	Part number
BMS	Back-to-back with pre-charge	LV MOSFETs (charge)	OptiMOS™	IPTG014N10NM5
		LV MOSFETs (discharge)	OptiMOS™	IPTG014N10NM5
		LV MOSFETs (pre-charge)	HEXFET™	IRLR3110Z
		Microcontrollers	XMC™	XMC1200
		Gate driver	EiceDRIVER™	2ED4820
		Memory (RAM)	NOR Flash	S25FL256LAGMFB001
		Bluetooth®	AIROC™	CYW20719B1KUMLG
		Security	OPTIGA™ Authenticate IDoT	SLE95401TSNP6XTSA1

For additional configurations, please refer to [Battery management systems](#).

3 kW AC-DC rectifiers in swapping battery stations

Functional block	Topology	Product category	Product family	Part number	
Battery charging	Dual-boost PFC	PFC switch	CoolMOS™ P7	IPW60R037P7	
		PFC diode	CoolSiC™ G6	IDH20G65C6	
		Gate driver	EiceDRIVER™	2EDN7524F	
		PFC controller	ICE3x family	ICE3PCS01C	
		HB LLC	LLC switch (primary side)	CoolMOS™ CFD7	IPW60R040CFD7
			Gate driver	EiceDRIVER™ dual-channel functional isolated MOSFET gate drivers	2EDF7275F
	Sec SR MOSFET		OptiMOS™ 5	BSC093N15NS5	
	Gate driver SR		EiceDRIVER™ non-isolated driver IC	2EDN7524	
	QR flyback	Aux power controller	MCU	XMC™ industrial microcontroller family	XMC4200-F64k256BA
				CoolSET™	ICE5QR2280AZ

For additional configurations, please refer to [Battery chargers](#).

250 W AC-DC offline charger

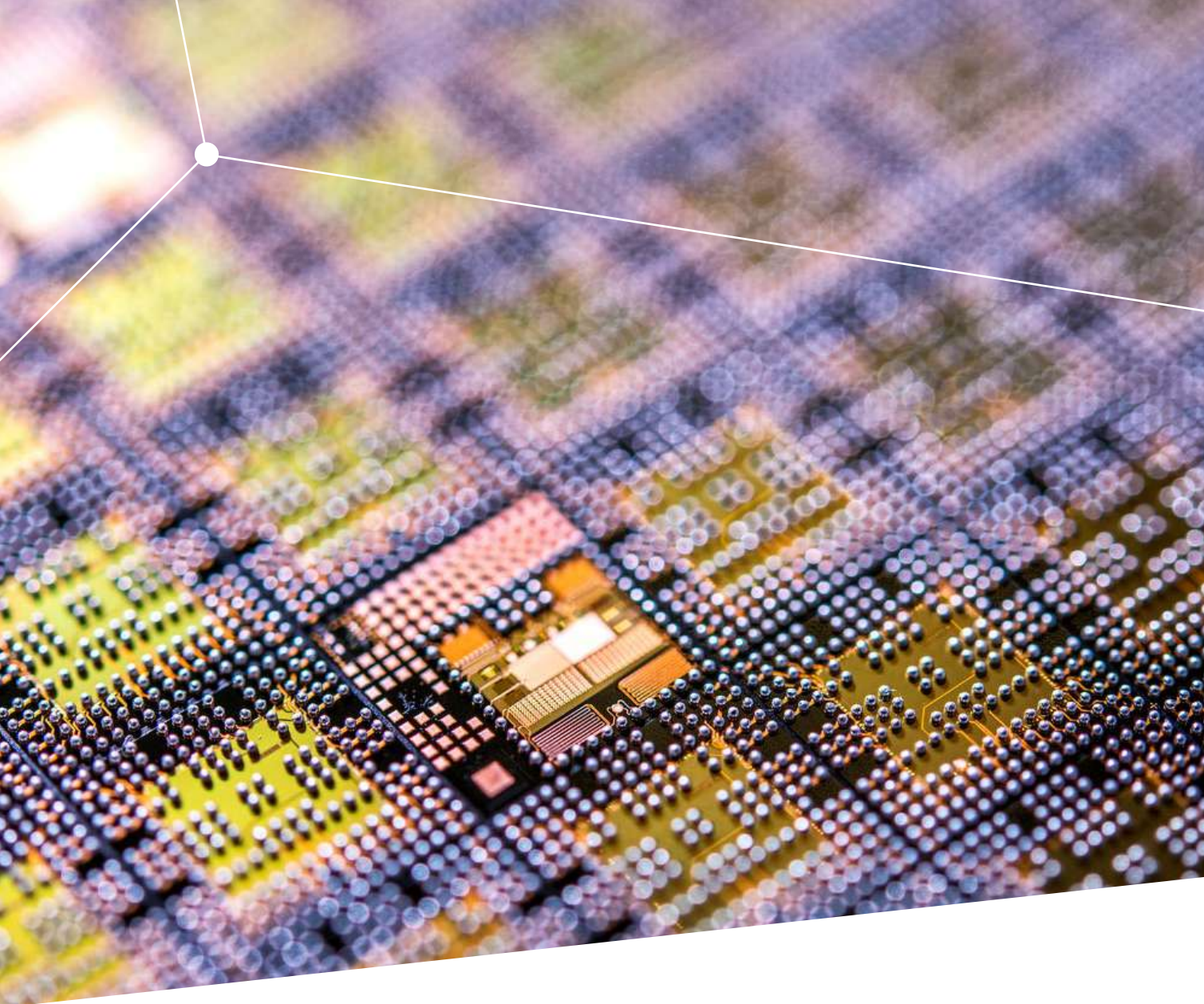
Functional block	Topology	Product category	Product family	Part number
Battery charging	PFC	Controller	Resonant combo PFC/LCC controller	ICL5102
		PFC switch	CoolMOS™ P7	IPA60R099P7
		HB switch	CoolMOS™ P7	IPA60R280P7
	LLC HV DC-DC	SR switch	StrongIRFET™	IRFB4615PbF
		Safety switch	OptiMOS™	IPD050N10N5
	QR flyback controller	Aux power IC	CoolSET™	ICE5QR2280AZ

For additional configurations, please refer to [Battery chargers](#).

www.infineon.com/lev

For more details on the product, click on the part number, visit infineon.com or contact our [product support](#).





Products

- › 20-300 V MOSFETs
- › 500-950 V MOSFETs
- › Gate-driver ICs
- › Discrete IGBTs and silicon power diodes
- › Intelligent power switches and modules
- › Microcontrollers
- › Power management ICs
- › Wide bandgap semiconductors
- › XENSIV™ sensor technologies for automotive, industrial and consumer applications
- › Packages

Dear users!

Our customers are at the heart of everything we do. Please give us feedback on how we can improve to meet your expectations with this document the best.





20-300 V MOSFETs

- › 20-300 V MOSFETs N-channel power MOSFETs
 - Technology development and product family positioning
- › Guidance for applications and voltage classes
- › Space-saving and high-performance packages
- › Discrete packages
- › Small-signal/small power MOSFETs -250 to 600 V
- › OptiMOS™ Source-Down power MOSFETs 25-150 V
- › StrongIRFET™ 2 MOSFETs 40 V/60 V/80 V/100 V
- › TOLx family
- › Product portfolio
- › Nomenclature

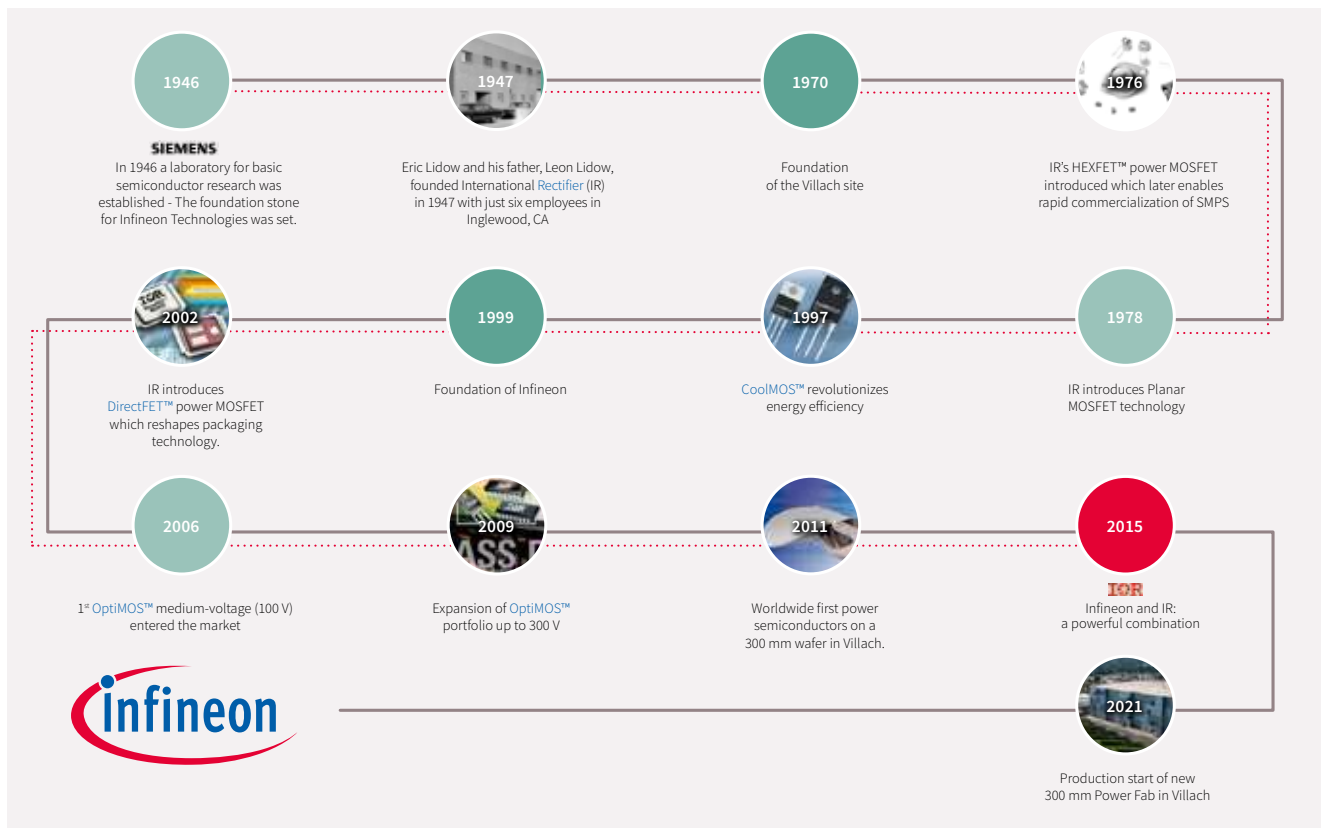
Dear users!

Our customers are at the heart of everything we do. Please give us feedback on how we can improve to meet your expectations with this document the best.

[Feedback](#)

Infineon shapes power for growth through MOSFET innovation

With more than 40 years of experience in power MOSFET innovation, Infineon has led the way in solving the challenges design engineers face on a daily basis while enabling them achieve their targets. Although these targets may have changed over the years, the innovative spirit behind Infineon's product offering has persisted – from device design, technology, package and product development through manufacturing. Looking at the evolution of MOSFETs in the industry, numerous advancements in MOSFET technology have enabled the applications and trends that have become an indispensable part of our lives. Infineon power MOSFET innovation has proven that optimization at the component level brings significant system-level performance advantages and contributes to an easier, safer and greener future.



OptiMOS™ and StrongIRFET™

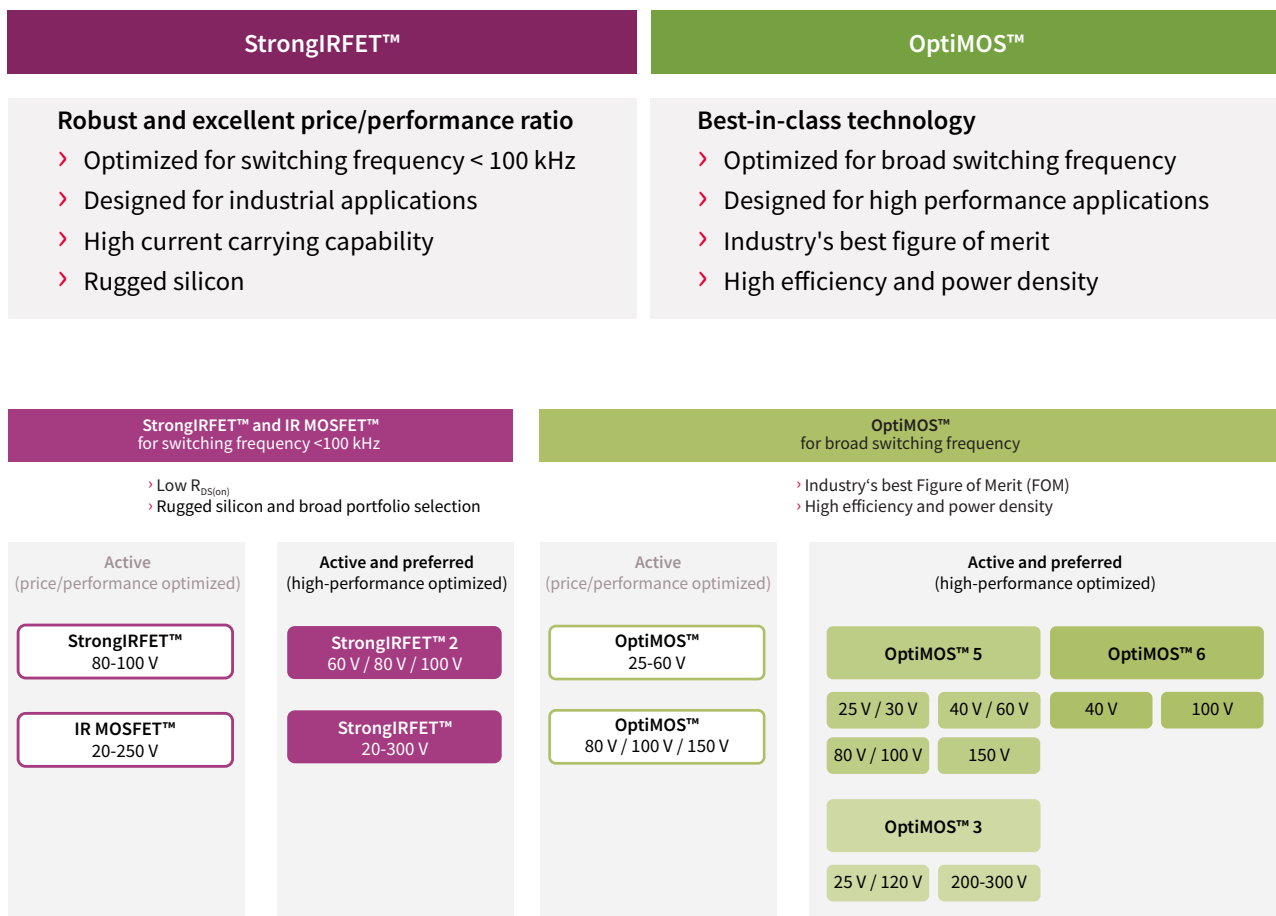
20-300 V N-channel power MOSFETs

Infiniteon's semiconductors are designed to bring greater efficiency, power density and cost-effectiveness. The full range of OptiMOS™ and StrongIRFET™ power MOSFETs enables innovation and performance in applications such as switch mode power supplies (SMPS), battery powered applications, motor control, drives, inverters, and computing.

Infiniteon's highly innovative OptiMOS™ and StrongIRFET™ families consistently meet the highest quality and performance demands in key specifications for power system designs such as on-state resistance ($R_{DS(on)}$) and figure of merit (FOM).

OptiMOS™ power MOSFETs provide best-in-class performance. Features include ultra low $R_{DS(on)}$, as well as low charge for high switching frequency applications. StrongIRFET™ power MOSFETs are designed for drives applications and are ideal for designs with a low switching frequency, as well as those that require a high current carrying capability.

Technology development and product family positioning





With more than 40 years of experience in power MOSFET innovation, Infineon offers a broad portfolio of products. The product portfolio is divided into “active and preferred”, referring to the latest technology available offering best-in-class performance, and “active”, consisting of well-established technologies which complete this broad portfolio.

StrongIRFET™ 2 power MOSFETs are the latest generation to be added to the family. Currently available in 80 and 100 V options with additional voltages to be released later this year, this family offers broad availability and excellent price/performance ratio and are suitable for a broad range of applications.

OptiMOS™ 6 power MOSFETs 40 V/100 V are the newest addition to the **OptiMOS™** product family. They are the perfect solution when best-in-class (BiC) products and high efficiency over a wide range of output power are required. For other voltage classes, from 25 V up to 150 V, **OptiMOS™ 5** represents the latest generation in the market, offering low conduction losses and high switching performance.

For high and low frequency applications **OptiMOS™ 3** power MOSFETs is our largest **OptiMOS™** family and complements our existing product portfolio as well as providing additional options when best-in-class is not required. **StrongIRFET™** is recommended for 20-300 V applications when the high performance is not essential and the cost is a more significant consideration.



Guidance for applications and voltage classes








OptiMOS™ and StrongIRFET™ portfolio, covering from 20 up to 300 V MOSFETs, can address a broad range of needs from low to high switching frequencies. The tables below provide a guidance on the recommended OptiMOS™ or StrongIRFET™ products for each major sub-application and voltage class.

Recommended voltage		20 V to 30 V	40 V	60 V	75 V to 80 V	100 V	120 V to 150 V	200 V	250 V	300 V	
Battery powered	Low power Power tools, Multi-copter, Battery, Industrial Drives	OptiMOS™	✓	✓	✓	✓					
		StrongIRFET™	✓	✓	✓	✓					
	High power (LEV, LSEV)	OptiMOS™			✓	✓	✓	✓	✓		
		StrongIRFET™			✓	✓	✓	✓	✓		
Inverters	Solar	OptiMOS™			✓	✓	✓	✓			
		StrongIRFET™			✓	✓	✓				
	Online UPS	slow switching									
		OptiMOS™	✓	✓	✓	✓	✓	✓	✓	✓	✓
		StrongIRFET™	✓	✓	✓	✓	✓	✓	✓	✓	✓
		fast switching									
		OptiMOS™	✓	✓	✓	✓	✓	✓	✓	✓	✓
		StrongIRFET™	✓	✓	✓	✓	✓	✓	✓	✓	✓
	Offline UPS	OptiMOS™		✓	✓						
		StrongIRFET™		✓	✓						
SMPS	Adapter / Charger	OptiMOS™		✓	✓	✓	✓				
		StrongIRFET™		✓	✓	✓	✓				
	PC Power	OptiMOS™		✓	✓						
		StrongIRFET™		✓	✓						
	LCD TV	OptiMOS™			✓	✓	✓				
		StrongIRFET™			✓	✓	✓				
	Server	OptiMOS™		✓	✓	✓					
		StrongIRFET™		✓	✓	✓					
	AC-DC	OptiMOS™				✓	✓	✓	✓		
		StrongIRFET™				✓	✓				
	Telecom	OptiMOS™	✓	✓	✓	✓	✓	✓			
		StrongIRFET™	✓	✓	✓	✓	✓				

StrongIRFET™ recommended
StrongIRFET™ available









OptiMOS™ recommended
OptiMOS™ available

Space-saving and high-performance packages

TO-247	TO-220	TO-220 FullPAK	D ² PAK	D ² PAK 7-pin	TO-Leadless	TOLT (Top-side cooling)	TOLG (Gullwing leads)
							

Optimized for high power applications and high current capability

Special features	-						Optimized for top-side cooling	Optimized for TCoB ¹⁾ robustness
Height [mm]	5.0	4.4	4.5	4.4	4.4	2.3	2.3	
Outline [mm]	40.15 x 15.9	29.5 x 10.0	29.5 x 10.0	15.0 x 10.0	15.0 x 10.0	11.7 x 9.9	15.0 x 9.9	
Thermal resistance R _{thJC} [K/W]	2.0	0.5	2.5	0.5	0.5	0.4	0.4	

sTOLL	SuperSO8	SuperSO8 super cool	Power Block	PQFN 3.3x3.3 Source-Down	PQFN 3.3x3.3	PQFN 2x2	DirectFET™
							

Optimized for high power in small form factor | For highest efficiency and power management | Optimized for dual side cooling | Significant design shrink | Highest power density per area | High efficiency in small form factor | Enables significant space saving | Best performing dual-side cooling package

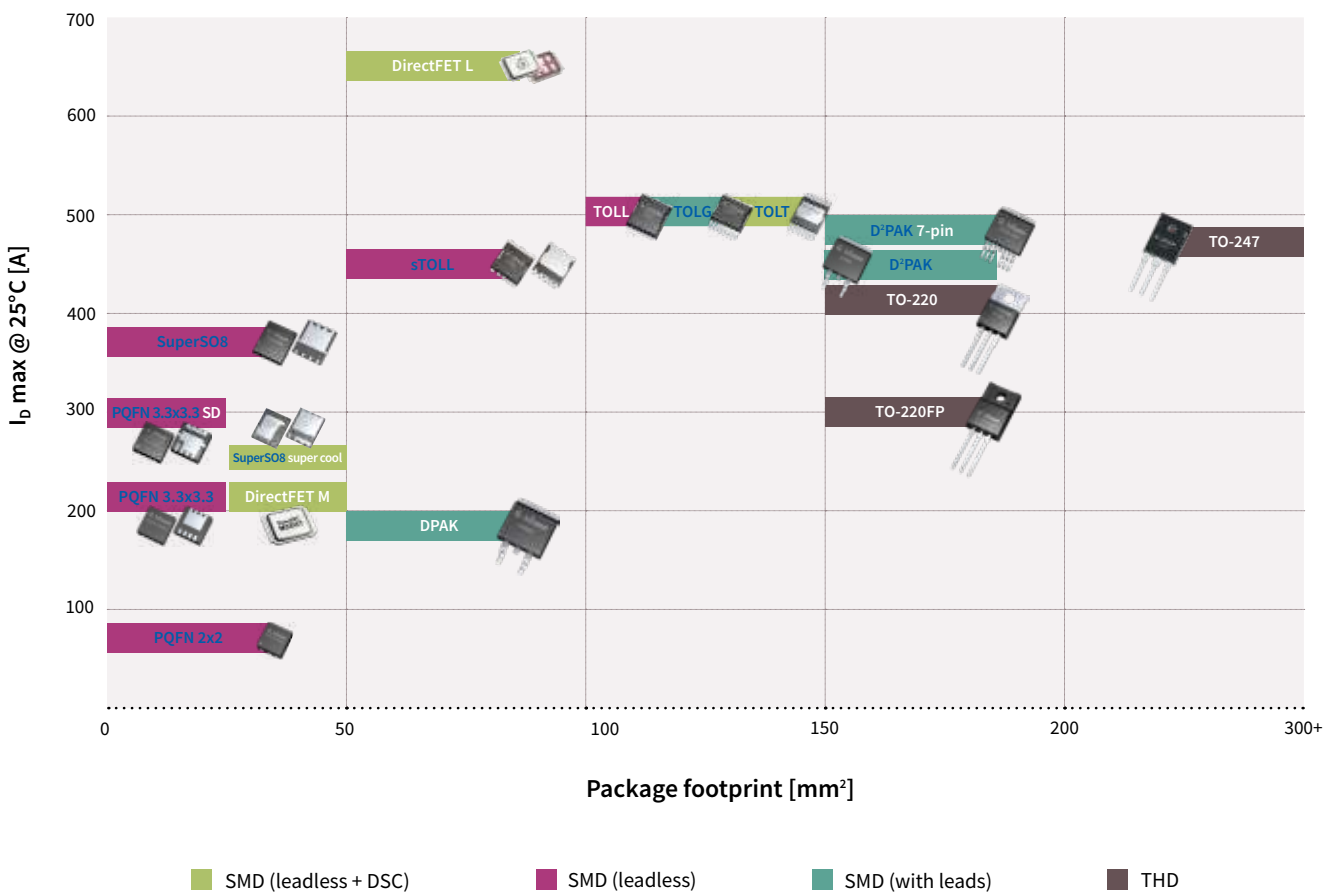
Height [mm]	2.3	1.0	0.75	1.0	1.0	1.0	0.9	Small: 0.65 Medium: 0.65 Large: 0.71
Outline [mm]	8.0 x 7.0	5.15x6.15	5.0 x 6.0	5.0 x 6.0	3.3 x 3.3	3.3 x 3.3	2.0 x 2.0	Small: 4.8 x 3.8 Medium: 6.3 x 4.9 Large: 9.1 x 6.98
Thermal resistance R _{thJC} [K/W]	0.6	0.8	0.5	1.5	1.4	3.2	11.1	0.5

Discrete packages

Infiniteon has been making an impact in the MOSFET industry with innovation in MOSFET manufacturing techniques and processes as well as pioneering new packages to meet the changing demands of cutting-edge designs in various applications. OptiMOS™ and StrongIRFET™ technologies are available in different packages to address demands for high current carrying capability and significant space saving. The broad portfolio enables footprint reduction, boosted current rating and optimized thermal performance. While the surface mount leadless devices are enabled for footprint reduction, through-hole packages are characterized by a high-power rating.

Infiniteon offers innovative packages such as DirectFET™ and TO-Leadless (TOLL). DirectFET™ is designed for high frequency applications by offering the lowest parasitic resistance. This package is available in three different can sizes: small, medium and large. TO-Leadless is optimized to dissipate power up to 375 W, increasing power density with a substantial reduction in footprint.

New package innovations include the SuperSO8 Source-Down package offering high power density and performance; the TOLG (Gullwing leads) optimized for TCoB (Thermal cycling on board) robustness; TOLT (top-side cooling) optimized for superior thermal performance; sTOLL optimized for high power in small form factor; and the SuperSO8 super cool optimized for dual-side cooling in a standard 5x6 mm² footprint.



Small-signal/small-power MOSFETs -250 to 600 V

Combining latest high-performance silicon technology with small and innovative packaging

Small-signal/small power products are ideally suited for space-constrained automotive and non-automotive applications. With an optimal price/performance ratio and small footprint packages, Infineon's small-signal and small-power MOSFETs are the best fit for a wide range of applications and circuits. These include low-voltage drives, linear battery charger, battery protection, load switches, DC-DC converters, reverse polarity protection and many more.

The entire family includes different packages:

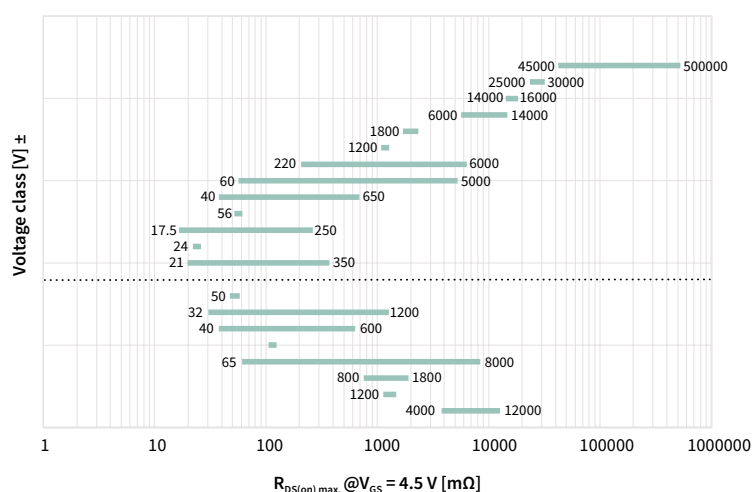
SOT-223, SOT-23, SOT-323, SOT-363, SOT-89, TSOP-6 and SC59

The product portfolio covers N-channel and P-channel enhancement mode MOSFETs as well as N-channel depletion mode products:

- > -250 V to -12 V P-channel enhancement mode (available in single and dual configurations)
- > 20 V to 600 V N-channel enhancement mode (available in single and dual configurations)
- > -20/+20 V and -30/+30 V complementary (P + N channel) enhancement mode
- > 60 V to 600 V N-channel depletion mode

Key features
> Products qualified to Automotive and Industrial standards
> Four $V_{GS(th)}$ classes available for 1.8 V, 2.5 V, 4.5 V, and 10 V gate drives
> ESD protected P-channel parts
> V_{DS} range from -250 V to 600 V
> RoHS compliant and halogen free

Key benefits
> Suitable for automotive and high quality demanding applications
> Easy interface to MCU
> Reduction of design complexity
> Wide selection of products available
> Environmentally friendly



Small-signal/small-power MOSFETs are available in seven industry-standard package types ranging from the largest SOT-223 to the smallest SOT-323.

Products are offered in single, dual and complementary configurations and are suitable for a wide range of applications, including battery protection, LED lighting, low-voltage drives and DC-DC converters.



www.infineon.com/smallsignal
www.infineon.com/smallpower




For more details on the product, click on the part number, visit infineon.com or contact our [product support](#).

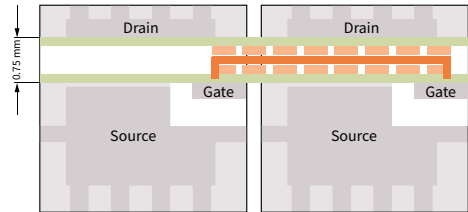


OptiMOS™ Source-Down power MOSFETs 25-150 V

An innovative PQFN 3.3 mm x 3.3 mm product family

Once again, Infineon is setting a new standard in MOSFET performance with the new **Source-Down** package to support the requirement for high power density and optimized system-level efficiency. In comparison with a normal Drain-Down device, in the **Source-Down** technology, the source potential is connected to the thermal pad. Optional Center-Gate footprint is also available. Here the gate pin is moved to the center supporting easy parallel configuration of multiple MOSFETs. With the larger drain-to-source creepage distance, it is possible to connect the gates of multiple devices on a single PCB layer.

	Standard Drain-Down	New Source-Down	
			
	PQFN 3.3x3.3 standard Drain-Down footprint	PQFN 3.3x3.3 Standard-Gate Source-Down footprint	PQFN 3.3x3.3 Center-Gate Source-Down footprint
R_{thJC} [C/W]	1.8	1.4	1.4



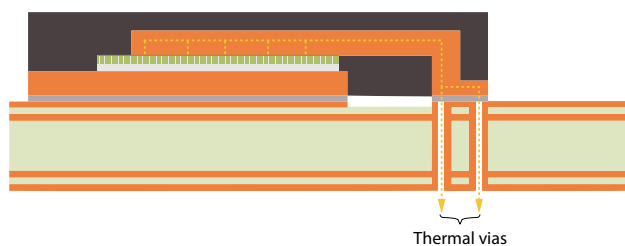
Features and benefits

Key features	Key benefits
<ul style="list-style-type: none"> > Major reduction in $R_{DS(ON)}$, up to 30% due to larger silicon die in same package outline > Improved R_{thJC} overcurrent PQFN package technology > High power density > Standard-Gate and Center-Gate footprint options 	<ul style="list-style-type: none"> > Enabling highest power density and performance > Superior thermal performance > Form factor reduction > Optimized layout possibilities > Simplifying parallel configuration of multiple MOSFETs with Center-Gate footprints

Optimized thermal management

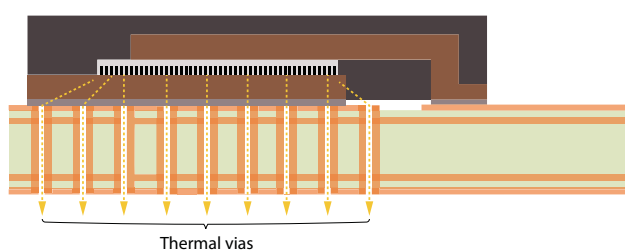
Drain-Down

PQFN 3.3x3.3



Source-Down

PQFN 3.3x3.3



In the **Source-Down** package technology, the heat is dissipated directly into the PCB through a thermal pad instead of over the bond wire or the copper clip. The package significantly improves the thermal resistance (R_{thJC}) of this product family. In most cases, thermal vias cannot be used on the thermal pad if it is connected to the noisy switch node potential. With **Source-Down**, the thermal pad of the low-side MOSFET is now on the ground potential enabling the use of thermal vias right underneath the device. This considerably improves the thermal performance and the power density in the end application.

www.infineon.com/PQFN-3-source-down



For more details on the product, click on the part number, visit infineon.com or contact our [product support](#).

OptiMOS™ 6 power MOSFETs 100 V

Next generation of cutting-edge MOSFETs

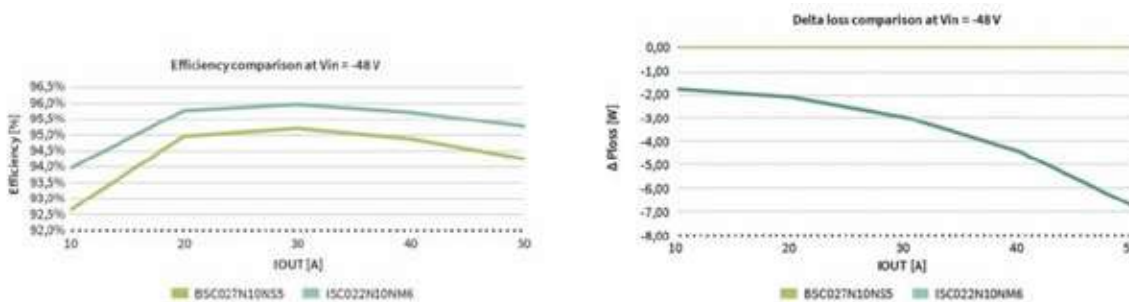
OptiMOS™ 6 100 V devices are setting a new technology standard in the field of discrete MOSFET devices. Compared to alternative products, Infineon's leading thin wafer technology enables significant performance benefits compared to OptiMOS™ 5:

- > $R_{DS(on)}$ reduced by 22%
- > Improved FOM $Q_g \times R_{DS(on)}$ by 37%
- > Improved FOM $Q_{gd} \times R_{DS(on)}$ by 38%

Infineon's OptiMOS™ 6 power MOSFET 100 V family offers an optimized solution for synchronous rectification in switched mode power supplies (SMPS) in servers, desktop PCs, wireless and quick chargers. The improved performance in on-state resistance ($R_{DS(on)}$) and figure of merits (FOM - $R_{DS(on)} \times Q_g$ and $Q_{gd} \times R_{DS(on)}$) yields an efficiency improvement, allowing easier thermal design and less paralleling, leading to system cost reduction. In addition, the best-in-class $R_{DS(on)}$ and high switching performance makes these devices suitable for Telecom applications.

Infineon's market-leading OptiMOS™ 6 power MOSFETs 100 V are available in two different packages:

- > SuperSO8 – 5x6 mm² with $R_{DS(on)}$ ranging from 23 mΩ down to 2.2 mΩ
- > PQFN 3x3 – 3.3 x 3.3 mm² with $R_{DS(on)}$ ranging from 23 mΩ down to 8 mΩ



Target applications include a ZVS inverting buck-boost (-36...60) V to 12 V DC-DC converter. In this topology, an active clamp circuit recovers, in a lossless way, Q_{rr} from the SR switch towards the output, while achieving zero-voltage switching for the control switch.

Best-in-class products in the newly released OptiMOS™ 6 technology (ISC022N10NM6) are compared to OptiMOS™ 5 (BSC027N10NS5) in SuperSO8 (PQFN 5x6) package in this application. The result is stunning: OptiMOS™ 6 in 2.2 mΩ achieves roughly 1% better efficiency across all the line and load conditions, compared to the 2.7 mΩ product in OptiMOS™ 5.

The improvement in efficiency is explainable as the joint contribution of the lower driving losses (thanks to approximately 20% lower (typ) Q_g), lower turn-off losses (due the lower Q_{gd} – an improvement just shy of 40%) and lower conduction losses with a 18% lower $R_{DS(on)}$. The improvement in efficiency lowers the total losses by 7 W, a remarkable improvement allowing easier thermal management and increased power density. ISC022N10NM6 represents the lowest $R_{DS(on)}$ available in the market for SuperSO8 (PQFN 5x6) package in 100 V.



www.infineon.com/optimos-6-100v

For more details on the product, click on the part number, visit infineon.com or contact our [product support](#).

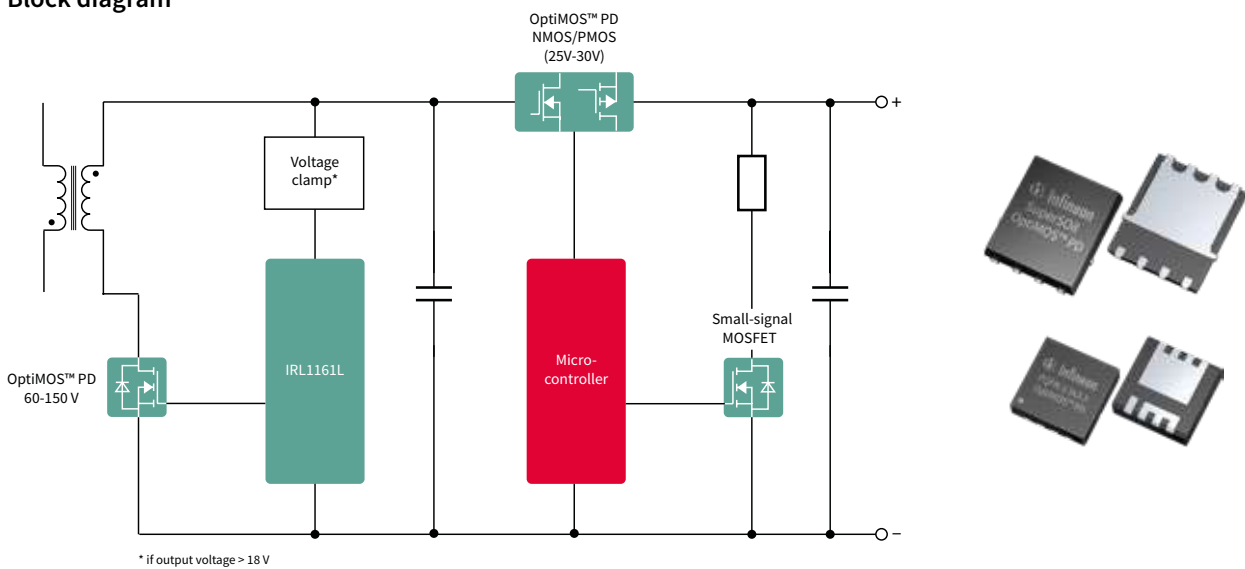


OptiMOS™ PD

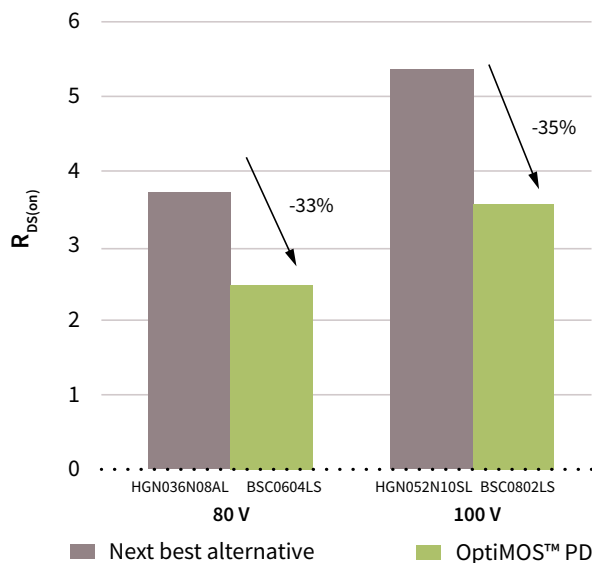
The best fit for USB-PD and fast charger designs

OptiMOS™ PD is Infineon's new MOSFET portfolio representing the best fit for USB-PD and fast charger designs and is available in 2 small standard packages: PQFN 3.3x3.3 and SuperS08. Logic level availability enables parts to be fully driven from 4.5 V or directly from microcontrollers resulting in a lower part count in the application. The portfolio ranges from 25 V up to 150 V MOSFETs where 25 V and 30 V products represent the fit as load switch and 60-150 V parts are the optimal choice to function as synchronous rectification FETs in charger and adapter designs.

Block diagram



OptiMOS™ PD comparison of $R_{DS(on)}$ in 80 V and 100 V



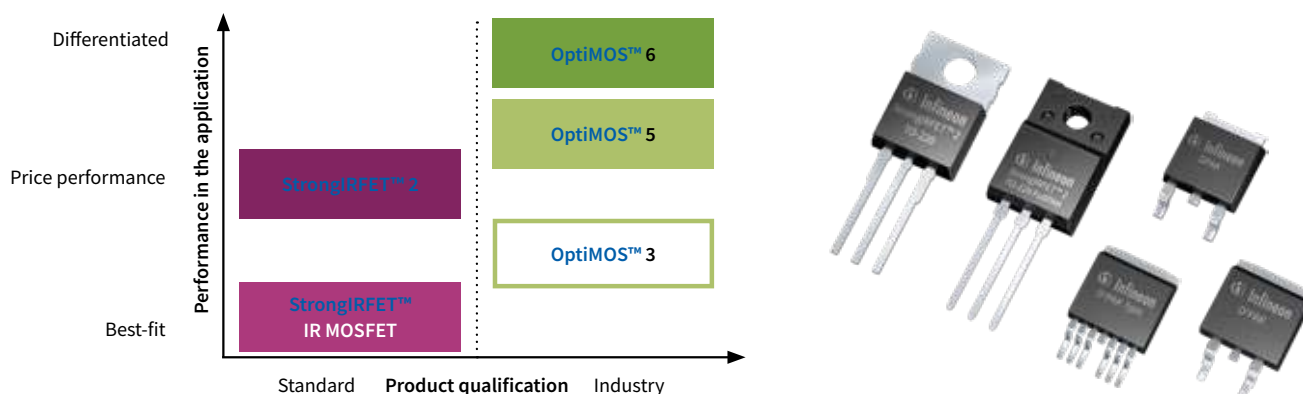
The OptiMOS™ PD family features MOSFETs offering a low on-state resistance ($R_{DS(on)}$), less switching losses as well as low gate-, output- and reverse-recovery charges. The reduction in overall losses results in an excellent price/performance ratio leading to a decrease in total system BOM cost.



StrongIRFET™ 2 MOSFETs – 40 V/60 V/80 V/100 V

Right-fit products for a broad range of applications

The new StrongIRFET™ 2 power MOSFETs are the latest generation of MOSFET technology addressing a wide range of applications such as adapters, motor drives, e-scooters, battery management systems, light electric vehicles, robotics, power and gardening tools. Featuring broad availability and excellent price/performance ratio, this new technology offers right-fit products with an easy choice for designers interested in convenient selection and purchasing. Optimized for both low- and high-switching frequencies, the family supports a broad range of applications enabling flexibility in design.

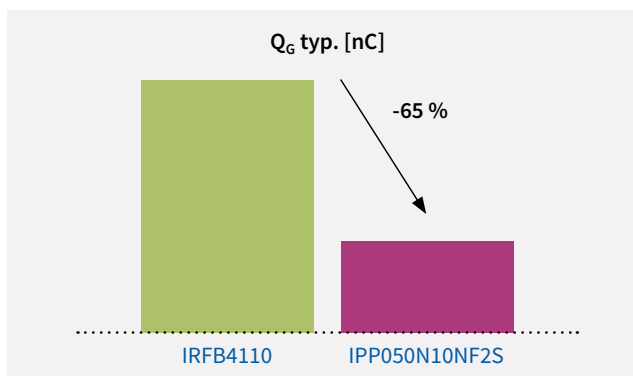
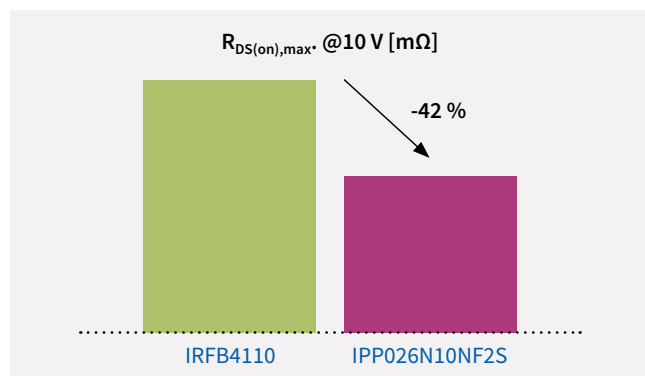


Features and benefits

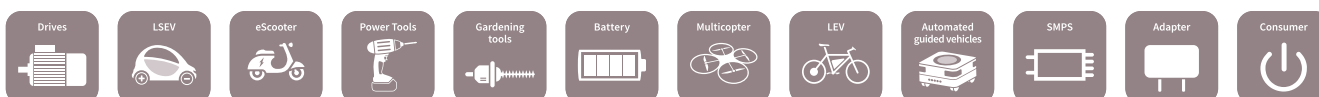
Key features
> Broad availability from distribution partners
> Excellent price/performance ratio
> Ideal for high and low switching frequency
> Industry standard footprint
> High current rating

Key benefits
> Increased security of supply
> Right-fit products
> Supports wide variety of applications
> Standard pin out allows for drop-in replacement
> Increased product ruggedness

StrongIRFET™ 2 vs. previous generation 100 V performance comparison



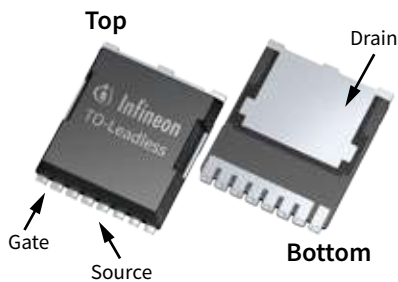
Compared to the previous StrongIRFET™ generation in 100 V TO-220 package, StrongIRFET™ 2 shows significant improvements such as ~40% lower R_{DS(on)} and ~65% reduced Q_g. This results in better efficiency and longer life time.



www.infineon.com/strongirfet2

For more details on the product, click on the part number, visit infineon.com or contact our [product support](#).

TOLx family

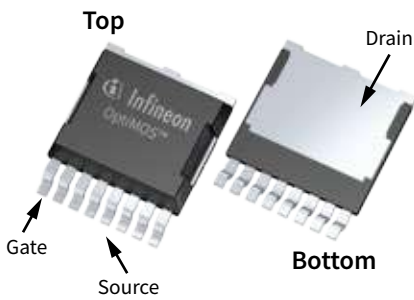


Optimized for
high power applications

TO-Leadless (TOLL)

TO-Leadless is optimized to handle currents up to 500 A, increasing power density with a substantial reduction in footprint. A footprint reduction of 30% compared to **D²PAK**, together with a height reduction of 50%, results in an overall space saving of 60% enabling much more compact designs.

Key features	Key benefits
<ul style="list-style-type: none"> Best-in-class technology High current rating > 500 A 60% space reduction compared to D²PAK 7-pin 	<ul style="list-style-type: none"> High performance capability High system reliability Optimized board utilization

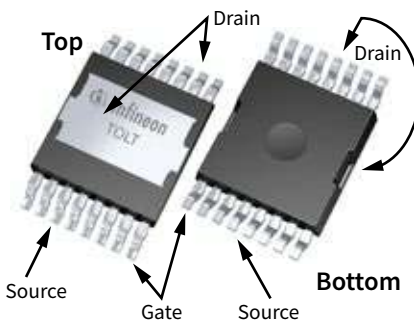


Optimized for
better TCoB robustness

TOLG (Gullwing leads)

TOLG package offers a compatible footprint to the **TO-Leadless** with the additional feature of Gullwing leads resulting in two times higher TCoB performances compared to **TO-Leadless**. This package is excellent on aluminum insulated metal substrate boards (Al-IMS).

Key features	Key benefits
<ul style="list-style-type: none"> Best-in-class technology High current rating > 450 A Low ringing and voltage overshoot 60% space reduction compared to D²PAK 7-pin Gullwing leads 	<ul style="list-style-type: none"> High performance capability High system reliability High efficiency and lower EMI Optimized board utilization High thermal cycling on board performance



Optimized for
superior thermal performance

TOLT (Top-side cooling)

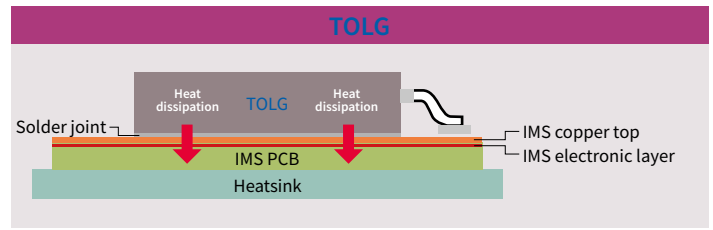
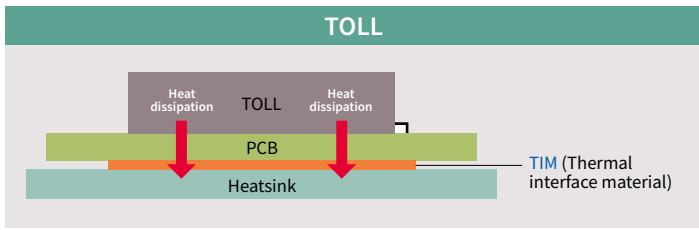
TOLT is the new top-side cooling package within the TOLx family. With top-side cooling, the drain is exposed at the surface of the package allowing for 95 percent of the heat to be dissipated directly to the heatsink, achieving 20 percent better R_{thJA} and 50 percent improved R_{thJC} compared to the TOLL package. With bottom-side cooling packages, like the TOLL or the **D²PAK**, the heat is dissipated via the PCB to the heatsink resulting in high power losses.

Key features	Key benefits
<ul style="list-style-type: none"> Low $R_{DS(on)}$ High current rating Top-side cooling Negative standoff 	<ul style="list-style-type: none"> Reduction in conduction losses Increased product ruggedness Superior thermal performance Minimize thermal resistance to heatsink

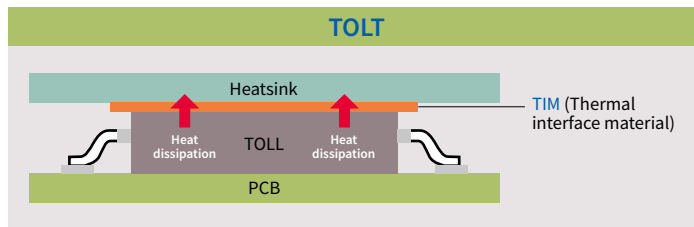
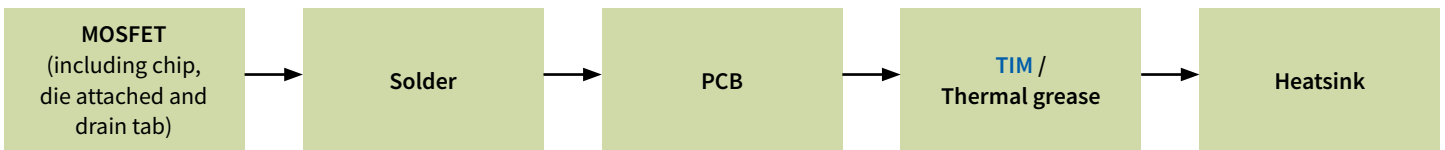
www.infineon.com/toll
www.infineon.com/tolg
www.infineon.com/tolt



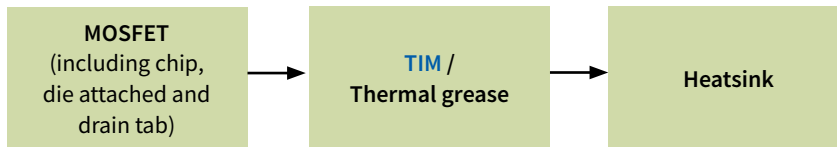
TOLx family – Cooling concept



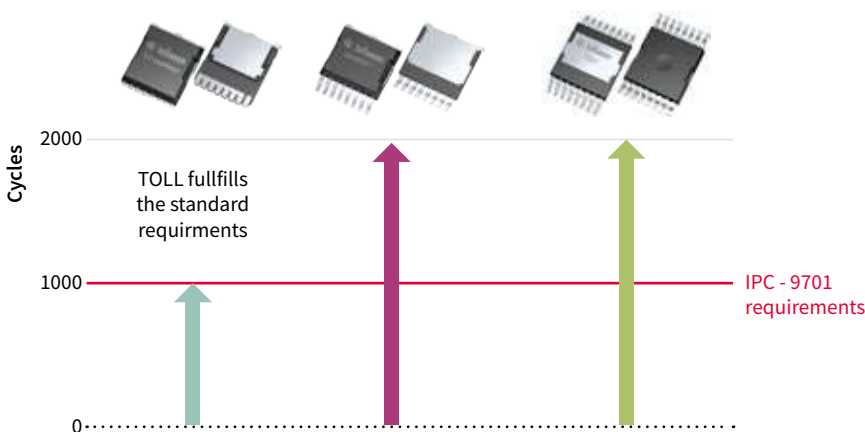
With TOLL / TOLG, board mounting, the heat is dissipated through the PCB to the heatsink. Due to the PCB thermal resistance, power losses occur.



With top-side cooling setup, the drain pad is exposed on the top of the package allowing the majority of the heat to be dissipated into the top-mounted heatsink. This pulls heat away from the PCB resulting in at least 20 percent better R_{thJA} compared to standard over-molded TOLL.



Thermal cycling on IMS board (TCoB) performance



www.infineon.com/optimos-tolg
www.infineon.com/optimos-tolt

For more details on the product, click on the part number, visit infineon.com or contact our [product support](#).

OptiMOS™ and StrongIRFET™ 20 V (super) logic level



$R_{DS(on),max}$ @ $V_{GS}=4.5$ V [mΩ]	TO-252 (DPAK)	PQFN 2x2	PQFN 3.3x3.3	SuperSO8
< 1				IRFH6200TRPBF ¹⁾ $R_{DS(on)}=0.99$ mΩ
2-4	IRLR6225TRPBF ¹⁾ $R_{DS(on)}=4.0$ mΩ		IRLHM620TRPBF ^{** 1)} $R_{DS(on)}=2.5$ mΩ	
4-10				IRLH6224TRPBF ¹⁾ $R_{DS(on)}=3.0$ mΩ
> 10		IRLHS6242TRPBF $R_{DS(on)}=11.7$ mΩ IRLHS6276TRPBF $R_{DS(on)}=45$ mΩ		

OptiMOS™ and StrongIRFET™ 25 V logic level



$R_{DS(on),max}$ @ $V_{GS}=10$ V [mΩ]	DirectFET™	PQFN 2x2	PQFN 3.3x3.3	SuperSO8	Source-Down PQFN 3.3x3.3
< 1				BSC004NE2LS5 $R_{DS(on)}=0.9$ mΩ	IQE006NE2LM5 $R_{DS(on)}=0.6$ mΩ
	IRF6717MTRPBF $R_{DS(on)}=0.95$ mΩ			BSC009NE2LS5 $R_{DS(on)}=0.9$ mΩ	IQE006NE2LM5CG $R_{DS(on)}=0.6$ mΩ
			BSZ009NE2LS5 $R_{DS(on)}=0.9$ mΩ	BSC009NE2LS $R_{DS(on)}=0.9$ mΩ	
1-2			BSZ010NE2LS5 $R_{DS(on)}=1.0$ mΩ	BSC009NE2LS5I* $R_{DS(on)}=0.95$ mΩ	
			BSZ011NE2LS5I $R_{DS(on)}=1.1$ mΩ	BSC010NE2LS $R_{DS(on)}=1.0$ mΩ	
				BSC010NE2LSI* $R_{DS(on)}=1.05$ mΩ	
				BSC014NE2LSI* $R_{DS(on)}=1.4$ mΩ	
			BSZ013NE2LS5I* $R_{DS(on)}=1.3$ mΩ	IRFH5250D** $R_{DS(on)}=1.4$ mΩ	
			BSZ014NE2LS5IF** $R_{DS(on)}=1.45$ mΩ	BSC015NE2LS5I* $R_{DS(on)}=1.5$ mΩ	
			BSZ017NE2LS5I* $R_{DS(on)}=1.7$ mΩ	BSC018NE2LS $R_{DS(on)}=1.8$ mΩ	
	IRF6797MTRPBF* $R_{DS(on)}=1.1$ mΩ		BSZ018NE2LS $R_{DS(on)}=1.8$ mΩ	BSC018NE2LSI* $R_{DS(on)}=1.8$ mΩ	
	IRF6715MTRPBF $R_{DS(on)}=1.3$ mΩ		BSZ018NE2LSI* $R_{DS(on)}=1.8$ mΩ		
	IRF6795MTRPBF* $R_{DS(on)}=1.4$ mΩ				
IRF6714MTRPBF $R_{DS(on)}=1.6$ mΩ					
2-4		ISK024NE2LM5 $R_{DS(on)}=2.4$ mΩ	BSZ031NE2LS5 $R_{DS(on)}=3.1$ mΩ	BSC024NE2LS $R_{DS(on)}=2.4$ mΩ	
			BSZ033NE2LS5 $R_{DS(on)}=3.3$ mΩ	BSC026NE2LS5 $R_{DS(on)}=2.6$ mΩ	
			BSZ036NE2LS $R_{DS(on)}=3.6$ mΩ	BSC032NE2LS $R_{DS(on)}=3.2$ mΩ	
	IRF6712STRPBF $R_{DS(on)}=3.8$ mΩ				
4-10			BSZ060NE2LS $R_{DS(on)}=6.0$ mΩ	BSC050NE2LS $R_{DS(on)}=5.0$ mΩ	
> 10		IRFHS8242 $R_{DS(on)}=13$ mΩ			

www.infineon.com/powermosfet-12V-300V

* Optimized for resonant applications (e.g. LLC converter)

** Monolithically-integrated Schottky-like diode

*** $R_{DS(on),max}$ @ $V_{GS}=4.5$ V

1) 2.5 V_{GS} capable

For more details on the product, click on the part number, visit infineon.com or contact our [product support](#).



OptiMOS™ and StrongIRFET™ 25 V in Power Block 5x6



Part number	Package	Monolithically-integrated Schottky-like diode	BV _{DSS} [V]	R _{DS(on),max.} [mΩ] @ V _{GS} =4.5 V max.		Q _g [nC] @ V _{GS} =4.5 V typ.	
				High-side	Low-side	High-side	Low-side
BSG0810NDI	SuperSO8	✓	25	4.0	1.2	5.6	16.0
BSG0811ND	SuperSO8	-	25	4.0	1.1	5.6	20.0
BSG0813NDI	SuperSO8	✓	25	4.0	1.7	5.6	12.0

OptiMOS™ 25/30 V symmetrical and asymmetrical dual N-Channel MOSFETs in 5x6 and 3x3 PQFN

Integrates the low-side and high-side MOSFET of a synchronous DC-DC converter into a single package. The small outline and the interconnection of the two MOSFETs within the package minimize the loop inductance which boosts efficiency.

Part number	Package	Monolithically-integrated Schottky-like diode	BV _{DSS} [V]	R _{DS(on),max.} [mΩ] @ V _{GS} =4.5 V max.		Q _g [nC] @ V _{GS} =4.5 V typ.	
				High-side	Low-side	High-side	Low-side
BSC0910NDI*	asymmetrical dual 5x6	✓	25	5.9	1.6	7.7	25
BSC0911ND*	asymmetrical dual 5x6	-	25	4.8	1.7	7.7	25
BSC0921NDI*	asymmetrical dual 5x6	✓	30	7	2.1	5.8	21
BSC0923NDI*	asymmetrical dual 5x6	✓	30	7	3.7	5.2	12.2
BSC0924NDI*	asymmetrical dual 5x6	✓	30	7	5.2	5.2	8.6
BSC0925ND*	symmetrical dual 5x6	-	30	6.4	6.4	5.2	6.7
BSC0993ND*	symmetrical dual 5x6	-	30	7	7	5.4	6.7

OptiMOS™ / StrongIRFET™ 30 V - 100 V dual N-Channel MOSFETs

Integrates two independent N-channel MOSFETs into a single package for high power density and compact design. Ideal for DC motors with power rating < 200 W

Part number	Package	Monolithically integrated Schottky like diode	BV _{DSS} [V]	R _{DS(on),max.} [mΩ] @ V _{GS} =10 V max.		Q _g [nC] @ V _{GS} =10 V typ.	
				High-side	Low-side	High-side	Low-side
IRL6297SDTRPBF*	symmetrical dual DirectFET™	-	20	3.8**	3.8**	54	54
IRLHS6276*	symmetrical dual PQFN 2x2	-	20	45**	45**	3.1**	3.1**
IRF7907*	asymmetrical dual SO8	-	30	16.4	11.8	6.7**	14**
IRF7905TRPBF*	asymmetrical dual SO8	-	30	21.8	17.1	4.6**	6.9**
IRLHS6376TRPBF*	symmetrical dual PQFN 2x2	-	30	63**	63**	2.8**	2.8**
IRF40H233	symmetrical dual 5x6	-	40	6.2	6.2	45	45
BSC072N04LD*	symmetrical dual 5x6	-	40	7.2	7.2	39	39
BSC076N04ND	symmetrical dual 5x6	-	40	7.6	7.6	28	28
BSC112N06LD*	symmetrical dual 5x6	-	60	11.2	11.2	41	41
BSC155N06ND	symmetrical dual 5x6	-	60	15.5	15.5	21	21
IRF7351	symmetrical dual SO8	-	60	17.8	17.8	24	24
BSO615NG	symmetrical dual SO8	-	60	150	150	14	14
IRFHM792	symmetrical dual PQFN 3 x 3	-	100	195	195	4.2	4.2

Dual N-channel audio MOSFETs

Digital audio MOSFET half-bridges are specifically designed for class D audio amplifier applications. They consist of two power MOSFET switches connected in half-bridge configuration.

Part number	Package	Monolithically-integrated Schottky like diode	BV _{DSS} [V]	R _{DS(on),max.} [mΩ] @ V _{GS} =4.5 V max.		Q _g [nC] @ V _{GS} =4.5 V typ.	
				High-side	Low-side	High-side	Low-side
IRFI4212H-117P	half-bridge in TO220FP	-	100	72.5	72.5	12	12
IRFI4019H-117P	half-bridge in TO220FP	-	150	95	95	13	13
IRFI4020H-117P	half-bridge in TO220FP	-	200	100	100	19	19

www.infineon.com/powermosfet-12V-300V

* Logic level (capable of 4.5 V gate drive)
** R_{DS(on)} at V_{GS}=4.5V

For more details on the product, click on the part number, visit infineon.com or contact our [product support](#).



OptiMOS™ and StrongIRFET™ 30 V logic level



$R_{DS(on), max.}$ @ $V_{GS}=10\text{ V}$ [mΩ]	TO-252 (DPAK)	TO-220
1-2		IRLB3813PBF $R_{DS(on)}=1.95\text{ m}\Omega$
2-4	IRFR8314TRPBF $R_{DS(on)}=2.2\text{ m}\Omega$	IRLB8314PBF $R_{DS(on)}=2.4\text{ m}\Omega$
	IRLR8743TRPBF $R_{DS(on)}=3.1\text{ m}\Omega$	
4-10		IRLB8743PBF $R_{DS(on)}=3.2\text{ m}\Omega$
	IRLR8726TRPBF $R_{DS(on)}=5.8\text{ m}\Omega$	IRLB8748PBF $R_{DS(on)}=4.8\text{ m}\Omega$
	IRLR8729TRPBF $R_{DS(on)}=8.9\text{ m}\Omega$	IRLB8721PBF $R_{DS(on)}=8.7\text{ m}\Omega$

OptiMOS™ and StrongIRFET™ 30 V logic level



$R_{DS(on), max.}$ @ $V_{GS}=10\text{ V}$ [mΩ]	DirectFET™	PQFN 3.3 x 3.3 Source-Down	PQFN 3.3 x 3.3	SuperSO8
< 1		IQE008N03LM5 $R_{DS(on)}=0.85\text{ m}\Omega$		BSC005N03L55 $R_{DS(on)}=0.5\text{ m}\Omega$
		IQE008N03LM5CG $R_{DS(on)}=0.85\text{ m}\Omega$		BSC005N03L55I* $R_{DS(on)}=0.5\text{ m}\Omega$
1-2				ISC011N03L55 $R_{DS(on)}=1.1\text{ m}\Omega$
				IRFH8303TRPBF $R_{DS(on)}=1.1\text{ m}\Omega$
				BSC011N03L5 $R_{DS(on)}=1.1\text{ m}\Omega$
				BSC011N03L5I* $R_{DS(on)}=1.1\text{ m}\Omega$
		IRF8301MTRPBF $R_{DS(on)}=1.3\text{ m}\Omega$		IRFH8307TRPBF $R_{DS(on)}=1.3\text{ m}\Omega$
		IRF6726MTRPBF $R_{DS(on)}=1.3\text{ m}\Omega$		BSC0500NSI* $R_{DS(on)}=1.3\text{ m}\Omega$
		IRF6727MTRPBF $R_{DS(on)}=1.22\text{ m}\Omega$		BSZ019N03L5 $R_{DS(on)}=1.9\text{ m}\Omega$
		IRF8302MTRPBF* $R_{DS(on)}=1.4\text{ m}\Omega$		ISZ019N03L55 $R_{DS(on)}=1.9\text{ m}\Omega$
			BSZ0901NS $R_{DS(on)}=2.0\text{ m}\Omega$	ISC019N03L55 $R_{DS(on)}=1.9\text{ m}\Omega$
			BSZ0501NSI* $R_{DS(on)}=2.0\text{ m}\Omega$	BSC0901NS $R_{DS(on)}=1.9\text{ m}\Omega$
2-4				BSC0501NSI** $R_{DS(on)}=1.9\text{ m}\Omega$
				BSC0901NSI** $R_{DS(on)}=2.0\text{ m}\Omega$
				ISC026N03L55 $R_{DS(on)}=2.6\text{ m}\Omega$
				ISC037N03L5IS $R_{DS(on)}=3.7\text{ m}\Omega$
4-10			ISZ040N03L5IS $R_{DS(on)}=4.0\text{ m}\Omega$	ISC045N03L55 $R_{DS(on)}=4.5\text{ m}\Omega$
			ISZ065N03L55 $R_{DS(on)}=6.5\text{ m}\Omega$	

www.infineon.com/powermosfet-12V-300V

*Monolithically-integrated Schottky-like diode
**For more information on the product, contact our product support

For more details on the product, click on the part number, visit infineon.com or contact our [product support](#).



OptiMOS™ and StrongIRFET™ 30 V logic level



$R_{DS(on), max.}$ @ $V_{GS}=10\text{ V}$ [mΩ]	DirectFET™	PQFN 3.3x3.3	SuperSO8	SO8	PQFN 2x2
2-4	IRF8304MTRPBF $R_{DS(on)}=1.7\text{ m}\Omega$	BSZ0901NSI** $R_{DS(on)}=2.1\text{ m}\Omega$	IRFH8311TRPBF $R_{DS(on)}=2.1\text{ m}\Omega$		ISK036N03LM5 $R_{DS(on)}=3.6\text{ m}\Omega$
			IRFH5302TRPBF $R_{DS(on)}=2.1\text{ m}\Omega$		
	IRF6724MTRPBF $R_{DS(on)}=1.9\text{ m}\Omega$		BSC0502NSI* $R_{DS(on)}=2.4\text{ m}\Omega$		
		BSZ0902NS $R_{DS(on)}=2.6\text{ m}\Omega$			
			BSC0902NS $R_{DS(on)}=2.6\text{ m}\Omega$		
		BSZ0902NSI* $R_{DS(on)}=2.8\text{ m}\Omega$	BSC0902NSI* $R_{DS(on)}=2.8\text{ m}\Omega$	IRF8788TRPBF $R_{DS(on)}=2.8\text{ m}\Omega$	
		BSZ0502NSI* $R_{DS(on)}=2.8\text{ m}\Omega$			
		BSZ0503NSI* $R_{DS(on)}=3.4\text{ m}\Omega$	IRFH8318TRPBF $R_{DS(on)}=3.1\text{ m}\Omega$		
		IRLHM630** $R_{DS(on)}=3.5\text{ m}\Omega$	BSC0503NSI* $R_{DS(on)}=3.2\text{ m}\Omega$	IRF7862TRPBF $R_{DS(on)}=3.3\text{ m}\Omega$	
		IRFHM830 $R_{DS(on)}=3.8\text{ m}\Omega$	BSC0504NSI* $R_{DS(on)}=3.7\text{ m}\Omega$		
4-10		BSZ0904NSI** $R_{DS(on)}=4.0\text{ m}\Omega$	BSC0904NSI* $R_{DS(on)}=3.7\text{ m}\Omega$		
	IRF6722MTRPBF $R_{DS(on)}=7.7\text{ m}\Omega$		IRFH8324TRPBF $R_{DS(on)}=4.1\text{ m}\Omega$		
		BSZ0506NS $R_{DS(on)}=4.4\text{ m}\Omega$			
		BSZ0589NS $R_{DS(on)}=4.4\text{ m}\Omega$	BSC0906NS $R_{DS(on)}=4.5\text{ m}\Omega$		
			IRFH5304TRPBF $R_{DS(on)}=4.5\text{ m}\Omega$		
			IRFH8325TRPBF $R_{DS(on)}=5.0\text{ m}\Omega$		
			BSC052N03LS $R_{DS(on)}=5.2\text{ m}\Omega$		
		BSZ065N03LS $R_{DS(on)}=6.5\text{ m}\Omega$			
			IRFH8330TRPBF $R_{DS(on)}=6.6\text{ m}\Omega$		
		BSZ0994NS $R_{DS(on)}=7.0\text{ m}\Omega$			
		IRFH8334TRPBF $R_{DS(on)}=9.0\text{ m}\Omega$			
				IRFHS8342 $R_{DS(on)}=16\text{ m}\Omega$	

www.infineon.com/powermosfet-12V-300V

** Monolithically-integrated Schottky-like diode
 *** $R_{DS(on), max.}$ @ $V_{GS}=4.5\text{ V}$
 **** For more information on the product, contact our product support

1) 2.5 V_{GS} capable

For more details on the product, click on the part number, visit infineon.com or contact our [product support](#).





OptiMOS™ and StrongIRFET™ 40 V normal level

$R_{DS(on), max.}$ @ $V_{GS}=10\text{ V}$ [mΩ]	TO-252 (DPAK)	TO-263 (D ² PAK)	TO-263 (D ² PAK 7-pin)	TO-220	TO-247	DirectFET™	sTOLL	SuperSO8	TO-220 FullPAK
<1			IRF40SC240 $R_{DS(on)}=0.65\text{ m}\Omega$					IST006N04NM6 $R_{DS(on)}=0.6\text{ m}\Omega$	ISC007N04NM6 $R_{DS(on)}=0.7\text{ m}\Omega$
			IRFS7430TRL7PP $R_{DS(on)}=0.75\text{ m}\Omega$					IST007N04NM6 $R_{DS(on)}=0.7\text{ m}\Omega$	ISCO10N04NM6 $R_{DS(on)}=1.0\text{ m}\Omega$
1-2		IRFS7430TRLPBF $R_{DS(on)}=1.3\text{ m}\Omega$	IRFS7434TRL7PP $R_{DS(on)}=1.0\text{ m}\Omega$	IRFB7430PBF $R_{DS(on)}=1.3\text{ m}\Omega$	IRFP7430PBF $R_{DS(on)}=1.3\text{ m}\Omega$			ISC012N04NM6 $R_{DS(on)}=1.2\text{ m}\Omega$	
						IRF7739L1TRPBF $R_{DS(on)}=1.0\text{ m}\Omega$		IRFH7084TRPBF $R_{DS(on)}=1.25\text{ m}\Omega$	
		IRFS3004TRLPBF $R_{DS(on)}=1.75\text{ m}\Omega$	IRFS3004-7P $R_{DS(on)}=1.25\text{ m}\Omega$	IRFB7434PBF $R_{DS(on)}=1.6\text{ m}\Omega$			IRF7480MTRPBF $R_{DS(on)}=1.2\text{ m}\Omega$		IRFH7004TRPBF $R_{DS(on)}=1.4\text{ m}\Omega$
		IRFS7434TRLPBF $R_{DS(on)}=1.6\text{ m}\Omega$	IRFS7437TRL7PP $R_{DS(on)}=1.4\text{ m}\Omega$	IRFB3004PBF $R_{DS(on)}=1.75\text{ m}\Omega$			IRF7946TRPBF $R_{DS(on)}=1.4\text{ m}\Omega$		ISCO15N04NM5 $R_{DS(on)}=1.5\text{ m}\Omega$
		IRFS7437TRLPBF $R_{DS(on)}=1.8\text{ m}\Omega$		IRFB7437PBF $R_{DS(on)}=2.0\text{ m}\Omega$					ISCO17N04NM5 $R_{DS(on)}=1.7\text{ m}\Omega$
							IRF40DM229 $R_{DS(on)}=1.85\text{ m}\Omega$		IRF40H210 $R_{DS(on)}=1.7\text{ m}\Omega$
2-4	IRFR7440TRPBF $R_{DS(on)}=2.4\text{ m}\Omega$	IRFS7440TRLPBF $R_{DS(on)}=2.5\text{ m}\Omega$				IRF7483MTRPBF $R_{DS(on)}=2.3\text{ m}\Omega$		IRFH7440TRPBF $R_{DS(on)}=2.4\text{ m}\Omega$	IPA028N04NM3S $R_{DS(on)}=2.8\text{ m}\Omega$
	IRFR7446TRPBF $R_{DS(on)}=3.9\text{ m}\Omega$	IRF1404S $R_{DS(on)}=4.0\text{ m}\Omega$		IRFB7440PBF $R_{DS(on)}=2.5\text{ m}\Omega$				IRFH5004TRPBF $R_{DS(on)}=2.6\text{ m}\Omega$	
				IRFB7446PBF $R_{DS(on)}=3.3\text{ m}\Omega$				ISCO28N04NM5 $R_{DS(on)}=2.8\text{ m}\Omega$	
								IRFH7446TRPBF $R_{DS(on)}=3.3\text{ m}\Omega$	
4-10								ISCO36N04NM5 $R_{DS(on)}=3.6\text{ m}\Omega$	
	IRF40R207 $R_{DS(on)}=5.1\text{ m}\Omega$			IRF40B207 $R_{DS(on)}=4.5\text{ m}\Omega$				ISCO46N04NM5 $R_{DS(on)}=4.6\text{ m}\Omega$	
								ISCO58N04NM5 $R_{DS(on)}=5.8\text{ m}\Omega$	





OptiMOS™ and StrongIRFET™ 40 V logic level

$R_{DS(on), max.}$ @ $V_{GS}=10\text{ V}$ [mΩ]	TO-252 (DPAK)	TO-263 (D ² PAK)	TO-263 (D ² PAK 7-pin)	TO-220	TO-247	DirectFET™	PQFN 3.3x3.3	SuperSO8
<1			IRL40SC228 $R_{DS(on)}=0.65\text{ m}\Omega$			IRL7472L1TRPBF $R_{DS(on)}=0.45\text{ m}\Omega$		BSC007N04LS6 $R_{DS(on)}=0.7\text{ m}\Omega$
			IRL40SC209 $R_{DS(on)}=0.8\text{ m}\Omega$			IRL40DM247 $R_{DS(on)}=1.0\text{ m}\Omega$		
1-2				IRL40B209 $R_{DS(on)}=1.25\text{ m}\Omega$				BSC010N04LS $R_{DS(on)}=1.0\text{ m}\Omega$
		IRLS3034TRLPBF $R_{DS(on)}=1.7\text{ m}\Omega$	IRLS3034TRL7P $R_{DS(on)}=1.4\text{ m}\Omega$	IRLB3034PBF $R_{DS(on)}=1.7\text{ m}\Omega$	IRLP3034PBF $R_{DS(on)}=1.7\text{ m}\Omega$	IRL7486MTRPBF $R_{DS(on)}=1.4\text{ m}\Omega$		BSC010N04LS6 $R_{DS(on)}=1.0\text{ m}\Omega$
		IRL40S212 $R_{DS(on)}=1.9\text{ m}\Omega$		IRL40B212 $R_{DS(on)}=1.9\text{ m}\Omega$				BSC010N04LST $R_{DS(on)}=1.0\text{ m}\Omega$
								BSC010N04LSI $R_{DS(on)}=1.05\text{ m}\Omega$
								BSC010N04LSC* $R_{DS(on)}=1.05\text{ m}\Omega$
								ISC012N04LM6 $R_{DS(on)}=1.2\text{ m}\Omega$
								BSC014N04LST $R_{DS(on)}=1.4\text{ m}\Omega$
								BSC014N04LST $R_{DS(on)}=1.4\text{ m}\Omega$
								BSC014N04LS $R_{DS(on)}=1.4\text{ m}\Omega$
							BSZ018N04LS6 $R_{DS(on)}=1.8\text{ m}\Omega$	BSC014N04LSI $R_{DS(on)}=1.45\text{ m}\Omega$
								BSC019N04LS $R_{DS(on)}=1.9\text{ m}\Omega$
2-4				IRL40B215 $R_{DS(on)}=2.7\text{ m}\Omega$		IRF6613TRPBF $R_{DS(on)}=3.4\text{ m}\Omega$	BSZ021N04LS6 $R_{DS(on)}=2.1\text{ m}\Omega$	BSC022N04LS $R_{DS(on)}=2.2\text{ m}\Omega$
							BSZ024N04LS6 $R_{DS(on)}=2.4\text{ m}\Omega$	BSC022N04LS6 $R_{DS(on)}=2.2\text{ m}\Omega$
								IRLH5034TRPBF $R_{DS(on)}=2.4\text{ m}\Omega$
							BSZ025N04LS $R_{DS(on)}=2.5\text{ m}\Omega$	BSC026N04LS $R_{DS(on)}=2.6\text{ m}\Omega$
							BSZ028N04LS $R_{DS(on)}=2.8\text{ m}\Omega$	
							BSZ034N04LS $R_{DS(on)}=3.4\text{ m}\Omega$	BSC032N04LS $R_{DS(on)}=3.2\text{ m}\Omega$
		IPD036N04L G $R_{DS(on)}=3.6\text{ m}\Omega$						
4-10	IRLR3114ZTRPBF $R_{DS(on)}=4.5\text{ m}\Omega$					IRF6616TRPBF $R_{DS(on)}=5.0\text{ m}\Omega$		
						IRF6614TRPBF $R_{DS(on)}=8.3\text{ m}\Omega$	BSZ063N04LS6 $R_{DS(on)}=6.3\text{ m}\Omega$	
								BSC059N04LS6 $R_{DS(on)}=5.9\text{ m}\Omega$

Solutions and Applications
20-300 V MOSFETs
500-950 V MOSFETs
Gate-driver ICs
Digital isolators
IGBT discretes and silicon power diodes
Intelligent power switches and modules
Microcontrollers
Power management ICs
WBG semiconductors
Sensors
Packages





OptiMOS™ and StrongIRFET™ 60 V normal level

$R_{DS(on), max.}$ @ $V_{GS}=10\text{ V}$ [mΩ]	TO-252 (DPAK)	TO-263 (D ² PAK)	TO-263 (D ² PAK 7-pin)	TO-262 (I ² PAK)	TO-220	TO-220 FullPAK	TO-247	SuperSO8 super cool
1-2			IPB010N06N ¹⁾ $R_{DS(on)}=1.0\text{ m}\Omega$					
			IRF60C241 $R_{DS(on)}=1.3\text{ m}\Omega$					
			IRFS7530TRL7PP $R_{DS(on)}=1.4\text{ m}\Omega$		IPP014N06NF2S $R_{DS(on)}=1.4\text{ m}\Omega$			BSC014N06NSSC $R_{DS(on)}=1.4\text{ m}\Omega$
			IPB014N06N ¹⁾ $R_{DS(on)}=1.4\text{ m}\Omega$		IPP016N06NF2S $R_{DS(on)}=1.6\text{ m}\Omega$			BSC016N06NSSC $R_{DS(on)}=1.6\text{ m}\Omega$
			IRFS7534TRL7PP ¹⁾ $R_{DS(on)}=1.95\text{ m}\Omega$		IPP019N06NF2S $R_{DS(on)}=1.9\text{ m}\Omega$			
		IRFS7530TRL7PP $R_{DS(on)}=2.0\text{ m}\Omega$			IRFB7530PBF $R_{DS(on)}=2.0\text{ m}\Omega$	IPP020N06N ¹⁾ $R_{DS(on)}=2.0\text{ m}\Omega$		IRFP7530PBF $R_{DS(on)}=2.0\text{ m}\Omega$
2-4	IPD025N06N ¹⁾ $R_{DS(on)}=2.5\text{ m}\Omega$	IRFS7534TRL7PP $R_{DS(on)}=2.4\text{ m}\Omega$	IRFS3006TRL7PP $R_{DS(on)}=2.1\text{ m}\Omega$		IRFB7534PBF $R_{DS(on)}=2.4\text{ m}\Omega$			BSC028N06NSSC $R_{DS(on)}=2.8\text{ m}\Omega$
		IRFS3006 $R_{DS(on)}=2.5\text{ m}\Omega$			IRFB3006PBF $R_{DS(on)}=2.5\text{ m}\Omega$			
		IPB026N06N ¹⁾ $R_{DS(on)}=2.6\text{ m}\Omega$			IPP029N06N ¹⁾ $R_{DS(on)}=2.9\text{ m}\Omega$		IRFP3006PBF $R_{DS(on)}=2.5\text{ m}\Omega$	
				IPD029N06N ¹⁾ $R_{DS(on)}=2.9\text{ m}\Omega$	IRFB3206BF $R_{DS(on)}=3.0\text{ m}\Omega$	IPA029N06N ¹⁾ $R_{DS(on)}=2.9\text{ m}\Omega$	IRFP3206PBF $R_{DS(on)}=3.0\text{ m}\Omega$	
					IPP030N06NF2S $R_{DS(on)}=3.05\text{ m}\Omega$	IPA029N06NM5S $R_{DS(on)}=2.9\text{ m}\Omega$		
	IPD033N06N ¹⁾ $R_{DS(on)}=3.3\text{ m}\Omega$	IRFS3206 $R_{DS(on)}=3.0\text{ m}\Omega$			IRFB7537PBF $R_{DS(on)}=3.3\text{ m}\Omega$			
	IRFS7537TRL7PP $R_{DS(on)}=3.3\text{ m}\Omega$			IPP040N06NF2S $R_{DS(on)}=4.00\text{ m}\Omega$		IRFP7537PBF $R_{DS(on)}=3.3\text{ m}\Omega$		
4-10		IRFS3306 $R_{DS(on)}=4.2\text{ m}\Omega$			IPP040N06N ¹⁾ $R_{DS(on)}=4.0\text{ m}\Omega$	IPA040N06N M5S $R_{DS(on)}=4.0\text{ m}\Omega$		
					IRFB3306PBF $R_{DS(on)}=4.2\text{ m}\Omega$		IRFP3306PBF $R_{DS(on)}=4.2\text{ m}\Omega$	
	IRFR7540TRPBF $R_{DS(on)}=4.8\text{ m}\Omega$	IRFS7540TRL7PP $R_{DS(on)}=5.1\text{ m}\Omega$			IRFB7540PBF $R_{DS(on)}=5.1\text{ m}\Omega$			
	IPD053N06N ¹⁾ $R_{DS(on)}=5.3\text{ m}\Omega$							
		IPB057N06N ¹⁾ $R_{DS(on)}=5.7\text{ m}\Omega$			IRFB7545PBF $R_{DS(on)}=5.9\text{ m}\Omega$			
	IRFR7546TRPBF $R_{DS(on)}=7.9\text{ m}\Omega$	IRF1018ES $R_{DS(on)}=8.4\text{ m}\Omega$			IPP060N06N ¹⁾ $R_{DS(on)}=6.0\text{ m}\Omega$	IPA060N06N ¹⁾ $R_{DS(on)}=6.0\text{ m}\Omega$		
	IRFR1018E $R_{DS(on)}=8.4\text{ m}\Omega$				IRFB7546PBF $R_{DS(on)}=7.3\text{ m}\Omega$			
					IRF1018EPBF $R_{DS(on)}=8.4\text{ m}\Omega$	IPA060N06NM5S $R_{DS(on)}=6.0\text{ m}\Omega$		
IRF60R217 $R_{DS(on)}=9.9\text{ m}\Omega$				IRF60B217 $R_{DS(on)}=9.0\text{ m}\Omega$				
>10	IRFR3806 $R_{DS(on)}=15.8\text{ m}\Omega$	IRFS3806 $R_{DS(on)}=15.8\text{ m}\Omega$			IRFB3806PBF $R_{DS(on)}=15.8\text{ m}\Omega$			





OptiMOS™ and StrongIRFET™ 60 V normal level

$R_{DS(on), max.}$ @ $V_{GS}=10\text{ V}$ [mΩ]	DirectFET™	PQFN 3.3x3.3	SO8	SuperSO8	TO-Leadless	sTOLL	TOLG (TO-Leaded Gullwing)
< 1					IPT007N06N ¹⁾ $R_{DS(on)} = 0.7\text{ m}\Omega$	IST011N06NM5 $R_{DS(on)} = 1.1\text{ m}\Omega$	IPTG007N06NM5 $R_{DS(on)} = 0.75\text{ m}\Omega$
1-2	IRF7749L1TRPBF $R_{DS(on)} = 1.5\text{ m}\Omega$			ISC010N06NM5 $R_{DS(on)} = 1.05\text{ m}\Omega$		IST015N06NM5 $R_{DS(on)} = 1.5\text{ m}\Omega$	
				BSC012N06NS $R_{DS(on)} = 1.2\text{ m}\Omega$	IPT012N06N ¹⁾ $R_{DS(on)} = 1.2\text{ m}\Omega$		
				BSC014N06NS ¹⁾ $R_{DS(on)} = 1.4\text{ m}\Omega$	IPT008N06NM5LF $R_{DS(on)} = 0.8\text{ m}\Omega$		
				BSC014N06NST ¹⁾ $R_{DS(on)} = 1.45\text{ m}\Omega$			
				BSC016N06NST ¹⁾ $R_{DS(on)} = 1.6\text{ m}\Omega$			
				BSC016N06NS ¹⁾ $R_{DS(on)} = 1.6\text{ m}\Omega$			
2-4	IRF7748L1TRPBF $R_{DS(on)} = 2.2\text{ m}\Omega$	BSZ039N06NS $R_{DS(on)} = 3.9\text{ m}\Omega$		BSC028N06NS ¹⁾ $R_{DS(on)} = 2.8\text{ m}\Omega$			
				BSC028N06NST ¹⁾ $R_{DS(on)} = 2.8\text{ m}\Omega$			
	IRF60DM206 $R_{DS(on)} = 2.9\text{ m}\Omega$			IRFH7085TRPBF $R_{DS(on)} = 3.2\text{ m}\Omega$			
				BSC034N06NS ¹⁾ $R_{DS(on)} = 3.4\text{ m}\Omega$			
				BSC039N06NS ¹⁾ $R_{DS(on)} = 3.9\text{ m}\Omega$			
				IRFH5006TRPBF $R_{DS(on)} = 4.1\text{ m}\Omega$			
	IRF6648 $R_{DS(on)} = 7.0\text{ m}\Omega$	BSZ042N06NS ¹⁾ $R_{DS(on)} = 4.2\text{ m}\Omega$	IRF7855TRPBF $R_{DS(on)} = 9.4\text{ m}\Omega$	IRFH7545TRPBF $R_{DS(on)} = 5.2\text{ m}\Omega$			
	IRF6674 $R_{DS(on)} = 11.0\text{ m}\Omega$			BSC066N06NS ¹⁾ $R_{DS(on)} = 6.6\text{ m}\Omega$			
	BSZ068N06NS ¹⁾ $R_{DS(on)} = 6.8\text{ m}\Omega$		BSC097N06NS ¹⁾ $R_{DS(on)} = 9.7\text{ m}\Omega$				
	BSZ100N06NS ¹⁾ $R_{DS(on)} = 10.0\text{ m}\Omega$		BSC097N06NST ¹⁾ $R_{DS(on)} = 9.7\text{ m}\Omega$				
> 10				IRFH5406TRPBF $R_{DS(on)} = 14.4\text{ m}\Omega$			



OptiMOS™ and StrongIRFET™ 60 V logic level

$R_{DS(on), max.}$ @ $V_{GS}=10\text{ V}$ [mΩ]	TO-252 (DPAK)	TO-263 (D ² PAK)	TO-263 (D ² PAK 7-pin)	TO-262 (I ² PAK)	TO-220	PQFN 2x2	PQFN 3.3x3.3	SuperSO8
1-2			IRL60SC216 $R_{DS(on)} = 1.5\text{ m}\Omega$					ISC009N06LM5 $R_{DS(on)} = 0.9\text{ m}\Omega$
								ISC011N06LM5 $R_{DS(on)} = 1.1\text{ m}\Omega$
2-4		IRL60S216 $R_{DS(on)} = 1.95\text{ m}\Omega$	IRLS3036TRL7PP $R_{DS(on)} = 1.9\text{ m}\Omega$	IRL60SL216 $R_{DS(on)} = 1.95\text{ m}\Omega$	IRL60B216 $R_{DS(on)} = 1.9\text{ m}\Omega$		ISZ034N06LM5 $R_{DS(on)} = 3.4\text{ m}\Omega$	
		IRLS3036TRL7PP $R_{DS(on)} = 2.4\text{ m}\Omega$			IRLB3036PBF $R_{DS(on)} = 2.4\text{ m}\Omega$		BSZ037N06LS5 $R_{DS(on)} = 3.7\text{ m}\Omega$	BSC027N06LS5 $R_{DS(on)} = 2.7\text{ m}\Omega$
4-10							BSZ040N06LS5 $R_{DS(on)} = 4.0\text{ m}\Omega$	BSC065N06LS5 $R_{DS(on)} = 6.5\text{ m}\Omega$
	IRLR3636TRPBF $R_{DS(on)} = 6.8\text{ m}\Omega$						BSZ065N06LS5 $R_{DS(on)} = 6.5\text{ m}\Omega$	BSC094N06LS5 $R_{DS(on)} = 9.4\text{ m}\Omega$
							BSZ099N06LS5 $R_{DS(on)} = 9.9\text{ m}\Omega$	
>10						IRL60HS118 $R_{DS(on)} = 17.0\text{ m}\Omega$		





OptiMOS™ and StrongIRFET™ 75 V normal level

$R_{DS(on), max.}$ @ $V_{GS}=10\text{ V}$ [mΩ]	TO-252 (DPAK)	TO-263 (D ² PAK)	TO-263 (D ² PAK 7-pin)	TO-220	TO-247	DirectFET™	SuperSO8	
1-2			IRFS7730TRL7PP $R_{DS(on)}=2.0\text{ m}\Omega$		IRFP7718PBF $R_{DS(on)}=1.8\text{ m}\Omega$ IRFP4368PBF $R_{DS(on)}=1.85\text{ m}\Omega$			
2-4		IRFS7730TRLPBF $R_{DS(on)}=2.6\text{ m}\Omega$ IRFS3107TRLPBF $R_{DS(on)}=3.0\text{ m}\Omega$	IRFS3107TRL7PP $R_{DS(on)}=2.6\text{ m}\Omega$	IRFB7730PBF $R_{DS(on)}=2.6\text{ m}\Omega$ IRFB3077PBF $R_{DS(on)}=3.3\text{ m}\Omega$		IRFP3077PBF $R_{DS(on)}=3.3\text{ m}\Omega$	IRF7759L2TRPBF $R_{DS(on)}=2.3\text{ m}\Omega$	
		IRFS7734TRLPBF $R_{DS(on)}=3.5\text{ m}\Omega$	IRFS7734TRL7PP $R_{DS(on)}=3.05\text{ m}\Omega$	IRFB7734PBF $R_{DS(on)}=3.5\text{ m}\Omega$				
		IRFS3207ZTRLPBF $R_{DS(on)}=4.1\text{ m}\Omega$		IRFB7740PBF $R_{DS(on)}=7.3\text{ m}\Omega$ IRFB7787PBF $R_{DS(on)}=8.4\text{ m}\Omega$ IRFB3607PBF $R_{DS(on)}=9.0\text{ m}\Omega$	IRFB3207ZPBF $R_{DS(on)}=4.5\text{ m}\Omega$ IRFB3307ZPBF $R_{DS(on)}=5.8\text{ m}\Omega$		IRF7780MTRPBF $R_{DS(on)}=5.7\text{ m}\Omega$	IRFH5007TRPBF $R_{DS(on)}=5.9\text{ m}\Omega$ IRFH7787TRPBF $R_{DS(on)}=8.0\text{ m}\Omega$
		IRFR7740TRPBF $R_{DS(on)}=7.2\text{ m}\Omega$ IRFR3607PBF $R_{DS(on)}=9.0\text{ m}\Omega$ IRFR7746TRPBF $R_{DS(on)}=11.2\text{ m}\Omega$	IRFS7787TRLPBF $R_{DS(on)}=8.4\text{ m}\Omega$ IRFS3607TRLPBF $R_{DS(on)}=9.0\text{ m}\Omega$		IRFB7746PBF $R_{DS(on)}=10.6\text{ m}\Omega$			
>10								



OptiMOS™ and StrongIRFET™ 80 V normal level / logic level

$R_{DS(on), max.}$ @ $V_{GS}=10\text{ V}$ [mΩ]	TO-252 (DPAK)	TO-263 (D ² PAK)	TO-263 (D ² PAK 7-pin)	TO-220	TO-220 FullPAK	DirectFET™	PQFN 2x2	PQFN 3.3x3.3	SuperSO8	TO-Leadless
1-2		IPB017N08N5 $R_{DS(on)}=1.7\text{ m}\Omega$	IPB015N08N5 $R_{DS(on)}=1.5\text{ m}\Omega$	IPP016N08NF2S $R_{DS(on)}=1.6\text{ m}\Omega$ IPP019N08NF2S $R_{DS(on)}=1.9\text{ m}\Omega$					BSC019N08NS5 $R_{DS(on)}=1.9\text{ m}\Omega$	IPT010N08NM5 $R_{DS(on)}=1.0\text{ m}\Omega$
		IPB020N08N5 $R_{DS(on)}=2.0\text{ m}\Omega$	IPB019N08N5 $R_{DS(on)}=1.95\text{ m}\Omega$	IPP020N08N5 $R_{DS(on)}=2.0\text{ m}\Omega$ IPP024N08NF2S $R_{DS(on)}=2.4\text{ m}\Omega$ IPP023N08N5 $R_{DS(on)}=2.3\text{ m}\Omega$ IPP027N08N5 $R_{DS(on)}=2.7\text{ m}\Omega$					BSC021N08NS5 $R_{DS(on)}=2.1\text{ m}\Omega$ BSC025N08LS5 $R_{DS(on)}=2.5\text{ m}\Omega$ BSC026N08NS5 $R_{DS(on)}=2.6\text{ m}\Omega$ BSC030N08NS5 $R_{DS(on)}=3.0\text{ m}\Omega$ BSC037N08NS5 $R_{DS(on)}=3.7\text{ m}\Omega$ BSC037N08NS5T $R_{DS(on)}=3.7\text{ m}\Omega$	IPT012N08N5 $R_{DS(on)}=1.2\text{ m}\Omega$ IPT013N08NM5LF $R_{DS(on)}=1.3\text{ m}\Omega$ IPT014N08NM5 $R_{DS(on)}=1.4\text{ m}\Omega$ IPT019N08N5 $R_{DS(on)}=1.9\text{ m}\Omega$ IPT029N08N5 $R_{DS(on)}=2.9\text{ m}\Omega$
2-4		IPB024N08N5 $R_{DS(on)}=2.4\text{ m}\Omega$		IPP034N08N5 $R_{DS(on)}=3.4\text{ m}\Omega$					BSC040N08NS5 $R_{DS(on)}=4.0\text{ m}\Omega$	
		IPB031N08N5 $R_{DS(on)}=3.1\text{ m}\Omega$			IPA040N08NM5S $R_{DS(on)}=4.0\text{ m}\Omega$ IPA052N08NM5S $R_{DS(on)}=5.2\text{ m}\Omega$				BSC052N08NS5 $R_{DS(on)}=5.2\text{ m}\Omega$	
4-10		IPD046N08N5 $R_{DS(on)}=4.6\text{ m}\Omega$	IPB049N08N5 $R_{DS(on)}=4.9\text{ m}\Omega$	IPP052N08N5 $R_{DS(on)}=5.2\text{ m}\Omega$ IPP055N08NF2S $R_{DS(on)}=5.5\text{ m}\Omega$					BSZ070N08LS5 $R_{DS(on)}=7.0\text{ m}\Omega$ BSZ075N08NS5 $R_{DS(on)}=7.5\text{ m}\Omega$ BSZ084N08NS5 $R_{DS(on)}=8.4\text{ m}\Omega$	BSC061N08NS5 $R_{DS(on)}=6.1\text{ m}\Omega$ BSC072N08NS5 $R_{DS(on)}=7.2\text{ m}\Omega$
						IRF6646TRPBF $R_{DS(on)}=9.5\text{ m}\Omega$ IRF7854TRPBF $R_{DS(on)}=9.5\text{ m}\Omega$			BSZ110N08NS5 $R_{DS(on)}=11.0\text{ m}\Omega$	BSC117N08NS5 $R_{DS(on)}=11.7\text{ m}\Omega$
							IRL80HS120 $R_{DS(on)}=32.0\text{ m}\Omega$			
>10										



OptiMOS™ and StrongIRFET™ 80 V normal level / logic level



$R_{DS(on), max.}$ @ $V_{GS}=10\text{ V}$ [mΩ]	TOLG (TO-Leaded Gullwing)	TOLT (TO-Leaded top-side cooling)	sTOLL
1-2	IPTG011N08NM5 $R_{DS(on)} = 1.1\text{ m}\Omega$	IPTC012N08NM5 $R_{DS(on)} = 1.2\text{ m}\Omega$	IST019N08NM5 $R_{DS(on)} = 1.9\text{ m}\Omega$
	IPTG018N08NM5 $R_{DS(on)} = 1.8\text{ m}\Omega$	IPTC014N08NM5 $R_{DS(on)} = 1.4\text{ m}\Omega$	
	IPTG025N08NM5 $R_{DS(on)} = 2.5\text{ m}\Omega$		

OptiMOS™ and StrongIRFET™ 100 V normal level



$R_{DS(on), max.}$ @ $V_{GS}=10\text{ V}$ [mΩ]	TO-252 (DPAK)	TO-263 (D ² PAK)	TO-263 (D ² PAK 7-pin)	TO-220	TO-220 FullPAK	TO-247
1-2		IPB020N10N5 $R_{DS(on)} = 2.0\text{ m}\Omega$	IPB017N10N5 $R_{DS(on)} = 1.7\text{ m}\Omega$			IRF100P218 $R_{DS(on)} = 1.1\text{ m}\Omega$
		IPB020N10N5LF $R_{DS(on)} = 2.0\text{ m}\Omega$	IPB017N10N5LF $R_{DS(on)} = 1.7\text{ m}\Omega$			IRF100P219 $R_{DS(on)} = 2.1\text{ m}\Omega$
2-4			IPB024N10N5 $R_{DS(on)} = 2.4\text{ m}\Omega$	IPP023N10N5 $R_{DS(on)} = 2.3\text{ m}\Omega$	IPA030N10NF2S $R_{DS(on)} = 3.0\text{ m}\Omega$	IRFP4468PBF $R_{DS(on)} = 2.6\text{ m}\Omega$
		IPB027N10N5 $R_{DS(on)} = 2.7\text{ m}\Omega$		IPP026N10NF2S $R_{DS(on)} = 2.6\text{ m}\Omega$		
		IPB033N10N5LF $R_{DS(on)} = 3.3\text{ m}\Omega$	IPB032N10N5 $R_{DS(on)} = 3.2\text{ m}\Omega$	IPP030N10N5 $R_{DS(on)} = 3.0\text{ m}\Omega$		
				IPP039N10N5 $R_{DS(on)} = 3.9\text{ m}\Omega$		
4-10	IPD050N10N5 $R_{DS(on)} = 5.0\text{ m}\Omega$		IRFS4010TRL7PP $R_{DS(on)} = 4.0\text{ m}\Omega$	IRF100B201 $R_{DS(on)} = 4.2\text{ m}\Omega$		IRFP4110PBF $R_{DS(on)} = 4.5\text{ m}\Omega$
		IRF100S201 $R_{DS(on)} = 4.2\text{ m}\Omega$		IRFB4110PBF $R_{DS(on)} = 4.5\text{ m}\Omega$	IPA050N10NM5S $R_{DS(on)} = 5.0\text{ m}\Omega$	IRFP4310ZPBF $R_{DS(on)} = 6.0\text{ m}\Omega$
		IRFS4010TRLPBF $R_{DS(on)} = 4.7\text{ m}\Omega$		IPP050N10NF2S $R_{DS(on)} = 5.0\text{ m}\Omega$		
				IRFB4310ZPBF $R_{DS(on)} = 6.0\text{ m}\Omega$	IPA082N10NF2S $R_{DS(on)} = 8.2\text{ m}\Omega$	
		IRFS4310ZTRLPBF $R_{DS(on)} = 7.0\text{ m}\Omega$		IPP082N10NF2S $R_{DS(on)} = 8.2\text{ m}\Omega$	IPA083N10N5 $R_{DS(on)} = 8.3\text{ m}\Omega$	
				IPP083N10N5 $R_{DS(on)} = 8.3\text{ m}\Omega$	IPA083N10NM5S $R_{DS(on)} = 8.3\text{ m}\Omega$	
				IRF100B202 $R_{DS(on)} = 8.6\text{ m}\Omega$		
		IRFS4410ZTRLPBF $R_{DS(on)} = 9.0\text{ m}\Omega$		IRFB4410ZPBF $R_{DS(on)} = 9.0\text{ m}\Omega$		
10-25				IPP129N10NF2S $R_{DS(on)} = 12.9\text{ m}\Omega$		
	IRFR4510TRPBF $R_{DS(on)} = 13.9\text{ m}\Omega$	IRFS4510TRLPBF $R_{DS(on)} = 13.9\text{ m}\Omega$		IRFB4510PBF $R_{DS(on)} = 13.5\text{ m}\Omega$	IPA126N10NM3S $R_{DS(on)} = 12.6\text{ m}\Omega$	
>25	IPD78CN10N G $R_{DS(on)} = 78.0\text{ m}\Omega$					





OptiMOS™ and StrongIRFET™ 100 V normal level

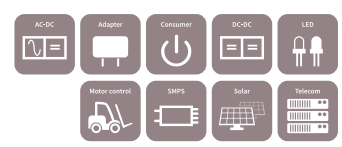
$R_{DS(on), max.}$ @ $V_{GS}=10\text{ V}$ [mΩ]	DirectFET™	PQFN 3.3x3.3	SuperSO8	SuperSO8 super cool	SO8	TO-Leadless	TOLT (TO-Leaded top-side cooling)	TOLG (TO-Leaded Gullwing)	sTOLL
1-2		ISZ080N10NM6 $R_{DS(on)} = 8.0\text{ m}\Omega$	ISC022N10NM6 $R_{DS(on)} = 2.2\text{ m}\Omega$						
			ISC027N10NM6 $R_{DS(on)} = 2.7\text{ m}\Omega$						
			ISC030N10NM6 $R_{DS(on)} = 3.0\text{ m}\Omega$						
2-4			BSC027N10NS5 $R_{DS(on)} = 2.7\text{ m}\Omega$						
	IRF7769L1TRPBF $R_{DS(on)} = 3.5\text{ m}\Omega$		BSC035N10NS5 $R_{DS(on)} = 3.5\text{ m}\Omega$	BSC040N10NS5SC $R_{DS(on)} = 4.0\text{ m}\Omega$					
4-10			BSC040N10NS5 $R_{DS(on)} = 4.0\text{ m}\Omega$						
			BSC050N10N5 $R_{DS(on)} = 5.0\text{ m}\Omega$						
			ISC060N10NM6 $R_{DS(on)} = 6.0\text{ m}\Omega$						
			BSC070N10NS5 $R_{DS(on)} = 7.0\text{ m}\Omega$	BSC070N10NS5SC $R_{DS(on)} = 7.0\text{ m}\Omega$					
			ISC080N10NM6 $R_{DS(on)} = 8.0\text{ m}\Omega$						
			IRFH5010TRPBF $R_{DS(on)} = 9.0\text{ m}\Omega$						
10-25		BSZ097N10NS5 $R_{DS(on)} = 9.7\text{ m}\Omega$	BSC098N10NS5 $R_{DS(on)} = 9.8\text{ m}\Omega$						
	IRF6644TRPBF $R_{DS(on)} = 13.0\text{ m}\Omega$	ISZ230N10NM6 $R_{DS(on)} = 23\text{ m}\Omega$							
			IRFH5110TRPBF $R_{DS(on)} = 12.4\text{ m}\Omega$						
			IRFH5210TRPBF $R_{DS(on)} = 14.9\text{ m}\Omega$						
>25	IRF662TRPBF $R_{DS(on)} = 22.0\text{ m}\Omega$		ISC230N10NM6 $R_{DS(on)} = 23\text{ m}\Omega$		IRF7853TRPBF $R_{DS(on)} = 18.0\text{ m}\Omega$				
	IRF6645TRPBF $R_{DS(on)} = 35.0\text{ m}\Omega$								
	IRF6665TRPBF $R_{DS(on)} = 63.0\text{ m}\Omega$	IRFHM3911TRPBF $R_{DS(on)} = 115\text{ m}\Omega$							

OptiMOS™ and StrongIRFET™ 100 V logic level



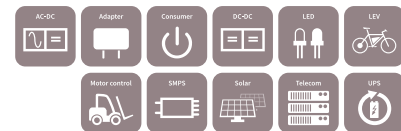
$R_{DS(on), max.}$ @ $V_{GS}=10\text{ V}$ [mΩ]	TO-252 (DPAK)	TO-263 (D ² PAK)	TO-263 (D ² PAK 7-pin)	TO-220	PQFN 2x2	PQFN 3.3x3.3	SuperSO8
2-4			IRLS4030TRL7PP $R_{DS(on)} = 3.9\text{ m}\Omega$				BSC034N10LS5 $R_{DS(on)} = 3.4\text{ m}\Omega$
4-10		IRLS4030TRLPBF $R_{DS(on)} = 4.3\text{ m}\Omega$		IRLB4030PBF $R_{DS(on)} = 4.3\text{ m}\Omega$		BSZ096N10LS5 $R_{DS(on)} = 9.6\text{ m}\Omega$	BSC070N10LS5 $R_{DS(on)} = 7.0\text{ m}\Omega$
							IRLH5030TRPBF $R_{DS(on)} = 9.0\text{ m}\Omega$
10-25						BSZ146N10LS5 $R_{DS(on)} = 14.6\text{ m}\Omega$	BSC096N10LS5 $R_{DS(on)} = 9.6\text{ m}\Omega$
	IRLR3110ZTRPBF $R_{DS(on)} = 14.0\text{ m}\Omega$						BSC146N10LS5 $R_{DS(on)} = 14.6\text{ m}\Omega$
>25					IRL100HS121 $R_{DS(on)} = 42.0\text{ m}\Omega$		





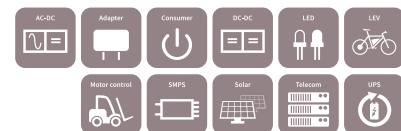
OptiMOS™ and StrongIRFET™ 120 V normal level / logic level

$R_{DS(on), max.}$ @ $V_{GS}=10$ V [mΩ]	TO-252 (DPAK)	TO-263 (D ² PAK)	TO-263 (D ² PAK 7-pin)	TO-262 (I ² PAK)	TO-220	PQFN 3.3x3.3	SuperSO8	TO-Leadless (TOLL)
2-4		IPB038N12N3 G $R_{DS(on)}=3.8$ mΩ	IPB036N12N3 G $R_{DS(on)}=3.6$ mΩ					IPT030N12N3 G $R_{DS(on)}=3.0$ mΩ
4-10				IPI041N12N3 G $R_{DS(on)}=4.1$ mΩ	IPP041N12N3 G $R_{DS(on)}=4.1$ mΩ		BSC077N12NS3 G $R_{DS(on)}=7.7$ mΩ	
					IPP048N12N3 G $R_{DS(on)}=4.8$ mΩ		BSC080N12LS G* $R_{DS(on)}=8.0$ mΩ	
10-25				IPI076N12N3 G $R_{DS(on)}=7.6$ mΩ	IPP076N12N3 G $R_{DS(on)}=7.6$ mΩ			
	IPD110N12N3 G $R_{DS(on)}=11.0$ mΩ				IPP114N12N3 G $R_{DS(on)}=11.4$ mΩ		BSC120N12LS G* $R_{DS(on)}=12.0$ mΩ	
		IPB144N12N3 G $R_{DS(on)}=14.4$ mΩ			IPP147N12N3 G $R_{DS(on)}=14.7$ mΩ	BSZ240N12NS3 G $R_{DS(on)}=24.0$ mΩ	BSC190N12NS3 G $R_{DS(on)}=19.0$ mΩ	



OptiMOS™ and StrongIRFET™ 135-150 V normal level

$R_{DS(on), max.} @ V_{GS}=10\text{ V}$ [mΩ]	DirectFET™	PQFN 3.3x3.3	SupersO8	TO-Leadless
4-10			BSC074N15NS5 ²⁾ $R_{DS(on)} = 7.4\text{ m}\Omega$	IPT039N15N5 $R_{DS(on)} = 3.9\text{ m}\Omega$
			BSC093N15NS5 $R_{DS(on)} = 9.3\text{ m}\Omega$	IPT044N15N5 $R_{DS(on)} = 4.4\text{ m}\Omega$
				IPT054N15N5 $R_{DS(on)} = 5.4\text{ m}\Omega$
				IPT063N15N5 $R_{DS(on)} = 6.3\text{ m}\Omega$
10-25	IRF7779L2TRPBF ²⁾ $R_{DS(on)} = 11.0\text{ m}\Omega$		BSC110N15NS5 $R_{DS(on)} = 11.0\text{ m}\Omega$	
			BSC160N15NS5 $R_{DS(on)} = 16.0\text{ m}\Omega$	
>25		BSZ300N15NS5 $R_{DS(on)} = 30.0\text{ m}\Omega$	IRFH5015TRPBF $R_{DS(on)} = 31.0\text{ m}\Omega$	
	IRF6643TRPBF $R_{DS(on)} = 34.5\text{ m}\Omega$		IRFH5215TRPBF $R_{DS(on)} = 58.0\text{ m}\Omega$	
	IRF6775MTRPBF $R_{DS(on)} = 56.0\text{ m}\Omega$			



OptiMOS™ and StrongIRFET™ 135-150 V normal level

$R_{DS(on), max.} @ V_{GS}=10\text{ V}$ [mΩ]	TO-252 (DPAK)	TO-263 (D ² PAK)	TO-263 (D ² PAK 7-pin)	TO-262 (I ² PAK)	TO-220	TO-247
4-10		IPB048N15N5 $R_{DS(on)} = 4.8\text{ m}\Omega$	IPB044N15N5 $R_{DS(on)} = 4.4\text{ m}\Omega$	IPI051N15N5 $R_{DS(on)} = 5.1\text{ m}\Omega$	IPP051N15N5 ²⁾ $R_{DS(on)} = 5.1\text{ m}\Omega$	IRF150P220 $R_{DS(on)} = 2.5\text{ m}\Omega$
		IPB048N15N5LF $R_{DS(on)} = 4.8\text{ m}\Omega$	IRF135SA204 ²⁾ $R_{DS(on)} = 5.9\text{ m}\Omega$			IRF150P221 $R_{DS(on)} = 4.8\text{ m}\Omega$
			IPB060N15N5 $R_{DS(on)} = 6.0\text{ m}\Omega$			IRFP4568PBF $R_{DS(on)} = 5.9\text{ m}\Omega$
		IPB073N15N5 $R_{DS(on)} = 7.3\text{ m}\Omega$		IPI076N15N5 $R_{DS(on)} = 7.6\text{ m}\Omega$	IPP076N15N5 $R_{DS(on)} = 7.6\text{ m}\Omega$	
		IPB083N15N5LF $R_{DS(on)} = 8.3\text{ m}\Omega$				
		IRF135S203 ²⁾ $R_{DS(on)} = 8.4\text{ m}\Omega$				IRF135B203 ²⁾ $R_{DS(on)} = 8.4\text{ m}\Omega$
10-25			IRFS4115TRL7PP $R_{DS(on)} = 11.8\text{ m}\Omega$			
		IRFS4321 $R_{DS(on)} = 15.0\text{ m}\Omega$			IRFB4321PBF $R_{DS(on)} = 15.0\text{ m}\Omega$	IRFP4321PBF $R_{DS(on)} = 15.5\text{ m}\Omega$
		IRFS4115TRLPBF $R_{DS(on)} = 12.1\text{ m}\Omega$			IRFB4228PBF $R_{DS(on)} = 15.0\text{ m}\Omega$	
>25		IRFS4615PBF $R_{DS(on)} = 42.0\text{ m}\Omega$			IRFB4615PBF $R_{DS(on)} = 39.0\text{ m}\Omega$	
	IRFR4615 $R_{DS(on)} = 42.0\text{ m}\Omega$				IRFB5615PBF $R_{DS(on)} = 39.0\text{ m}\Omega$	
					IRFB4019PBF $R_{DS(on)} = 95.0\text{ m}\Omega$	

www.infineon.com/powermosfet-12V-300V

1) 8 V rated ($R_{DS(on)}$ also specified @ $V_{GS} = 8\text{ V}$)
2) 135 V

For more details on the product, click on the part number, visit infineon.com or contact our [product support](#).





OptiMOS™ and StrongIRFET™ 200 V normal level

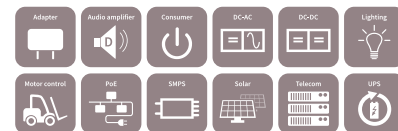
$R_{DS(on), max.}$ @ $V_{GS}=10\text{ V}$ [mΩ]	TO-252 (DPAK)	TO-263 (D ⁺ PAK)	TO-220	TO-220 FullPAK	TO-247
4-10					IRF200P222 $R_{DS(on)}=6.6\text{ m}\Omega$
					IRFP4668PBF $R_{DS(on)}=9.7\text{ m}\Omega$
10-25		IPB107N20N3 G $R_{DS(on)}=10.7\text{ m}\Omega$	IPP110N20N3 G $R_{DS(on)}=11.0\text{ m}\Omega$		IRF200P223 $R_{DS(on)}=11.5\text{ m}\Omega$
		IPB110N20N3LF $R_{DS(on)}=11.0\text{ m}\Omega$			
		IPB117N20NFD $R_{DS(on)}=11.7\text{ m}\Omega$	IPP120N20NFD $R_{DS(on)}=12.0\text{ m}\Omega$		IRFP4127PBF $R_{DS(on)}=21.0\text{ m}\Omega$
		IPB156N22NFD ¹⁾ $R_{DS(on)}=15.6\text{ m}\Omega$	IRFB4127PBF $R_{DS(on)}=20.0\text{ m}\Omega$		IRFP4227PBF $R_{DS(on)}=25.0\text{ m}\Omega$
		IRFS4127TRLPBF $R_{DS(on)}=22.0\text{ m}\Omega$			
>25		IRFS4227TRLPBF $R_{DS(on)}=26.0\text{ m}\Omega$	IRFB4227PBF $R_{DS(on)}=26.0\text{ m}\Omega$	IPA320N20NM3S $R_{DS(on)}=32.0\text{ m}\Omega$	
	IPD320N20N3 G $R_{DS(on)}=32.0\text{ m}\Omega$	IPB320N20N3 G $R_{DS(on)}=32.0\text{ m}\Omega$	IPP320N20N3 G $R_{DS(on)}=32.0\text{ m}\Omega$		
			IRFB4620PBF $R_{DS(on)}=72.5\text{ m}\Omega$		
	IRFR4620TRLPBF $R_{DS(on)}=78.0\text{ m}\Omega$	IRFS4620TRLPBF $R_{DS(on)}=78.0\text{ m}\Omega$	IRFB5620PBF $R_{DS(on)}=72.5\text{ m}\Omega$		
		IRFS4020TRLPBF $R_{DS(on)}=105.0\text{ m}\Omega$	IRFB4020PBF $R_{DS(on)}=100.0\text{ m}\Omega$		
			IRF200B211 $R_{DS(on)}=170.0\text{ m}\Omega$		



OptiMOS™ and StrongIRFET™ 200 V normal level

$R_{DS(on), max.}$ @ $V_{GS}=10\text{ V}$ [mΩ]	DirectFET™	PQFN 3.3x3.3	SuperSO8	SO8	TO-Leadless	TOLG (TO-Leaded Gullwing)
10-25			BSC220N20NSFD $R_{DS(on)}=22.0\text{ m}\Omega$		IPT111N20NFD $R_{DS(on)}=11.1\text{ m}\Omega$	IPTG111N20NM3FD $R_{DS(on)}=11.1\text{ m}\Omega$
>25			BSC320N20NS3 G $R_{DS(on)}=32.0\text{ m}\Omega$			
			BSC350N20NSFD $R_{DS(on)}=35.0\text{ m}\Omega$			
			BSC500N20NS3G $R_{DS(on)}=50.0\text{ m}\Omega$			
	IRF6641TRPBF $R_{DS(on)}=59.9\text{ m}\Omega$		IRFH5020 $R_{DS(on)}=55.0\text{ m}\Omega$			
		BSZ900N20NS3 G $R_{DS(on)}=90.0\text{ m}\Omega$	BSC900N20NS3 G $R_{DS(on)}=90.0\text{ m}\Omega$	IRF7820TRPBF $R_{DS(on)}=78.0\text{ m}\Omega$		
IRF6785TRPBF $R_{DS(on)}=100.0\text{ m}\Omega$	BSZ12DN20NS3 G $R_{DS(on)}=125.0\text{ m}\Omega$	BSC12DN20NS3 G $R_{DS(on)}=125.0\text{ m}\Omega$				
	BSZ22DN20NS3 G $R_{DS(on)}=225.0\text{ m}\Omega$	BSC22DN20NS3 G $R_{DS(on)}=225.0\text{ m}\Omega$				





OptiMOS™ and StrongIRFET™ 250 V normal level

$R_{DS(on), max.}$ @ $V_{GS}=10\text{ V}$ [mΩ]	TO-252 (DPAK)	TO-263 (D ² PAK)	TOLG (TO-Leaded Gullwing)	TO-220	TO-220 FullPAK	TO-247	PQFN 3.3x3.3	SuperSO8	TO-Leadless
10-25		IPB200N25N3 G $R_{DS(on)}=20.0\text{ m}\Omega$	IPTG210N25NM3FD $R_{DS(on)}=21\text{ m}\Omega$	IPP200N25N3 G $R_{DS(on)}=20.0\text{ m}\Omega$		IRF250P224 $R_{DS(on)}=12.0\text{ m}\Omega$			
				IPP220N25NFD $R_{DS(on)}=22.0\text{ m}\Omega$		IRFP4768PBF $R_{DS(on)}=17.5\text{ m}\Omega$			IPT210N25NFD $R_{DS(on)}=21.0\text{ m}\Omega$
						IRF250P225 $R_{DS(on)}=22.0\text{ m}\Omega$			
>25								BSC430N25NSFD $R_{DS(on)}=43.0\text{ m}\Omega$	
		IRFS4229TRLPBF $R_{DS(on)}=48.0\text{ m}\Omega$		IRFB4332PBF $R_{DS(on)}=33.0\text{ m}\Omega$		IRFP4332PBF $R_{DS(on)}=33.0\text{ m}\Omega$		BSC600N25NS3 G $R_{DS(on)}=60.0\text{ m}\Omega$	
	IPD600N25N3 G $R_{DS(on)}=60.0\text{ m}\Omega$	IPB600N25N3 G $R_{DS(on)}=60.0\text{ m}\Omega$		IRFB4229PBF $R_{DS(on)}=46.0\text{ m}\Omega$				BSC670N25NSFD $R_{DS(on)}=67.0\text{ m}\Omega$	
				IPP600N25N3 G $R_{DS(on)}=60.0\text{ m}\Omega$	IPA600N25NM3S $R_{DS(on)}=60.0\text{ m}\Omega$	IRFP4229PBF $R_{DS(on)}=46.0\text{ m}\Omega$	BSZ16DN25NS3 G $R_{DS(on)}=165.0\text{ m}\Omega$	IRFH5025 $R_{DS(on)}=100.0\text{ m}\Omega$	
						BSZ42DN25NS3 G $R_{DS(on)}=425.0\text{ m}\Omega$	BSC16DN25NS3 G $R_{DS(on)}=165.0\text{ m}\Omega$		

OptiMOS™ and StrongIRFET™ 300 V normal level



$R_{DS(on), max.}$ @ $V_{GS}=10\text{ V}$ [mΩ]	TO-263 (D ² PAK)	TO-220	TO-247	SuperSO8
0-25			IRF300P226 $R_{DS(on)}=19.0\text{ m}\Omega$	
>25	IPB407N30N $R_{DS(on)}=40.7\text{ m}\Omega$	IPP410N30N $R_{DS(on)}=41.0\text{ m}\Omega$	IRFP4868PBF $R_{DS(on)}=32.0\text{ m}\Omega$	
			IRF300P227 $R_{DS(on)}=40\text{ m}\Omega$	
		IRFB4137PBF $R_{DS(on)}=69.0\text{ m}\Omega$	IRFP4137PBF $R_{DS(on)}=69.0\text{ m}\Omega$	BSC13DN30NSFD $R_{DS(on)}=130.0\text{ m}\Omega$

Power MOSFETs complementary



Voltage [V]		PQFN 3.3x3.3	SO8
Complementary	-20/20	>50 mΩ	
		BSZ15DC02KD H*** N: 55 mΩ, 5.1 A P: 150 mΩ, -3.2 A	
		BSZ215C H*** N: 55 mΩ, 5.1 A P: 150 mΩ, -3.2 A	
	-30/30	27-64 mΩ	IRF9389 N: 27 mΩ, 6.8 A P: 64 mΩ, -4.6 A
	-60/60	11-30 Ω	BSO612CV G* N: 0.12 Ω, 3.0 A P: 0.30 Ω, -2.0 A
			BSO615C G* N: 0.11 Ω, 3.1 A P: 0.30 Ω, -2.0 A

www.infineon.com/powermosfet-12V-300V

www.infineon.com/complementary

*Products are qualified to Automotive AEC Q101

** $R_{DS(on)}$ specified at 4.5 V

For more details on the product, click on the part number, visit infineon.com or contact our [product support](#).



Power P-channel MOSFETs



Voltage [V]	TO-252 (DPAK)	TO-263 (D ² PAK)	TO-220	PQFN 3.3x3.3	SuperSO8	SO8	PQFN 2x2
-20						BSO201SP H R _{DS(on)} = 7.0 mΩ	
							IRLHS2242TRPBF** R _{DS(on)} = 31.0 mΩ
	IPD042P03L3 G R _{DS(on)} = 4.2 mΩ				BSC030P03NS3 G R _{DS(on)} = 3.0 mΩ	IRF9310 R _{DS(on)} = 4.6 mΩ	
					BSC060P03NS3E G R _{DS(on)} = 6.0 mΩ; ESD	IRF9317 R _{DS(on)} = 6.6 mΩ	
	SPD50P03L G ¹ ** R _{DS(on)} = 7.0 mΩ			BSZ086P03NS3 G R _{DS(on)} = 8.6 mΩ	IRFH9310 R _{DS(on)} = 4.6 mΩ	IRF9321 R _{DS(on)} = 7.2 mΩ	
				BSZ086P03NS3E G R _{DS(on)} = 8.6 mΩ			
					BSC084P03NS3 G R _{DS(on)} = 8.4 mΩ		
						BSO080P03S H R _{DS(on)} = 8.0 mΩ	
				BSZ120P03NS3 G R _{DS(on)} = 12.0 mΩ		BSO301SP H R _{DS(on)} = 8.0 mΩ	
						IRF9328 R _{DS(on)} = 11.9 mΩ	
						IRF9388TRPBF R _{DS(on)} = 11.9 mΩ	
	-30						IRF9358 R _{DS(on)} = 16 mΩ; dual
				BSZ180P03NS3 G R _{DS(on)} = 18.0 mΩ		IRF9333 R _{DS(on)} = 19.4 mΩ	
				BSZ180P03NS3E G R _{DS(on)} = 18.0 mΩ; ESD			IRFH9301TRPBF R _{DS(on)} = 37.0 mΩ
							IRF9362 R _{DS(on)} = 21 mΩ; dual
							IRFH9351TRPBF R _{DS(on)} = 170.0 mΩ; dual
						IRF9335 R _{DS(on)} = 59 mΩ	
IPD380P06NM R _{DS(on)} = 38 mΩ		IPB110P06LM R _{DS(on)} = 11 mΩ	SPP80P06P H* R _{DS(on)} = 23.0 mΩ				
IPD650P06NM R _{DS(on)} = 65 mΩ		SPB80P06P G* R _{DS(on)} = 23.0 mΩ					
SPD30P06P G* R _{DS(on)} = 75.0 mΩ							
IPD900P06NM R _{DS(on)} = 90 mΩ							
SPD18P06P G* R _{DS(on)} = 130.0 mΩ		SPB18P06P G* R _{DS(on)} = 130.0 mΩ	SPP18P06P H* R _{DS(on)} = 130.0 mΩ			BSO613SPV G* R _{DS(on)} = 130.0 mΩ	
SPD09P06PL G* R _{DS(on)} = 250.0 mΩ							
IPD25DP06LM R _{DS(on)} = 250 mΩ							
IPD25DP06NM R _{DS(on)} = 250 mΩ							
SPD08P06P G* R _{DS(on)} = 300.0 mΩ							
IPD40DP06NM R _{DS(on)} = 400 mΩ							
-60	SPD15P10PL G* R _{DS(on)} = 200.0 mΩ	IPB320P10LM R _{DS(on)} = 32 mΩ	SPP15P10PL H* R _{DS(on)} = 200.0 mΩ				
	SPD15P10P G* R _{DS(on)} = 240.0 mΩ	IPB330P10NM R _{DS(on)} = 33 mΩ	IPP330P10NM R _{DS(on)} = 33 mΩ				
	SPD04P10PL G* R _{DS(on)} = 850.0 mΩ	IPB19DP10NM R _{DS(on)} = 185 mΩ					
	SPD04P10P G* R _{DS(on)} = 1000.0 mΩ						
	IPD11DP10NM R _{DS(on)} = 111 mΩ						
	IPD18DP10LM R _{DS(on)} = 178 mΩ						
	IPD19DP10NM R _{DS(on)} = 186 mΩ						
-100	IPD42DP15LM R _{DS(on)} = 420 mΩ	IPB720P15LM R _{DS(on)} = 72 mΩ					

P-channel MOSFETs

Solutions and Applications
20-300 V MOSFETs
500-950 V MOSFETs
Gate-driver ICs
Digital isolators
IGBT discretes and silicon power diodes
Intelligent power switches and modules
Microcontrollers
Power management ICs
WBG semiconductors
Sensors
Packages

www.infineon.com/pchannel

* Products are qualified to Automotive AEC Q101
** R_{DS(on)} specified at 4.5 V
1) 5-leg

For more details on the product, click on the part number, visit infineon.com or contact our [product support](#).



Small-signal/small-power N-channel



Voltage [V]	SOT-223	TSOP-6	SOT-89	SC59	SOT-23	SOT-323	SOT-363
20 V		BSL202SN ⁴⁾ 36 mΩ, 7.5 A, SLL		BSR802N ⁵⁾ 32 mΩ, 3.7 A, ULL	IRLML2402 ^{1) 3)} 250 mΩ, 1.2 A, SLL	BSS816NW ⁵⁾ 240 mΩ, 1.4 A, ULL	BSD214SN ⁴⁾ 250 mΩ, 1.5 A, SLL
		IRLMS2002 ^{1) 4)} 45 mΩ, 6.5 A, SLL		BSR202N ⁴⁾ 33 mΩ, 3.8 A, SLL	IRLML6244 ^{1) 4)} 27 mΩ, 6.3 A, SLL	BSS214NW ⁴⁾ 250 mΩ, 1.5 A, SLL	BSD840N ⁵⁾ 560 mΩ, 0.88 A, ULL, dual
		BSL806N ⁵⁾ 82 mΩ, 2.3 A, ULL, dual			IRLML6246 ^{1) 4)} 66 mΩ, 4.1 A, SLL		BSD235N ⁴⁾ 600 mΩ, 0.95 A, SLL, dual
		IRLMS1902 ^{1) 3)} 100mΩ, 3.2 A, SLL			IRLML2502 ^{1) 4)} 80 mΩ, 4.2 A, SLL		
					BSS806N ³⁾ 82 mΩ, 2.3 A, ULL		
					BSS806NE ⁵⁾ 82 mΩ, 2.3 A, ULL, ESD		
					BSS205N ⁴⁾ 85 mΩ, 2.5 A, SLL		
					BSS214N ⁴⁾ 250 mΩ, 1.5 A, SLL		
					IRFML8244 ^{1) 3)} 41 mΩ, 5.8 A, LL		
					IRLML6344 ^{1) 4)} 37 mΩ, 5.0 A, SLL		BSD316SN ³⁾ 280 mΩ, 1.4 A, LL
25 V		IRLMS1503 ^{1) 3)} 200mΩ, 3.2A, LL			IRLML0030 ^{1) 3)} 40 mΩ, 5.3 A, LL		
					IRLML6346 ^{1) 4)} 80 mΩ, 3.4 A, SLL		
					BSS306N ³⁾ 93 mΩ, 2.3 A, LL		
					IRLML2030 ^{1) 3)} 154 mΩ, 2.7 A, LL		
30 V					BSS316N ³⁾ 280 mΩ, 1.4 A, LL		
					IRLML2803 ³⁾ 400 mΩ, 1.2 A, LL		
					IRLML0040 ^{1) 3)} 78 mΩ, 3.6 A, LL		
					BSS670S2L ³⁾ 825 mΩ, 0.54 A, LL		
35 V	IRFL024Z ^{1) 2)} 57.5 mΩ, 5.1 A, NL						
	IRLL2705 ^{1) 3)} 65 mΩ, 3.8 A, LL						
	IRFL4105 ^{1) 2)} 45 mΩ, 3.7 A, NL						
	IRLL024N ^{1) 3)} 100 mΩ, 3.5 A, LL						
	IRLL014N ^{1) 3)} 280 mΩ, 2.0 A, LL						
	IRFL014N ^{1) 2)} 160 mΩ, 1.9 A, NL						
40 V	BSP320S ²⁾ 120 mΩ, 2.9 A, NL	BSP606SN ³⁾ 95 mΩ, 4.5 A, LL	BSS606N ³⁾ 90 mΩ, 3.2 A, LL		IRLML0060 ^{1) 3)} 116 mΩ, 2.7 A, LL	BSS138W ³⁾ 4 Ω, 0.28 A, LL	2N7002DW ³⁾ 4 Ω, 0.3 A, LL, dual
	BSP318S ³⁾ 150 mΩ, 2.6 A, LL				IRLML2060 ^{1) 3)} 640 mΩ, 1.2 A, LL	SN7002W ³⁾ 7.5 Ω, 0.23 A, LL	
	BSP295 ³⁾ 500 mΩ, 1.8 A, LL				2N7002 ^{1) 3)} 4 Ω, 0.3 A, LL		
					BSS138I ^{1) 3)} 4 Ω, 0.23 A, LL		
50 V					BSS138N ³⁾ 4 Ω, 0.23 A, LL		
					SN7002I ^{1) 3)} 7.5 Ω, 0.2 A, LL		
					SN7002N ³⁾ 7.5 Ω, 0.2 A, LL		
					BSS7728N ³⁾ 7.5 Ω, 0.2 A, LL		
					BSS159N ⁴⁾ 8 Ω, 0.13 A, depletion		
					IRLML0100 235 mΩ, 1.6 A, LL		
60 V	BSP373N ²⁾ 240 mΩ, 1.8 A, NL				BSS119N ³⁾ 10 Ω, 0.19 A, LL		
	BSP372N ³⁾ 270 mΩ, 1.8 A, LL				BSS123I ^{1) 3)} 10 Ω, 0.19 A, LL		
	BSP296N ³⁾ 800 mΩ, 1.2 A, LL				BSS123N ³⁾ 10 Ω, 0.19 A, LL		
					BSS169I ^{1) 4)} 12 Ω, 0.09 A, depletion		
75 V					BSS169 ⁴⁾ 12 Ω, 0.09 A, depletion		
100 V	IRFL4315 ^{1) 2)} 185 mΩ, 2.6 A, NL	IRF5802 ^{1) 2)} 1.2 Ω, 0.9 A, NL					
	BSP297 ³⁾ 3 Ω, 0.66 A, LL	IRF5801 ^{1) 2)} 2.2Ω, 0.6 A, NL					
150 V	BSP149 ⁴⁾ 3.5 Ω, 0.14 A, LL, depletion						
	BSP88 ³⁾ 7.5 Ω, 0.35 A, LL		BSS87 ³⁾ 7.5 Ω, 0.26 A, LL		BSS131 ³⁾ 20 Ω, 0.11 A, LL		
200 V	BSP89 ³⁾ 7.5 Ω, 0.35 A, LL						
	BSP129 ⁴⁾ 20 Ω, 0.05 A, LL, depletion						
240 V							
250 V							
300 V	BSP324 ³⁾ 22 Ω, 0.17 A, LL						
	BSP125 ³⁾ 60 Ω, 0.12 A, LL		BSS225 ³⁾ 45 Ω, 0.09 A, LL		BSS127I ^{1) 3)} 600 Ω, 0.021 A, LL		
400 V	BSP135I ^{1) 4)} 60 Ω, 0.02 A, LL, depletion				BSS127 ³⁾ 600 Ω, 0.021 A, LL		
	BSP135 ⁴⁾ 60 Ω, 0.02 A, LL, depletion				BSS126I ^{1) 4)} 700 Ω, 0.021 A, LL, depletion		
					BSS126 ⁴⁾ 700 Ω, 0.021 A, LL, depletion		

www.infineon.com/smallsignal

- 1) not qualified to Automotive AEC-Q101
- 2) R_{DS(on)} specified at 10 V
- 3) R_{DS(on)} specified at 4.5 V
- 4) R_{DS(on)} specified at 2.5 V
- 5) R_{DS(on)} specified at 1.8 V
- 6) R_{DS(on)} specified at 0 V

For more details on the product, click on the part number, visit infineon.com or contact our [product support](#).



Small-signal/small-power P-channel



Voltage [V]	SOT-223	TSOP-6	SOT-89	SC59	SOT-23	SOT-323	SOT-363
P-channel MOSFETs	-250 V	BSP317P ³⁾ 5 Ω, -0.43 A, LL BSP92P ³⁾ 15 Ω, -0.26 A, LL		BSS192P ³⁾ 15 Ω, -0.19 A, LL	BSR92P ³⁾ 13 Ω, -0.14 A, LL		
	-150 V	ISP14EP15LM ³⁾³⁾ 1.4 Ω, -1.29 A, LL					
	-100 V	BSP321P ²⁾ 0.9 Ω, -0.98 A, NL			BSR316P ³⁾ 2.2 Ω, -0.36 A, LL		
		BSP322P ³⁾ 1 Ω, -1.0 A, LL					
		BSP316P ³⁾ 2.3 Ω, -0.68 A, LL					
		ISP16DP10LM ³⁾³⁾ 190 mΩ, -3.9 A, LL					
		ISP98DP10LM ³⁾³⁾ 1.05 Ω, -1.55 A, LL					
	-60 V	ISP20EP10LM ³⁾³⁾ 2.2 Ω, -0.99 A, LL					
		ISP650P06NM ³⁾²⁾ 65 mΩ, -3.7 A, NL			BSR315P ³⁾ 1.3 Ω, -0.62 A, LL	ISS17EP06LM ³⁾³⁾ 2.2 Ω, -0.3 A, LL	BSS84PW ³⁾ 12 Ω, -0.15 A, LL
		ISP12DP06NM ³⁾²⁾ 125 mΩ, -2.8 A, NL					
		ISP13DP06NMS ³⁾²⁾ 125 mΩ, -2.8 A, NL				BSS83P ³⁾ 3 Ω, -0.33 A, LL	
		BSP613P ²⁾ 130 mΩ, -2.9 A, NL				ISS55EP06LM ³⁾³⁾ 7 Ω, -0.18 A, LL	
ISP25DP06NM ³⁾²⁾ 250 mΩ, -1.9 A, NL					BSS84P ³⁾ 12 Ω, -0.17 A, LL		
ISP26DP06NMS ³⁾²⁾ 260 mΩ, -1.9 A, NL							
BSP170P ²⁾ 300 mΩ, -1.9 A, NL							
ISP25DP06LM ³⁾³⁾ 310 mΩ, -1.9 A, LL							
ISP25DP06LMS ³⁾³⁾ 310 mΩ, -1.9 A, LL							
BSP171P ³⁾ 450 mΩ, -1.9 A, LL							
ISP75DP06LM ³⁾³⁾ 1 Ω, -1.1 A, LL							
BSP315P ³⁾ 1.4 Ω, -1.17 A, LL							
-40 V		IRF5803 ¹⁾²⁾ 112 mΩ, -3.4 A, NL					
-30 V		IRF7S9342 ³⁾²⁾ 40 mΩ, -5.8 A, NL			IRLML9301 ³⁾³⁾ 103 mΩ, -1.3 A, LL		BSD314SPE ³⁾ 230 mΩ, -1.5 A, LL, ESD
		BSL307SP ³⁾ 74 mΩ, -5.5 A, LL			BSS308PE ³⁾ 130 mΩ, -2.1 A, LL, ESD		
		BSL308PE ³⁾ 130 mΩ, -2.1 A, LL, dual, ESD			IRLML5203 ³⁾³⁾ 165 mΩ, -3.0 A, LL		
					BSS314PE ³⁾ 230 mΩ, -1.5 A, LL, ESD		
-20 V					BSS315P ³⁾ 270 mΩ, -1.5 A, LL		
					IRLML9303 ³⁾⁴⁾ 270 mΩ, -2.3 A, LL		
					IRLML5103 ³⁾³⁾ 1000mΩ, -0.76A, LL		
		BSL207SP ³⁾ 41 mΩ, -6.0 A, SLL			IRLML2244 ³⁾⁴⁾ 95 mΩ, -4.3 A, SLL	BSS209PW ⁴⁾ 900 mΩ, -0.58 A, SLL	BSV236SP ⁴⁾ 285 mΩ, -1.5 A, SLL
		IRLTS2242 ³⁾⁴⁾ 55 mΩ, -6.9 A, SLL			IRLML6402 ³⁾⁴⁾ 135 mΩ, -3.7 A, SLL	BSS223PW ⁴⁾ 2.1 Ω, -0.39 A, SLL	BSD223P ⁴⁾ 2.1 Ω, -0.39 A, SLL, dual
-12 V		IRLMS6802 ³⁾⁴⁾ 100 mΩ, -5.6 A, SLL			IRLML2246 ³⁾⁴⁾ 236 mΩ, -2.6 A, SLL		
		BSL211SP ⁴⁾ 110 mΩ, -4.7 A, SLL			BSS215P ⁴⁾ 280 mΩ, -1.5 A, SLL		
		IRLMS6702 ³⁾³⁾ 200 mΩ, -2.4 A, SLL			IRLML6302 ³⁾³⁾ 600 mΩ, -0.78 A, SLL		
				IRLML6401 ⁴⁾ 125 mΩ, -4.3 A, ULL			

Small-signal/small-power complementary



Voltage [V]	TSOP-6	SOT-363	
Complementary	-20/20	BSL215C ⁴⁾ N: 250 mΩ, 1.5 A, SLL P: 280 mΩ, -1.5 A, SLL	BSD235C ⁴⁾ N: 600 mΩ, 0.95 A, SLL P: 2.1 Ω, -0.53 A, SLL
	-30/30	BSL308C ³⁾ N: 93 mΩ, 2.3 A, LL P: 130 mΩ, -2.0 A, LL	
	BSL316C ³⁾ N: 280 mΩ, 1.4 A, LL P: 270 mΩ, -1.5 A, LL		

www.infineon.com/smallsignal

www.infineon.com/small power

1) not qualified to Automotive AEC-Q101
2) R_{DS(on)} specified at 10 V
3) R_{DS(on)} specified at 4.5 V

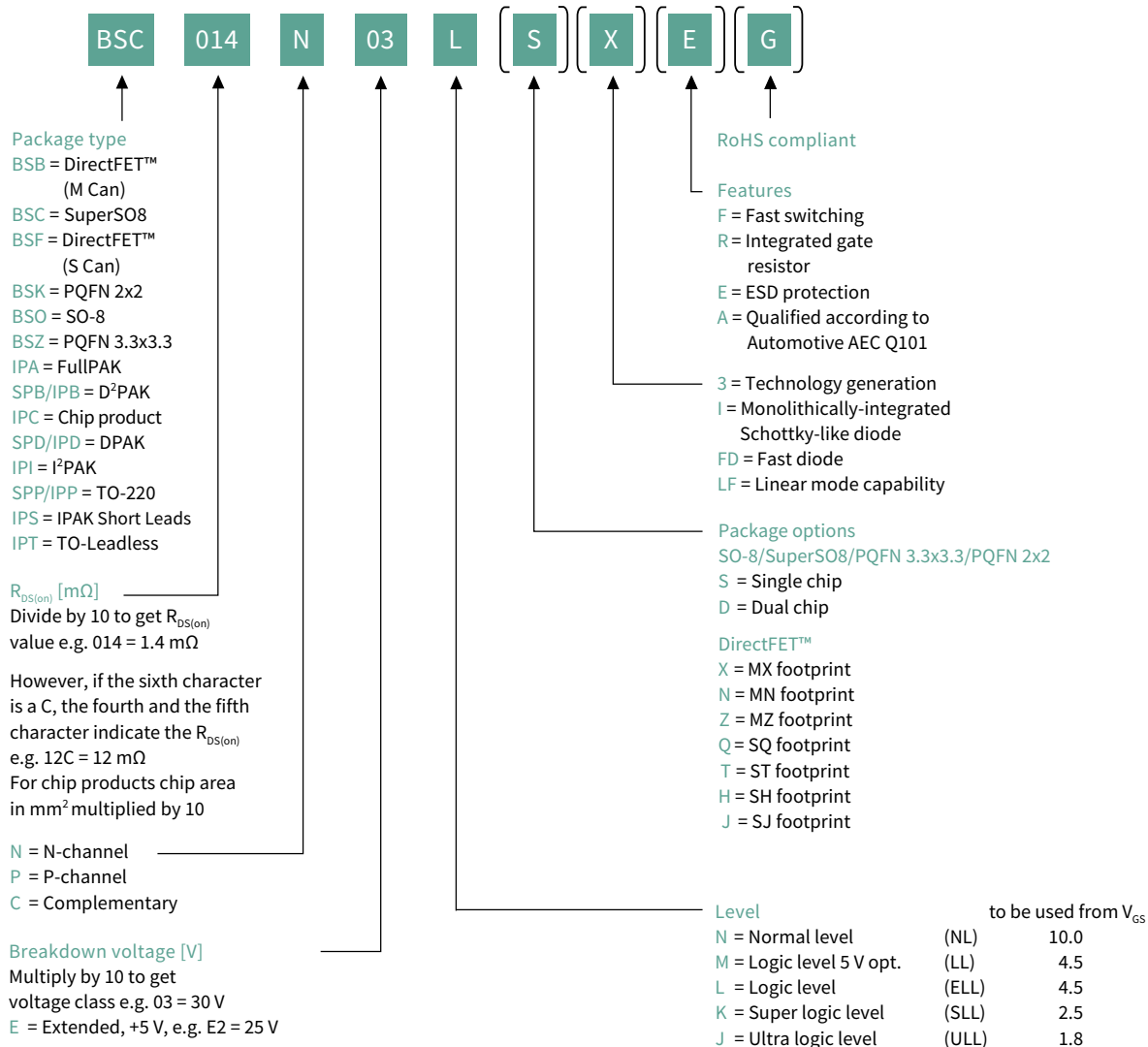
4) R_{DS(on)} specified at 2.5 V
5) R_{DS(on)} specified at 1.8 V
6) R_{DS(on)} specified at 0 V

For more details on the product, click on the part number, visit infineon.com or contact our [product support](#).

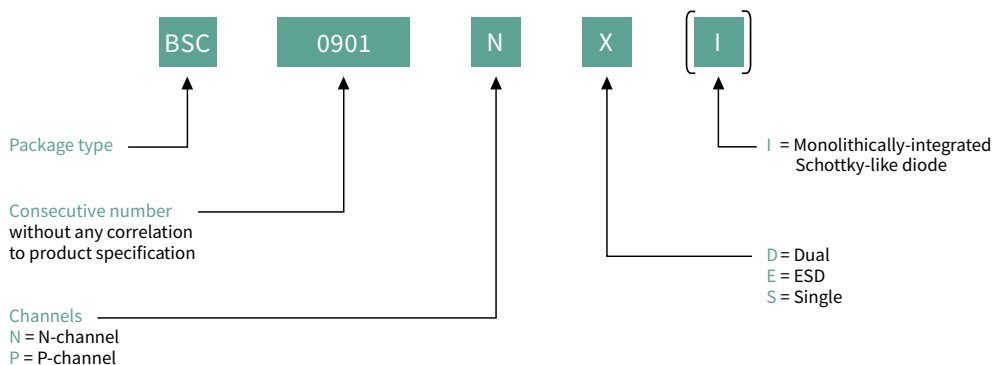


Nomenclature

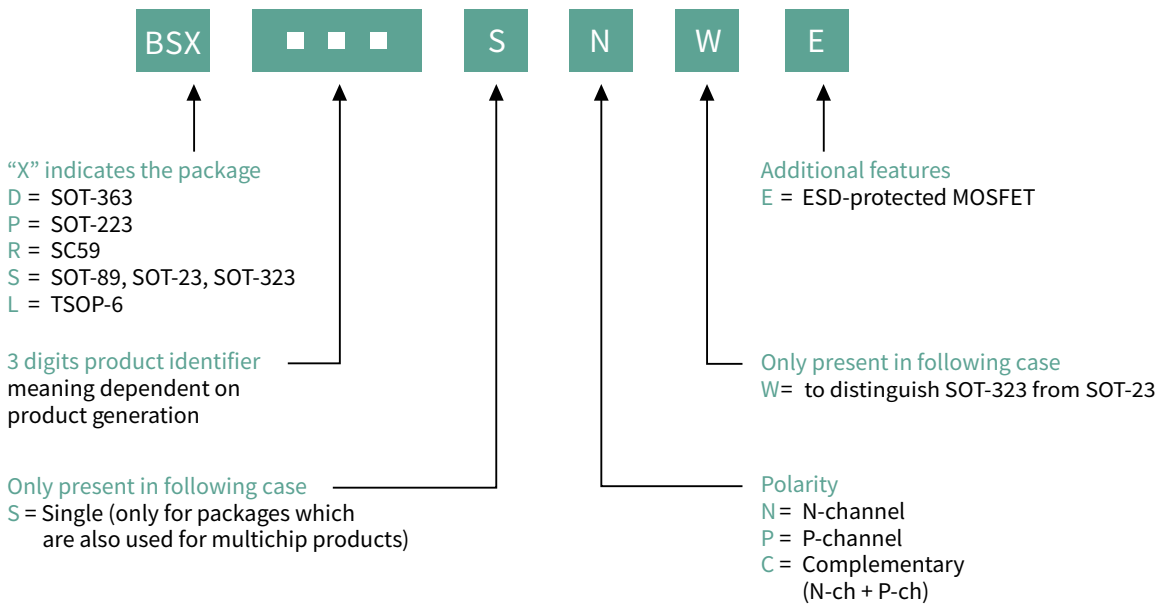
OptiMOS™



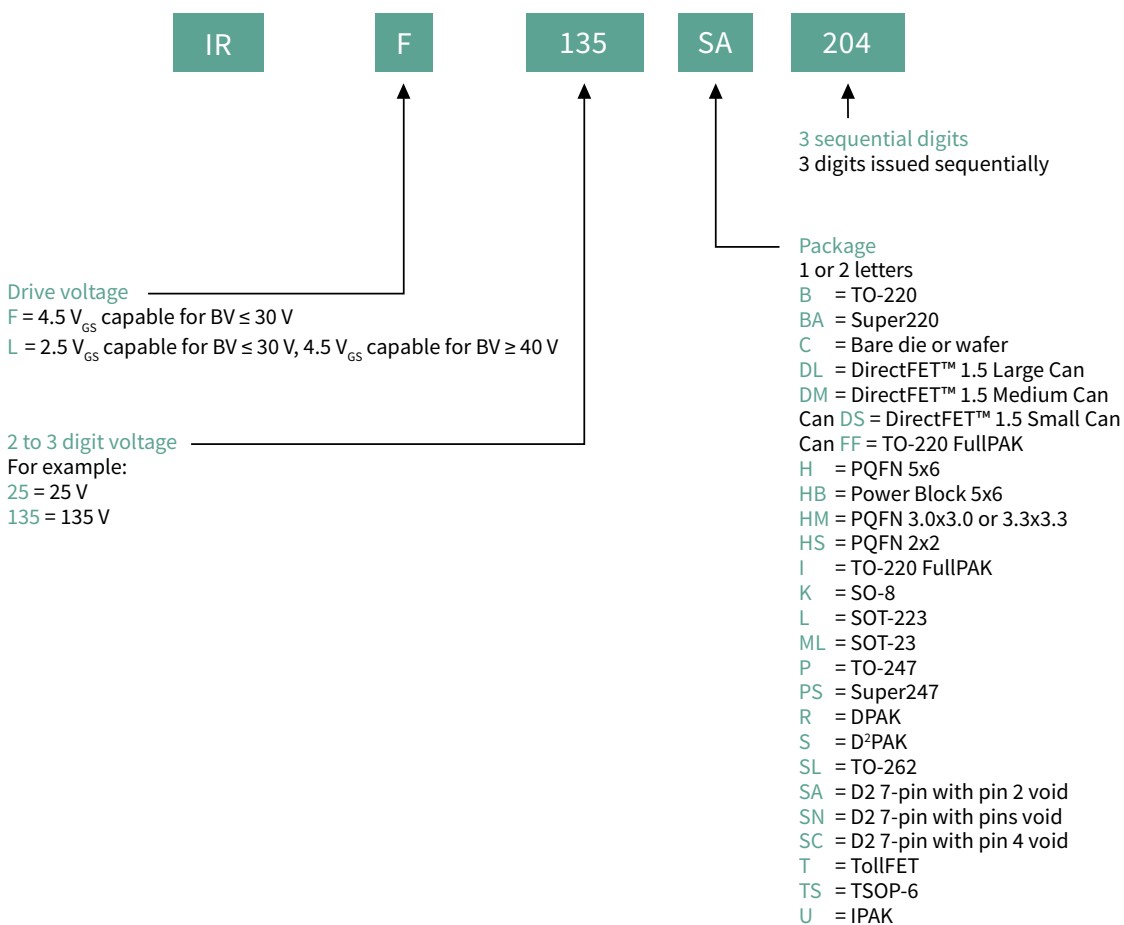
OptiMOS™ 30 V



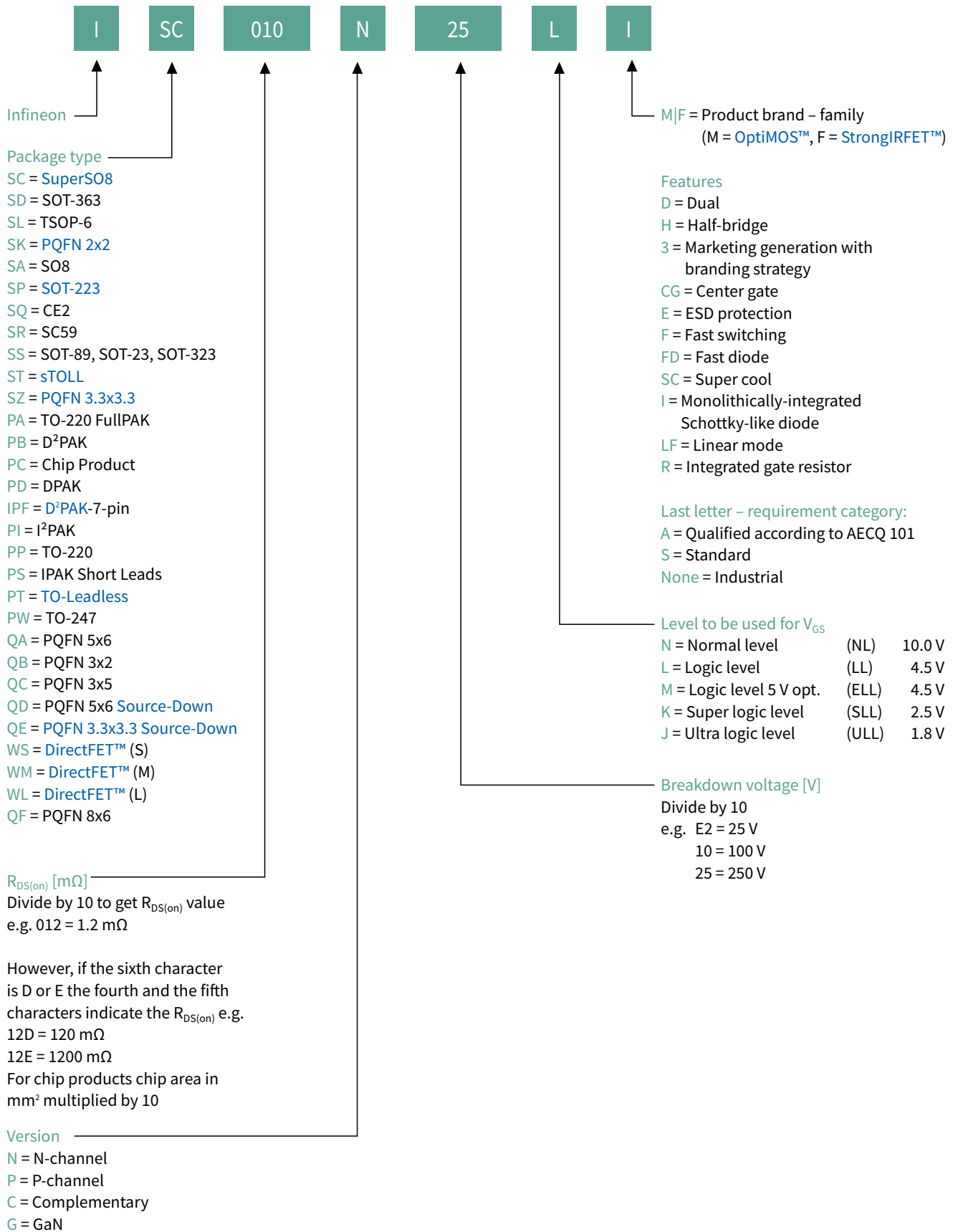
Small signal



StrongIRFET™ (from May 2015 to 2019)



New nomenclature for OptiMOS™ and StrongIRFET™ MOSFETs (2019 onward)





Infineon support for low voltage MOSFETs

Useful links and helpful information

Further information, data sheets and documents

www.infineon.com/powermosfet-12V-300V
www.infineon.com/smallsignal
www.infineon.com/pchannel
www.infineon.com/depletion
www.infineon.com/complementary

MOSFET Cross Reference

www.infineon.com/cms/en/product/search/cross-reference

Evaluation boards and simulation models

www.infineon.com/powermosfet-simulationmodels

Die support

www.infineon.com/baredie

MOSFET Community

community.infineon.com/t5/Power-MOSFET/bd-p/MOSFET

For more information regarding **StrongIRFET™** and **OptiMOS™** power MOSFET bare die products, please contact the Infineon **Service Center** or your local sales counterpart.



Solutions and Applications
20-300 V MOSFETs
500-950 V MOSFETs
Gate-driver ICs
Digital isolators
IGBT discretes and silicon power diodes
Intelligent power switches and modules
Microcontrollers
Power management ICs
WBG semiconductors
Sensors
Packages



500-950 V MOSFETs

- › CoolMOS™ SJ MOSFETs
- › 950 V CoolMOS™ P7 SJ MOSFETs
- › 800 V CoolMOS™ P7 SJ MOSFETs
- › 700 V CoolMOS™ P7 SJ MOSFETs
- › 600 V CoolMOS™ P7 SJ MOSFETs
- › 600 V CoolMOS™ PFD7 SJ MOSFETs
- › 600 V and 650 V CoolMOS™ C7 and 600 V C7 Gold (G7) SJ MOSFETs
- › 600 V CoolMOS™ S7 SJ MOSFETs
- › 650 V CoolMOS™ CFD7 SJ MOSFETs
- › CoolMOS™ CE SJ MOSFETs
- › CoolMOS™ SJ MOSFETs for automotive
- › CoolMOS™ SJ MOSFET package innovations
- › 500-950 V MOSFETs product portfolio
- › 500-950 V MOSFETs nomenclature

Dear users!

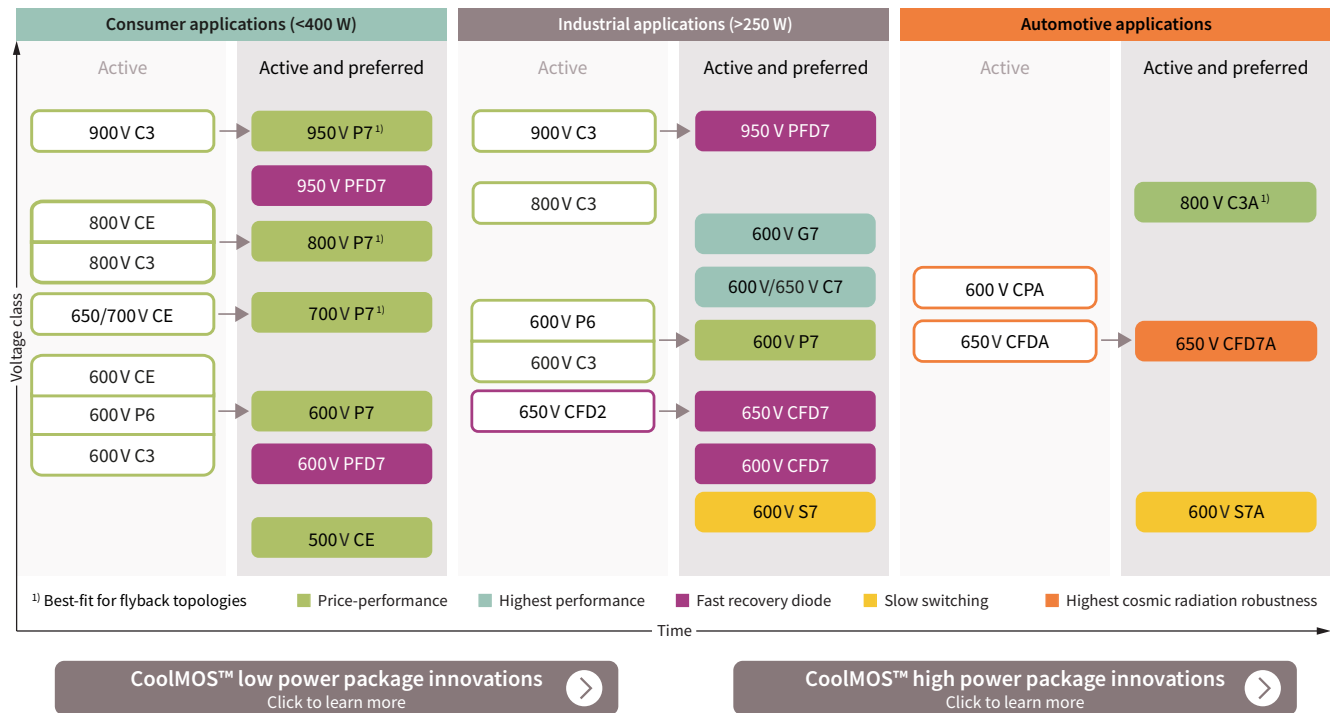
Our customers are at the heart of everything we do. Please give us feedback on how we can improve to meet your expectations with this document the best.



CoolMOS™ SJ MOSFETs

Trusted leader in high-voltage MOSFETs

Infiniteon's CoolMOS™ products offer a significant reduction of conduction, switching and driving losses, and enable high power density as well as efficiency for superior power conversion systems.



High-voltage superjunction MOSFETs address consumer applications, such as home appliance drives, smartphone/tablet chargers, notebook adapters, LED lighting, PC power, as well as audio and TV power supplies. Customers are increasingly replacing standard MOSFETs with superjunction MOSFETs to benefit from higher efficiency and lower power consumption for end users. CoolMOS™ P7 sets a benchmark by offering high performance and competitive price all at once. The CoolMOS™ PFD7 series is a state-of-the-art solution for high density chargers/adapters as well as home appliance drives (e.g., refrigerator compressors).

Also for industrial applications such as server, telecom, PC power, solar, UPS, EV-charging and others, Infineon's latest CoolMOS™ 7 superjunction MOSFETs with the C7, G7, CFD7, P7 and S7 product families offer what you need - from highest efficiency to best price performance. Complementary to the silicon CoolMOS™ portfolio, Infineon offers a broad wide bandgap (WBG) portfolio of CoolGaN™ HEMTs and CoolSiC™ MOSFETs to further optimize efficiency and system cost (see [Wide bandgap semiconductors](#)).

Infineon's industrial- and consumer-qualified CoolMOS™ superjunction MOSFET offering is complemented by the automotive qualified series 600 V CPA, 650 V CFDA, 800 V C3A and the latest 650 V CFD7A as well as 600 V S7A. Infineon's excellent-performing automotive series address on-board chargers, DC-DC converters, active pre-charge and discharge function, insulation monitor, HV eFuse, and HV eDisconnect with proven outstanding quality standards going well beyond the AEC-Q101, supporting customers to gain momentum in the rapidly growing xEV market.

www.infineon.com/coolmos

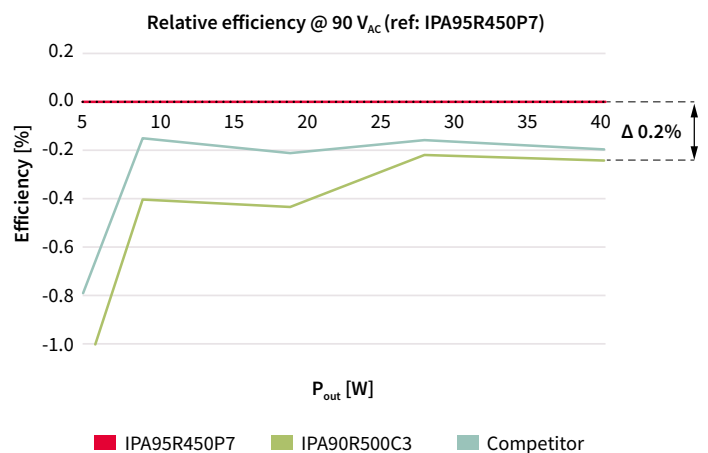
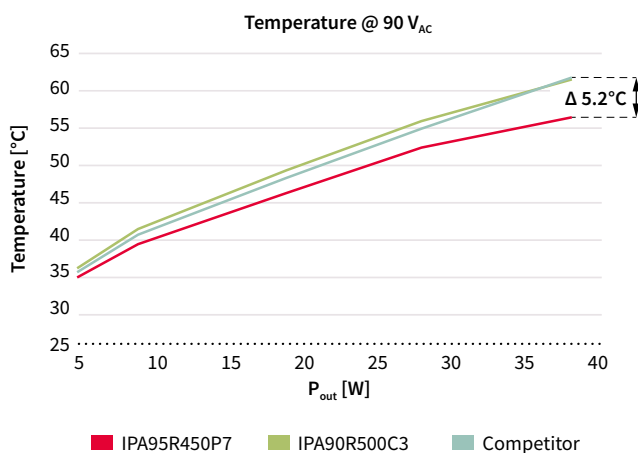
For more details on the product, click on the part number, visit infineon.com or contact our [product support](#).



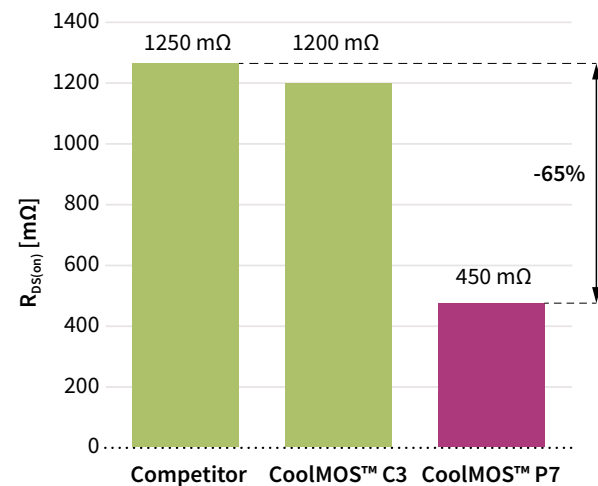
950 V CoolMOST™ P7 SJ MOSFETs

Perfect fit for PFC and flyback topologies

Designed to meet the growing consumer needs in the high-voltage MOSFETs arena, the 950 V CoolMOST™ P7 technology focuses on the low-power SMPS market. The P7 family addresses applications ranging from lighting, smart meter, mobile phone charger, notebook adapter, to AUX power supply and industrial SMPS. Offering 50 V more blocking voltage than its predecessor 900 V CoolMOST™ C3, the 950 V CoolMOST™ P7 series delivers outstanding performance in terms of efficiency, thermal behavior, and ease of use. As all other P7 family members, the 950 V CoolMOST™ P7 series comes with an integrated Zener diode ESD protection. The integrated diode considerably improves ESD robustness, thus reducing ESD-related yield loss and reaching exceptional ease-of-use levels. CoolMOST™ P7 is developed with a best-in-class threshold voltage ($V_{GS(th)}$) of 3 V and a narrow tolerance of only ± 0.5 V, which makes it easy to drive and design-in.



Compared to competition, the 950 V CoolMOST™ P7 delivers best-in-class efficiency and thermal performance. Plug-and-play at 90 V_{AC} in a 40 W adapter reference design, featuring the snubberless concept, demonstrates excellent efficiency gains of up to 0.2 percent and lower MOSFET temperature of up to 5.2°C compared to similar competitor technology. With over 20 years of experience in superjunction technology, Infineon introduces 950 V CoolMOST™ P7 with best-in-class DPAK on-resistance ($R_{DS(on)}$). This SMD device comes with the $R_{DS(on)}$ of 450 mΩ - more than 60 percent lower $R_{DS(on)}$ compared to the nearest competitor. Such low $R_{DS(on)}$ value enables higher density designs while decreasing BOM and assembly cost.



Best-in-class DPAK $R_{DS(on)}$

Customer benefits:

- > Possible change from leaded to SMD packages
- > High power density
- > Lower BOM cost
- > Lower production cost

www.infineon.com/950v-p7



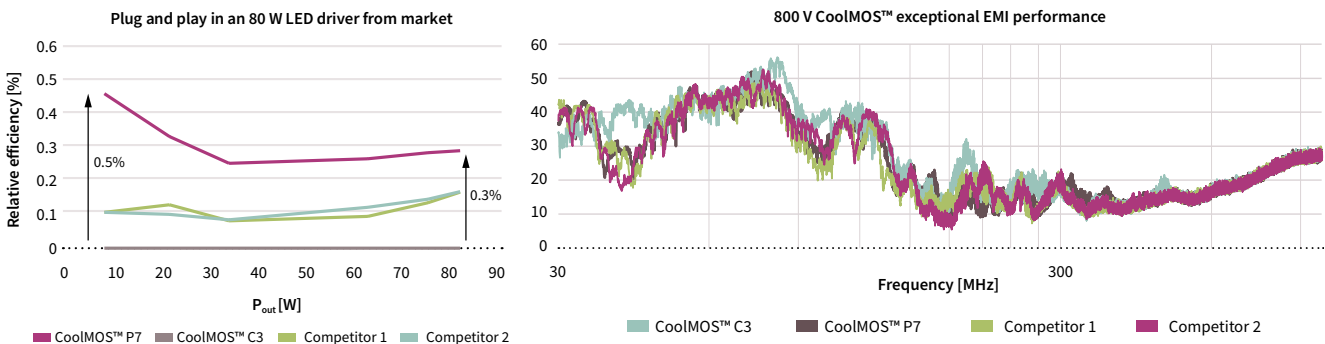
For more details on the product, click on the part number, visit infineon.com or contact our [product support](#).

800 V CoolMOST™ P7 SJ MOSFETs

A benchmark in efficiency and thermal performance

With the **800 V CoolMOST™ P7** series, Infineon sets a benchmark in 800 V superjunction technologies and combines best-in-class performance with the remarkable ease of use. This product family is a perfect fit for flyback-based consumer and industrial SMPS applications. In addition, it is also suitable for PFC stages within consumer, as well as solar applications, fully covering the market needs in terms of its price/performance ratio.

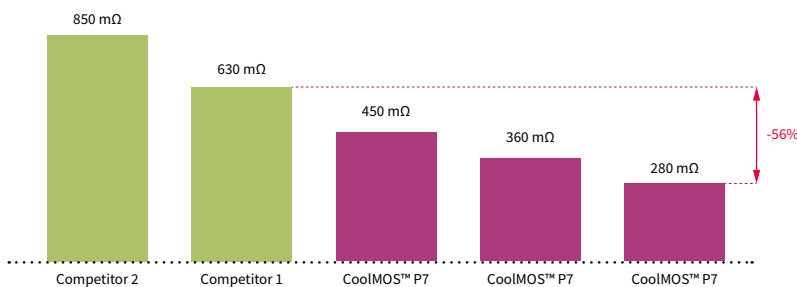
The technology offers fully optimized key parameters to deliver best-in-class efficiency as well as thermal performance. As demonstrated on an 80 W LED driver, bought on the market, the >45 percent reduction in switching losses (E_{oss}) and output capacitance (C_{oss}) as well as the significant improvement in input capacitance (C_{iss}) and gate charge (Q_G), compared to competitor technologies, lead to 0.5 percent higher efficiency at light load which helps to reduce standby power in the end application. At full load, the observed improvement is up to 0.3 percent higher efficiency and 6°C lower device temperature.



EMI is a system level topic, and the optimization needs to be done on the system level only. Nevertheless, a pure plug-and-play measurement on Infineon's 45 W adapter reveals that **800 V CoolMOST™ P7** shows similar EMI performance to Infineon's previous technologies as well as to competitors' technologies.

Compared to competition, the **800 V CoolMOST™ P7** technology allows to integrate much lower $R_{DS(on)}$ values into small packages, such as a DPAK. This finally enables high power density designs at highly competitive price levels.

Overview of lowest DPAK $R_{DS(on)}$ for 800 V superjunction MOSFET



CoolMOST™ P7 sets a new benchmark in best-in-class DPAK $R_{DS(on)}$

Customer benefits:

- High power density
- Lower BOM cost
- Lower production cost

The complete P7 platform has been developed with an integrated Zener diode that is used as an electrostatic discharge (ESD) protection mechanism, which increases the overall device ruggedness up to human body model (HBM) class 2 level.

www.infineon.com/800V-p7



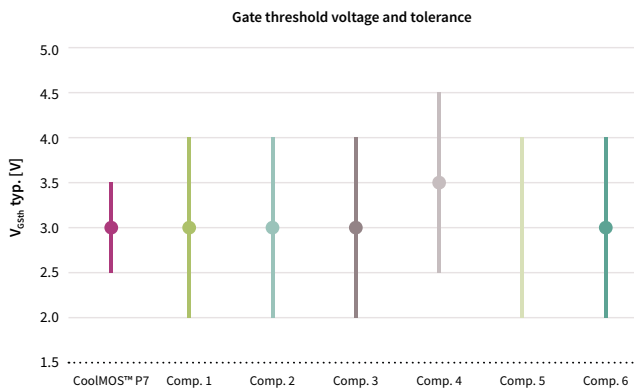
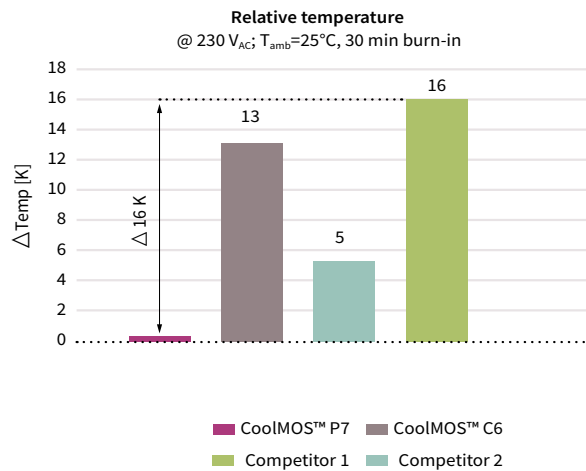
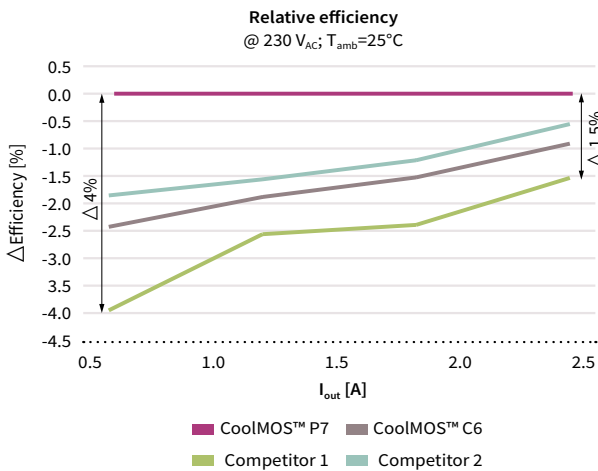
For more details on the product, click on the part number, visit infineon.com or contact our [product support](#).



700 V CoolMOS™ P7 SJ MOSFETs

Infiniteon's solution for flyback topologies

The 700 V CoolMOS™ P7 family has been developed to serve today's and, especially, tomorrow's trends in flyback topologies. The products address the low-power SMPS market, mainly focusing on mobile phone chargers and notebook adapters, but are also suitable for power supplies, used within lighting applications, home entertainment (TV, game consoles or audio), and auxiliary power supplies. 700 V CoolMOS™ P7 achieves outstanding efficiency gains of up to 4 percent and a decrease in device temperature of up to 16 K compared to the competition. In contrast with the previous 650 V CoolMOS™ C6 technology, 700 V CoolMOS™ P7 offers 2.4 percent gain in efficiency and 12 K lower device temperature, measured at a flyback-based charger application, operated at 140 kHz switching speed.



Keeping the ease of use in mind, Infineon has developed the technology with a low threshold voltage ($V_{GS(th)}$) of 3 V and a very narrow tolerance of ± 0.5 V. This makes the CoolMOS™ P7 easy to design-in and enables the usage of lower gate source voltage, which facilitates its driving and leads to lower idle losses. To increase the ESD ruggedness up to HBM class 2 level, 700 V CoolMOS™ P7 has an integrated Zener diode. This helps to support increased assembly yield, leads to reduction of production related failures and, finally, manufacturing cost savings on customer side.

Features and benefits

Key features
<ul style="list-style-type: none"> Highly performant technology <ul style="list-style-type: none"> Low switching losses (E_{oss}) Highly efficient Excellent thermal behavior Allowing high-speed switching Integrated protection Zener diode Optimized $V_{GS(th)}$ of 3 V with very narrow tolerance of ± 0.5 V Finely graduated portfolio

Key benefits
<ul style="list-style-type: none"> Cost-competitive technology Further efficiency gain at higher switching speed Supporting less magnetic size with lower BOM costs High ESD ruggedness up to HBM class 2 level Easy to drive and design-in Enabler for smaller form factors and high power density designs Excellent choice in selecting the best-fitting product

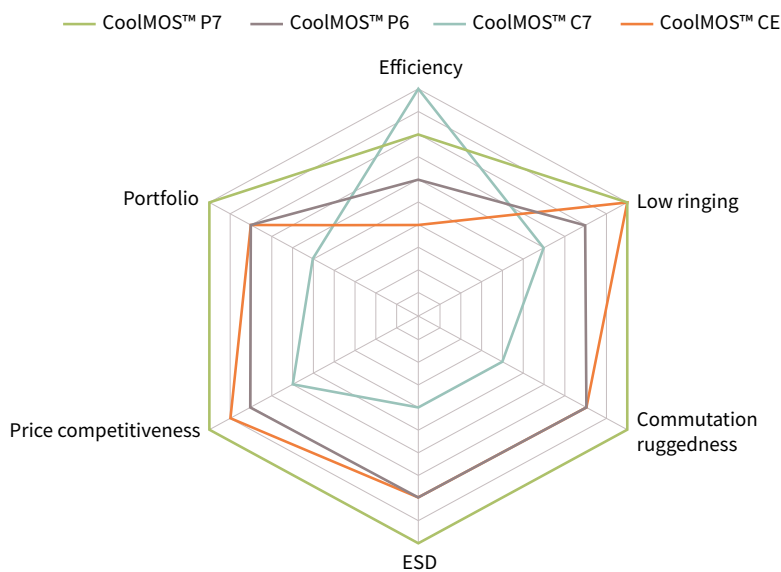


600 V CoolMOS™ P7 SJ MOSFETs

Perfect combination of high efficiency and ease of use

The **600 V CoolMOS™ P7** is a general purpose series, targeting a broad variety of applications, ranging from low-power SMPS up to the highest power levels. In the low-power arena, it is the successor of the 600 V **CoolMOS™ CE**, and for high-power SPMS applications, it is the replacement for the **600 V CoolMOS™ P6**, which makes it the perfect choice for applications such as chargers, adapters, lighting, TV and PC power supplies, solar, small light electric vehicles, server and telecom power supplies, and electric vehicle (EV) charging.

The **600 V CoolMOS™ P7** is Infineon's most well-balanced **CoolMOS™** technology in terms of combining ease of use and excellent efficiency performance. Compared to its predecessors, it offers higher efficiency and improved power density due to the significantly reduced gate charge (Q_G) and switching losses (E_{OSS}) levels, as well as optimized on-state resistance ($R_{DS(on)}$). The carefully selected integrated gate resistors enable very low ringing tendency and, thanks to its outstanding robustness of body diode against hard commutation, it is suitable for hard as well as soft-switching topologies, such as LLC. In addition, an excellent ESD capability helps to improve the quality in manufacturing. The **600 V CoolMOS™ P7** family offers a wide range of on-resistance ($R_{DS(on)}$)/package combinations, including THD, as well as SMD devices, at an $R_{DS(on)}$ granularity from 24 to 600 mΩ and comes along with the most competitive price/performance ratio of all 600 V **CoolMOS™** offerings.



Features and benefits

Key features
› Suitable for hard and soft switching (PFC and LLC) due to an outstanding commutation ruggedness
› Optimized balance between efficiency and ease of use
› Significant reduction of switching and conduction losses leading to low MOSFET temperature
› Excellent ESD robustness >2 kV (HBM) for all products
› Better $R_{DS(on)}$ /package products compared to competition
› Large portfolio with granular $R_{DS(on)}$ selection qualified for a variety of industrial and consumer applications

Key benefits
› Ease of use and fast design-in through low ringing tendency and usage across PFC and PWM stages
› Improved efficiency and simplified thermal management due to low switching and conduction losses
› Higher manufacturing quality due to >2 kV ESD protection
› Increased power density solutions enabled by using products with smaller footprint
› Suitable for a wide variety of applications and power ranges

www.infineon.com/600V-p7



For more details on the product, click on the part number, visit infineon.com or contact our [product support](#).

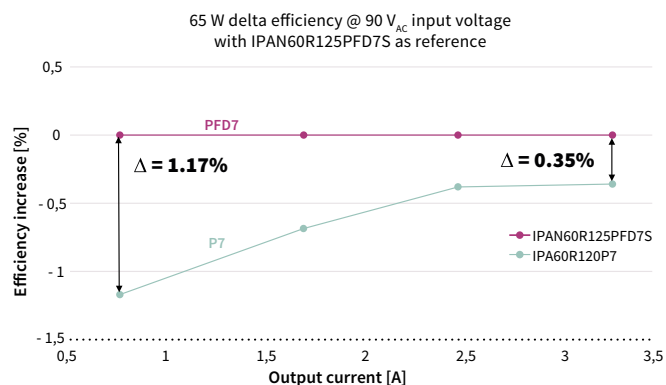
600 V CoolMOST™ PFD7 SJ MOSFETs

The next level for ultrahigh power density designs and energy-efficient home appliance drives

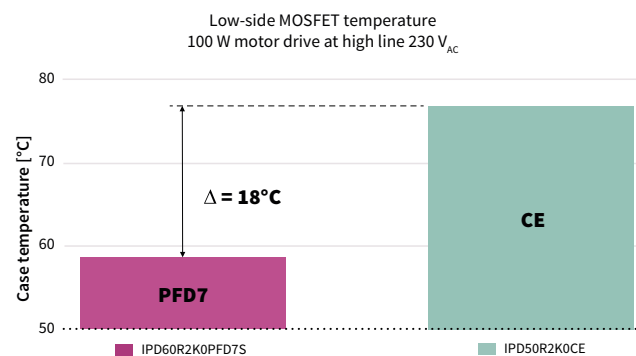
The 600 V CoolMOST™ PFD7 MOSFET series sets a new benchmark in 600 V superjunction (SJ) technologies, shaped by Infineon's experience of more than 20 years in pioneering in superjunction technology innovation. The series combines best-in-class performance with state-of-the-art ease of use and features an integrated fast body diode ensuring a robust device and in turn reduced BOM for the customer. This product family offers up to 1.17 percent efficiency increase compared to the CoolMOST™ P7 technologies, which leads to a power density increase of 1.8 W/in³.

CoolMOST™ PFD7 pushes the SJ MOSFET technology to new limits leading to outstanding improvement of lower conduction and charge/discharge losses as well as a reduced turn-off and gate-driving losses.

A broad range of $R_{DS(on)}$ values in combination with a variety of packages helps in selecting the right part to optimize designs. Furthermore, an integrated ESD protection of up to 2 kV eliminates ESD-related yield loss. Infineon's industry-leading SMD package offering contributes to bill-of-material and PCB space savings and simplifies manufacturing. This unique set of product features and their resulting benefits, position the CoolMOST™ PFD7 superjunction MOSFET family exceptionally well for ultrahigh density applications like chargers and adapters, USB power delivery but also for home appliance drives (e.g. refrigerator compressors) and specific lighting SMPS applications.



600 V CoolMOST™ PFD7 increases efficiency in light- and full-load conditions. This results in a power density increase of 1.8 W/in³ for ultrahigh power chargers and adapters.



600 V CoolMOST™ PFD7 provides up to 2 percent higher efficiency at 100 W, which results in an 18°C thermal improvement. Its excellent commutation ruggedness makes it the perfect fit for low-power drives.

Features and benefits

Key features
> Very low FOM $R_{DS(on)} \times E_{oss}$
> Integrated robust fast body diode
> Ultra-low Q_{rr} and industry's fastest recovery time (T_{rr})
> Up to 2 kV ESD protection (HBM class 2)
> Wide range of $R_{DS(on)}$ values and broad package portfolio
> Excellent commutation ruggedness

Key benefits
> Minimized switching losses
> Power density improvement compared to latest CoolMOST™ charger technology
> Increased efficiency (especially at light-load operation) and improved thermal behavior compared to CoolMOST™ CE technology for home appliance motor drives
> BOM cost reduction and easy manufacturing
> Robustness and reliability
> Easy to select right parts for design fine-tuning

www.infineon.com/600V-PFD7

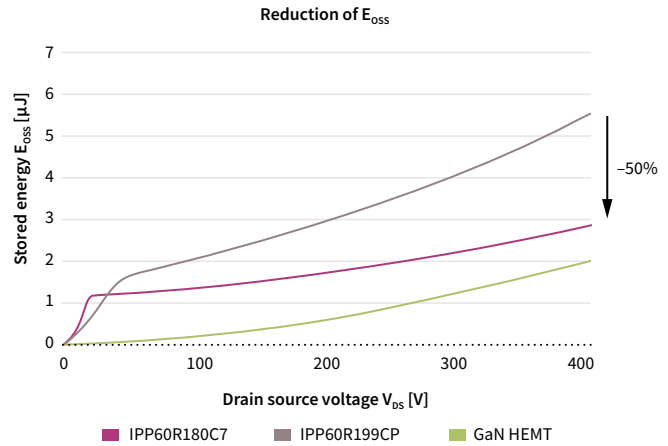


For more details on the product, click on the part number, visit infineon.com or contact our [product support](#).

600 V and 650 V CoolMOS™ C7 and 600 V C7 Gold (G7) SJ MOSFETs

Infiniteon's superjunction MOSFET series for highest efficiency

The 600 V and 650 V CoolMOS™ C7 and 600 V C7 Gold (G7) superjunction MOSFET series are designed to achieve record level efficiency performance – they offer substantial efficiency benefits over the whole load range in hard-switching applications compared to previous series and competition. This is achieved by minimizing switching losses via ultralow levels of switching losses (E_{oss}) (approximately 50 percent reduction compared to the CoolMOS™ CP), reduced gate charge (Q_G) and a careful balance of other relevant product key parameters. The low E_{oss} and Q_G also enable operation at higher switching frequency and related size reduction of the circuit magnetics.



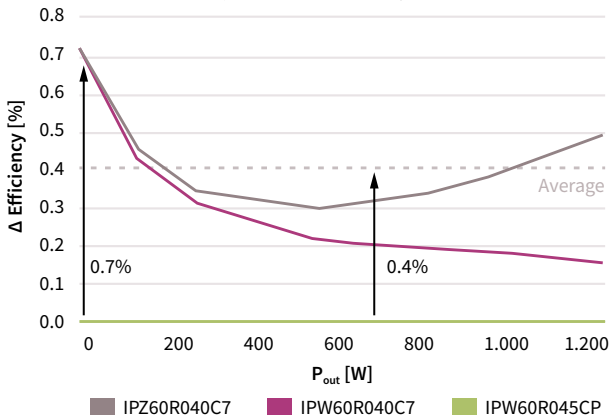
The outstanding figures of merit (FOM) and the best-in-class on-state resistance ($R_{DS(on)}$) offerings make the CoolMOS™ C7 and C7 Gold series key enablers for highest efficiency and power density. While the 650 V CoolMOS™ C7 and 600 V C7 Gold (G7) superjunction MOSFETs are solely designed for hard-switching applications such as PFC, the 600 V version is also well suited for high-end LLC stages due to its rugged body diode that withstands slew rates up to 20 V/ns. The product portfolio contains TO-247 4-pin, ThinPAK 8x8, TO-Leadless and top-side cooled Double DPAK (DDPAK) packages which come with additional Kelvin source contacts enabling further efficiency advantages over the classical 3-pin approach.

Features and benefits

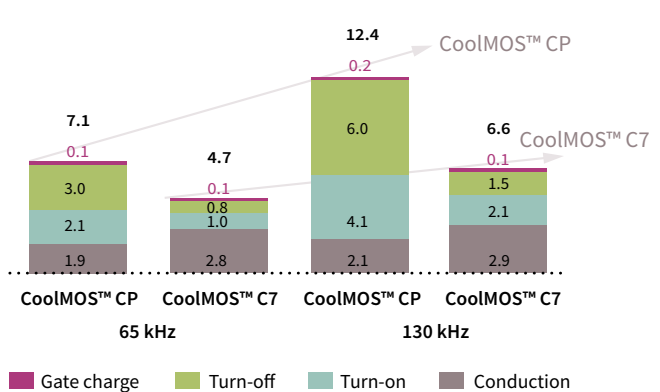
Key features
Reduced switching loss parameters such as Q_G and C_{oss} , enabling higher switching frequency
50 percent E_{oss} reduction compared to older CoolMOS™ CP
Suitable for hard-switching topologies (650 V and 600 V)
Suitable for high-end resonant (600 V only) topologies

Key benefits
Increased efficiency in hard-switching topologies such as PFC and TTF
Reduced size and cost of magnetic components by increased switching frequency (e.g. 65 -130 kHz)
Increased power density by smaller packages for the same $R_{DS(on)}$

PFC CCM 1200 W efficiency difference for 90 V_{Ac} (PFC CCM, 1.150 W @ 65 kHz)



MOSFET losses [W]
IPW60R045CP vs. IPZ60R060C7, highline 2.5 kW



www.infineon.com/c7

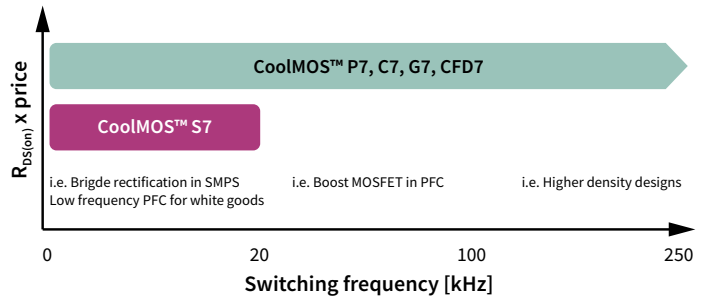


For more details on the product, click on the part number, visit infineon.com or contact our [product support](#).

600 V CoolMOST™ S7 SJ MOSFETs

The best price/performance SJ MOSFET for low frequency switching applications

The 600 V CoolMOST™ S7 superjunction MOSFET is the perfect fit for applications where MOSFETs are switched at low frequency, such as active bridge rectification, inverter stages, in-rush relays, PLCs, power solid state relays and solid state circuit breakers. The new MOSFET design with the best conduction performance allows the CoolMOST™ S7 to offer cost-optimized distinctively low on-resistance ($R_{DS(on)}$) values, ideally suited for applications looking to minimize conduction losses at the best price.



The CoolMOST™ S7 leads the way for power density, uniquely fitting a 22 mΩ $R_{DS(on)}$ chip into an innovative small TO-Leadless (TOLL) SMD package.

Use cases

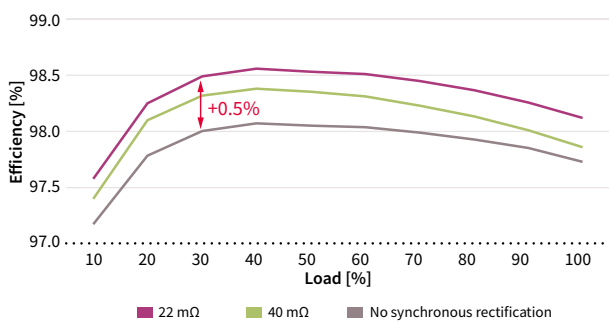
Typically, CoolMOST™ S7 is used in active rectification bridges, where diodes are replaced or paralleled with MOSFETs, obtaining an increase in efficiency without the need for extensive system redesign. In this application, the TO-leadless (TOLL) package in low $R_{DS(on)}$ allows the most efficient and compact modular design based on daughter cards. The CoolMOST™ S7 delivers also tremendous value to solid state relay (SSR) and solid state circuit breaker (SSCB) designs, by bringing the superjunction MOSFET advantages to a system level cost comparable to other silicon alternatives. In addition, any socket or topology switching at low frequency can greatly benefit from the leading low $R_{DS(on)} \times \text{price}$.

Features and benefits

Key features
> Best-in-class $R_{DS(on)}$ in SMD packages
> Optimized for conduction performance, reaching the lowest $R_{DS(on)}$ values
> High pulse current capability
> Improved thermal resistance

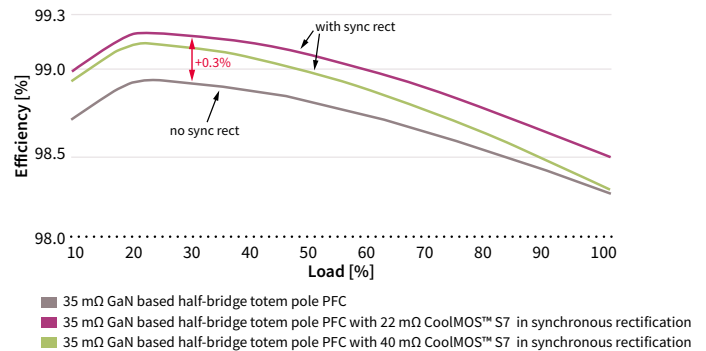
Key benefits
> Minimizes conduction losses
> An easy step into Titanium level SMPS
> Modular, more compact and easier designs
> Eliminates or reduces heat sink in solid state relays and circuit breakers
> Lower TCO cost or BOM cost

Efficiency in 2400 W PFC at $V_{in} = 230 V_{AC}$ Difference between using or not using the active-bridge rectification



CoolMOST™ S7 brings more efficiency to power supplies when used in an active rectification bridge.

3 kW GaN-based totem pole PFC efficiency calculation with and without synchronous rectification when $V_{in} = 230 V_{AC}$, $V_{out} = 400 V$, $f_{sw} = 65 \text{ kHz}$



CoolMOST™ S7 is the perfect complement for CoolSiC™ MOSFETs and CoolGaN™ GIT HEMTs in totem pole PFC topologies.

www.infineon.com/s7



For more details on the product, click on the part number, visit infineon.com or contact our [product support](#).

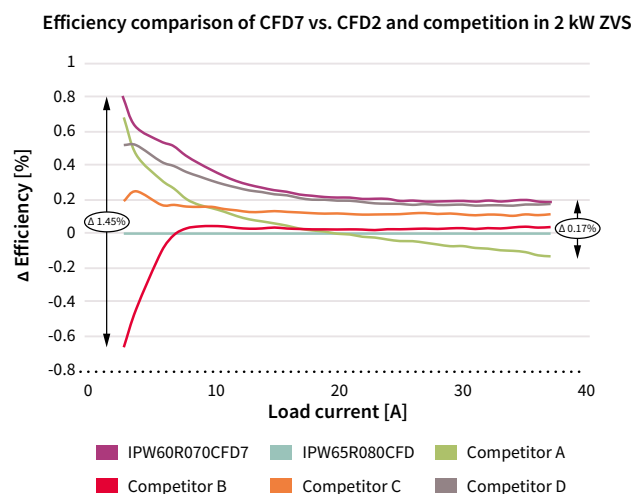
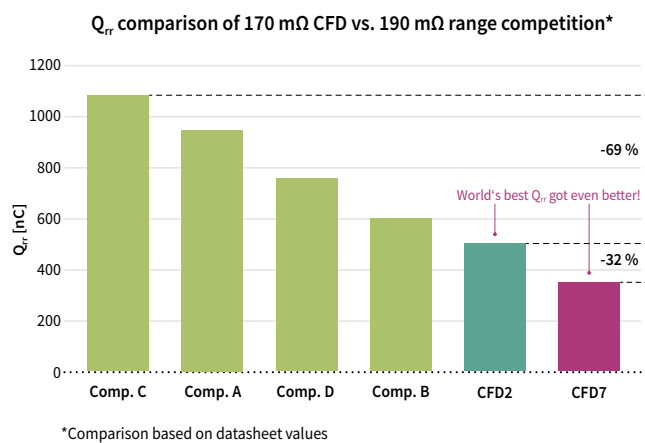
600 V CoolMOS™ CFD7 SJ MOSFETs

Infiniteon's solution for resonant switching high-power applications

The 600 V CoolMOS™ CFD7 is one of Infineon's high-voltage superjunction MOSFET series with an integrated fast body diode. It is the ideal choice for resonant topologies, such as LLC and ZVS PSFB, and targets the high SMPS market.

As a result of significantly reduced gate charge (Q_G), improved turn-off behavior, a reverse recovery charge (Q_{rr}) of up to 69 percent lower compared to the competition, as well as the lowest reverse recovery time (t_{rr}) in the market, it combines the highest efficiency and best-in-class reliability in soft-switching applications, without sacrificing the easy implementation in the design-in process.

In addition, the 600 V CoolMOS™ CFD7 enables higher power density solutions by offering the best-in-class on-state resistance ($R_{DS(on)}$) package combinations in through-hole devices, as well as in surface mount devices. In ThinPAK 8x8 and TO-220 with CoolMOS™ CFD7, a $R_{DS(on)}$ of around 30 percent below the next best competitor offering can be achieved. All this together makes CoolMOS™ CFD7 the perfect fit for server and telecom applications, and it is also suitable for EV-charging stations.



Features and benefits

Key features
> Ultrafast body diode
> Best-in-class reverse recovery charge (Q_{rr})
> Improved reverse diode dv/dt and dif/dt ruggedness
> Lowest figure of merit ($R_{DS(on)} \times Q_G \times E_{oss}$)
> Best-in-class $R_{DS(on)}$ /package combinations

Key benefits
> Best-in-class hard commutation ruggedness
> Highest reliability for resonant topologies
> Highest efficiency with outstanding ease of use/performance trade-off
> Enabling increased power density solutions

www.infineon.com/cfd7



For more details on the product, click on the part number, visit infineon.com or contact our [product support](#).

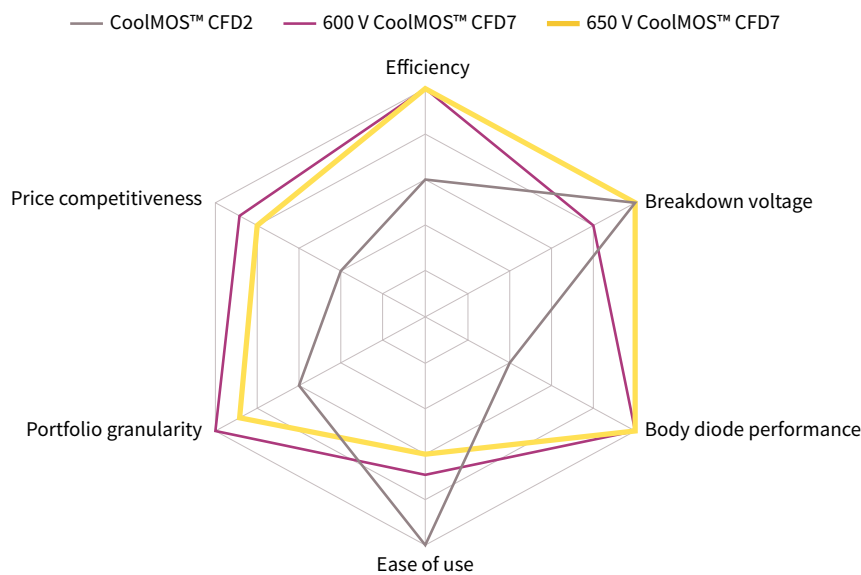
650 V CoolMOST™ CFD7 SJ MOSFETs

Tailored to win in resonant topologies

The need for improved efficiency and higher power density in industrial SMPS applications is driven by the megatrends of the 21st century such as big data, digitalization and e-mobility. Furthermore, over the last few years, due to the higher nominal input voltages in the US, a trend towards 450 V bus voltage, and the need for worldwide applicable designs, the demand for 650 V breakdown voltage has increased significantly - also for resonant topologies.

The 650 V device family is the voltage-range extension of Infineon's renowned CoolMOST™ CFD7 family, the successor to the well-established CoolMOST™ CFD2. It comes along with an additional 50 V breakdown voltage, integrated fast body diode, improved switching performance (compared to previous generations), and excellent thermal behavior. Thanks to these features, the 650 V CoolMOST™ CFD7 allows for the highest efficiency and power density levels in soft-switching applications such as LLC and ZVS phase-shift-full-bridge.

The best-in-class $R_{DS(on)}$ in TO-247, TO-220, and D²PAK enables customers to increase the power density level of their designs primarily addressing telecom, server, solar, and (off-board) EV-charging applications.



Features and benefits

Key features	Key benefits
> 650 V blocking voltage	> 50 V extra margin for increased bus voltage
> Ultrafast body diode	> Excellent hard commutation ruggedness
> Reduced switching losses	> Outstanding light load efficiency
> Low $R_{DS(on)}$ dependency over temperature	> High full load efficiency

www.infineon.com/650v-cfd7



For more details on the product, click on the part number, visit infineon.com or contact our [product support](#).

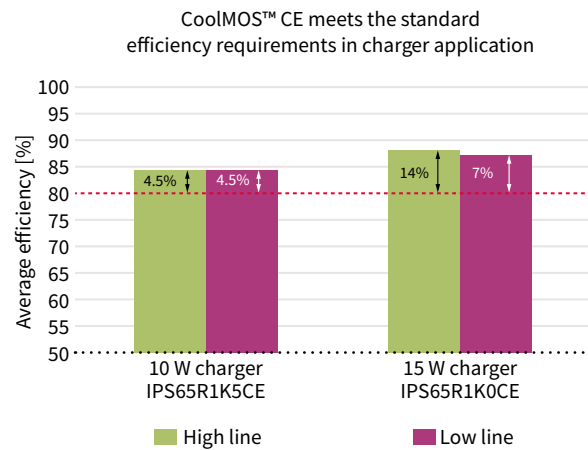
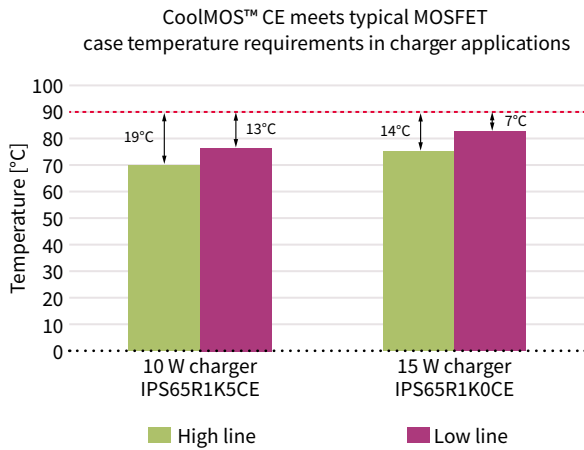


CoolMOST™ CE SJ MOSFETs

High-voltage superjunction MOSFETs for consumer applications

Infiniteon's CoolMOST™ CE is a product family that addresses consumer and lighting applications. It offers benefits in efficiency and thermal behavior versus standard MOSFETs and is optimized for ease of use and cost-competitiveness, while delivering the right-fit performance and excellent Infineon quality.

Application example: 10 W and 15 W smartphone charger

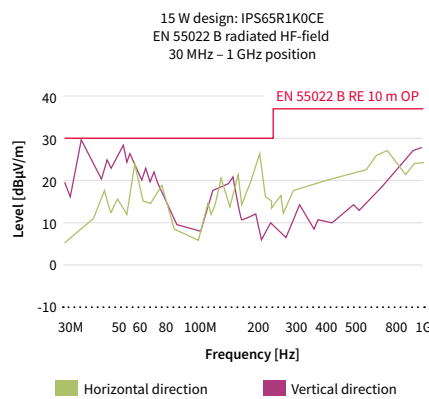
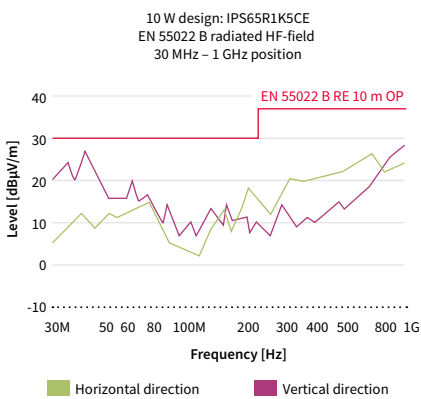


CoolMOST™ CE case temperature:

The maximum MOSFET case temperature is required to be below 90°C. CoolMOST™ CE meets this requirement and offers enough margin required for design-in flexibility.

CoolMOST™ CE efficiency performance:

CoolMOST™ CE meets the 80 percent standard efficiency requirement and offers enough margin required for design-in flexibility.



The performance of CoolMOST™ CE in the 10 W and 15 W design demonstrates that the series meets common EMI requirements for charger applications and thus, is also offering design-in flexibility.

CoolMOST™ CE customer benefits	
Product portfolio	Broad portfolio covering five voltage classes in both through-hole and SMD packages
Quality	Field failure rates are as low as 0.1 DPM
Design-in support	Large field application engineering team to provide professional and flexible support for your design



CoolMOST™ SJ MOSFETs for automotive

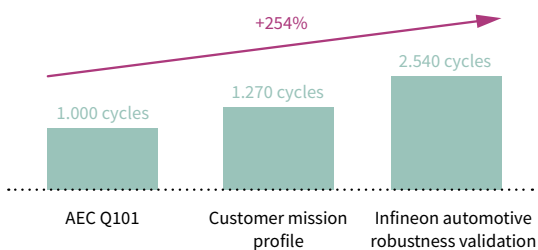
600 V CoolMOST™ CPA, 650 V CoolMOST™ CFDA, 800 V CoolMOST™ C3A,
650 V CoolMOST™ CFD7A – on the fast lane in automotive applications

The highest system performance in a size and weight constrained environment, outstanding and proven product quality and reliability, as well as 100 percent reliable delivery, are key requirements for manufacturers in the automotive market. With the high-voltage automotive MOSFET series 600 V CoolMOST™ CPA and 650 V CoolMOST™ CFDA, 800 V CoolMOST™ C3A and 650 V CoolMOST™ CFD7A, Infineon is perfectly prepared to take the challenges in the strongly growing automotive market.

Product series	Key features	Applications	Quality
600 V CoolMOST™ CPA	Best choice for demanding hard-switching applications <ul style="list-style-type: none"> Lowest $R_{DS(on)}$ per package Lowest gate charge value Q_G 	<ul style="list-style-type: none"> Hard-switching topologies (with SiC diode) PFC boost stages in on-board charger 	Quality level well beyond the formal requirements of the AEC Q101 standard through <ul style="list-style-type: none"> Special screening measures in front end, back end Mission-profile based qualification procedures
650 V CoolMOST™ CFDA	Easy implementation of layout and design <ul style="list-style-type: none"> Integrated fast body diode Limited voltage overshoot during hard commutation – self-limiting dI/dt and dV/dt Low Q_{rr} at repetitive commutation on body diode and low Q_{oss} 	<ul style="list-style-type: none"> Resonant-switching topologies DC-DC stage of OBC LLC or full-bridge phase shift (ZVS) in DC-DC converter HID lamp Active DC link discharge Pre-charge 	
800 V CoolMOST™ C3A	<ul style="list-style-type: none"> Outstanding performance in terms of efficiency, thermal behavior and ease-of-use High blocking voltage 	<ul style="list-style-type: none"> Flyback low-power auxiliaries On-board charger HV-LV DC-DC converter Battery disconnect unit Traction inverter auxiliaries DC-link pre-charge DC-link active discharge Isolation monitoring 	
650 V CoolMOST™ CFD7A	<ul style="list-style-type: none"> Improved 650 V CoolMOST™ CFDA Higher application voltage possible (at the same proven reliability level) New D²PAK 7-pin with increased creepage distance and Kelvin source Considerable improvement in key parameters (higher efficiency) 	<ul style="list-style-type: none"> On-board charger <ul style="list-style-type: none"> Hard-switching topologies (with SiC diode) PFC boost stages DC-DC stage of OBC HV-LV DC-DC converter <ul style="list-style-type: none"> LLC or full-bridge phase shift (ZVS) Auxiliary power supplies 	

CoolMOST™ SJ MOSFET automotive – benchmark in quality and reliability

Robustness validation – example for thermal cycling test



Focus on top-notch quality and reliability without any compromise – that is the principle Infineon applies during development and qualification of all CoolMOST™ superjunction technologies. For our automotive grade derivatives, the great quality levels of the industrial-based technologies are further boosted by special screening measures in front- and back-end, as well as by extended qualification procedures. The Infineon robustness validation approach with extended stress-test procedures, doubling the real application requirements, is one of our key measures to ensure a

quality level well beyond the formal requirements of the AEC Q101 standard. Aside from extended stress times on standard qualification tests, it comprises test procedures, specially developed by Infineon to ensure highest quality of e.g., the power metallization of our devices. Usage of robust package technologies, 100 percent gate oxide screening, and top-notch production monitoring, including yield screening measures, part average testing (PAT), statistical bin alarm (SBA), and pattern recognition procedures, complete our package to guarantee highest automotive quality. This holistic approach results in an unrivalled quality position of Infineon's CoolMOST™ SJ MOSFETs for automotive..

www.infineon.com/cfd7a

www.infineon.com/coolmos-automotive



For more details on the product, click on the part number, visit infineon.com or contact our [product support](#).

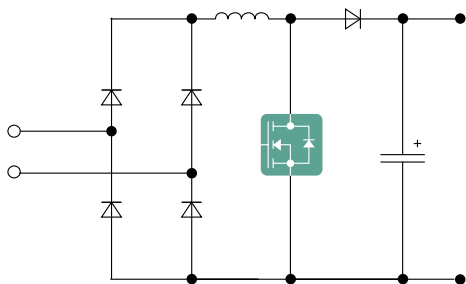




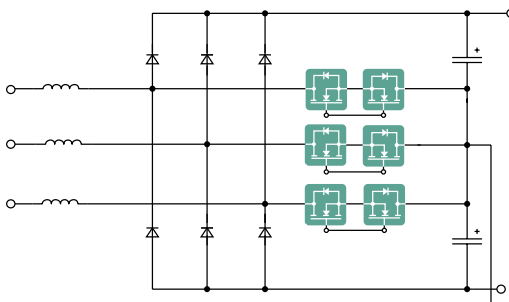
CoolMOS™ SJ MOSFET automotive – ready to support future application trends

Driven by the carbon dioxide (CO₂) reduction initiatives, the market of plug-in hybrid PHEV and pure EV is strongly growing. Higher ranges of the electric vehicles are realized by increasing the battery capacity and the energy efficiency of the used electric components. The used battery voltage classes tend to become standardized at approximately 450 V with a trend towards the higher voltages, as this supports faster charging times and enables lighter cabling within the vehicle. Discrete high-voltage components are widely used for on-board charger (OBC) and DC-DC converter (LDC) applications, as price pressure increasingly displaces module-based solutions. The trend towards fast charging impacts on the power range demanded from OBC topologies. Presently, as well as in the past, a vast majority of OBC topologies have been found in the range up to 7.2 kW, whereas the future tends to stir the trend towards 11 kW or even up to 22 kW. This development, paired with a demand for high efficiency and power density at low system cost, is a strong driver for the usage of three-phase solutions.

Classic PFC stage for OBC



OBC Vienna rectifier for three-phase PFC in OBC



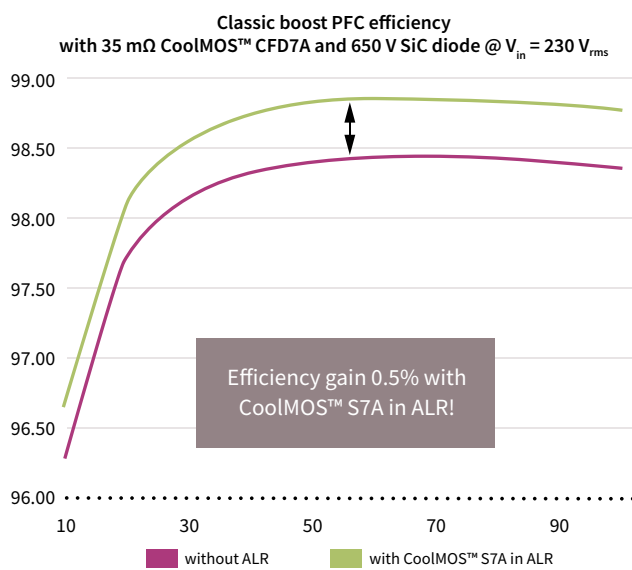
While for the lower power OBC solutions classic PFC approaches are the well-established approaches in the market, the Vienna rectifier is the optimal solution for the higher power levels. As a true three-phase topology, it delivers full power if attached to a three-phase input but is flexible enough to run on a single-phase if required. The three-level topology minimizes the filter effort compared to other solutions. By using the doubled frequency on the magnetic components, it also helps to significantly reduce the size of the passives. As a three-level topology, the Vienna rectifier, followed by two paralleled DC-DC stages, furthermore leads to a relaxed voltage stress level on the power MOSFETs. This way, it enables to handle upcoming higher battery voltage levels. The $R_{DS(on)}$, required to yield a desired efficiency level in a Vienna Rectifier, is a function of applied switching frequency and demanded power level. With our 600 V CoolMOS™ CPA and 650 V CoolMOS™ CFDA portfolio, covering an $R_{DS(on)}$ range from 45 to 660 mΩ, we are well-prepared to support your next-generation three-phase Vienna rectifier design. With CoolMOS™ you are ready to seize your share in the emerging high-power on-board charger markets.



600 V CoolMOST™ S7A

Best-in-class $R_{DS(on)}$ x A SJ MOSFET for slow-switching automotive applications

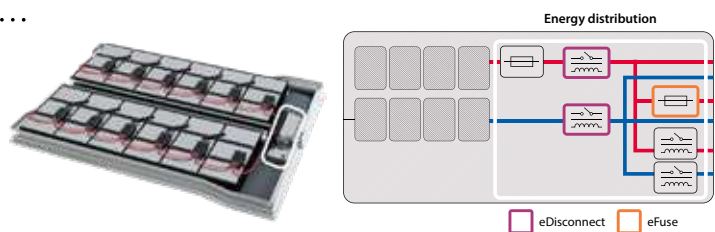
The automotive-grade 600 V CoolMOST™ S7A superjunction MOSFET addresses xEV applications where MOSFETs are switched at low frequency, such as HV eFuse, HV eDisconnect, and on-board charger in the slow-switching leg of the PFC stage. The more stringent requirements for increased power density, safety, and reliability in these applications are met by combining the superior robustness and performance of the S7A MOSFET with the innovative package concept offered by the QDPAK TSC. The new MOSFET design offers a cost-optimized, distinctively low on-resistance $R_{DS(on)}$ of 10 mΩ, enabling increased power density and minimized conduction losses. The top-side cooled QDPAK package offers increased efficiency and controllability thanks to its intrinsic Kelvin source, high power dissipation capability, and innovative cooling concept.



CoolMOST™ S7A is the ideal device for the ALR active line rectification in a classic boost PFC topology, which offers a power loss reduction up to 30 percent and an overall PLC efficiency improvement of 0.5 percent.

CoolMOST™ S7A is the semiconductor solution for HV eDisconnect and HV eFuse. It answers e-mobility needs with respect to reliability (maintenance-free), flexible and cost-optimized system integration, scalability, and minimized failure propagation.

HV power distribution unit



Features and benefits

Key features
› Best-in-class $R_{DS(on)}$: 10 mΩ
› Smallest $R_{DS(on)}$ in SMD packages
› Optimized for conduction performance
› Industry's leading heat-sinking capability
› High pulse current capability
› Body diode robustness at AC line commutation
› Kelvin-source concept

Key benefits
› Minimized conduction losses
› Increased energy efficiency
› More compact and easier designs
› Increased power density
› Lower TCO cost or BOM cost
› Flexible system integration
› Variable cooling strategy



CoolMOST™ SJ MOSFET high-power package innovations

Space-saving and high performance packages



An SMD package for high efficiency and controllability in automotive applications

TO-263-7 (D²PAK-7-pin)

The TO-263-7-pin package is a SMD package addressing automotive-specific requirements including high efficiency and controllability. The Kelvin source pin leads to reduced switching losses. Furthermore, the new 7-pin design increases the creepage distance at the PCB and therefore helps to improve the manufacturability.



Innovative top-side cooled SMD solution for high-power applications

Top-side cooled Double & Quadruple DPAK (DDPAK + QDPAK)

These top-side cooled surface mount device (SMD) packages address high-power SMPS applications such as PC power, solar, server and telecom as well as automotive applications like HV eDisconnect, HV eFuse and on-board charger. SMD-based SMPS designs support fast switching and help to reduce the parasitic inductance associated with long leaded packages such as the common TO-220 and TO-247 package. In today's SMD-based designs, the output power is restricted by the thermal limit of the PCB material because the heat must be dissipated through the board. Thanks to the top-side cooling concept of DDPAK and QDPAK, the thermal decoupling of board and semiconductor is possible, enabling higher power density or improved system lifetime.



For highest efficiency and controllability in high-power SMPS markets

TO-247 4-pin with asymmetric leads

The TO-247 4-pin package with asymmetric leads is an optimized version of the standard TO-247 4-pin and enables highest efficiency and controllability in the high-power SMPS market. The fourth pin acts as a Kelvin source. The main current of the switch is placed outside of the gate loop and the feedback is eliminated. This leads to less switching losses, especially at high currents. Secondly, the EMI will be reduced due to cleaner waveforms. In addition, the asymmetric leads further improve the ease of use in the design-in process. Compared to the standard TO-247 4-pin the distance between the critical pins has been increased to enable simplified wave soldering and reduced board yield loss.



Enabling significant space savings

ThinPAK 8x8

With a very small footprint of only 64 mm² (vs. 150 mm² for the D²PAK) and a very low profile with only 1 mm height (vs. 4.4 mm for the D²PAK) the ThinPAK 8x8 leadless SMD package for high-voltage MOSFETs is a first choice to decrease system size in power-density driven designs. Low parasitic inductance and a separate 4-pin Kelvin source connection offer best efficiency and ease of use. The package is RoHS compliant with halogen-free mold compound.



Optimized for high-power applications

TO-Leadless

Combined with the CoolMOST™ C7 Gold (G7) technology, the TO-Leadless (TOLL) package is Infineon's flagship SMD package for high power/high current SMD solutions. Compared to D²PAK 7-pin, TO-Leadless shows a 30 percent reduction in footprint, yet offers improved thermal performance. This, and the 50 percent height reduction result in a significant advantage whenever highest power density is demanded. Equipped with 4-pin Kelvin source connection and low parasitic inductances the package offers best efficiency and ease of use. The package is MSL1 compliant and reflow solderable.

www.infineon.com/coolmos-latest-packages

For more details on the product, click on the part number, visit infineon.com or contact our [product support](#).



CoolMOS™ SJ MOSFET low-power package innovations

Addressing today's consumer needs



Cost-effective drop-in replacement for DPAK

SOT-223

The **SOT-223** package without middle pin is a cost-effective alternative to DPAK, addressing the need for cost reductions in price-sensitive applications. It offers a smaller footprint, while still being pin-to-pin compatible with DPAK, thus, allowing a drop-in replacement for DPAK and second sourcing. Moreover, **SOT-223** achieves comparable thermal performance to DPAK and enables customers to achieve improved form factors or space savings in designs with low power dissipation.



Solution for slim and small adapters and chargers

ThinPAK 5x6

ThinPAK 5x6 reduces the PCB area by 52 percent and height by 54 percent when compared to the DPAK package which is widely used in chargers and adapters. **ThinPAK 5x6** is the right device to replace DPAK and meet the market demands of slimmer and smaller designs. Also, **ThinPAK 5x6** enables a reduced charger and adapter case hot spot temperature by increasing the space between the MOSFET and the charger and adapter case.



Solution for height reduction in adapters and chargers

TO-220 FullPAK Narrow Lead

Infineon's **TO-220 FullPAK Narrow Lead** addresses customer needs with regards to height reduction requirements in adapter and charger applications. By offering an optimized standoff width and height and improved creepage distance, the package can be fully inserted into the PCB without any production concerns and, therefore, is especially suitable for slim and semi-slim adapter solutions.



Improved creepage distance for open frame power supplies

TO-220 FullPAK Wide Creepage

This package solution has an increased creepage distance between the pins to 4.25 mm compared to 2.54 mm of a TO-220 FullPAK package. It targets open frame power supplies such as TV sets and PC power, where dust can enter the case through air vents. Dust particles can reduce the effective creepage between pins over time, which may lead to high voltage arcing. The package meets the requirements of open frame power supplies without any additional measures. Thus, it reduces system cost by offering an alternative to frequently used approaches to increase creepage distance.



950V CoolMOS PFD7



$R_{DS(on)}$ [mΩ]	TO-220 FullPAK	TO247	TO252 DPAK
60		IPW95R60PFD7*	
130	IPA95R130PFD7*	IPW95R130PFD7*	
310	IPA95R310PFD7*	IPW95R310PFD7*	
450	IPA95R450PFD7*		IPD95R450PFD7*

950 V CoolMOST™ P7



$R_{DS(on)}$ [mΩ]	TO-220	TO-220 FullPAK	SOT-223	TO-251 Long lead	TO-252 (DPAK)
450		IPA95R450P7		IPU95R450P7	IPD95R450P7
750		IPA95R750P7		IPU95R750P7	IPD95R750P7
1200		IPA95R1K2P7	IPN95R1K2P7	IPU95R1K2P7	IPD95R1K2P7
2000			IPN95R2K0P7	IPU95R2K0P7	IPD95R2K0P7
3700			IPN95R3K7P7	IPU95R3K7P7	

900 V CoolMOST™ C3



$R_{DS(on)}$ [mΩ]	TO-220	TO-262 (I ² PAK)	TO-263 (D ² PAK)	TO-220 FullPAK	TO-247	TO-252 (DPAK)
120					IPW90R120C3	
340	IPP90R340C3	IPI90R340C3	IPB90R340C3	IPA90R340C3	IPW90R340C3	
500		IPI90R500C3		IPA90R500C3	IPW90R500C3	
800	IPP90R800C3			IPA90R800C3		
1200	IPP90R1K2C3	IPI90R1K2C3		IPA90R1K2C3		IPD90R1K2C3

800 V CoolMOST™ P7



$R_{DS(on)}$ [mΩ]	TO -220	TO-220 FullPAK	TO-247	TO-252 (DPAK)	TO-251 (IPAK)	TO-251 (IPAK Short Lead)	SOT-223	TO-220 FullPAK narrow lead	ThinPAK 5x6
280	IPP80R280P7	IPA80R280P7	IPW80R280P7	IPD80R280P7				IPAN80R280P7	
360	IPP80R360P7	IPA80R360P7	IPW80R360P7	IPD80R360P7				IPAN80R360P7	
450	IPP80R450P7	IPA80R450P7		IPD80R450P7				IPAN80R450P7	
600	IPP80R600P7	IPA80R600P7		IPD80R600P7	IPU80R600P7	IPS80R600P7	IPN80R600P7		IPLK80R600P7
750	IPP80R750P7	IPA80R750P7		IPD80R750P7	IPU80R750P7	IPS80R750P7	IPN80R750P7		IPLK80R750P7
900	IPP80R900P7	IPA80R900P7		IPD80R900P7	IPU80R900P7	IPS80R900P7	IPN80R900P7		IPLK80R900P7
1200	IPP80R1K2P7	IPA80R1K2P7		IPD80R1K2P7	IPU80R1K2P7	IPS80R1K2P7	IPN80R1K2P7		IPLK80R1K2P7
1400	IPP80R1K4P7	IPA80R1K4P7		IPD80R1K4P7	IPU80R1K4P7	IPS80R1K4P7	IPN80R1K4P7		IPLK80R1K4P7
2000				IPD80R2K0P7	IPU80R2K0P7	IPS80R2K0P7	IPN80R2K0P7		IPLK80R2K0P7
2400				IPD80R2K4P7	IPU80R2K4P7	IPS80R2K4P7	IPN80R2K4P7		
3300				IPD80R3K3P7	IPU80R3K3P7		IPN80R3K3P7		
4500				IPD80R4K5P7	IPU80R4K5P7		IPN80R4K5P7		

www.infineon.com/coolmos
www.infineon.com/c3

www.infineon.com/800v-p7
www.infineon.com/950v-p7

* Coming soon

For more details on the product, click on the part number, visit infineon.com or contact our [product support](#).



800 V CoolMOST™ CE



$R_{DS(on)}$ [mΩ]	TO-220 FullPAK	TO-252 (DPAK)	TO-251 (IPAK)
310	IPA80R310CE		
460	IPA80R460CE		
650	IPA80R650CE		
1000	IPA80R1K0CE	IPD80R1K0CE	IPU80R1K0CE
1400	IPA80R1K4CE	IPD80R1K4CE	
2800		IPD80R2K8CE	

800 V CoolMOST™ C3



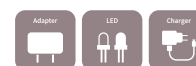
$R_{DS(on)}$ [mΩ]	TO-220	TO-263 (D ² PAK)	TO-220 FullPAK	TO-247	TO-252 (DPAK)
85				SPW55N80C3	
290	SPP17N80C3	SPB17N80C3	SPA17N80C3	SPW17N80C3	
450	SPP11N80C3		SPA11N80C3	SPW11N80C3	
650	SPP08N80C3		SPA08N80C3		
900	SPP06N80C3		SPA06N80C3		SPD06N80C3
1300	SPP04N80C3		SPA04N80C3		SPD04N80C3
2700			SPA02N80C3		SPD02N80C3

700 V CoolMOST™ P7



$R_{DS(on)}$ [mΩ]	TO-251 (IPAK Short Lead)	TO-220 FullPAK	TO-252 (DPAK)	TO-220 FullPAK narrow lead	TO-251 (IPAK Short Lead w/ ISO Standoff)	SOT-223	ThinPAK 5x6
360	IPSA70R360P7S	IPA70R360P7S	IPD70R360P7S	IPAN70R360P7S	IPSA70R360P7S	IPN70R360P7S	
450		IPA70R450P7S		IPAN70R450P7S	IPSA70R450P7S	IPN70R450P7S	
600	IPSA70R600P7S	IPA70R600P7S	IPD70R600P7S	IPAN70R600P7S	IPSA70R600P7S	IPN70R600P7S	IPLK70R600P7
750		IPA70R750P7S		IPAN70R750P7S	IPSA70R750P7S	IPN70R750P7S	IPLK70R750P7
900	IPSA70R900P7S	IPA70R900P7S	IPD70R900P7S	IPAN70R900P7S	IPSA70R900P7S	IPN70R900P7S	IPLK70R900P7
1200					IPSA70R1K2P7S	IPN70R1K2P7S	IPLK70R1K2P7
1400	IPSA70R1K4P7S		IPD70R1K4P7S		IPSA70R1K4P7S	IPN70R1K4P7S	IPLK70R1K4P7
2000					IPSA70R2K0P7S	IPN70R2K0P7S	IPLK70R2K0P7

700 V CoolMOST™ CE



$R_{DS(on)}$ [mΩ]	TO-220 FullPAK Wide Creepage	TO-262 (IPAK)	TO-251 (IPAK Short Lead with ISO Standoff)	TO-252 (DPAK)	TO-251 (IPAK Short Lead)	SOT-223
600	IPAW70R600CE		IPSA70R600CE	IPD70R600CE		
950	IPAW70R950CE	IPI70R950CE	IPSA70R950CE	IPD70R950CE	IPS70R950CE	
1000						IPN70R1K0CE
1400			IPSA70R1K4CE	IPD70R1K4CE	IPS70R1K4CE	
1500						IPN70R1K5CE
2000			IPSA70R2K0CE	IPD70R2K0CE	IPS70R2K0CE	
2100						IPN70R2K1CE

www.infineon.com/coolmos
www.infineon.com/c3

www.infineon.com/ce
www.infineon.com/700v-p7

For more details on the product, click on the part number, visit infineon.com or contact our [product support](#).



650 V CoolMOST™ C7



R _{DS(on)} [mΩ]	TO-220	TO-263 (D ² PAK)	TO-220 FullPAK	TO-247	TO-247 4-pin	TO-252 (DPAK)	ThinPAK 8x8
19				IPW65R019C7	IPZ65R019C7		
45	IPP65R045C7	IPB65R045C7	IPA65R045C7	IPW65R045C7	IPZ65R045C7		
65	IPP65R065C7	IPB65R065C7	IPA65R065C7	IPW65R065C7	IPZ65R065C7		
70							IPL65R070C7
95	IPP65R095C7	IPB65R095C7	IPA65R095C7	IPW65R095C7	IPZ65R095C7		
99							IPL65R099C7
125	IPP65R125C7	IPB65R125C7	IPA65R125C7	IPW65R125C7			
130							IPL65R130C7
190	IPP65R190C7	IPB65R190C7	IPA65R190C7	IPW65R190C7		IPD65R190C7	
195							IPL65R195C7
225	IPP65R225C7	IPB65R225C7	IPA65R225C7			IPD65R225C7	
230							IPL65R230C7

650 V CoolMOST™ CE



R _{DS(on)} [mΩ]	TO-220 FullPAK	TO-252 (DPAK)	TO-251 (IPAK Short Lead)	SOT-223	TO-220 FullPAK Narrow Lead
400	IPA65R400CE	IPD65R400CE	IPS65R400CE		
650	IPA65R650CE	IPD65R650CE	IPS65R650CE		IPAN65R650CE
1000	IPA65R1K0CE	IPD65R1K0CE	IPS65R1K0CE		
1500	IPA65R1K5CE	IPD65R1K5CE		IPN65R1K5CE	

650 V CoolMOST™ CFD2



R _{DS(on)} [mΩ]	TO-220	TO-262 (I ² PAK)	TO-263 (D ² PAK)	TO-220 FullPAK	TO-247	TO-252 (DPAK)	ThinPAK 8x8
41					IPW65R041CFD		
80					IPW65R080CFD		
110	IPP65R110CFD		IPB65R110CFD	IPA65R110CFD	IPW65R110CFD		
150	IPP65R150CFD		IPB65R150CFD	IPA65R150CFD	IPW65R150CFD		
165							IPL65R165CFD
190	IPP65R190CFD	IPI65R190CFD	IPB65R190CFD	IPA65R190CFD	IPW65R190CFD		
210							IPL65R210CFD
310	IPP65R310CFD		IPB65R310CFD	IPA65R310CFD			
340							IPL65R340CFD
420	IPP65R420CFD			IPA65R420CFD	IPW65R420CFD	IPD65R420CFD	
660				IPA65R660CFD		IPD65R660CFD	
950						IPD65R950CFD	
1400						IPD65R1K4CFD	

650 V CoolMOST™ CFD7



R _{DS(on)} [mΩ]	TO-220	TO-263 (D ² PAK)	TO-247	TO-247 4-pin	TO-Leadless (TOLL)	ThinPAK 8x8	QPAK BSC	QPAK TSC
17							IPQC65R017CFD7*	IPDQ65R017CFD7*
18			IPW65R018CFD7	IPZA65R018CFD7				
29			IPW65R029CFD7	IPZA65R029CFD7			IPQC65R029CFD7*	IPDQ65R029CFD7*
40					IPT65R040CFD7*		IPQC65R040CFD7*	IPDQ65R040CFD7*
41	IPP65R041CFD7	IPB65R041CFD7	IPW65R041CFD7					
60	IPP65R060CFD7		IPW65R060CFD7		IPT65R060CFD7*		IPQC65R060CFD7*	IPDQ65R060CFD7*
65						IPL65R065CFD7		
80					IPT65R080CFD7*			IPDQ65R080CFD7*
90	IPP65R090CFD7	IPB65R090CFD7	IPW65R090CFD7					
95						IPL65R095CFD7		
99					IPT65R099CFD7*			IPDQ65R099CFD7*
110	IPP65R110CFD7	IPB65R110CFD7	IPW65R110CFD7					
115						IPL65R115CFD7		
125		IPB65R125CFD7	IPW65R125CFD7		IPT65R125CFD7*			IPDQ65R125CFD7*
130						IPL65R130CFD7		
155	IPP65R155CFD7	IPB65R155CFD7	IPW65R155CFD7		IPT65R155CFD7*			
160						IPL65R160CFD7		
190	IPP65R190CFD7				IPT65R190CFD7*			
200						IPL65R200CFD7		

www.infineon.com/coolmos

www.infineon.com/g7

www.infineon.com/c7

www.infineon.com/cfd2

www.infineon.com/ce

*Coming soon

For more details on the product, click on the part number, visit infineon.com or contact our [product support](#).



600 V CoolMOST™ PFD7



R _{DS(on)} [mΩ]	TO-220 FullPAK Narrow Leads	TO-251 (IPAK Short Lead)	TO-252 (DPAK)	SOT-223	ThinPAK 5x6
125	IPAN60R125PFD7S				
210	IPAN60R210PFD7S	IPS60R210PFD7S	IPD60R210PFD7S		
280	IPAN60R280PFD7S	IPS60R280PFD7S	IPD60R280PFD7S		
360	IPAN60R360PFD7S	IPS60R360PFD7S	IPD60R360PFD7S	IPN60R360PFD7S	IPLK60R360PFD7
600		IPS60R600PFD7S	IPD60R600PFD7S	IPN60R600PFD7S	IPLK60R600PFD7
1000		IPS60R1K0PFD7S	IPD60R1K0PFD7S	IPN60R1K0PFD7S	IPLK60R1K0PFD7
1500			IPD60R1K5PFD7S	IPN60R1K5PFD7S	IPLK60R1K5PFD7
2000			IPD60R2K0PFD7S	IPN60R2K0PFD7S	

600 V CoolMOST™ P7

Industrial grade



R _{DS(on)} [mΩ]	TO -220	TO-220 FullPAK	TO-247	TO-247 4-pin asymmetric leads	TO-252 (DPAK)	ThinPAK 8x8	D ² PAK
24			IPW60R024P7	IPZA60R024P7			
37			IPW60R037P7	IPZA60R037P7			
45			IPW60R045P7	IPZA60R045P7			IPB60R045P7
60	IPP60R060P7	IPA60R060P7	IPW60R060P7	IPZA60R060P7			IPB60R060P7
65						IPL60R065P7	
80	IPP60R080P7	IPA60R080P7	IPW60R080P7	IPZA60R080P7		IPL60R085P7	IPB60R080P7
99	IPP60R099P7	IPA60R099P7	IPW60R099P7	IPZA60R099P7			IPB60R099P7
105						IPL60R105P7	
120	IPP60R120P7	IPA60R120P7	IPW60R120P7	IPZA60R120P7			IPB60R120P7
125						IPL60R125P7	
160	IPP60R160P7	IPA60R160P7					
180	IPP60R180P7	IPA60R180P7	IPW60R180P7	IPZA60R180P7	IPD60R180P7		IPB60R180P7
185						IPL60R185P7	
280	IPP60R280P7	IPA60R280P7			IPD60R280P7		IPB60R280P7
285						IPL60R285P7	
360	IPP60R360P7	IPA60R360P7			IPD60R360P7		IPB60R360P7
365						IPL60R365P7	
600	IPP60R600P7	IPA60R600P7			IPD60R600P7		

600 V CoolMOST™ P7

Standard grade



R _{DS(on)} [mΩ]	TO-220 FullPAK	TO-220 FullPAK Narrow lead	TO-252 (DPAK)	TO-220 FullPAK Wide Creepage	SOT-223
180	IPA60R180P7S	IPAN60R180P7S	IPD60R180P7S	IPAW60R180P7S	
280	IPA60R280P7S	IPAN60R280P7S	IPD60R280P7S	IPAW60R280P7S	
360	IPA60R360P7S	IPAN60R360P7S	IPD60R360P7S	IPAW60R360P7S	IPN60R360P7S
600	IPA60R600P7S	IPAN60R600P7S	IPD60R600P7S	IPAW60R600P7S	IPN60R600P7S

600 V CoolMOST™ CFD7



R _{DS(on)} [mΩ]	TO-220	TO-263 (D ² PAK)	TO-220 FullPAK	TO-247	TO-252 (DPAK)	ThinPAK 8x8	DDPAK	TO-Leadless (TOLL)	QDPAK
15									IPDQ60R015CFD7*
18				IPW60R018CFD7					
20									IPDQ60R020CFD7*
24				IPW60R024CFD7					
25									IPDQ60R025CFD7*
31/35				IPW60R031CFD7				IPT60R035CFD7	IPDQ60R035CFD7*
40/45		IPB60R040CFD7		IPW60R040CFD7			IPDD60R045CFD7	IPT60R045CFD7	IPDQ60R045CFD7*
55		IPB60R055CFD7		IPW60R055CFD7			IPDD60R055CFD7	IPT60R055CFD7	IPDQ60R055CFD7
60						IPL60R060CFD7			
70	IPP60R070CFD7	IPB60R070CFD7		IPW60R070CFD7					
75									IPDQ60R075CFD7*
90/95	IPP60R090CFD7	IPB60R090CFD7		IPW60R090CFD7		IPL60R095CFD7	IPDD60R090CFD7	IPT60R090CFD7	
105/115	IPP60R105CFD7	IPB60R105CFD7		IPW60R105CFD7		IPL60R115CFD7	IPDD60R105CFD7	IPT60R105CFD7	
125/140	IPP60R125CFD7	IPB60R125CFD7	IPA60R125CFD7	IPW60R125CFD7		IPL60R140CFD7	IPDD60R125CFD7	IPT60R125CFD7	
145/160	IPP60R145CFD7	IPB60R145CFD7	IPA60R145CFD7	IPW60R145CFD7	IPD60R145CFD7	IPL60R160CFD7	IPDD60R145CFD7	IPT60R145CFD7	
170	IPP60R170CFD7	IPB60R170CFD7	IPA60R170CFD7	IPW60R170CFD7	IPD60R170CFD7		IPDD60R170CFD7		
185						IPL60R185CFD7			
210/225	IPP60R210CFD7	IPB60R210CFD7	IPA60R210CFD7		IPD60R210CFD7	IPL60R225CFD7			
280	IPP60R280CFD7	IPB60R280CFD7	IPA60R280CFD7		IPD60R280CFD7				
360	IPP60R360CFD7	IPB60R360CFD7	IPA60R360CFD7		IPD60R360CFD7				

www.infineon.com/coolmos

www.infineon.com/600v-p7

*Coming soon

www.infineon.com/600v-PFD7

www.infineon.com/CFD7

For more details on the product, click on the part number, visit infineon.com or contact our [product support](mailto:product.support).



600 V CoolMOST™ S7



$R_{DS(on)}$ [mΩ]	TO-220	TO-Leadless (TOLL)	TO247-3	QDPAK TSC	QDPAK BSC
10			IPW60R010S7*	IPDQ60R010S7	IPQC60R010S7*
17			IPW60R017S7*	IPDQ60R017S7*	IPQC60R017S7*
22	IPP60R022S7	IPT60R022S7	IPW60R022S7*	IPDQ60R022S7	IPQC60R022S7*
40	IPP60R040S7	IPT60R040S7	IPW60R040S7*	IPDQ60R040S7	IPQC60R040S7*
65	IPP60R065S7	IPT60R065S7	IPW60R065S7*	IPDQ60R065S7	

600 V CoolMOST™ C7 Gold (G-series)



$R_{DS(on)}$ [mΩ]	TO-Leadless (TOLL)	TO-252 (Double DPAK)
28	IPT60R028G7	
50	IPT60R050G7	IPDD60R050G7
80	IPT60R080G7	IPDD60R080G7
102	IPT60R102G7	IPDD60R102G7
125	IPT60R125G7	IPDD60R125G7
150	IPT60R150G7	IPDD60R150G7
190		IPDD60R190G7

600 V CoolMOST™ C7



$R_{DS(on)}$ [mΩ]	TO-220	TO-263 (D ² PAK)	TO-220 FullPAK	TO-247	TO-247 4-pin	TO-252 (DPAK)	ThinPAK 8x8
17				IPW60R017C7	IPZ60R017C7		
40	IPP60R040C7	IPB60R040C7		IPW60R040C7	IPZ60R040C7		
60	IPP60R060C7	IPB60R060C7	IPA60R060C7	IPW60R060C7	IPZ60R060C7		
65							IPL60R065C7
99	IPP60R099C7	IPB60R099C7	IPA60R099C7	IPW60R099C7	IPZ60R099C7		
104							IPL60R104C7
120	IPP60R120C7	IPB60R120C7	IPA60R120C7	IPW60R120C7			
125							IPL60R125C7
180	IPP60R180C7	IPB60R180C7	IPA60R180C7	IPW60R180C7		IPD60R180C7	
185							IPL60R185C7

600 V CoolMOST™ P6



$R_{DS(on)}$ [mΩ]	TO-220	TO-220 FullPAK	TO-263 (D ² PAK)	TO-247	TO-247 4-pin	TO-252 (DPAK)	ThinPAK 5x6	ThinPAK 8x8
41				IPW60R041P6				
70				IPW60R070P6	IPZ60R070P6			
99	IPP60R099P6	IPA60R099P6		IPW60R099P6	IPZ60R099P6			
125	IPP60R125P6	IPA60R125P6		IPW60R125P6				
160	IPP60R160P6	IPA60R160P6	IPB60R160P6	IPW60R160P6				
180								IPL60R180P6
190	IPP60R190P6	IPA60R190P6		IPW60R190P6				
210								IPL60R210P6
230		IPA60R230P6						
255								
280	IPP60R280P6	IPA60R280P6	IPB60R280P6	IPW60R280P6				
330/360							IPL60R360P6S	
380		IPA60R380P6				IPD60R380P6		
600		IPA60R600P6				IPD60R600P6		
650							IPL60R650P6S	

www.infineon.com/coolmos

www.infineon.com/c7

* Coming soon

www.infineon.com/p6

www.infineon.com/g7

www.infineon.com/s7

For more details on the product, click on the part number, visit infineon.com or contact our [product support](#).



600 V CoolMOST™ CE



$R_{DS(on)}$ [mΩ]	TO-220 FullPAK	TO-220 FullPAK Wide Creepage	TO-252 (DPAK)	TO-251 (IPAK)	TO-251 (IPAK Short Lead)	SOT-223	TO-220 FullPAK Narrow Lead
190		IPAW60R190CE					
280		IPAW60R280CE					
380		IPAW60R380CE					
400	IPA60R400CE		IPD60R400CE		IPS60R400CE		
460	IPA60R460CE		IPD60R460CE				
600		IPAW60R600CE					
650	IPA60R650CE		IPD60R650CE		IPS60R650CE		IPAN60R650CE
800			IPD60R800CE		IPS60R800CE		IPAN60R800CE
1000	IPA60R1K0CE		IPD60R1K0CE	IPU60R1K0CE	IPS60R1K0CE	IPN60R1K0CE	
1500	IPA60R1K5CE		IPD60R1K5CE	IPU60R1K5CE	IPS60R1K5CE	IPN60R1K5CE	
2100			IPD60R2K1CE	IPU60R2K1CE	IPS60R2K1CE	IPN60R2K1CE	
3400			IPD60R3K4CE		IPS60R3K4CE	IPN60R3K4CE	

500 V CoolMOST™ CE




$R_{DS(on)}$ [mΩ]	TO-220	TO-220 FullPAK	TO-252 (DPAK)	SOT-223	TO-220 FullPAK Narrow Lead
190	IPP50R190CE	IPA50R190CE			
280	IPP50R280CE	IPA50R280CE	IPD50R280CE		
380	IPP50R380CE	IPA50R380CE	IPD50R380CE		
500		IPA50R500CE	IPD50R500CE		IPAN50R500CE
650			IPD50R650CE	IPN50R650CE	
800		IPA50R800CE	IPD50R800CE	IPN50R800CE	
950		IPA50R950CE	IPD50R950CE	IPN50R950CE	
1400			IPD50R1K4CE	IPN50R1K4CE	
2000			IPD50R2K0CE	IPN50R2K0CE	
3000			IPD50R3K0CE	IPN50R3K0CE	




CoolMOST™ SJ MOSFET automotive

800 V CoolMOST™ C3A



$R_{DS(on)}$ @ $T_J = 25^\circ\text{C}$ $V_{GS} = 10\text{ V}$ [m Ω]	TO-247	TO-252	TO-263
290	IPW80R290C3A		IPB80R290C3A
2700		IPD80R2K7C3A	

650 V CoolMOST™ CFDA



$R_{DS(on)}$ @ $T_J = 25^\circ\text{C}$ $V_{GS} = 10\text{ V}$ [m Ω]	TO-220	TO-247	TO-252	TO-263
48		IPW65R048CFDA		
80		IPW65R080CFDA		
110	IPP65R110CFDA	IPW65R110CFDA		IPB65R110CFDA
150	IPP65R150CFDA	IPW65R150CFDA		IPB65R150CFDA
190				IPB65R190CFDA
310				IPB65R310CFDA
420			IPD65R420CFDA	
660			IPD65R660CFDA	IPB65R660CFDA

www.infineon.com/coolmos
www.infineon.com/coolmos-automotive
www.infineon.com/cfda

For more details on the product, click on the part number, visit infineon.com or contact our [product support](#).



650 V CoolMOST™ CFD7A



$R_{DS(on)}$ @ $T_J = 25^\circ\text{C}$ $V_{GS} = 10\text{ V}$ [mΩ]	TO-220	TO-247	TO-247 Short leads	TO-263-3 D ² PAK 3-pin	TO-263-7 D ² PAK 7-pin	QPAK BSC	QPAK TSC
17						IPQC65R017CFD7A*	IPDQ65R017CFD7A*
22		IPW65R022CFD7A	IPWS65R022CFD7A				
29						IPQC65R029CFD7A*	IPDQ65R029CFD7A*
35		IPW65R035CFD7A	IPWS65R035CFD7A				
40						IPQC65R040CFD7A*	IPDQ65R040CFD7A*
50	IPP65R050CFD7A	IPW65R050CFD7A	IPWS65R050CFD7A	IPB65R050CFD7A	IPBE65R050CFD7A		
60						IPQC65R060CFD7A*	IPDQ65R060CFD7A*
75	IPP65R075CFD7A	IPW65R075CFD7A	IPWS65R075CFD7A	IPB65R075CFD7A	IPBE65R075CFD7A		
80						IPQC65R080CFD7A*	IPDQ65R080CFD7A*
99	IPP65R099CFD7A	IPW65R099CFD7A		IPB65R099CFD7A	IPBE65R099CFD7A	IPQC65R099CFD7A*	IPDQ65R099CFD7A*
115	IPP65R115CFD7A	IPW65R115CFD7A		IPB65R115CFD7A	IPBE65R115CFD7A		
125						IPQC65R125CFD7A*	IPDQ65R125CFD7A*
145	IPP65R145CFD7A	IPW65R145CFD7A		IPB65R145CFD7A	IPBE65R145CFD7A		
190	IPP65R190CFD7A	IPW65R190CFD7A		IPB65R190CFD7A	IPBE65R190CFD7A		
230				IPB65R230CFD7A	IPBE65R230CFD7A		

600 V CoolMOST™ CPA



$R_{DS(on)}$ @ $T_J = 25^\circ\text{C}$ $V_{GS} = 10\text{ V}$ [mΩ]	TO-220	TO-247	TO-262	TO-263
45		IPW60R045CPA		
75		IPW60R075CPA		
99	IPP60R099CPA	IPW60R099CPA	IPB60R099CPA	IPB60R099CPA
199				IPB60R199CPA
299				IPB60R299CPA

600 V CoolMOST™ S7A



$R_{DS(on)}$ @ $T_J = 25^\circ\text{C}$ $V_{GS} = 10\text{ V}$ [mΩ]	QPAK TSC	QPAK BSC	TO-247-3
40	IPDQ60R040S7A*	IPQC60R040S7A*	IPW60R040S7A*
22	IPDQ60R022S7A*	IPQC60R022S7A*	IPW60R022S7A*
17	IPDQ60R017S7A*	IPQC60R017S7A*	IPW60R017S7A*
10	IPDQ60R010S7A	IPQC60R010S7A*	IPW60R010S7A*

www.infineon.com/coolmos-automotive

www.infineon.com/cfd7a

www.infineon.com/s7a

* Coming soon

For more details on the product, click on the part number, visit infineon.com or contact our [product support](#).



CoolMOST™ SJ MOSFETs – packages



SOT-223

Voltage [V]	Series	$R_{DS(on)}$ [mΩ]									
		0-59	60-89	90-149	150-199	200-299	300-400	401-600	601-899	900-1500	>1500
500	CE								650/800	950/1400	2000/3000
600	P7						360	600			
	CE									1000/1500	2100/3400
650	P7						360	600		1000/1500	2000
	CE									1500	
700	P7						360	450/600	750	900/1200/1400	2000
	CE									1000/1500	2100
800	P7								600/750	900/1200/1400	2000/2400/ 3300/4500
950	P7									1200	2000/3700



TO-247

Voltage [V]	Series	$R_{DS(on)}$ [mΩ]									
		0-59	60-89	90-149	150-199	200-299	300-400	401-600	601-899	900-1500	>1500
600	P7	24/37/45	60/80	99/120	180						
	C7	17/40	60	99/120	180						
	P6	41	70	99/125	160/190	280					
	CFD7	18/24/31/40/55	70	90/105/125/145	170						
	CPA	45	75	99							
650	CFD7	18/29/41	60	90/110/125	155						
	C7	19/45	65	95/125	190						
	CFD2	41	80	110	150/190			420			
	CFDA	48	80	110	150/190						
	CFD7A	22/35/50	75	99/115/145	190	230					
800	P7					280	360				
	C3		85			290		450			
900	C3			120			340	500			
950	PFD7		60*	130*			310*				



TO-247 short leads

Voltage [V]	Series	$R_{DS(on)}$ [mΩ]									
		0-59	60-89	90-149	150-199	200-299	300-400	401-600	601-899	900-1500	>1500
650	CFD7A	22/35/50	75								



TO-247 4-pin

Voltage [V]	Series	$R_{DS(on)}$ [mΩ]									
		0-59	60-89	90-149	150-199	200-299	300-400	401-600	601-899	900-1500	>1500
600	C7	17/40	60	99							
	P6		70	99							
650	C7	19/45	65	95							



TO-247 4-pin asymmetric leads

Voltage [V]	Series	$R_{DS(on)}$ [mΩ]									
		0-59	60-89	90-149	150-199	200-299	300-400	401-600	601-899	900-1500	>1500
600	P7	24/37/45	60/80	99/120	180						
650	CFD7	18/29									



IPAK

Voltage [V]	Series	$R_{DS(on)}$ [mΩ]									
		0-59	60-89	90-149	150-199	200-299	300-400	401-600	601-899	900-1500	>1500
600	CE									1000/1500	2100
800	P7							600	750	900/1200/1400	2000/2400/ 3300/4500
	CE									1000	
950	P7							450	750	1200	2000/3700



IPAK Short Lead

Voltage [V]	Series	$R_{DS(on)}$ [mΩ]									
		0-59	60-89	90-149	150-199	200-299	300-400	401-600	601-899	900-1500	>1500
600	CE						400		650/800	1000/1500	2100/3400
	PFD7					210/280	360	600		1000	
650	CE						400		650	1000	
700	P7						360/600			900/1400	
	CE									950/1400	2000
800	P7							600	750	900/1200/1400	2000/2400



IPAK Short Lead with ISO Standoff

Voltage [V]	Series	$R_{DS(on)}$ [mΩ]									
		0-59	60-89	90-149	150-199	200-299	300-400	401-600	601-899	900-1500	>1500
700	P7						360	450/600	750	900/1200/1400	2000
	CE							600		950/1400	2000



I²PAK

Voltage [V]	Series	$R_{DS(on)}$ [mΩ]									
		0-59	60-89	90-149	150-199	200-299	300-400	401-600	601-899	900-1500	>1500
600	CPA			99							
650	CFD2				190						
700	CE									950	
900	C3						340	500		1200	



DPAK

Voltage [V]	Series	$R_{DS(on)}$ [mΩ]									
		0-59	60-89	90-149	150-199	200-299	300-400	401-600	601-899	900-1500	>1500
500	CE					280	380	500	650/800	950/1400	2000/3000
600	P7				180	280	360	600			
	C7				180						
	CE						400	460	650/800	1000/1500	2100/3400
	P6						380	600			
650	CFD7			145	170	210/280	360				
	PFD7					210/280	360	600		1000/1500	2000
	C7				190	225					
	CE						400		650	1000/1500	
700	CFD2							420	660	950/1400	
	CFDA							420	660		
	P7						360	600		900/1400	
800	CE							600		950/1400	2000
	P7					280	360	450/600	750	900/1200/1400	2000/2400 3300/4500
	C3									900/1300	2700
	C3A										2700
900	CE									1000/1400	2800
	C3									1200	
950	P7							450	750	1200	2000
	PFD7							450*			

www.infineon.com/coolmos-latest-packages

ACTIVE & PREFERRED

* Coming soon

For more details on the product, click on the part number, visit infineon.com or contact our [product support](#).



**D²PAK**

Voltage [V]	Series	$R_{DS(on)}$ [mΩ]									
		0-59	60-89	90-149	150-199	200-299	300-400	401-600	601-899	900-1500	>1500
600	C7	40	60	99/120	180						
	P7	45	60/80	99/120	180	280	360				
	CPA			99		299					
	CFD7	40 55	70	90/105 125/145	170	210 280	360				
650	CFD7	41		90/110/125	155						
	C7	45	65	95/125	190	225					
	CFD2			110	150/190		310				
	CFDA			110	150/190		310		660		
	CFD7A	50	75	99/115/145	190	230					
800	C3					290					
900	C3						340				

**D²PAK 7-pin**

Voltage [V]	Series	$R_{DS(on)}$ [mΩ]									
		0-59	60-89	90-149	150-199	200-299	300-400	401-600	601-899	900-1500	>1500
650	CFD7A	50	75	99/115	145/190	230					

**Double DPAK (DDPAK)**

Voltage [V]	Series	$R_{DS(on)}$ [mΩ]									
		0-59	60-89	90-149	150-199	200-299	300-400	401-600	601-899	900-1500	>1500
600	CFD7	45/55	75	90/105/ 125/145	170						
	G7	50	80	102/125	150/190						

**QDPAK TSC**

Voltage [V]	Series	$R_{DS(on)}$ [mΩ]									
		0-59	60-89	90-149	150-199	200-299	300-400	401-600	601-899	900-1500	>1500
600	S7	10/17*/22/40	65								
	S7A	10*/17*/22*/40*									
650	CFD7	17*/29*/40*	60*/80*	99*/125*							
	CFD7A	17*/29*/40*	60*/80*	99*/125*							

**QDPAK BSC**

Voltage [V]	Series	$R_{DS(on)}$ [mΩ]									
		0-59	60-89	90-149	150-199	200-299	300-400	401-600	601-899	900-1500	>1500
600	S7	10/17*/22*/40*									
	S7A	10/17*/22*/40*									
650	CFD7	17*/29*/40*	60*								
	CFD7A	17*/29*/40*	60*/80*	99*/125*							

**TO-220 FullPAK**

Voltage [V]	Series	$R_{DS(on)}$ [mΩ]									
		0-59	60-89	90-149	150-199	200-299	300-400	401-600	601-899	900-1500	>1500
500	CE				190	280	380	500	800	950	
600	P7		60/80	99/120	160/180	280	360	600			
	C7		60	99/120	180						
	CE						400	460	650	1000/1500	
	CFD7			125	170	280	360				
650	P6			99/125	160/190	230/280	380	600			
	C7	45	65	95/125	190	225					
	CE						400		650	1000/1500	
700	CFD2			110	150/190		310	420	660		
800	P7						360	450/600	750	900	
	P7					280	360	450/600	750	900/1200/1400	
	C3					290		450	650	900/1300	
	CE						310	460	650	1000/1400	
900	C3						340	500	800	1000/1200	
950	P7							450	750	1200	
	PFD7			130*			310*	450*			

**TO-220 FullPAK Narrow Lead**

Voltage [V]	Series	$R_{DS(on)}$ [mΩ]									
		0-59	60-89	90-149	150-199	200-299	300-400	401-600	601-899	900-1500	>1500
500	CE							500			
600	CE								650/800		
	P7				180	280	360	600			
	PFD7			125		210/280	360				
650	CE								650		
700	P7						360	450/600	750	900	
800	P7					280	360	450			

www.infineon.com/coolmos-latest-packages

ACTIVE & PREFERRED

*Coming soon

For more details on the product, click on the part number.



TO-Leadless

Voltage [V]	Series	$R_{DS(on)}$ group [mΩ]									
		0-59	60-89	90-149	150-199	200-299	300-400	401-600	601-899	900-1500	>1500
600	CFD7	35/45/55	75	90/105/125/145							
	G7	28/50	80	102/125	150						
	S7	22/40	65								
650	CFD7	40*	60*/80*	99*/125*	155*/190*						



TO-220

Voltage [V]	Series	$R_{DS(on)}$ [mΩ]									
		0-59	60-89	90-149	150-199	200-299	300-400	401-600	601-899	900-1500	>1500
500	CE				190	280	380				
600	P7		60/80	99/120	160/180	280	360	600			
	C7	40	60	99/120	180						
	P6			99/125	160/190	280					
	CFD7		70	90/105/125/145	170	280	360				
	CPA			99							
	S7	22									
	650	CFD7	41	60	90/110	155	190				
C7		45	65	95/125	190	225					
CFD2				110	150/190		310	420			
CFDA		50		99/110/115	150/190		310		660		
CFD7A		50/75*		99/115/145*	190						
800	P7					280	360	450/600	750	900/1200/1400	
	C3					290		450	650	900/1300	



TO-220 FullPAK Wide Creepage

Voltage [V]	Series	$R_{DS(on)}$ [mΩ]									
		0-59	60-89	90-149	150-199	200-299	300-400	401-600	601-899	900-1500	>1500
600	P7				180	280	360	600			
	CE				190	280	380	600			
700	CE							600		950	



ThinPAK 5x6

Voltage [V]	Series	$R_{DS(on)}$ [mΩ]									
		0-59	60-89	90-149	150-199	200-299	300-400	401-600	601-899	900-1500	>1500
600	PFD7						360	600		1000/1500	
700	P7							600	750	900/1200/1400	2000
800								600	750	900/1200/1400	2000

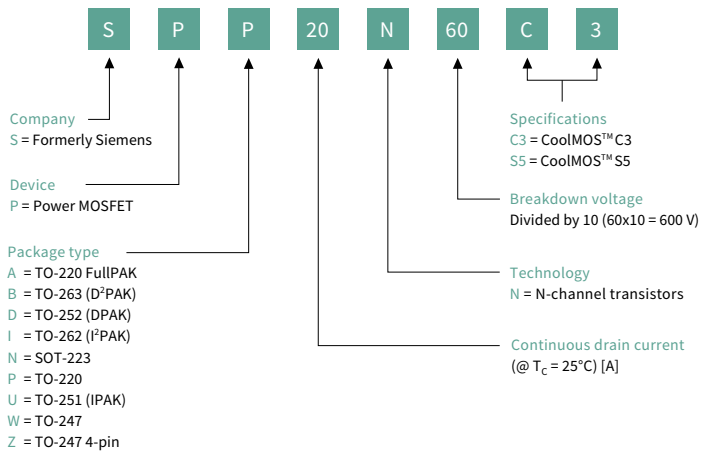


ThinPAK 8x8

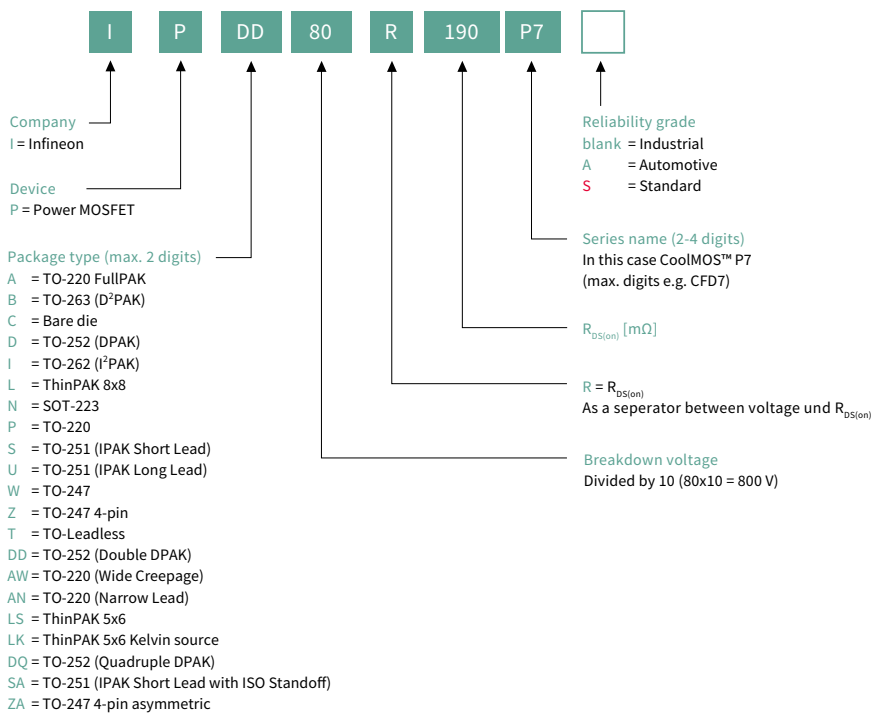
Voltage [V]	Series	$R_{DS(on)}$ [mΩ]									
		0-59	60-89	90-149	150-199	200-299	300-400	401-600	601-899	900-1500	>1500
600	P7		65/85	105/125	185	285	365				
	C7		65	104/125	185						
	CFD7		60/75	95/115/140	160/185	225					
	P6				180	210					
650	CFD7		65	95/115/130	160	200					
	C7		70	99/130	195	230					
	CFD2				165	210	340				

Nomenclature

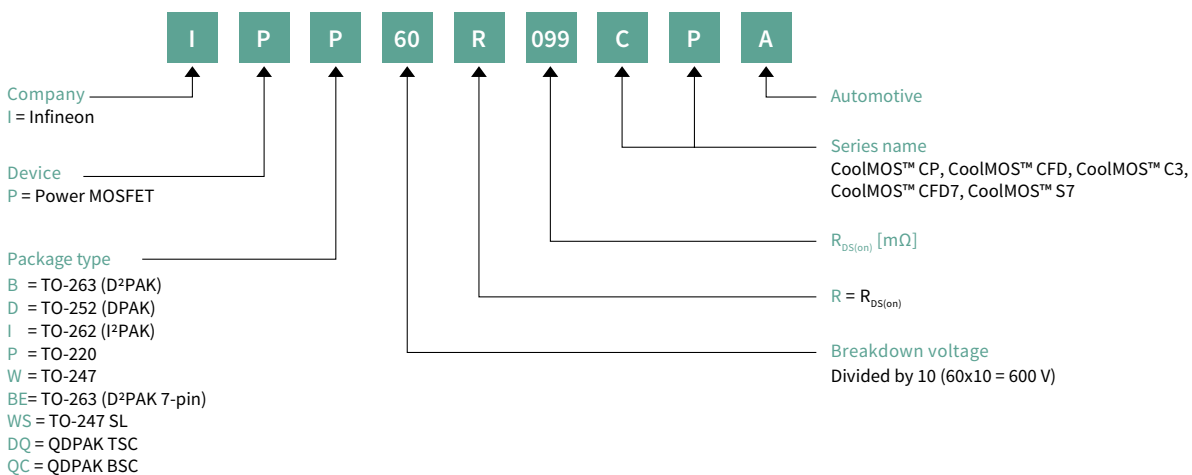
Power MOSFETs (until 2005)



Power MOSFETs (from October 2015 onwards)



Automotive MOSFETs





Infineon support for high-voltage MOSFETs

Useful links and helpful information

Further information, datasheets and documents

www.infineon.com/coolmos

www.infineon.com/coolmos-latest-packages

www.infineon.com/coolmos-automotive

www.infineon.com/gan

Evaluationboards and simulation models

www.infineon.com/coolmos-boards

www.infineon.com/powermosfet-simulationmodels





Gate-driver ICs

- › Infineon gate-driver IC technologies
- › Infineon gate-driver IC applications
- › How to choose a gate driver
- › Silicon carbide MOSFET gate-driver ICs
- › Driver configuration overview
- › Gate-driver ICs portfolio
- › Infineon gate driver IC package options
- › EiceDRIVER™ non-isolated low-side gate drivers
- › 2EDN EiceDRIVER™ family
- › EiceDRIVER™ 1EDN71x6G/U family
- › EiceDRIVER™ 2EDL8x2x family
- › MOTIX™ 6EDL7141 high performance motor control
- › MOTIX™ 160 V SOI gate-driver family
- › EiceDRIVER™ 650 V level-shift SOI gate driver family
- › EiceDRIVER™ 1200 V level-shift SOI gate driver family
- › 2EDi EiceDRIVER™ family
- › EiceDRIVER™ X3 Compact and 2L-SRC Compact
- › EiceDRIVER™ Enhanced 1ED-F3 and X3 Analog
- › EiceDRIVER™ Enhanced X3 Digital
- › EiceDRIVER™ APD 2ED4820-EM
- › EiceDRIVER™ 1EDI302xAS/1EDI303xAS
- › Gate driver nomenclature

Dear users!

Our customers are at the heart of everything we do. Please give us feedback on how we can improve to meet your expectations with this document the best.

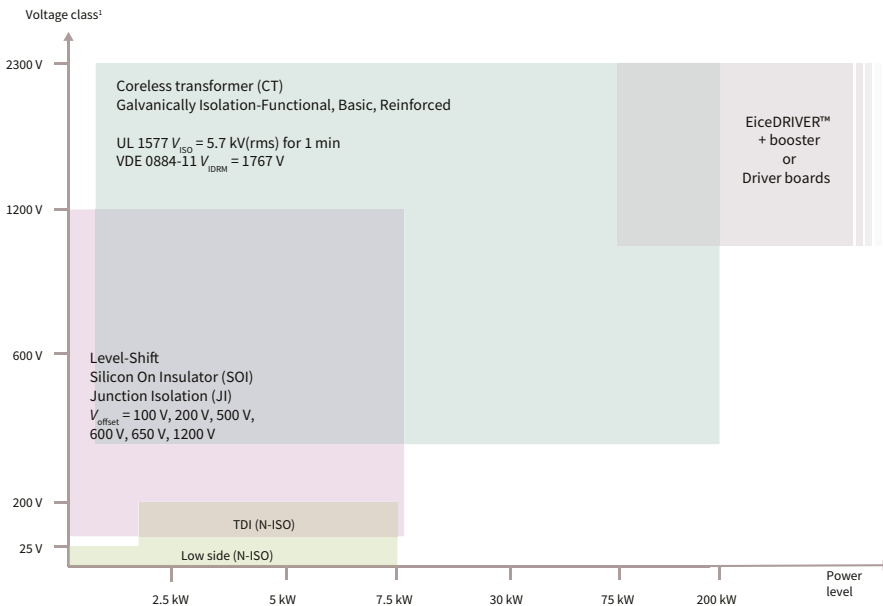


EiceDRIVER™ and MOTIX™ gate-driver IC

Gate-driver ICs serve as the interface between control signals (digital or analog controllers) and power switches (IGBTs, MOSFETs, SiC MOSFETs, and GaN HEMTs). The integrated gate driver solutions reduce design complexity, development time, bill of materials (BOM), and board space while improving reliability over discretely-implemented gate-drive solutions.

Every switch needs a driver, the right driver makes a difference. Infineon offers a comprehensive portfolio of EiceDRIVER™ gate-driver ICs with a variety of configurations, voltage classes, isolation levels, protection features, and package options. EiceDRIVER™ gate-driver ICs are complementary to Infineon IGBT discretely and modules, silicon (CoolMOS™, OptiMOS™ and StrongIRFET™) and silicon carbide MOSFETs (CoolSiC™), gallium nitride HEMTs (CoolGaN™), or as part of integrated power modules (CIPOST™ IPM and iMOTION™ smart IPM).

In addition, MOTIX™ gate driver is part of the MOTIX™ scalable product portfolio for low-voltage motor control solutions including MOTIX™ Driver, MOTIX™ Bridge, MOTIX™ SBC, and MOTIX™ MCU.



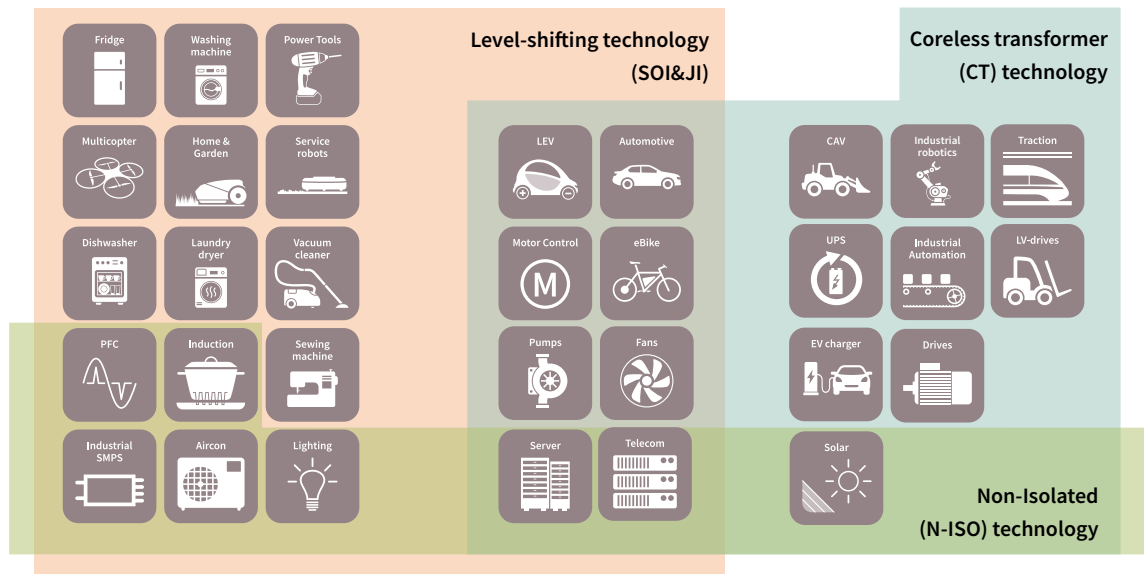
Gate driver configuration			25 V	25 - 105 V	200 V	500 V	600 V	650 V	1200 V	2300 V
Gate drivers	1-Channel	Isolated							●	●
		High-side		● ●	● ●	●	●			
		Low-side	●							
	2-Channel	Isolated			●			●	●	
		High-side		●						
		Low-side	●							
		High-side + Low side			● ●	●	● ●	●	●	
	4-Channel	Half-bridge		●	● ●		●	●	●	
	6-Channel	Three-phase			●		● ●		● ●	

● Non-isolated (N-ISO) ● Junction isolation (JI) ● Silicon on insulator (SOI) ● Coreless transformer (CT)


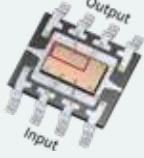
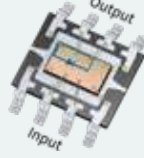

Note 1 Voltage class on the top row is defined base on different driver configurations for the maximum Voltage class.
 1. For single high-side, high-side and low-side, half bridge and three phase gate drivers, voltage class is defined as switch break down voltage in applications.
 2. For low side drivers (N-ISO), voltage class is defined as maximum operating range supply voltage.
 3. For special cases as LEDN550 (LEDN-TDI, N-ISO), voltage class is defined as maximum bus voltage (highest floating voltage it can manage).

Infineon gate-driver IC applications

Leveraging the application expertise and advanced technologies of Infineon and International Rectifier, EiceDRIVER™ gate-driver ICs are well-suited for many applications such as industrial motor drives, home appliances, solar inverters, automotive applications, EV charging, UPS, switch-mode power supplies (SMPS), high-voltage lighting, battery-powered applications, and so on.

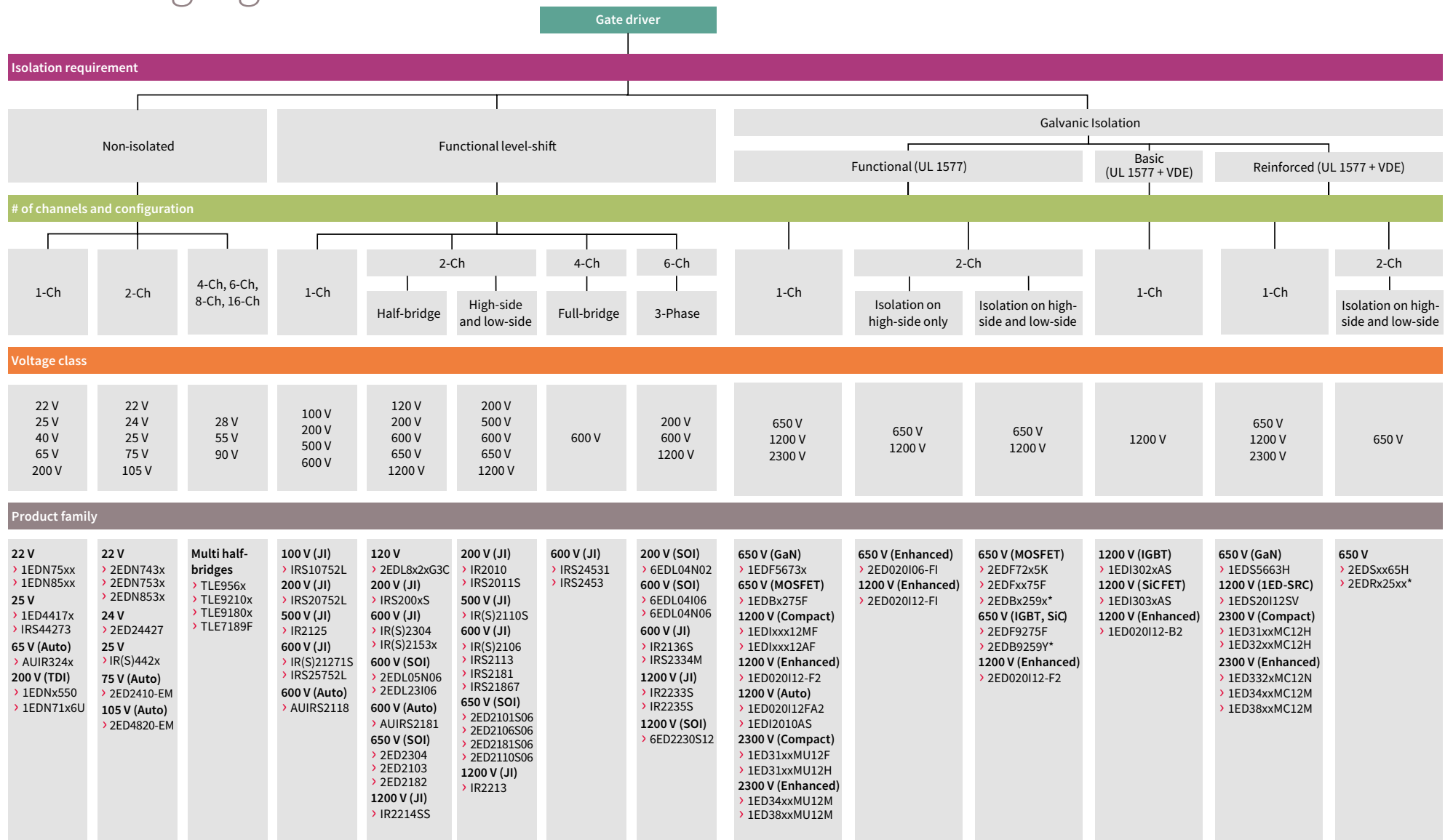


Infineon gate-driver IC technologies

Non-isolated GD	Level-shift GD		Isolated GD
● Non-isolated (N-ISO)	● Junction isolation (JI)	● Silicon on insulator (SOI)	● Coreless transformer (CT)
 <ul style="list-style-type: none"> › Monolithic construction of ground-reference gate drivers for 20 V to 35 V supply voltage applications › Comprehensive families of single- and dual-low-side drivers with flexible options for output current, logic configurations and UVLOs (plus non-isolated TDI) › Uses rugged and high-performance technologies of HVIC process or state-of-the-art 130 nm process 	 <ul style="list-style-type: none"> › Monolithic construction of one to six gate drive channels up to 1200 V rating › Industrial pioneering high-voltage IC (HVIC technology) used in all high-voltage gate drive applications › Gen 2 technology (IR prefix): Industrial pioneering HVIC process › Gen 5 technology (IRS prefix): Cost-effective pin-to-pin versions of Gen 2 	 <ul style="list-style-type: none"> › Monolithic construction of 2 to 6 gate drive channels up to 1200 V rating › Built-in PN-based bootstrap diode (36 Ω typ.) for simplified bootstrap operation & reduced PCB area › Negative transient immunity to prevent latch-up: -100 V for 300 ns › >50 percent lower level-shift losses for higher efficiency, higher frequency operation, smaller heat sinks, and higher reliability 	 <ul style="list-style-type: none"> › Two separate chips solution with magnetic coupling providing galvanically isolated single- and dual channel gate drivers › VDE 0884-11 isolation technology providing isolation up to 8 kVpk V_{IO}™ and up to ±2300 V functional isolation › CMTI of more than 300 V/ns › Strongest gate-drive output currents (up to ±18 A) reducing need for external booster



Choosing a gate-driver IC



www.infineon.com/gatedriver

* Coming soon

Silicon carbide MOSFET gate-driver ICs

Ultra-fast switching 650 V to 2000 V power transistors such as CoolSiC™ SiC MOSFETs can be more easily handled by isolated gate driver solutions. Therefore, the following EiceDRIVER™ isolated gate drivers based on Infineon coreless transformer technology are recommended as most suitable. For a larger selection of isolated gate drivers, refer to the product portfolio overview section of this selection guide.

The following EiceDRIVER™ isolated gate drivers incorporate the most important key features for driving SiC MOSFET such as tight propagation delay matching, precise input filters, wide output supply voltage range, negative gate voltage capability, extended CMTI capability, Miller clamp, and DESAT protection.

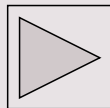
Product family	Part number	Typ. current	V_{CC2} $-V_{EE2}$	UVLO	Prop. delay (accuracy)	CMTI	Other key features	Package
Achieve high efficiency and power density: take advantage of low propagation delay and high CMTI								
EiceDRIVER™ 1EDB 1-channel family	1EDB9275F 1EDB6275F	5 / 9 A	20 V	14.9 / 14.4 V 12.2 / 11.5 V	45 ns (+6 / -4 ns)	300 V/ns	Separate source/sink outputs, fast start-up times and fast recovery, basic isolation, UL 1577	DSO8, 150 mil
EiceDRIVER™ 2EDi 2-channel family	2EDR9259X* 2EDR9258X* 2EDR6258X*	5 / 9 A	20 V	14.9 / 15.4 V 14.9 / 15.4 V 12.5 / 11.5 V	38 ns (+9 / -5 ns)	150 V/ns	2EDi Gen 2, dead-time control, disable/enable, reinforced isolation, UL 1577, VDE-11, IEC 62368-1, GB4943.1	DSO-14, 300mil
	2EDB9259Y*			14.9 / 15.4 V			2EDi Gen 2, dead-time control, basic isolation, UL 1577, GB4943.1	DSO-14, 150 mil
EiceDRIVER™ 1EDN-TDI 1-channel family	1EDN6550B 1EDN9550B	4 / 8 A	20 V	12.2 / 11.5 V 14.9 / 14.4 V	45 ns (+10 / -7 ns)	N/A	Separate source/sink outputs	SOT23-6
Avoid parasitic turn-on: take advantage of Miller clamp options								
EiceDRIVER™ 1ED Compact 1-channel family	1EDI20I12MF 1EDI60N12AF	4 A 10 A	20 V 35 V	12.7 / 10.5 V 10 / 8 V	300 ns 125 ns	100 V/ns 100 V/ns	Miller clamp, functional isolation Separate source/sink outputs, functional isolation	DSO8, 150 mil
EiceDRIVER™ X3 Compact 1-channel family	1ED3124MC12H 1ED31xxMU12F	5.5 / 10 / 14 A	35 V	12.5 / 10.5 V 14.2 / 12 V	90 ns (+/- 7 ns)	200 V/ns	Miller clamp, reinforced isolation, UL 1577 and VDE-11	DSO8, 300 mil DSO8, 150 mil
EiceDRIVER™ 2L-SRC Compact 1-channel family	1ED32xxMC12H	10 / 18 A	35 V	12.5 / 10.4 V	110 ns (+/- 15 ns)	200 V/ns	Two-level slew-rate control, Miller clamp, reinforced isolation, UL 1577 and VDE-11	DSO8, 300 mil
Short-circuit protect your CoolSiC™: take advantage of the fast and accurate DESAT protection								
EiceDRIVER™ X3 Analog 1-channel family	1ED34x1MC12M	3 / 6 / 9 A	35 V	12.6 / 10.4 V	244 ns (+/- 30 ns)	200 V/ns	Analog configurable, fast and accurate short circuit protection and soft turn-off Miller clamp, reinforced isolation, UL 1577 and VDE-11	DSO-16, 300 mil
EiceDRIVER™ X3 Digital 1-channel family	1ED38x0MC12M	3 / 6 / 9 A	35 V	12.6 / 10.4 V default, but adjustable	244 ns (+/- 30 ns)	200 V/ns	Digital configurable (I ² C), fast and accurate short circuit protection, rich monitoring functionality (predictive maintenance) Miller clamp, reinforced isolation, UL 1577 and VDE-11	DSO-16, 300 mil
EiceDRIVER™ 1ED-F3 1-channel family	1ED332xMC12N	3 / 6 A	35 V	"12.6 / 10.4 V 13.6 / 12.6 V"	85 ns	300 V/ns	Miller clamp, short circuit protection, soft-off, reinforced isolation, UL 1577 and VDE-11	DSO-16, 300 mil
EiceDRIVER™ 2ED-F2 2-channel family	2ED020I12-F2	2 A	28 V	12.6 / 10.4 V	170 ns	50 V/ns	Miller clamp, short circuit protection	DSO-36, 300mil



Driver configuration overview

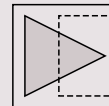
1-channel low-side driver

Allows low offset of the voltage between input and output



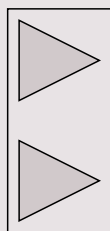
1-channel high-side driver

Allows high voltage offset between input and output



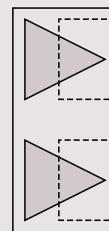
2-channel low-side driver

Both channels allow individual low voltage offsets, no interlock



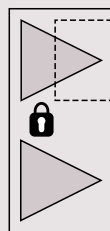
2-channel high-side driver

Both channels allow individual high voltage offsets, no interlock



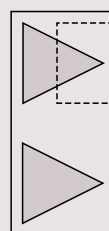
Half-bridge driver

Two interlocked channels for shoot through protection where one of the channels allows a high voltage offset.



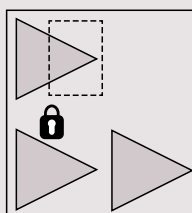
High- and low-side driver

Two non-interlocked channels, one for high voltage, one for low voltage offsets. The industry may also refer this as half-bridge.



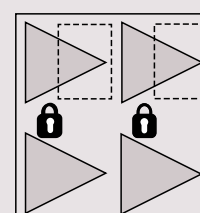
Half-bridge plus single low-side driver

Half-bridge with one additional low-side driver.



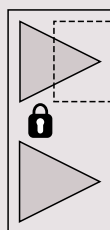
Full-bridge driver

Four channels in a package with two independent half bridges.



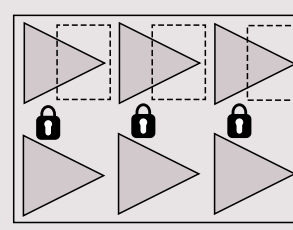
Synchronous-buck drivers

High speed drivers for dual high side and low side MOSFETs in synchronous rectified buck converters.



Three-phase bridge

Six channels in a package with three independent half bridges



Product overview

Infiniteon's gate-driver IC solutions are the expert's choice. With more than 400 reliable and efficient gate driver solutions, we provide a comprehensive portfolio for virtually any application. To ease the selection process, this overview is structured along the configurations of the gate-driver ICs, as opposed to application topology.

Non-isolated low side gate-driver IC						Technology	Features											
Configu-ration	Voltage class [V]	I _o /I _o typ. [mA]	UVLO on/off typ. [V]	Prop delay off/on typ. [ns]	Base PN		Enable	Over-current protection	Programmable fault clear time	Separate sink/source outputs	DSO8	DIP-8	SOT23-5	SOT23-6	WSON-6	WSON-8	TSSOP-8	
							✓	✓	✓	✓	✓	✓	✓	✓	✓	✓	✓	✓
1-channel	25	2.6/2.6	8.0/7.3	34/34	1ED44173N01B	NEW	N-ISO	✓	✓	✓								
		2.6/2.6	11.9/11.0	50/50	1ED44175N01B	NEW	N-ISO	✓	✓	✓								
		0.8/1.75	11.9/11.4	50/50	1ED44176N01F	NEW	N-ISO	✓	✓	✓	✓							
		2.6/2.6	11.9/11.0	50/50	1ED44171N01B ¹⁾		N-ISO	✓	✓				✓					
		1.5/1.5	10.2/9.2	50/50	IRS44273L		N-ISO						✓					
	22	4/8	4.2/3.9	19/19	1EDN7511B		N-ISO			✓				✓				
		4/8	4.2/3.9	19/19	1EDN7512B		N-ISO					✓						
		4/8	4.2/3.9	19/19	1EDN7512G		N-ISO								✓			
		4/8	4.2/3.9	19/19	1EDN8511B		N-ISO			✓				✓				
		5	1.6/3.3	8.9/8	200/150	IR2121		N-ISO	✓	✓			✓					
2-channel	25	2.3/3.3	10.2/9.2	50/50	IRS44262S		N-ISO				✓							
		2.3/3.3	N.A.	50/50	IRS4426S		N-ISO				✓							
		2.3/3.3	N.A.	50/50	IRS4427S		N-ISO				✓							
		2.3/3.3	N.A.	65/85	IR25600S		N-ISO				✓							
		2.3/3.3	N.A.	65/85	IR4426S		N-ISO				✓							
		2.3/3.3	N.A.	65/85	IR4427S		N-ISO				✓							
	24	10/10	11.5/10.0	40/55	2ED24427N01F	NEW	N-ISO	✓				✓						
	22	5/5	4.2/3.9	19/19	2EDN7523F		N-ISO	✓			✓							
		5/5	4.2/3.9	19/19	2EDN7523G		N-ISO	✓								✓		
		5/5	4.2/3.9	19/19	2EDN7523R		N-ISO	✓									✓	
		5/5	4.2/3.9	19/19	2EDN7524F		N-ISO	✓			✓							
		5/5	4.2/3.9	19/19	2EDN7524G		N-ISO	✓								✓		
		5/5	4.2/3.9	19/19	2EDN7524R		N-ISO	✓									✓	
		5/5	8.0/7.0	19/19	2EDN8523F		N-ISO	✓			✓							
		5/5	8.0/7.0	19/19	2EDN8523R		N-ISO	✓										✓
		5/5	8.0/7.0	19/19	2EDN8524F		N-ISO	✓			✓							
		5/5	8.0/7.0	19/19	2EDN8524R		N-ISO	✓										✓
		4/4	4.2/3.9	19/19	2EDN7424F		N-ISO	✓			✓							
		4/4	4.2/3.9	19/19	2EDN7424R		N-ISO	✓										✓
		4/4	4.2/3.9	19/19	2EDN7434F		NEW	N-ISO	✓			✓						
		4/4	4.2/3.9	19/19	2EDN7434R		NEW	N-ISO	✓									✓
		5/5	4.2/3.9	19/19	2EDN7533B		NEW	N-ISO						✓				
		5/5	4.2/3.9	19/19	2EDN7533F		NEW	N-ISO	✓			✓						
		5/5	4.2/3.9	19/19	2EDN7533R		NEW	N-ISO	✓								✓	
		5/5	4.2/3.9	19/19	2EDN7534B		NEW	N-ISO						✓				
5/5		4.2/3.9	19/19	2EDN7534F		NEW	N-ISO	✓			✓							
5/5	4.2/3.9	19/19	2EDN7534R		NEW	N-ISO	✓									✓		
5/5	4.2/3.9	19/19	2EDN7534G		NEW	N-ISO	✓								✓			
5/5	8.0/7.0	19/19	2EDN8533F		NEW	N-ISO	✓			✓						✓		
5/5	8.0/7.0	19/19	2EDN8533R		NEW	N-ISO	✓									✓		
5/5	8.0/7.0	19/19	2EDN8534F		NEW	N-ISO	✓			✓								
5/5	8.0/7.0	19/19	2EDN8534R		NEW	N-ISO	✓									✓		

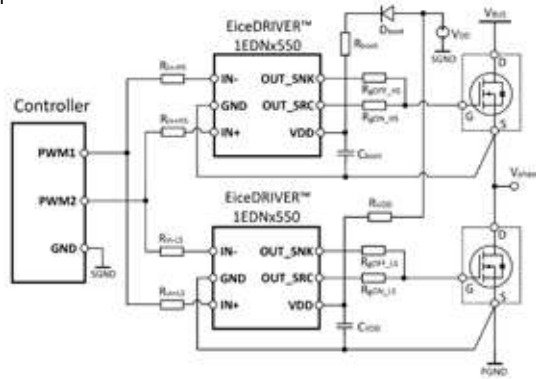
www.infineon.com/gatedriver
www.infineon.com/gdfinder

1) Coming soon

For more details on the product, click on the part number, visit www.infineon.com or contact our [product support](#).
 click on the part number.

Non-isolated TDI gate-driver IC

Typical connection



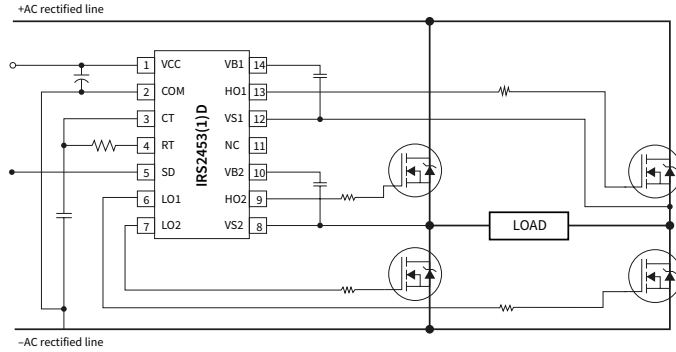
Configura-tion	Voltage class [V]	Io+/Io- typ. [mA]	UVLO on/off typ. [V]	Prop delay off/on typ. [ns]	Base PN	Technology	Features				Package				
							Adustable Negative charge pump	Active Miller clamp	Separate sink/source outputs	Truly differential inputs	SOT23-6	TSNP-6	TSNP-7	VSON-10	
1-channel	200	4/8	4.2/3.9	45/45	1EDN7550U	N-ISO			✓	✓			✓		
		4/8	4.2/3.9	45/45	1EDN7550B	N-ISO			✓	✓	✓				
		4/8	8.0/7.0	45/45	1EDN8550B	N-ISO			✓	✓	✓				
		4/8	12.2/11.5	45/45	1EDN6550B	NEW N-ISO			✓	✓	✓				
		4/8	14.9/14.4	45/45	1EDN9550B	NEW N-ISO			✓	✓	✓				
		2/2	3.85/3.75	55/55	1EDN7116G	NEW N-ISO	✓	✓		✓					✓
		2/2	3.85/3.75	55/55	1EDN7116U ¹⁾	N-ISO		✓		✓				✓	
		1.5/1.5	3.85/3.75	75/75	1EDN7126G	NEW N-ISO	✓	✓		✓					✓
		1.5/1.5	3.85/3.75	75/75	1EDN7126U ¹⁾	N-ISO		✓		✓				✓	
		1/1	3.85/3.75	105/105	1EDN7136G	NEW N-ISO	✓	✓		✓					✓
		1/1	3.85/3.75	105/105	1EDN7136U ¹⁾	N-ISO		✓		✓				✓	
		0.5/0.5	3.85/3.75	125/125	1EDN7146G	NEW N-ISO	✓	✓		✓					✓
		0.5/0.5	3.85/3.75	125/125	1EDN7146U ¹⁾	N-ISO		✓		✓					✓

1) Coming soon



Full-bridge gate-driver ICs

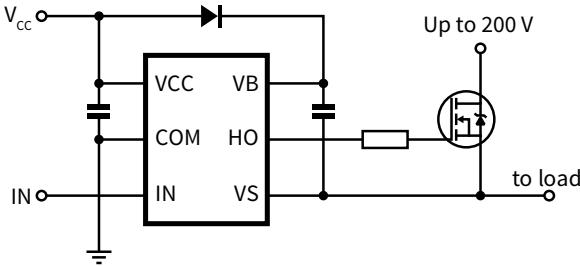
Typical connection



Voltage class [V]	I_{O+}/I_{O-} typ. [mA]	UVLO on/off typ. [V]	Prop delay off/on typ. [ns]	Base PN	Technology	Features			Package
						Integrated bootstrap diode	Shoot-through protection	Shutdown	
600	0.18/0.26	11/9	N.A.	IRS2453DS	J1	✓	✓	✓	✓
				IRS24531DS	J1	✓	✓	✓	✓

Single high-side gate-driver ICs

Typical connection



Voltage class [V]	I_{O+}/I_{O-} typ. [mA]	UVLO on/off typ. [V]	Prop delay off/on typ. [ns]	Base PN	Technology	Features			Package
						Fault reporting	Over-current protection	DSO8	
600	0.16/0.24	9/8	215/140	IRS25752L	J1				✓
	0.25/0.5	8.6/8.2	105/125	IR2117S	J1			✓	
	0.25/0.5	8.6/8.2	105/125	IR2118S	J1			✓	
	0.25/0.5	10.3/9	150/200	IR2127S	J1	✓	✓	✓	
	0.25/0.5	10.3/9	150/200	IR2128S	J1	✓	✓	✓	
	0.25/0.5	7.2/6.8	150/200	IR21271S	J1	✓	✓	✓	
	0.29/0.6	8.6/8.2	105/125	IRS2117S	J1			✓	
	0.29/0.6	8.6/8.2	105/125	IRS2118S	J1			✓	
	0.29/0.6	10.3/9	150/150	IRS2127S	J1	✓	✓	✓	
	0.29/0.6	7.2/6.8	150/150	IRS21271S	J1	✓	✓	✓	
500	1.6/3.3	9.2/8.3	200/170	IR2125S	J1	✓	✓		✓
200	0.16/0.24	9/8	215/140	IRS20752L	J1				✓
100	0.16/0.24	9/8	215/140	IRS10752L	J1				✓



Features

Addressing various application requirements, Infineon delivers solutions with an assortment of features intended to optimize performance, minimize size and reduce cost. Below is a table of additional gate-driver IC features available in the current portfolio.

Features	Abbreviation	Benefits
Active Miller clamp	M-CLAMP	Protection against inadvertent dynamic turn-on because of parasitic Miller effects
Active shutdown	SD-ACT	Ensures a safe IGBT off-state in case the output chip is not connected to the power supply or an undervoltage lockout is in effect
Brake chopper	BRAKE	Integrated brake IGBT driver with protection
Comparator	CMP	General purpose comparator included
Desaturation protection	DESAT	Protects the IGBT at short circuit
Enable	EN	Dedicated pin terminates all outputs
Fault reporting	FAULT-RPT	Indicates an overcurrent or under-voltage shutdown has occurred
Fault reset	FAULT-RST	Dedicated pin resets the DESAT-FAULT-state of the chip
High-voltage start-up	HVSTART	Provides easy and fast circuit start-up while enabling low circuit standby losses
Integrated bootstrap diode	BSD	Integrated bootstrap reduces BOM
Operational amplifier	OPAMP	An independent op-amp for current measurement or overcurrent detection
Oscillator	OSC	Integrated front end oscillator
Over-current protection (ITRIP)	OCP	Ensures safe application operation in case of overcurrent
Programmable dead time	DT-PROG	Dead time is programmable with external resistor for flexible design
Programmable fault clear time	FLTC	The length of the fault clear time period (t_{FLTC}) is programmed by external capacitor which connected between FLTC and VSS (C_{FLTC}).
Programmable shutdown	SD-PROG	A shutdown feature has been designed into a pin
Separate pin for logic ground	SEP-GND	Dedicated pin or logic ground for improved noise immunity
Separate sink/source outputs	SEP-OUT	Simplifies gate resistor selection, reduces BOM, and improves dV/dt control
Shoot-through protection	STP	Additional shoot-through protection logic such as interlock
Short-circuit clamping	SC-CLAMP	During short circuit the IGBT's gate voltage tends to rise because of the feedback via the Miller capacitance. An additional protection circuit connected to OUT+ limits this voltage to a value slightly higher than the supply voltage.
Shutdown	SD	Dedicated pin disables the IC outputs
Soft overcurrent shutdown	SD-SOFT	Dedicated pin turns off the desaturated transistor, preventing overvoltages
Truly Differential Inputs	TDI	#FEHLER!
Two-level turn-off	TLTO	Lowers VCE overshoots at turn-off during short circuits or overcurrent events
UL 1577	UL	Double galvanic isolation certification
Undervoltage lockout	UVLO	Ensures safe application operation by avoiding unexpected driver behavior at low voltages
VDE 0884-10 or VDE 0884-11	VDE	Reinforced galvanic isolation certifications for non-optical couplers



Infineon gate-driver IC package options

DSO8 (SOIC-8N)		DSO-28 (SOIC-28WB)		TSSOP-8	
DSO8 with power pad		DSO-36		TSSOP-28	
DSO8 300-mil (SOIC-8WB)		LCC-32 (PLCC-44)		VDSO-8	
DSO-14 (SOIC-14N)		LQFP-64		VQFN-14 (MLPQ 4X4 14L)	
DSO-16		MQFP-64		VQFN-28 (MLPQ 5X5 28L)	
DSO-16 300-mil (SOIC-16WB)		SOT23-5		VQFN-32	
DSO-16 (fine pitch)		SOT23-6		VQFN-34 (MLPQ 7X7 48L)	
DSO-18		SSOP-24		VQFN-48	
DSO-19		TFLGA-13		VSON-10	
DSO-20 (SOIC-20WB)		TQFN-48		WSO-6	
DSO-20 (fine pitch)		TSDSO-24		WSO-8	
DSO-20 WB		TSNP-6		CHIP	
DSO-24 (DSO-28 without 4 pins)		TSNP-7			

EiceDRIVER™ non-isolated low-side gate drivers

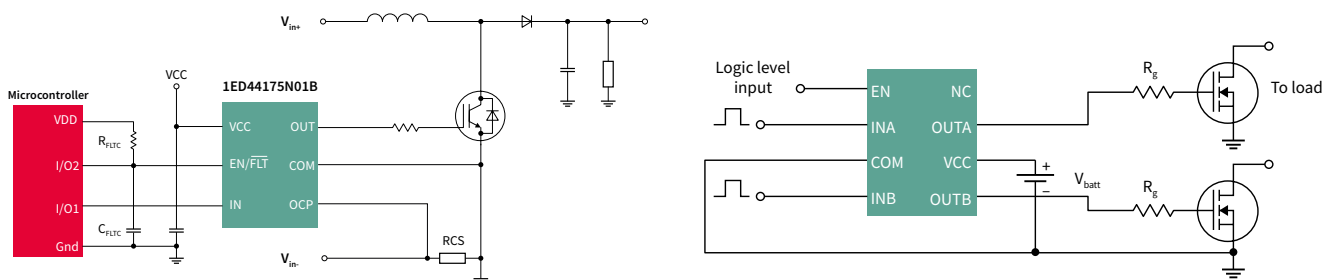
1ED4417x, 1-ch, low-side drivers with OCP, Enable, and Fault

2ED24427N01F, 10 A, 2-ch, low-side driver with Enable in DSO8 with thermal pad

EiceDRIVER™ 1ED4417x family are 1-channel low-voltage, non-inverting, low-side gate drivers designed for ground-referenced applications such as digitally controlled power-factor correction (PFC) circuits. This family provides an under voltage lockout protection (UVLO) and integrates fault output reporting to the controller and driver enable functionality in one pin. In addition, EiceDRIVER™ 1ED44173/5/6 integrate the overcurrent protection (OCP) comparator, realizing up to 20% cost and 50% space savings. The comparator features a fast and accurate current-sensing threshold tolerance of $\pm 5\%$. 1ED44176N01F has separate logic and power ground pins for operational robustness.

EiceDRIVER™ 2ED24427N01F is a high-current 10 A, 2-channel low-voltage, non-inverting, low-side gate driver in a DSO8 package with thermally efficient, exposed power pad. Propagation delays between two channels are matched. In half-bridge LLC or full-bridge ZVS topologies, 2ED24427N01F can easily drive low $R_{DS(on)}$ high-voltage MOSFETs at high switching frequencies. In synchronous rectification, more than two MOSFETs can be paralleled and driven from a single channel of the driver. One 2ED24427N01F device can efficiently drive both synchronous rectification legs. When higher current is needed, 2ED24427N01F can boost the current from a regular gate driver and drive high-current IGBTs and MOSFETs.

Simplified application diagram



Part Number	Package	$I_{O\pm}$ [A]	UVLO [V]	V_{OCTH} [mV]	$T_{on/off}$ [ns]	Ground pins	Feature
1ED44171N01B*	SOT23-5	2.6/2.6 A	11.9/11.4 V	N/A	50/50 ns	COM	Enable, Fault
1ED44173N01B	SOT23-6	2.6/2.6 A	8/7 V	-250 mV	34/34 ns	COM	OCP (negative current sensing), Enable, Fault
1ED44175N01B	SOT23-6	2.6/2.6 A	11.9/11.4 V	-250 mV	50/50 ns	COM	OCP (negative current sensing), Enable, Fault
1ED44176N01F	DSO8	0.8/1.75 A	11.9/11.4 V	500 mV	50/50 ns	VSS / COM	OCP (positive current sensing), Enable, Fault, Programmable fault clear time
2ED24427N01F	DSO8 with Power Pad	10/10 A	11.5/10 V	N/A	40/55 ns	COM	Enable

Evaluation and reference board

- > EVAL-1ED44176N01F
- > EVAL-1ED44175N01B
- > EVAL-1ED44173N01B
- > EVAL-PFC5KIKWWR5SYS
- > EVAL-2ED2101-HB-LLC
- > REF-AIRCON-C302A-IM564

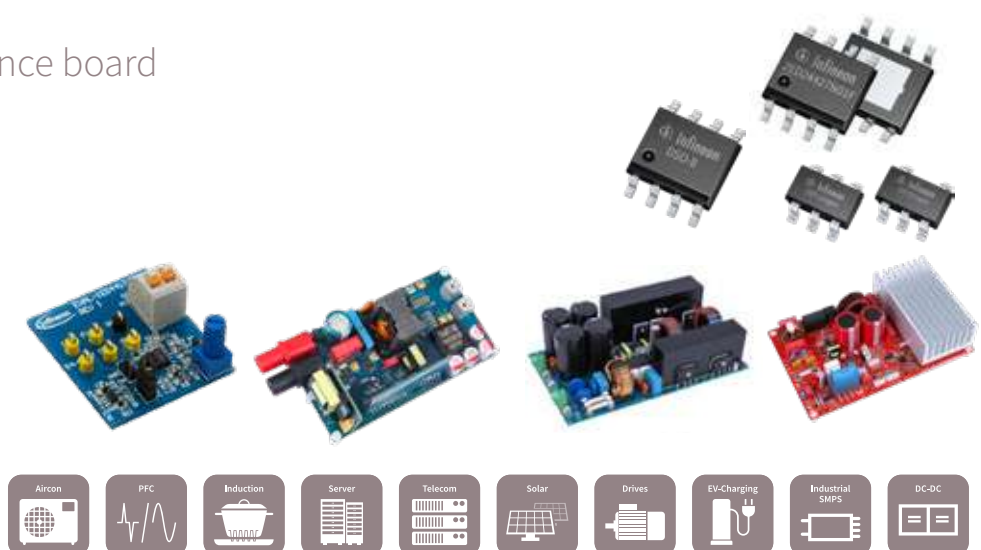
www.infineon.com/1ED44173

www.infineon.com/1ED44175

www.infineon.com/1ED44176

www.infineon.com/2ED24427

*Coming soon



For more details on the product, click on the part number, visit infineon.com or contact our [product support](#).

2EDN EiceDRIVER™ family

Rugged, fast, dual-channel low-side 4 A/5 A gate-driver ICs

EiceDRIVER™ 2EDN family overview

Dual-channel driver ICs are the crucial link between control ICs and powerful MOSFET, wide band gap (WBG) switching devices. Driver ICs enable high system level efficiencies, excellent power density and consistent system robustness.

EiceDRIVER™ 2EDN family: Fast, precise and compatible

- › Highly efficient SMPS enabled by 19 ns propagation delay and 2 ns channel-to-channel mismatch precision for fast MOSFET, WBG switches
- › Diversified applications driven by strong output current 4 A/5 A per channel
- › Unique designs are supported by the availability of numerous packages

EiceDRIVER™ 2EDN family: The new reference in ruggedness and low power dissipation

- › 4 V and 8 V UVLO (undervoltage lock out) options for instant FETs protection under abnormal conditions, further improved with active output voltage clamping
- › -10 V robustness of control and enable inputs provides crucial safety margin when driving pulse transformers or driving FETs in various packages
- › 5 A reverse output current robustness eliminates the need for Schottky switching diodes and reduces bill-of-material
- › Cool driver ICs from true rail-to-rail low impedance output stages

Applications

- › Server
- › Telecom
- › DC-DC Converters
- › Power tools
- › Industrial SMPS
- › Low speed electrical vehicles
- › Solar power inverter
- › LED lighting



Key features	Product benefits	System benefits
<ul style="list-style-type: none"> › 5 A source/sink current › 2 ns channel-to-channel mismatch › 10 ns minimum input pulse width 	<ul style="list-style-type: none"> › Fast Miller plateau transition › Precise timing 	<ul style="list-style-type: none"> › High power efficiency <ul style="list-style-type: none"> - in hard switching PFC with SiC diode - in half-bridges and synchronous rectifications
<ul style="list-style-type: none"> › True rail-to-rail low impedance output stages 	<ul style="list-style-type: none"> › Low power dissipation in driver IC 	<ul style="list-style-type: none"> › Cooler driver IC operation › Higher FETs drive capability
<ul style="list-style-type: none"> › 4 V and 8 V UVLO options, with active output voltage clamping › 19 ns propagation delay for both control and enable 	<ul style="list-style-type: none"> › Fast and reliable FETs turn-off, independent of control IC 	<ul style="list-style-type: none"> › Instant FETs protection under abnormal operation
<ul style="list-style-type: none"> › -10 V robustness of control and enable inputs 	<ul style="list-style-type: none"> › Increased GND-bounce robustness 	<ul style="list-style-type: none"> › Crucial safety margin to drive pulse transformer
<ul style="list-style-type: none"> › 5 A reverse output current robustness 	<ul style="list-style-type: none"> › Saves switching diodes 	<ul style="list-style-type: none"> › Increases power density › BOM savings
<ul style="list-style-type: none"> › 2 independent channels 	<ul style="list-style-type: none"> › Option to increase drive current by truly concurrent switching of 2 channels 	<ul style="list-style-type: none"> › One IC covering many applications
<ul style="list-style-type: none"> › Industry standard pinout and packages 	<ul style="list-style-type: none"> › Straight forward design upgrades 	<ul style="list-style-type: none"> › Short time to market

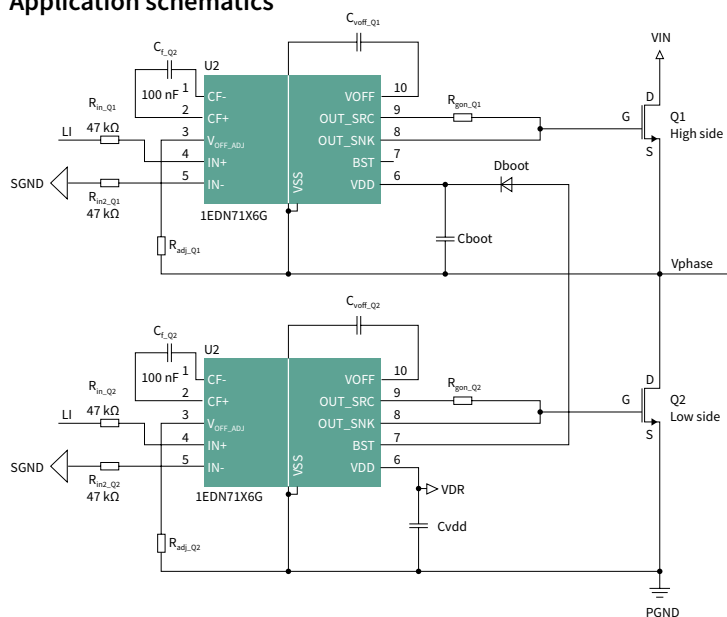


EiceDRIVER™ 1EDN71x6G/U family

200 V 1-ch gate drivers with truly differential input (TDI)

The 1EDN71x6G/U is a 1-channel gate driver family optimized for Infineon CoolGaN™ Schottky-gate (SG) HEMTs, and also compatible with other GaN SG HEMTs and silicon MOSFETs. The TDI feature eliminates the risk of false triggering due to ground bounce in low-side applications and enable 1EDN71x6G/U to address even high-side applications. The TDI feature works by controlling the gate driver output state exclusively by the voltage difference between the two inputs, completely independent of the driver's reference (ground) potential as long as the common-mode voltage is below 150 V (static) and 200 V (dynamic).

Application schematics



Features and benefits

Product features
> Truly differential logic input (TDI)
> Four driving strengths
> Active Miller clamp
> Optional negative charge pump
> Active bootstrap capacitor

Product benefits
> High-side driving and low-side ground bounce immunity
> Optimize switching speed without external gate resistors
> Prevent induced turn-on
> Additional induced turn-on immunity
> No overcharging the bootstrap capacitor during deadtime

Product family

Product	Output current	Source/sink resistance	Input pulse blanking time	Package
1EDN7116G	2 A	0.8 Ω	20 ns	VSON-10
1EDN7126G	1.5 A	1.0 Ω	40 ns	vVSON-10
1EDN7136G	1 A	1.5 Ω	60 ns	VSON-10
1EDN7146G	0.5 A	3.0 Ω	80 ns	VSON-10
1EDN7116U*	2 A	0.8 Ω	20 ns	TSNP-7
1EDN7126U*	1.5 A	1.0 Ω	40 ns	TSNP-7
1EDN7136U*	1 A	1.5 Ω	60 ns	TSNP-7
1EDN7146U*	0.5 A	3.0 Ω	80 ns	TSNP-7



www.infineon.com/1edn

* Coming soon



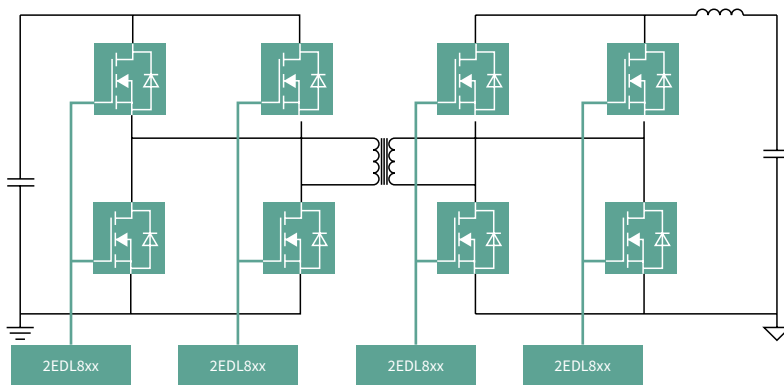
For more details on the product, click on the part number, visit infineon.com or contact our [product support](#).

EiceDRIVER™ 2EDL8x2x family

120 V, 3/4 A, junction-isolated high- and low-side gate drivers

The 2EDL8x2x is a family of high- and low-side gate driver designed for advanced switching DC-DC converters. The 2EDL802x takes in independent inputs while 2EDL812x takes in differential inputs with both having built-in hysteresis for enhanced noise immunity. The gate-driver family comes in two packages: VDSO-8 4x4 mm and VSON-10 3x3 mm.

Application schematics



Features and benefits

Product features
> 120 V integrated boot-strap diode with 10 ns reverse recovery time
> 2 A to 4 A output source currents
> 6 A output sink currents
> -8 V / + 15 V differential input robustness
> 5 A reverse current output robustness
> ±1 ns (typ.) channel-to-channel delay matching

Product benefits
> Drive strength for fast Miller plateau transition
> Fast and robust
> Immunity against false triggering from ground bounce
> No need for Schottky clamping diodes

Product family

Part no	Input	Source current	Sink current	Min. input pulse width	Propagation delay (typ.)	Matching delay (typ)	ESD	Package
2EDL8123G	Differential	3 A	6 A	40 ns	45 ns	2 ns	2 kV	VDSO-8 4x4 mm
2EDL8124G		4 A						
2EDL8023G	Independent	3 A						
2EDL8024G		4 A						
2EDL8123G3C*	Differential	3 A						VSON-10 3x3 mm
2EDL8124G3C*		4 A						
2EDL8023G3C*	Independent	3 A						
2EDL8024G3C*		4 A						

Evaluation board:

EVAL_HB_2EDL8x2xG*
REF_600W_FFB_QB*



www.infineon.com/2edl8

* Coming soon



For more details on the product, click on the part number, visit infineon.com or contact our [product support](#).



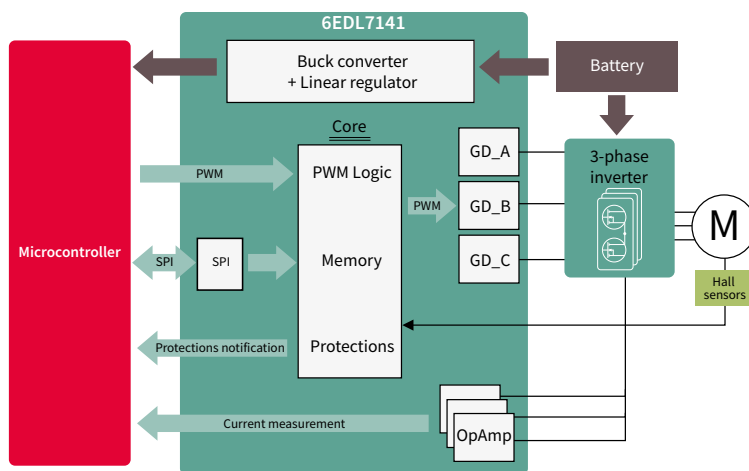
MOTIX™ 6EDL7141 high performance motor control

Next-generation fully programmable three-phase gate driver

6EDL7141, Infineon's latest three-phase motor control gate-driver IC allows our customers to develop their next generation of high performance battery operated products using BLDC or PMSM motors. Ideal applications include cordless power tools, gardening products, and automated guided vehicles. With over 50 fully programmable parameters using built-in digital SPI interface, **6EDL7141** is fully configurable to drive a wide range of MOSFET's to yield the best possible system efficiency. The integrated buck regulator provides the power for both the microcontroller and the Hall sensors in the motor, further reducing peripheral components and required PCB area. In addition, with a full suite of system protection features such as OCP, UVLO, over-temperature, and locked rotor detection, this dedicated motor controller will increase reliability and robustness in severe operating fault conditions.

Block diagram

Three-phase BLDC battery-powered motor control



Features and benefits

Key features
> Integrated power supply
> Programmable slew rate
> Programmable gate drive supply
> 3x current shunt amplifier
> ADC ref. of 5 V
> Complete dedicated motor control protection suite

Key benefits
> Reduced external components and PCB area
> Optimized efficiency and EMI
> Maximum flexibility to use different inverter FETs
> Highly accurate current sense while saving external components
> Higher dynamic range to increase signal resolution
> Improve reliability and fault detection



EVAL_6EDL7141_TRAP_1SH

BC 1 shunt evaluation board

Parallel 40 V OptiMOS™5 PQFN

XMC1404 MCU

On-board programming dongle

Featured module IC: **6EDL7141**

www.infineon.com/6edl7141

For more details on the product, click on the part number, visit infineon.com or contact our [product support](#).



MOTIX™ 160 V SOI gate-driver family

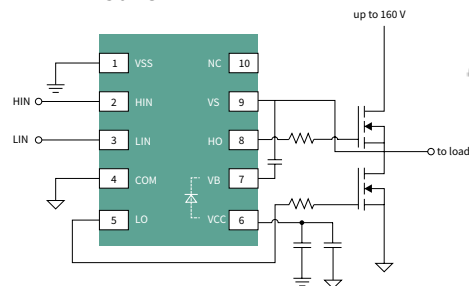
2ED27xxS01G half-bridge and high- and low-side gate-driver family with integrated bootstrap diode

6ED2742S01Q three-phase driver with charge pump, current sense amplifier, OCP and bootstrap diode

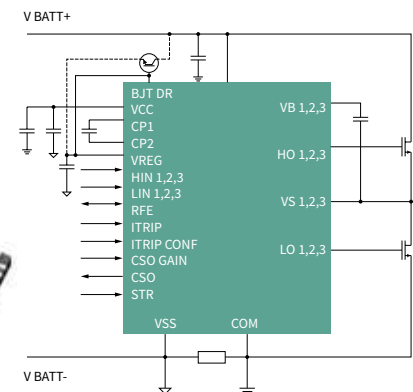
MOTIX™ 160 V SOI gate driver family is designed for the BLDC motor drive applications. The SOI technology enables integrated bootstrap diodes, which can be used to supply the external high-side bootstrap capacitor. The output drivers feature a high-pulse current buffer stage designed for minimum driver cross-conduction. MOTIX™ 2ED27xxS01G family consists of three half-bridge and three high- and low-side 160 V SOI gate drivers. The UVLO protection is on both V_{CC} and V_B pins. Fast propagation delays (50 ns) are suitable for motor drive and power conversion applications in VSON-10 (3x3 mm) package with exposed ground pad. MOTIX™ 6ED2742S01Q is a 160 V three-phase SOI gate driver, which supports 100% duty cycle operation by a trickle charge pump. Protection features include UVLO, OCP with configurable threshold, fault and automatic fault clear. A current sense operational amplifier (CSA) with selectable gain is integrated between the V_{SS} and COM.

Simplified application diagram

2ED27xxS01G



6ED2742S01Q



Product	Package	Output current	Configuration	Deadtime	Propagation delay
2ED2732S01G*	VSON-10 3x3 mm	1/2 A	High- and low-side (HS+LS)	None	50 ns
2ED2734S01G*		2/4 A			
2ED2738S01G*		4/8 A			
2ED2742S01G*		1/2 A	Half-bridge	50 ns	
2ED2744S01G*		2/4 A			
2ED2748S01G*		4/8 A			
6ED2742S01Q*	VQFN-32 5x5 mm	1/2 A	Three-phase	100 ns	100 ns

Applications for MOTIX™ 160 V SOI gate driver family

- › Servo/stepper drives in robotics and factory automation
- › General purpose low-voltage drives
- › Battery-operated small home appliances (SHA)
- › Professional and consumer service robotics
- › Logistics vehicles (e-forklifts, autonomous warehouse robotics)
- › Commercial and agricultural drones
- › Hand-held battery-operated power tools
- › Garden or outdoor power equipment (OPE) tools
- › e-scooters, e-bikes, and other e-vehicles that do not require automotive qualification (LSEV)

www.infineon.com/SOI

6ED2742S01Q key features

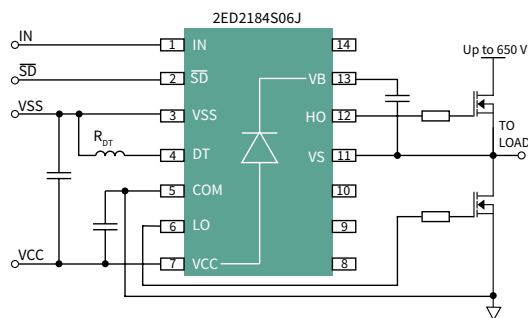
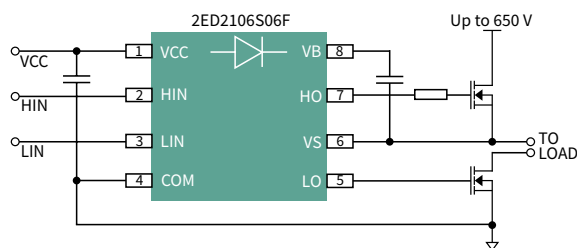
- › Integrated power management with charge pump and pre-regulator supports wide input voltage range of 6 V to 140 V
- › Integrated over-current protection comparator for single-shunt low side operation with programmable +/-5% reference threshold
- › Integrated current sense amplifier with programmable voltage gain and ability to read output voltage offset during zero phase current
- › Always positive output voltage offset to reduce need for +/- V_{REF} for downstream ADC in microcontroller.
- › Integrated, per phase, high-side trickle charge pumps to enable 100% duty cycle operation
- › Integrated, multi-function RFE pin combines FAULT, FAULT Clear, and Enable functionality

EiceDRIVER™ 650 V level-shift SOI gate driver family

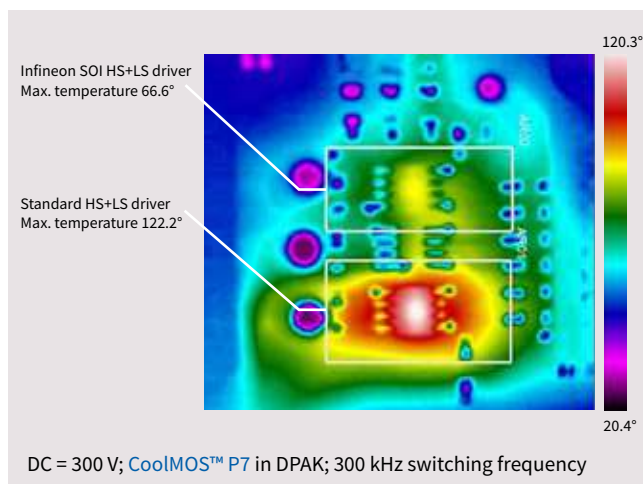
2ED2101/3/4 and 2ED2110: EiceDRIVER™ fast level-shift SOI family with 90 ns prop delay
 2ED2106/8/9 and 2ED2181/2/3/4: EiceDRIVER™ general purpose SOI family

EiceDRIVER™ 650 V SOI is a family of high-voltage, high-speed MOSFET and IGBT gate drivers. Based on Infineon's SOI technology, this family features an integrated, ultra-fast, low $R_{DS(on)}$ bootstrap diode and offers excellent ruggedness and noise immunity with tolerance to negative transient voltages of up to -100 V. The absence of parasitic thyristor structures ensures superior latch up immunity. The level-shift loss is significantly reduced on the EiceDRIVER™ SOI gate drivers compared to other technologies.

Simplified application diagrams



Power dissipation of Infineon SOI



Evaluation board

EVAL-M1-2ED2106S

EVAL-2ED2101 HB-LLC

Product family	Part number	Output current	Prop. delay	Input logic	Configuration	Package
EiceDRIVER™ fast level-shift SOI	2ED2101S06F	0.29/0.7 A	90 ns	HIN, LIN	High- and low-side	DSO8
	2ED2103S06F			HIN, $\overline{\text{LIN}}$	Half-bridge	
	2ED2104S06F	2.5/2.5 A		IN, $\overline{\text{SD}}$	Half-bridge	
	2ED2110S06M			HIN, LIN	High- and low-side	DSO-16 WB
EiceDRIVER™ general purpose SOI	2ED2106S06F	0.29/0.7 A	200/200 ns	HIN, LIN	High- and low-side	DSO8
	2ED21064S06J			HIN, LIN	High- and low-side	DSO-14
	2ED2108S06F		Half-bridge	HIN, /LIN	DSO8	
	2ED21084S06J			HIN, /LIN	DSO-14	
	2ED2109S06F	740/200 ns	IN, /SD	DSO8		
	2ED21094S06J		IN, /SD	DSO-14		
	2ED21091S06F		IN, DT/SD	DSO8		
	2ED2181S06F		HIN, LIN	High- and low-side	DSO8	
	2ED21814S06J	2.5/2.5 A	200/200 ns	HIN, LIN	High- and low-side	DSO-14
	2ED2182S06F			HIN, LIN	DSO8	
	2ED21824S06J		Half-bridge	HIN, LIN	DSO-14	
	2ED2183S06F			HIN, /LIN	DSO8	
	2ED21834S06J	600/200 ns	Half-bridge	HIN, /LIN	DSO-14	
	2ED2184S06F			IN, /SD	DSO8	
2ED21844S06J	IN, /SD	DSO-14				



EiceDRIVER™ 1200 V level-shift SOI gate driver family

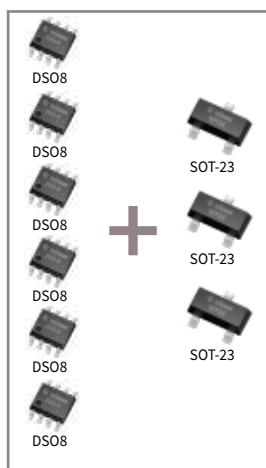
6ED223x: 1200 V three-phase SOI driver with OCP, bootstrap diode

2ED132x: 1200 V half-bridge and high- and low-side SOI driver with OCP, Miller clamp and bootstrap diode

The 6ED2231S12T is a 1200-V three-phase SOI gate driver, with 0.35 A / 0.65 A current in DSO-24 package (DSO-28 with 4 pins removed). The 2ED132x family consists of four 1200 V SOI gate drivers, in half-bridge or high- and low-side configurations. 2ED132x family offers 2.3 A output current in high creepage (5 mm)/clearance DSO-20 wide body package or higher sink option (4.6 A) in DSO-16 wide body package. Both 6ED2231S12T and the 2ED132x family integrates ultra-fast over-current protection (OCP) with ± 5% accuracy, and bootstrap diode. In addition, the 2ED132x family also integrates active Miller clamp.



Current solutions
6 x opto-isolated drivers +
3 x 1200 V bootstrap diodes



New 6ED2231S12T Integrates
6x gate-driver functionality and
3x boot-strap diodes
Over-current protection
IGBT/SiC MOSFET UVLOs



- > Space savings
- > Cost savings
- > Easy to design
- > Higher reliability
- > Faster time to market

6ED2231S12T easily fits within EasyPIM™ 1B module footprint



EVAL-M1-6ED2231-B1

Features and benefits

Key features
> Leading negative VS immunity
> > 50% lower level-shift switching losses
> Integrated bootstrap diode
> 1200 V breakdown voltage
> Integrated input filters

Key benefits
> Increased robustness and reliability resulting in reduced manufacturing and field failures
> Reduced power dissipation, lower temperature
> Faster frequency switching
> Smaller PCB footprints
> Reduced BOM costs
> Improved noise sensitivity
> Latch-up immunity

Customer value
> Increased profitability from lower lifecycle costs
> Faster time to market for higher share capture
> Enables new applications
> Increased flexibility
> Increased reliability

Product Name	Configuration	Package	Output current	Key features	Deadtime	T _{ON} / T _{OFF}
6ED2231S12T*	Three-phase	DSO-24	0.35 / 0.65 A	OCP, RFE	460 ns	700 / 650 ns
2ED1324S12P*	Half-Bridge	DSO-20	2.3 / 2.3 A	OCP, SOFF, AMC, RFE	380 ns	500 ns
2ED1323S12P*	HS+LS	DSO-20	2.3 / 2.3 A	OCP, SOFF, AMC, RFE	None	350 ns
2ED1322S12M*	Half-Bridge	DSO-16	2.3 / 4.6 A	OCP, SOFF, RFE	400 ns	500 ns
2ED1321S12M*	HS+LS	DSO-16	2.3 / 4.6 A	OCP, SOFF, RFE	None	350 ns

www.infineon.com/SOI www.infineon.com/1200VHVIC www.infineon.com/6ED2230

*Coming soon

For more details on the product, click on the part number, visit infineon.com or contact our [product support](#).



2EDi EiceDRIVER™ family

Fast, robust, dual-channel galvanic isolated gate-driver ICs

Galvanic isolated EiceDRIVER™ family overview

The 2EDi is a family of dual-channel isolated gate driver ICs designed to drive Si MOSFETs, SiC MOSFETs and GaN power switches. Isolation is achieved by means of Infineon's coreless transformer (CT) technology which guarantees robust operation and industry benchmark common-mode rejection (CMTI). The high propagation delay accuracy and low channel-to-channel mismatch makes the product ideal for use in fast-switching power system. In addition, high CMTI, high reverse current capability and fast clamping of the output below UVLO guarantees reliable operation in the application.

2EDi Gen 2: What is new?

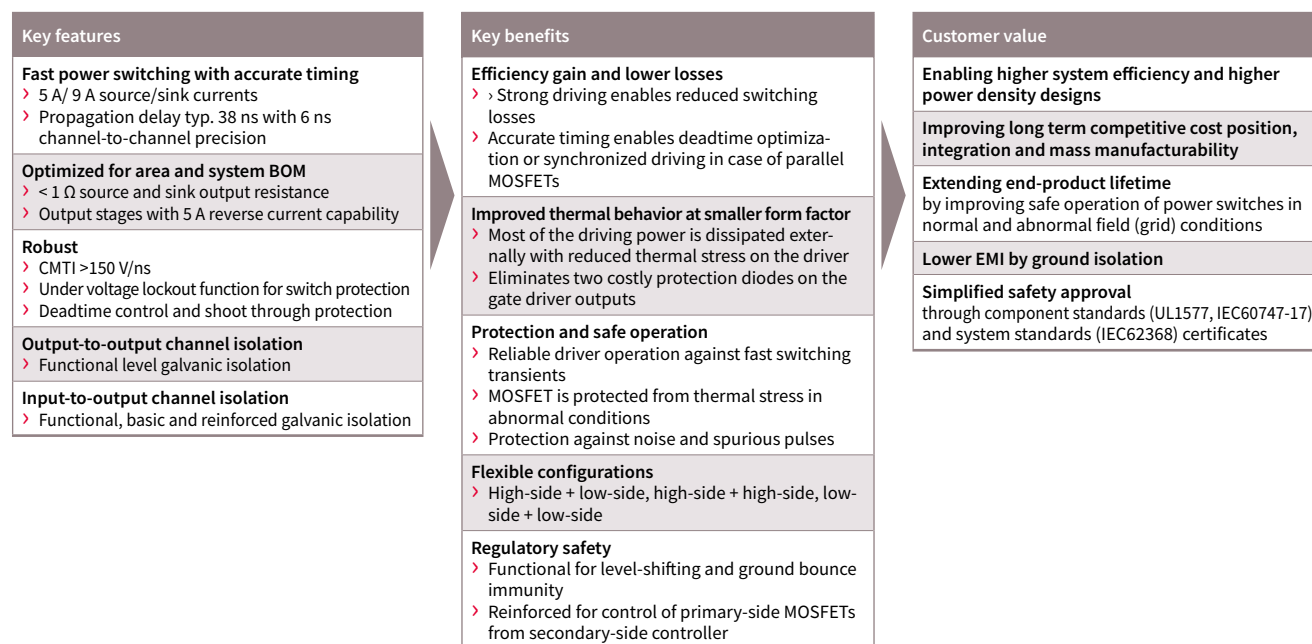
- > DSO-14 packages with increased channel-to-channel creepage to easier the layout or enable the use with higher working voltages or worst pollution layout
- > New LGA 4 mm x 4 mm package enabling 70 percent space saving
- > Fulfills the latest component standard for magnetic couplers (IEC 60747-17)
- > Programmable dead-time and shoot-through functionality

Applications

- > Server
- > Telecom
- > DC-DC converters
- > Power tools
- > Industrial SMPS
- > Low speed electrical vehicles
- > Solar power inverter
- > LED lighting



Features and benefits



EiceDRIVER™ X3 Compact and 2L-SRC Compact

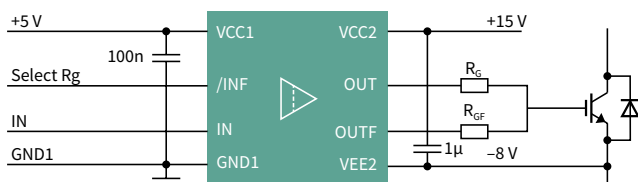
5.7 kV, 18 A, 1-ch, isolated drivers with Miller clamp and two-level slew rate control

The EiceDRIVER™ X3 Compact family (1ED31xx) provides Miller clamp or separate output options with up to 14 A current, in DSO8 150 mil and 300 mil package. The EiceDRIVER™ 2L-SRC Compact family (1ED32xx) provides Miller clamp or 2-level slew rate control options with up to 18 A current, in DSO8 300 mil package. The Miller clamp function is highly recommended for SiC MOSFET 0 V turn off and IGBT7 against parasitic turn on. The two-level slew rate control function allows customers to change the output current on the fly. It is highly recommend for industrial drives application, where customer suffer from the EMI and switching loss optimization. Both EiceDRIVER™ X3 Compact and 2L-SRC Compact families are rated up to 2300 V functional isolation and 200 kV/μs CMTI. They are ideal for IGBTs, Si MOSFETs, and SiC MOSFETs in applications like solar inverter, EV charging, industrial drives, CAC, industrial induction cooking, CAV, UPS, server and telecom SMPS, etc.

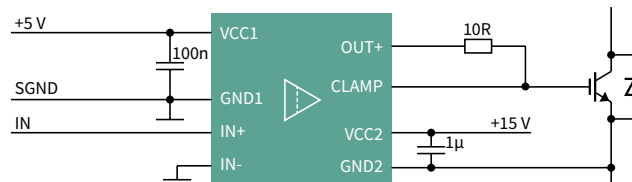


Simplified application diagram

Two-level slew rate control (1ED3241MC12H)



Active Miller clamp (1ED3122MC12H)



Evaluation board

- EVAL-1ED3121MX12H
- EVAL-1ED3122MX12H
- EVAL-1ED3124MX12H
- EVAL-1ED3241MC12H
- EVAL-1ED3251MC12H
- REF-22K-GPD-INV-EASY3B



Family	Part number	Typ. output current	Feature	Prop. delay	Input filter	UVLO	Prop. delay matching	Package	Isolation rating
EiceDRIVER™ X3 Compact	1ED3127MU12F*	10 A	Miller clamp	90 ns	30 ns	12 V	7 ns	DSO8 150mil	UL 1577: VISO = 3 kV _{rms}
	1ED3125MU12F	10 A				10.5 V			
	1ED3124MU12F	14 A				10.5 V			
	1ED3131MC12H	5.5 A	Separate output	270 ns	180 ns	10.5 V			
	1ED3120MC12H	5.5 A				8 V			
	1ED3121MC12H	5.5 A				10.5 V			
	1ED3122MC12H	10 A				Miller clamp			
	1ED3123MC12H	14 A	Separate output	90 ns	30 ns	8 V			
1ED3124MC12H	14 A	10.5 V							
EiceDRIVER™ 2L-SRC Compact	1ED3240MC12H	10 A	Turn-on and turn-off slew rate control	110 ns	30 ns	10.5 V	15 ns	DSO8 300mil	UL 1577: VISO = 5.7 kV _{rms} VDE 0884-11: V _{IORM} = 1767 V (reinforced)
	1ED3241MC12H	18 A				10.5 V			
	1ED3250MC12H	10 A	Turn-on slew rate control and Miller clamp			10.5 V			
	1ED3251MC12H	18 A				10.5 V			

www.infineon.com/gdcompact
www.infineon.com/src

* Coming soon



For more details on the product, click on the part number, visit infineon.com or contact our [product support](#).

EiceDRIVER™ Enhanced 1ED-F3 and X3 Analog

5.7 kV, 9 A, 1-ch, isolated drivers with DESAT, Miller clamp and soft-off

The EiceDRIVER™ Enhanced 1ED-F3 family (1ED332x) provides DESAT, Miller clamp and soft-off features with up to 6 A current, in DSO-16 300 mil package. The EiceDRIVER™ Enhanced X3 Analog family (1ED34xx) provides Miller clamp, resistor configurable DESAT and soft-off function with up to 9 A current, in DSO-16 300 mil fine pitch package.

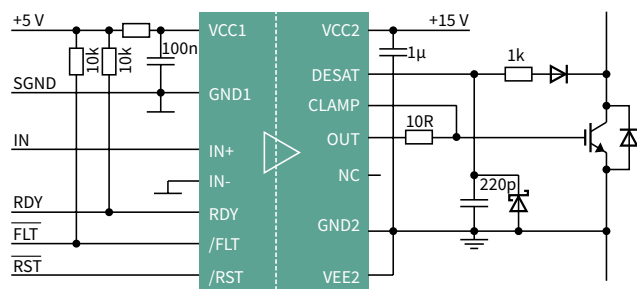
The 1ED-F3 family (1ED332x) is pin-to-pin with our previous generation 1ED020I12-F2 (1ED-F2), with higher current, shorter propagation delay, higher isolation ratings and additional soft-off function. The X3 Analog family (1ED34xx) offers best-in-class DESAT protection accuracy with the resistor configurability on DESAT filter and leading edge blanking time and soft-off current.

Both EiceDRIVER™ Enhanced 1ED-F3 and X3 Analog families are rated up to 2300 V functional isolation and 200 kV/μs CMTI. They are ideal for IGBTs, Si MOSFETs, and SiC MOSFETs in applications like solar inverter, EV charging, industrial drives, CAC, industrial induction cooking, CAV, UPS, server and telecom SMPS, etc.

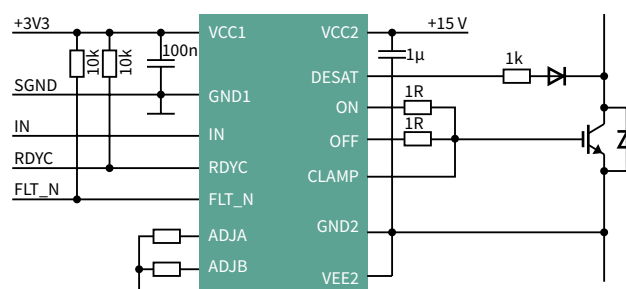


Simplified application diagram

1ED-F3 (1ED332x)



X3 Analog (1ED34xx)



Evaluation board

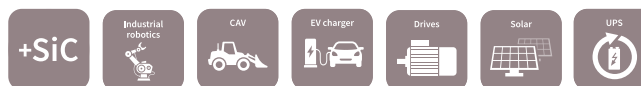


EVAL-1ED3321MC12N

EVAL-1ED3491MX12M

Family	Part number	Typ. output current	Feature	Prop. delay	Input filter	UVLO	Prop. delay matching	Package	Isolation rating
EiceDRIVER™ Enhanced 1ED-F3	1ED3320MC12N	3/6 A	Miller clamp, DESAT, soft-off	80 ns	35 ns	10.5 V	15 ns	DSO-16 300mil	UL 1577: V _{ISO} = 5.7 kV _{rms} VDE 0884-11: V _{IORM} = 1767 V (reinforced)
	1ED3321MC12N	6/8.5 A				10.5 V			
	1ED3322MC12N	6/8.5 A	12 V						
	1ED3323MC12N	6/8.5 A	10.5 V						
EiceDRIVER™ Enhanced X3 Analog	1ED3431MC12M	3 A	Miller clamp, resistor adjustable DESAT and soft-off	236 ns	100 ns	10.5 V	30 ns	DSO-16 300mil fine pitch	
	1ED3461MC12M	6 A	Clamp driver, resistor adjustable DESAT and soft-off			10.5 V			
	1ED3491MC12M	9 A	Clamp driver, resistor adjustable DESAT and soft-off			10.5 V			

www.infineon.com/gdenhanced



For more details on the product, click on the part number, visit infineon.com or contact our [product support](#).

EiceDRIVER™ Enhanced X3 Digital

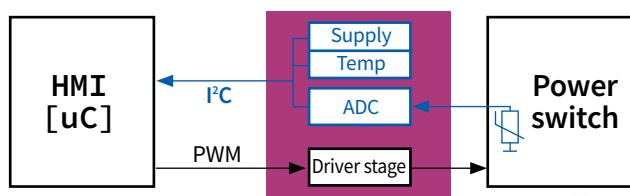
5.7 kV, 9 A, 1-ch, isolated drivers with I²C configurability for DESAT, Miller clamp, soft-off and many more

The EiceDRIVER™ Enhanced X3 Digital family (1ED38xx) provides I²C configurability for DESAT, soft-off, UVLO, Miller clamp, two-level turn off (TLTO), and fault function to simplify the design of highly reliable systems. All adjustments are done from the input side via the I²C interface (pin SDA and SCL). The 1ED38xx offers up to 9 A current, in DSO-16 300 mil fine-pitch package.

The EiceDRIVER™ Enhanced X3 Digital family is rated up to 2300 V functional isolation and 200 kV/μs CMTI. They are ideal for IGBTs, Si MOSFETs, and SiC MOSFETs especially due to the configurability of DESAT and UVLO. This family is recommended in applications like solar inverter, EV charging, industrial drives, CAC, industrial induction cooking, CAV, UPS, server and telecom SMPS, etc. Two noticeable advantages of the digitally configurable approach for customers are predictive maintenance in sophisticated industrial systems and rapid prototyping for fast solution development.

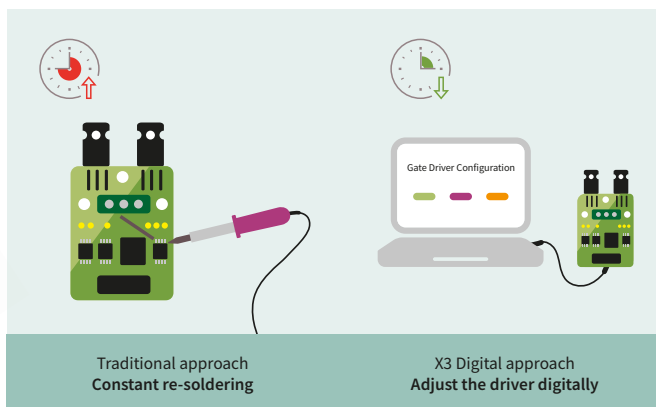
Predictive maintenance

Using the I²C interface, the 1ED38xx is able to register the counts of UVLO spikes, monitor the supply voltage and temperature increase. With the long-term analysis of the collected data, customers are able to decide when is the best time to schedule a maintenance cycle before the system fails.



Rapid prototyping

The I²C interface enables rapid prototyping without hardware changes. Using a traditional gate driver, customers have to first design an initial PCB board, and then adjust and replace the components on the board during evaluation. However, with the 1ED38xx I²C interface, customers can configure up to 27 parameters to optimize the board without replacing the components. This feature extremely shortens the development flow.



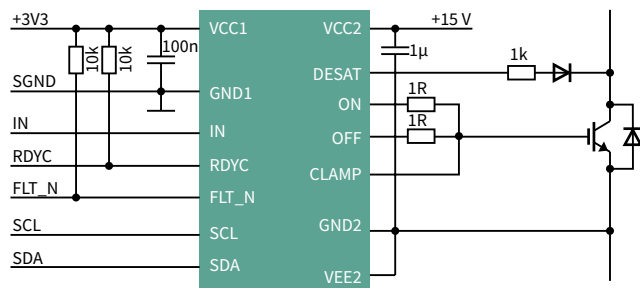
Evaluation board

- EVAL-1ED3890Mx12M
- EVAL-1ED38x0DCT



Simplified application diagram

X3 Digital (1ED38xx)



Family	Part Number	Typ. output current	Feature	Isolation rating
EiceDRIVER™ Enhanced X3 Digital	1ED3830MC12M	3 A	I ² C configurability, Miller clamp, DESAT, soft-off, two-level turn-off, integrated ADC	UL 1577: V _{ISO} = 5.7 kVrms VDE 0884-11: V _{IORM} = 1767 V (reinforced)
	1ED3860MC12M	6 A		
	1ED3890MC12M	9 A		

www.infineon.com/gdenhanced



For more details on the product, click on the part number, visit infineon.com or contact our [product support](#).

EiceDRIVER™ APD 2ED4820-EM

48 V smart high-side MOSFET gate driver with SPI for automotive applications

The EiceDRIVER™ 2ED4820-EM is a smart high side N-channel MOSFET gate driver with two outputs controlled via SPI. The integrated powerful charge pump allows external MOSFETs to stay continuously on. Thanks to the enhanced turn-on and turn-off ability of the driver, the number of MOSFETs could be easily scaled up to manage large currents in the order of several hundred amps, while ensuring fast switch on and off. The MOSFETs could be controlled in a back to back configuration either common mode or common source. The integrated current sense amplifier supports high-side and even load-side current measurement with a dedicated monitoring output. The 2ED4820-EM comes along with several latching failure detections, to implement protections for the external MOSFETs, the load and the power source. Parameters can be adjusted by SPI; monitoring data, configuration, warning and failure detection registers can be read.

Summary of features

- › Extended supply voltage range: 20 - 70 V
- › Two independent high-side gate driver outputs with 1 A pull down, 0.3 A pull up for fast switch off/on
- › Low supply current in sleep mode $IBAT_Q < 5 \mu A$
- › Device control, configuration and diagnostic via SPI
- › Configurable overcurrent/short circuit protection
- › Configurable Drain-Source overvoltage protection
- › Gate undervoltage lockout (V_{GS})
- › Ground loss detection
- › AEC-Q100 qualification

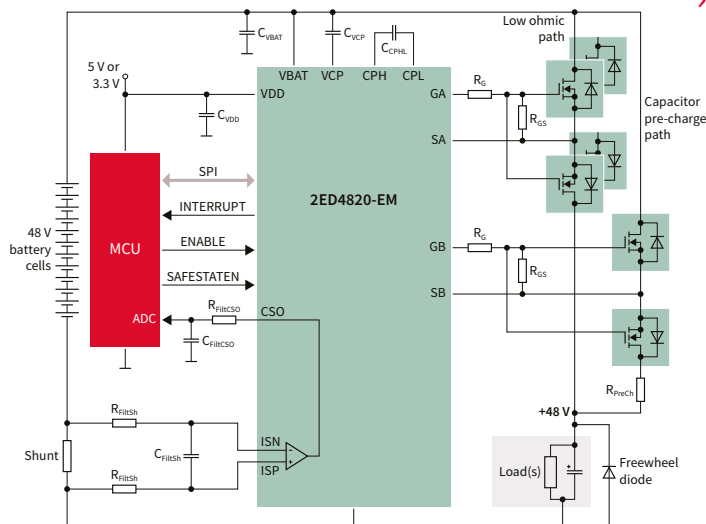


Benefits

- › Supports back-to-back MOSFET topologies (common drain or common source)
- › SAFESTATEN input to trigger safe state mode in case of μC failure
- › One bidirectional high or low side analog current sense interface with configurable gain to optimize power losses
- › Robust against V_{bat} voltages up to 105 V and V_{source} voltages versus V_{bat} of -90 V

Potential applications

- › Battery protection switch
- › Input protection switch
- › Static load and supply switch for high currents



Products and evaluation boards

Product	Description	Ordering code	Package
2ED4820-EM	48 V smart high-side MOSFET gate driver with SPI	SP005629911	PG-TSDSO-24
2ED4820 EB2 2HSV48	2ED4820 dual high-side switch - 48 V evaluation board	SP005353778	BOARD
R 48V BATT Switch10	48 V battery disconnect switch - reference design	SP005595834	BOARD

www.infineon.com/url



For more details on the product, click on the part number, visit infineon.com or contact our [product support](#).

EiceDRIVER™ 1EDI302xAS/1EDI303xAS

1200 V galvanically isolated automotive gate-driver IC family

The EiceDRIVER™ 1EDI302xAS/1EDI303xAS is a family of automotive qualified single-channel high-voltage gate drivers optimized for IGBT and SiC technologies. The robust Infineon coreless transformer (CT) technology is used to provide bi-directional signal transfer across the galvanic isolation barrier. Comprehensive safety features and ISO26262 compliance enable ASIL D classification on the system level. Accompanying safety documents ease and speed-up FMEDA analysis in the application. The compact package design and the high level of feature integration save valuable PCB space and system cost, while the pre-configured settings reduce design efforts. Pin-compatible product variants make it easy to switch between variants and swiftly adjust ECUs to different application needs (i.e., SiC MOSFET vs IGBT).

Product features

- › Single-channel isolated IGBT driver
- › For IGBTs up to 1200 V
- › High CMTI up to 150 V/ns
- › 8 kV basic insulation according to DIN VDE V 0884-11:2017-01
- › Basic insulation according to UL 1577
- › Min. 12 A peak current rail-to-rail output
- › Propagation delay 60 ns typical
- › Typ. 10 A integrated active Miller clamp supports unipolar switching
- › Integrated, accurate 12 bit ADC for temperature measurements
- › Integrated safety features to support ASIL B(D):
 - DESAT and differential OCP protection
 - Gate and output stage monitoring
 - Shoot-through protection
 - Primary/secondary supply monitoring
 - Internal supervision
- › Advanced driver diagnosis with duty cycle coded DATA pin
- › AEC-Q100 qualified
- › Compact DSO-20 fine pitch package



RoHS

Evaluation board

Potential applications

- › Traction inverters for HEV and EV
- › Auxiliary inverters for HEV and EV
- › High-power DC-DC converters

1EDI30XXAS EVALBOARD

1EDI303XAS EVALBOARD*

1EDI302XAS EVALBOARD*



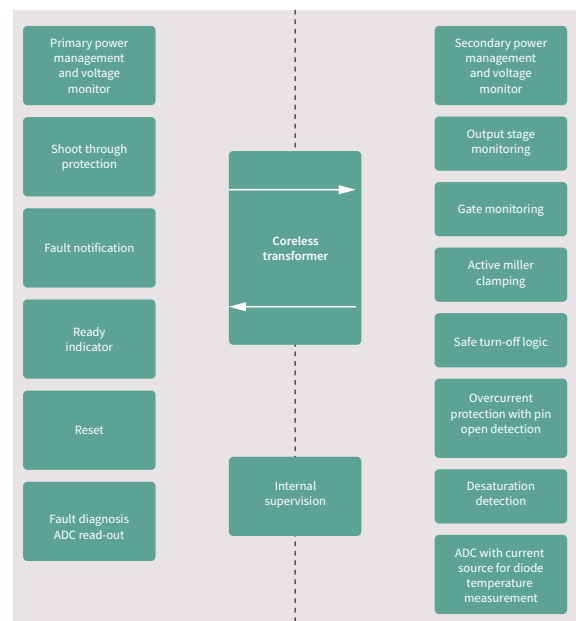
Product family overview

Product variant	Driver support	Additional functionality
1EDI3020AS	IGBT	ADC for temperature Diode
1EDI3021AS	IGBT	Active short circuit
1EDI3023AS	IGBT	ADC for NTC and DC-link
1EDI3030AS	SiC	ADC for temperature diode
1EDI3031AS	SiC	Active short circuit
1EDI3033AS	SiC	ADC for NTC and DC-link

www.infineon.com/url

*Coming soon

Simplified block diagram

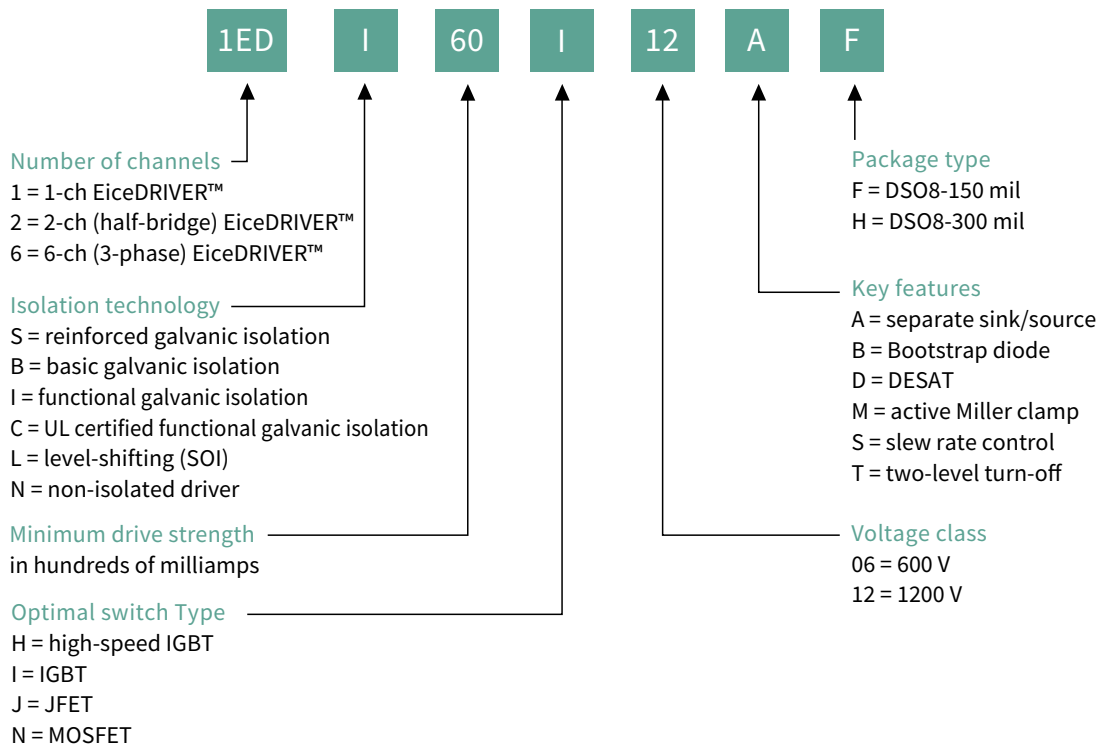
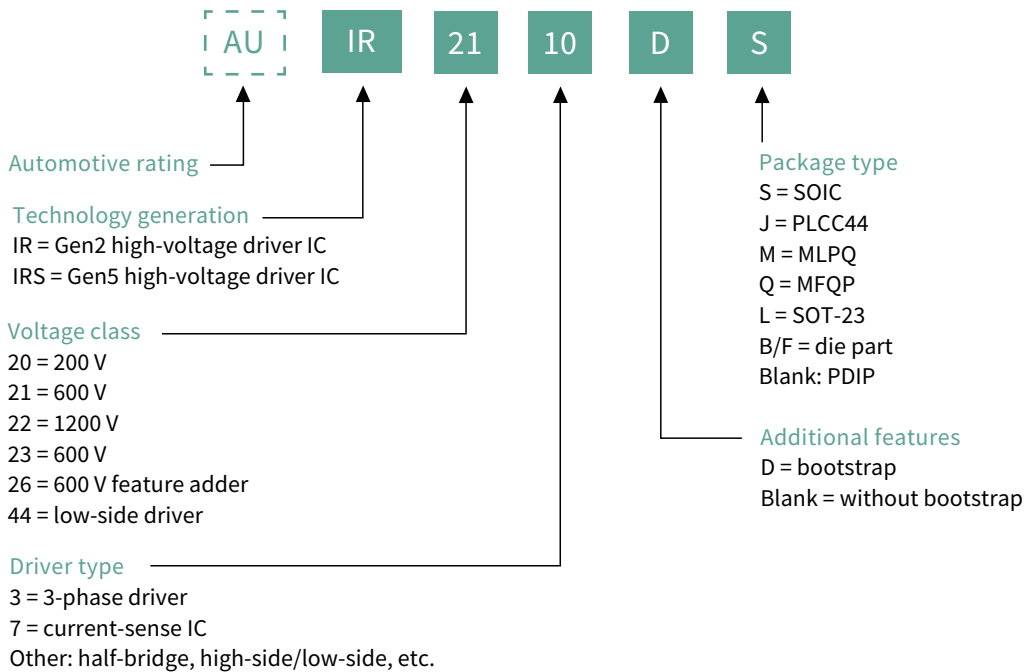


For more details on the product, click on the part number, visit infineon.com or contact our [product support](#).

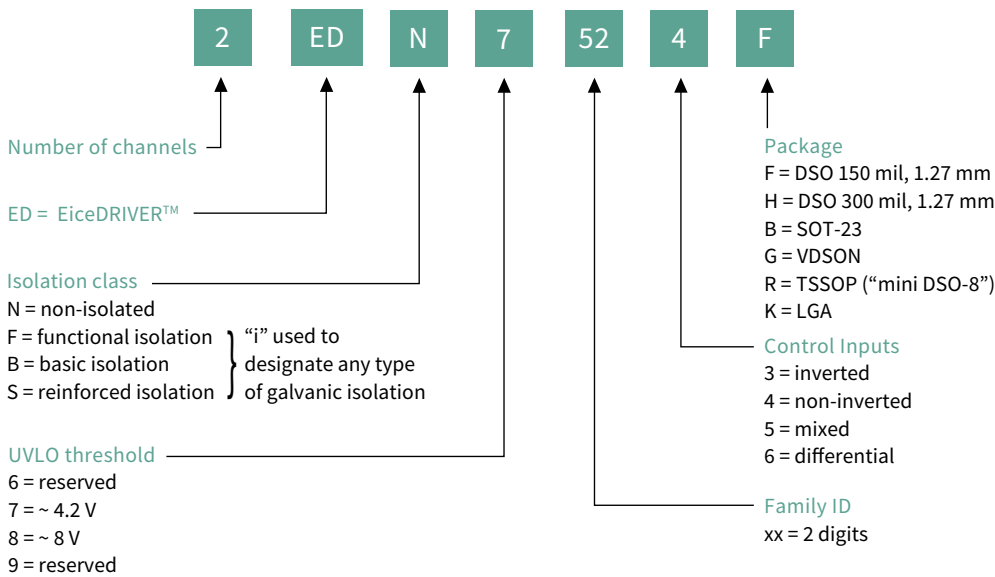
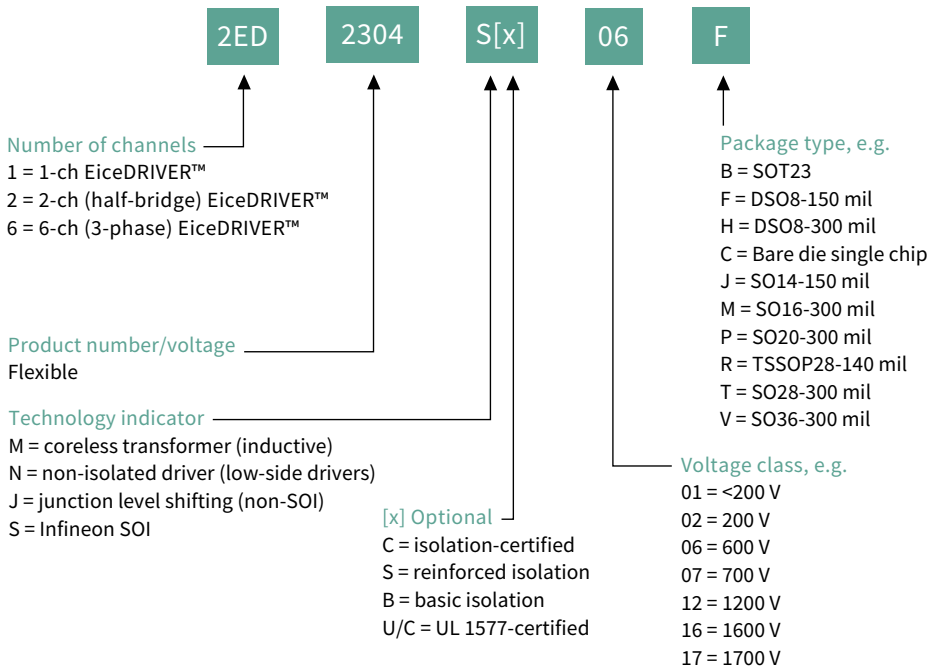


Nomenclature

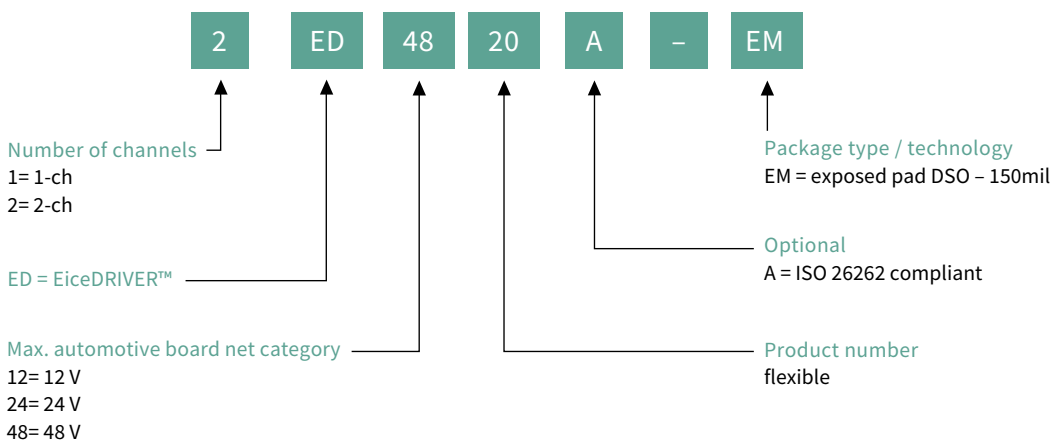
Naming convention for existing families of gate-driver ICs



Naming convention for existing and upcoming families of gate-driver ICs



Naming convention for existing and upcoming families of gate-driver ICs





Infineon support for gate-driver ICs

Useful links and helpful information

Further information, datasheets and documents

www.infineon.com/200vhvic

www.infineon.com/700vhvic

www.infineon.com/1200vhvic

www.infineon.com/gdsic

[www.infineon.com/gdsic-cn \(CN\)](http://www.infineon.com/gdsic-cn)

www.infineon.com/gdcompact

www.infineon.com/gdenhanced

www.infineon.com/src

[www.infineon.com/src-cn \(CN\)](http://www.infineon.com/src-cn)

www.infineon.com/1EDN

www.infineon.com/2EDN

www.infineon.com/TDI

www.infineon.com/2EDL8

www.infineon.com/gatedriver

[www.infineon.com/gatedriver-cn \(CN\)](http://www.infineon.com/gatedriver-cn)

www.infineon.com/ifxdesigner

www.infineon.com/gdevalboards

Gate driver IC community FAQs

www.infineon.com/gdforum

Gate driver selection tools

www.infineon.com/gdfinder

Gate driver simulation (SPICE) models

www.infineon.com/gdmodel

Cross reference tool

www.infineon.com/crs





Digital isolators

› ISOFACE™ digital isolators

Dear users!

Our customers are at the heart of everything we do. Please give us feedback on how we can improve to meet your expectations with this document the best.

› [Feedback](#)

ISOFACE™ digital isolators

Robust digital isolators with precise timing and low power consumption

ISOFACE™ digital isolators are based on Infineon’s coreless transformer (CT) technology and provide robust isolation for high voltage applications. They are the preferred choice for isolated gate signal transfer in high-density power designs and isolated communication such as UART or CAN.

The 2DIBx4xxF family features

- › Dual-channel digital isolators with eight variants and data rates up to 40 Mbits/s
- › 3 kV_{RMS} isolation voltage
- › CMOS/TTL input thresholds
- › High common-mode transient immunity (CMTI)
- › Accurate timing performance
- › Wide operating supply voltage from 2.7 V to 6.5 V



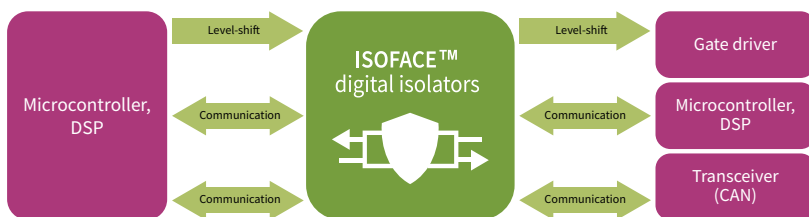
Product variants

Part number	Isolation rating	Channel configuration	Input thresholds	Default output state	Package
2DIB0400F	V _{ISO} = 3000 V _{RMS} (UL1577 Ed. 5)	2 forward 0 reverse (2+0)	Variable (CMOS)	Low	PG-DSO8 5 x 4 mm
2DIB0401F				High	
2DIB1400F		1 forward 1 reverse (1+1)		Low	
2DIB1401F				High	
2DIB0410F		Fixed (TTL)	2 forward 0 reverse (2+0)	Low	
2DIB0411F				High	
2DIB1410F			1 forward 1 reverse (1+1)	Low	
2DIB1411F				High	

Features and benefits

Key features
› High CMTI > 100 V/ns
› Wide supply voltage range 2.7 V ~ 6.5 V (abs. max. 7.5 V)
› TTL or CMOS input threshold
› Typical propagation delay 26 ns with -4/+6 ns spread
› Both high and low fail-safe default output state
› Both component and system level certification
› Pin-to-pin compatibility

Key benefits
› High immunity against system noise or high dv/dt
› Reliable performance in SMPS with switching noise on IC power supply
› Optimized noise margin for different applications
› For high system power efficiency
› Reliable high or low default output state in case of failures
› Simplified system certification process
› For easy device replacement and alternative sourcing



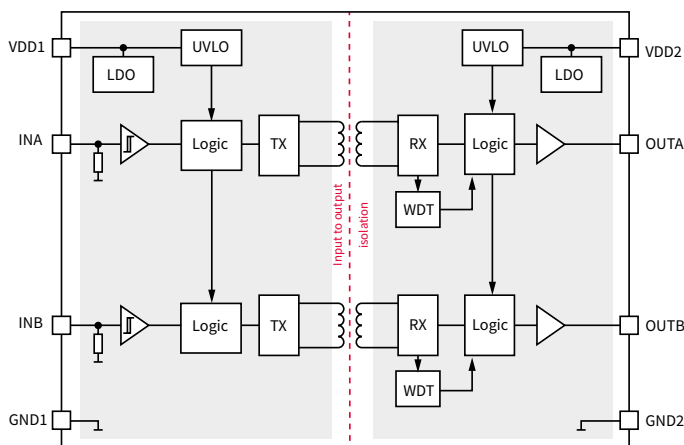
Infineon ISOFACE™ dual-channel digital isolators are used to transfer gate driving and communication signals like CAN and UART over the isolation barrier. With high robustness and accurate switching characteristics, they are suitable for high power density designs and isolated communication systems.

ISOFACE™ digital isolators

Dual-channel digital isolator **2DIB0410F** in SOIC-8 narrow body package

Infineon **ISOFACE™** dual-channel digital isolator **2DIB0410F** (with 2 forward channels) provides robust isolation for high voltage applications. With a wide supply voltage range, TTL input thresholds and default output state low, it is the perfect fit for high-power density DC-DC brick applications.

Block diagram of 2DIB041xF with two forward data channels

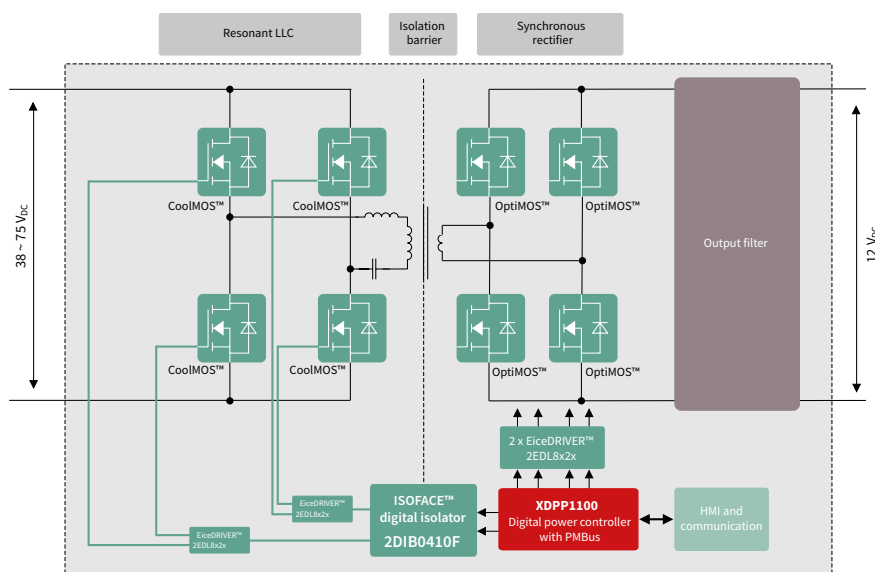


Features and benefits

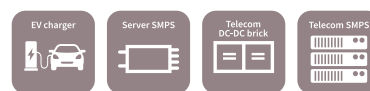
Key features
> High CMTI > 100 V/ns
> Wide operating supply voltage range 2.7 V ~ 6.5 V (abs. max. 7.5 V)
> TTL input threshold
> Integrated glitch filter
> Default low fail-safe output state
> Both component and system-level certification

Key benefits
> High immunity against system noise
> Reliable performance in SMPS with switching noise on IC power supply
> Optimized noise margin for SMPS applications
> Effective noise suppression in SMPS applications
> Reliable low output state in case of failures
> Simplified system certification process

2DIB0410F used in isolated DC-DC brick application



Infineon **ISOFACE™** dual-channel digital isolator **2DIB0410F** is a perfect fit for isolated DC-DC brick applications to transfer half- or full-bridge gate driving signals. The two-channel configuration allows transfer of low- and high-side gate-signals over the isolation barrier.

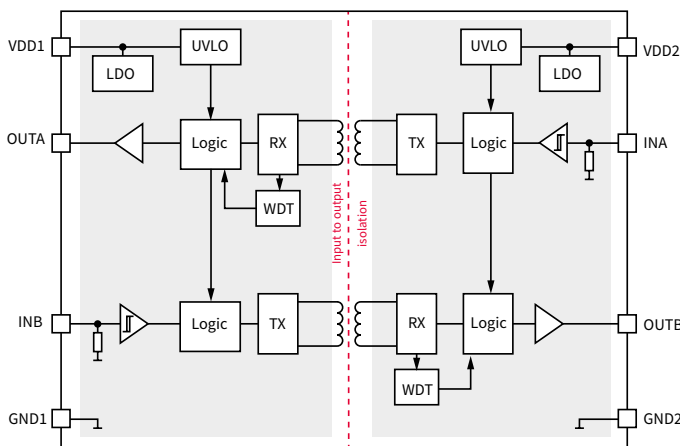


ISOFACE™ digital isolators

Dual-channel digital isolator 2DIB1410F in SOIC-8 narrow body package

Infinion ISOFACE™ dual-channel digital isolator 2DIB1410F (with one forward and one reverse channel) provides robust isolation for high voltage applications. With high common-mode transient immunity (>100 V/ns), TTL input threshold, and default low output state, it is the perfect match for GaN-IPS with high dv/dt in high-density power designs (GaN with integrated non-isolated gate driver).

Block diagram of 2DIB14xxF with one forward and one reverse data channel

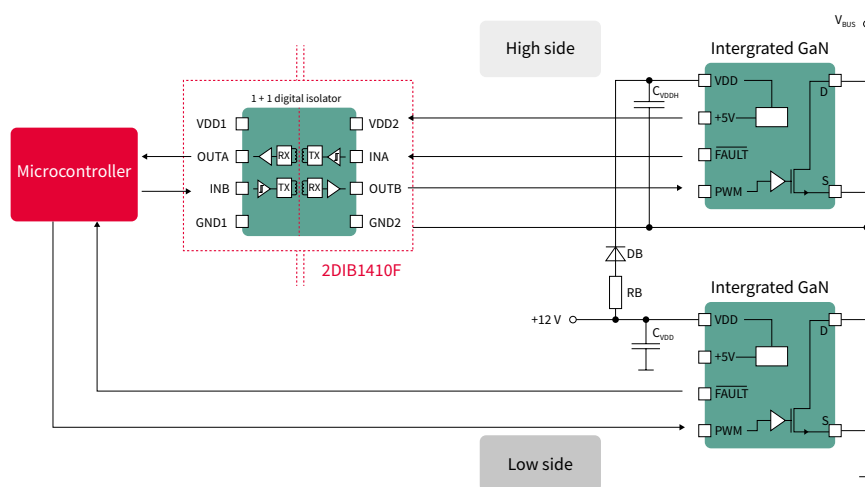


Features and benefits

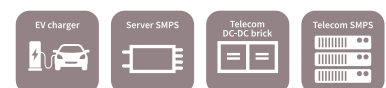
Key features
> High CMTI > 100 V/ns
> Wide supply voltage range 2.7 ~ 6.5 V (abs. max. 7.5 V)
> TTL input threshold
> Integrated glitch filter
> Default low fail-safe output state
> Both component and system-level certification

Key benefits
> For GaN with integrated non-isolated gate driver with high dv/dt
> Reliable performance in SMPS with switching noises on IC power supply
> Optimized noise margin for SMPS applications
> Effective noise suppression in SMPS applications
> Reliable low output state in case of failures
> Simplified system certification process

2DIB1410F used in totem-pole PFC with GaN IPS



Infinion ISOFACE™ dual-channel digital isolator 2DIB1410F can be used together with GaN IPS for high-side floating drive. One forward channel is used to transfer the gate signal. The reverse channel can be used for protection signal.





Infineon support for digital isolators

Useful links and helpful information

Further information, datasheets and documents

www.infineon.com/digitalisolators





Discrete IGBTs and silicon power diodes

- › Discrete IGBTs
- › 650 V TRENCHSTOP™ 5 IGBT
- › 1200 V IGBT families
- › Lower power drive IGBT portfolio
- › 650 V Reverse Conducting R6 IGBT
- › TRENCHSTOP™ advanced isolation
- › TRENCHSTOP™ 5 selection tree
- › IGBT selection tree
- › Discrete IGBTs product portfolio
- › Silicon power diodes
- › IGBT nomenclature
- › Silicon power diodes nomenclature

Discrete IGBTs

Market leadership through groundbreaking innovation and application focus

Resolute to achieve the highest standards in performance and quality, Infineon offers a comprehensive portfolio of application-specific discrete IGBTs. From 600 V up to 1600 V, we offer a wide range of IGBT voltage classes to meet different voltage requirements in each application.



kHz f_{sw} [kHz] (typical used up to) µs Short circuit withstand time [µs]

High-power drive IGBT portfolio

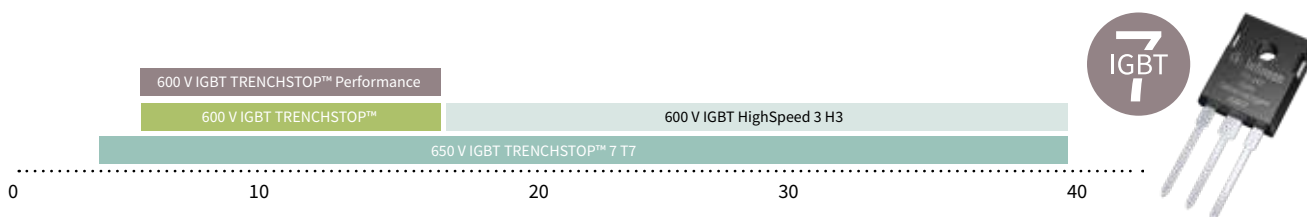
Did you know that you could potentially save 20% of energy or 17 million tons of CO₂ if only half of all industrial drives had an electric speed control? Infineon has designed the 7th generation of TRENCHSTOP™ IGBTs, especially for variable speed drives. Based on the new micro-pattern trench technology, which offers a high level of controllability. These features bring significant loss reduction in the application, especially for industrial drives, which usually operate at moderate switching frequency.

650 V TRENCHSTOP™ 7 T7

If you still use old technology, like the short-circuit IGBT 3 or the non short-circuit TRENCHSTOP™ 5, then it is about time to change that.

Why? Because:

- > The flexible family IGBT7 T7 is a benchmark in performance with state-of-the-art quality and best price/performance ratio.
- > IGBT7 T7 is the best-in-class device for industrial motor drives, namely uninterruptable power supplies for photovoltaic and air conditioning PFC topologies

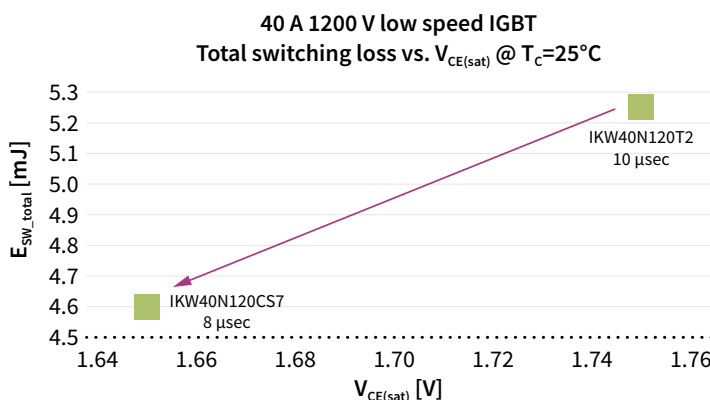


1200 V TRENCHSTOP™ 7 S7

The new 1200 V IGBT generation TRENCHSTOP™ IGBT7 is designed to meet requirements of high efficiency, lowest conduction and switching losses in hard switching and resonant topologies operating at switching frequencies up to 20 kHz. Very soft, fast recovery anti-parallel emitter controlled diode is optimized for fast recovery while still maintaining a high level of softness complementing to an excellent EMI behavior.

Target applications:

- > Industrial drives
- > Solar
- > UPS



The best-in-class MPT technology of the TRENCHSTOP™ IGBT7 S7 allows reduction of both $V_{CE(sat)}$ by ~ 10% and total switching losses of > 10% compared to the TRENCHSTOP™ 2 family.

www.infineon.com/discreteIGBT7

www.infineon.com/igbt discret es

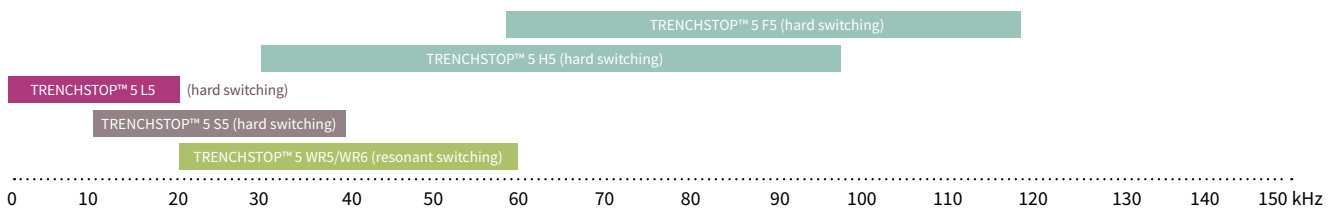
www.infineon.com/gatedriver

For more details on the product, click on the part number, visit infineon.com or contact our [product support](#).



650 V TRENCHSTOP™ 5 IGBT

In terms of switching and conduction losses, there is no other IGBT in the market that can match the performance of the TRENCHSTOP™ 5. Wafer thickness has been reduced by more than 25 percent, which enables a dramatic improvement in both switching and conduction losses while providing an increased breakthrough voltage of 650 V. Based on TRENCHSTOP™ 5 IGBT technology, Infineon has developed six different product families optimized for specific applications, allowing designers to optimize for high efficiency, system cost or reliability demands of the market. The quantum leap of efficiency improvement provided by the TRENCHSTOP™ 5 IGBT families opens up new opportunities for designers to explore. **EiceDRIVER™** isolated gate driver such as the 1ED compact family 650 V IGBT in solar and UPS applications. **EiceDRIVER™** low side gate driver with overcurrent protection is widely used in induction cooking application and PFC stage.



TRENCHSTOP™ 5 L5	Best-in-class IGBT low $V_{CE(sat)}$ IGBT $V_{CE(sat)}$ IGBT – 1.05 V Best trade-off $V_{CE(sat)}$ V_{ss} E_{ts} for frequencies below 20 kHz	Solar, UPS, welding <ul style="list-style-type: none"> › Ultra-low frequency converters › Three-level inverter type I NPC 1 and NPC 2 › Modified HERIC inverter › AC output (aluminum/magnesium welding)
TRENCHSTOP™ 5 S5	Best-in-class ease-of-use IGBT Elimination of: <ul style="list-style-type: none"> › Collector-emitter snubber capacitor and gate capacitor in low inductance designs (<100 nH) › Softer switching than TRENCHSTOP™ 5 H5 	UPS, battery charger, solar, welding <ul style="list-style-type: none"> › Medium frequency converters › Multilevel inverter stages › Output stages › PFC
TRENCHSTOP™ 5 H5/F5	Best-in-class high frequency IGBT <ul style="list-style-type: none"> › Bridge to SJ MOSFET performance › Highest efficiency, especially under light load conditions 	UPS, solar, welding <ul style="list-style-type: none"> › High frequency converters › Multilevel inverter stages › Output stages › PFC
TRENCHSTOP™ 5 WR5	Price optimized reverse conducting TRENCHSTOP™ 5 with an optimized monolithically integrated diode tailored for specific hard switching applications <ul style="list-style-type: none"> › Monolithic diode optimized for PFC and welding applications › Excellent R_c controllability › Perfect fit to mainstream design for 20 kHz < fsw < 60 kHz 	Air conditioning, welding <ul style="list-style-type: none"> › RAC/CAC PFC outdoor compressor › Compact/portable welding › Light-medium industrial welding
TRENCHSTOP™ 5 WR6	Outstanding price/performance ratio with the latest 650 V reverse-conducting IGBT in the new high creepage TO-247-3 package <ul style="list-style-type: none"> › Very low $V_{CE(sat)}$ of 1.45 V @25°C › High creepage and clearance TO-247 package › Optimized for full-rated hard switching turn-off 	Air conditioning, welding <ul style="list-style-type: none"> › RAC/CAC PFC outdoor compressor › Compact/portable welding › Light-medium industrial welding



1200 V IGBT families

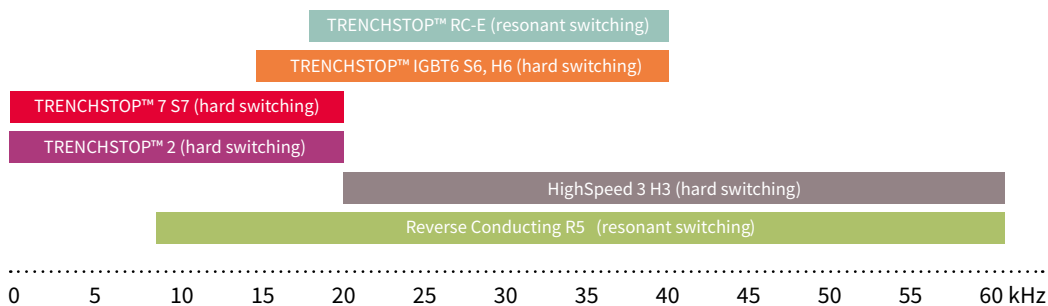
The 1200 V TRENCHSTOP™ 2 IGBT is optimized for low conduction losses with the lowest saturation voltage $V_{CE(sat)}$ of 1.75 V. A soft fast recovery emitter controlled diode further minimizes the turn-on losses.

The 1200 V HighSpeed 3 discrete IGBTs provides the lowest losses and the highest reliability for switching above 20 kHz. Transition to fast switching high-speed devices allows reduction in the size of the active components (25-70 kHz).

The new 1200 V IGBT generation, TRENCHSTOP™ IGBT7 S7, is designed to meet requirements of high efficiency, lowest conduction and switching losses in hard switching and resonant topologies, operating at switching frequencies up to 20 kHz. The IGBT7 S7 devices can be used as direct replacement for the TRENCHSTOP™ T2 and alternative to HighSpeed 3 H3 series.

The Reverse Conducting R5 is the latest generation in the RC-H series of reverse conducting IGBT. With a monolithically integrated diode, they offer optimized performance for resonant switching applications such as induction cooking. R5 devices are also available in 1350 V and 1600 V blocking voltage.

EiceDRIVER™ isolated gate driver like 1ED Compact family and EiceDRIVER™ 1200 V level shift gate driver family are perfect match for the 1200 V IGBT in motor control, general purpose inverter, solar, and UPS applications. EiceDRIVER™ low-side gate driver with over current protection is widely used in induction cooking application.



Reverse Conducting R5	World-class Reverse Conducting RC-H products High performance and low losses	Induction cooking Resonant switching Medium to high frequency converters
Reverse Conducting E1	Competitive Reverse Conduction RC-E Price versus performance leader	Induction cooking Resonant switching Low to medium power cookers
TRENCHSTOP™ 2	Best-in-class 1200 V IGBT <ul style="list-style-type: none"> › Outstanding efficiency › Lowest conduction and switching losses › Market proven and recognized quality leader 	Motor control, general purpose inverter, solar, UPS Low frequency converters
HighSpeed 3 H3	High speed/high power IGBT <ul style="list-style-type: none"> › First tailless/low loss IGBT on market › Market proven and recognized quality leader 	Solar, UPS, welding Medium frequency converters
TRENCHSTOP™ IGBT6	New low switching losses and high power IGBTs <ul style="list-style-type: none"> › Optimized for operation at 15 – 40 kHz › Best combination of low $V_{CE(sat)}$ of 1.85 V and low switching losses 	UPS, solar, welding Medium frequency converters
TRENCHSTOP™ IGBT7 S7	New low switching losses and high power IGBTs <ul style="list-style-type: none"> › Optimized for operation up to 20kHz › Best-in-class $V_{CE(sat)}$ and low switching losses 	Industrial Drives, solar, HVAC Low/medium frequency converters

www.infineon.com/rch5

www.infineon.com/rc-e

www.infineon.com/discreteigt7

For more details on the product, click on the part number, visit infineon.com or contact our [product support](#).



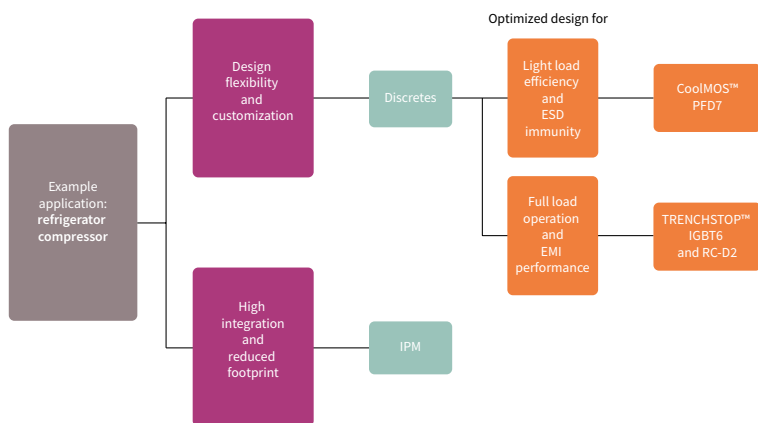
Lower power drive IGBT portfolio

650 V TRENCHSTOP™ IGBT6 and 600 V RC-D2

Motor drives up to 1 kW are used in a wide variety of applications, from home appliance fans and compressors to pumps. The market for these products demands design flexibility, EMI performance, and easy controllability. Therefore, these compact motors require power electronics with the lowest losses and best thermal performance. The TRENCHSTOP™ IGBT6 family of discrete devices has been designed for the lowest switching losses, which is particularly important in systems with higher switching frequencies (up to 30 kHz). Additionally, the IGBTs are co-packed with the soft, fast-recovery Rapid 1 anti-parallel diodes for the lowest total losses. With a higher blocking voltage at 650 V, and short-circuit rating, TRENCHSTOP™ IGBT6 is a key contributor to robust motor designs.

The new RC-D2 family of discrete devices has been cost-optimized in surface-mounted packages. The device contains a monolithically integrated diode and has HV-H3TRB ruggedness capability. With a blocking voltage at 600 V, and 3 μs short-circuit rating, the RC-D2 is a key contributor to cost-effective motor designs.

Switch selection for low power drives < 300 W

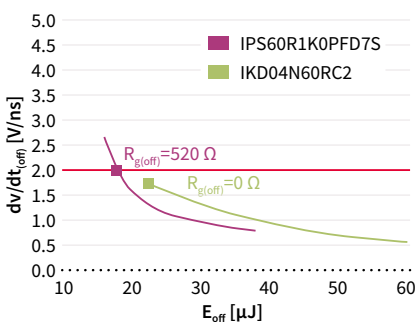
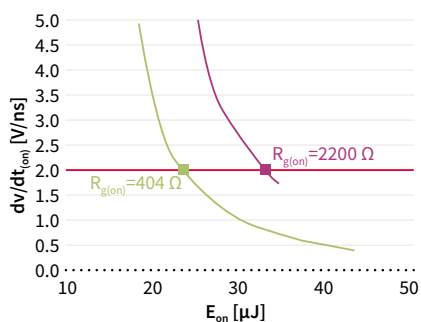


Features and benefits

Key features
> Available in surface-mounted packages
> IGBT6 co-packed with and without diodes (DPAK, TO-220FP)
> RC-D2 monolithically integrated diode (DPAK, SOT-223)
> SC rating up to 3 μs
> Low EMI due to easy controllability

Key benefits
> Enable space limited application
> Performance improvement
> Cost-optimized solution
> SC protection
> No need for additional components on PCB

EMI performance



- > $R_{g(on)}$ and $R_{g(off)}$ are selected to meet dv/dt of 2 V/ns at 500 mA and T_j of 100°C
- > IGBTs (IKD04N60RC2) are easily controllable by optimizing R_g values
- > CoolMOS™ (IPS60R1K0PFD7S) EMI performance can be enhanced with additional passive components

www.infineon.com/IGBT6
www.infineon.com/rcd2
www.infineon.com/gatedriver

For more details on the product, click on the part number, visit infineon.com or contact our [product support](#).



Reverse Conducting for soft-switching applications

650 V Reverse Conducting R6 IGBT in TO-247 package

The 650 V R6 IGBT offers the lowest $V_{CE(sat)}$ and optimized E_{off} for best efficiency, minimized power losses and cooling effort. The good EMI behavior simplifies filtering design, reduces system costs and effort for the designers. Thanks to the best system performances and high compatibility with the existing gate driver solution, 650 V R6 IGBT represents the optimal choice for soft switching topologies.

Features and benefits

Key features	Key benefits
> Very low $V_{CE(sat)}$ and low E_{off}	> Lowest losses on IGBT, high system efficiency for higher power output
> High ruggedness and stable temperature behavior	> Fast and easy replacement of predecessor R5 portfolio
> Maximum operating T_j of 175 °C	> High device reliability
	> Good EMI behavior

Package innovations

Discrete IGBT package overview

Infinion discrete IGBT package portfolio contains SMD (surface mount device) packages, for example, **D²PAK**, DPAK, **SOT-223**, and through-hole packages, for example, TO-220, TO-220 FP, TO-247, TO-247-3-HCC, TO-247-4, **TO-247PLUS**, **TO-247PLUS-4**, and TO-247 advanced isolation packages. It provides discrete IGBTs solutions with and without anti-parallel diode, which is an excellent fit to use in industrial, home appliance, and automotive applications.

	SOT-223 SMD	TO-252 (DPAK)	TO-263 (D ² PAK)	TO-220	TO-220 FullPAK	TO-247	TO-247 4-pin	TO-247PLUS	TO-247PLUS 4-pin	TRENCH-STOP™ advanced isolation TO-247	TO-247-3-HCC
Package options											
Voltage class	600 V, 650 V, 1100 V, 1200 V, 1350 V, 1600 V									600 V, 650 V	650 V
Configuration	DuoPack (with diode), single IGBTs									DuoPack IGBTs (with diode) and single diodes	
Continuous collector current $T_c = 100^\circ\text{C}$	3-120 A									40-90 A	20 -70 A

www.infineon.com/rch6
www.infineon.com/latest-discrete-packages

For more details on the product, click on the part number, visit infineon.com or contact our [product support](#).



TRENCHSTOP™ advanced isolation

Fully isolated TO-247 package with industry leading IGBTs

TRENCHSTOP™ advanced isolation solution breaks the limits reached by traditional packaging and isolation techniques. This new isolated package enables the highest power density, the best performance and the lowest cooling effort thanks to an effective and reliable thermal path from the IGBT die to the heatsink.

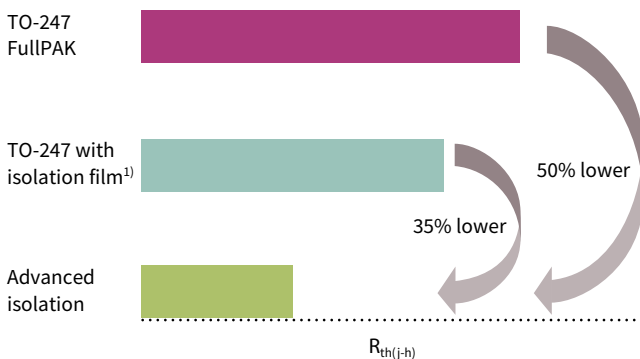
In addition to providing 100 percent electrical isolation, TRENCHSTOP™ advanced isolation also eliminates the need for thermal grease or thermal interface sheets. The new package delivers at least 35 percent lower thermal resistivity, helping designers to increase power density, as well as lower system complexity and assembling costs.

This new package solution allows industrial and home appliance designs to fully utilize the high performance of TRENCHSTOP™ IGBTs without compromises for isolation and cooling.

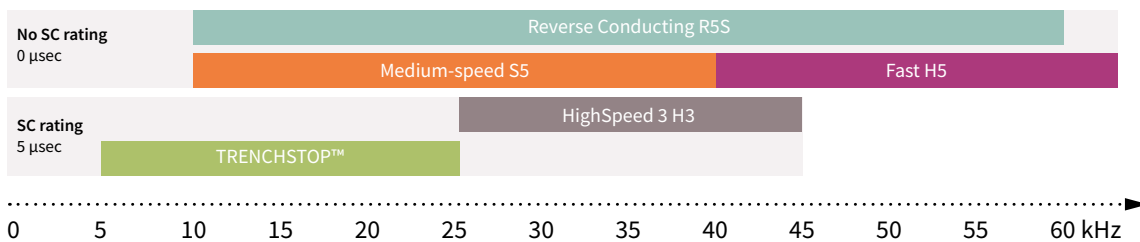
Features and benefits

Key features	Key benefits
> 2500 V _{RMS} electrical isolation, 50/60 Hz, t = 1 min	> Up to 35 percent reduction in assembly time reduces manufacturing cost
> 100 percent tested isolated mounting surface	> Increased power density
> Lowest R _{th(j-h)}	> Improved reliability from higher yield and no isolation film misalignment
> Low coupling capacitance, 38 pF	> Less EMI filter design effort
> No need for isolation film or thermal interface material	> Decreased heatsink size

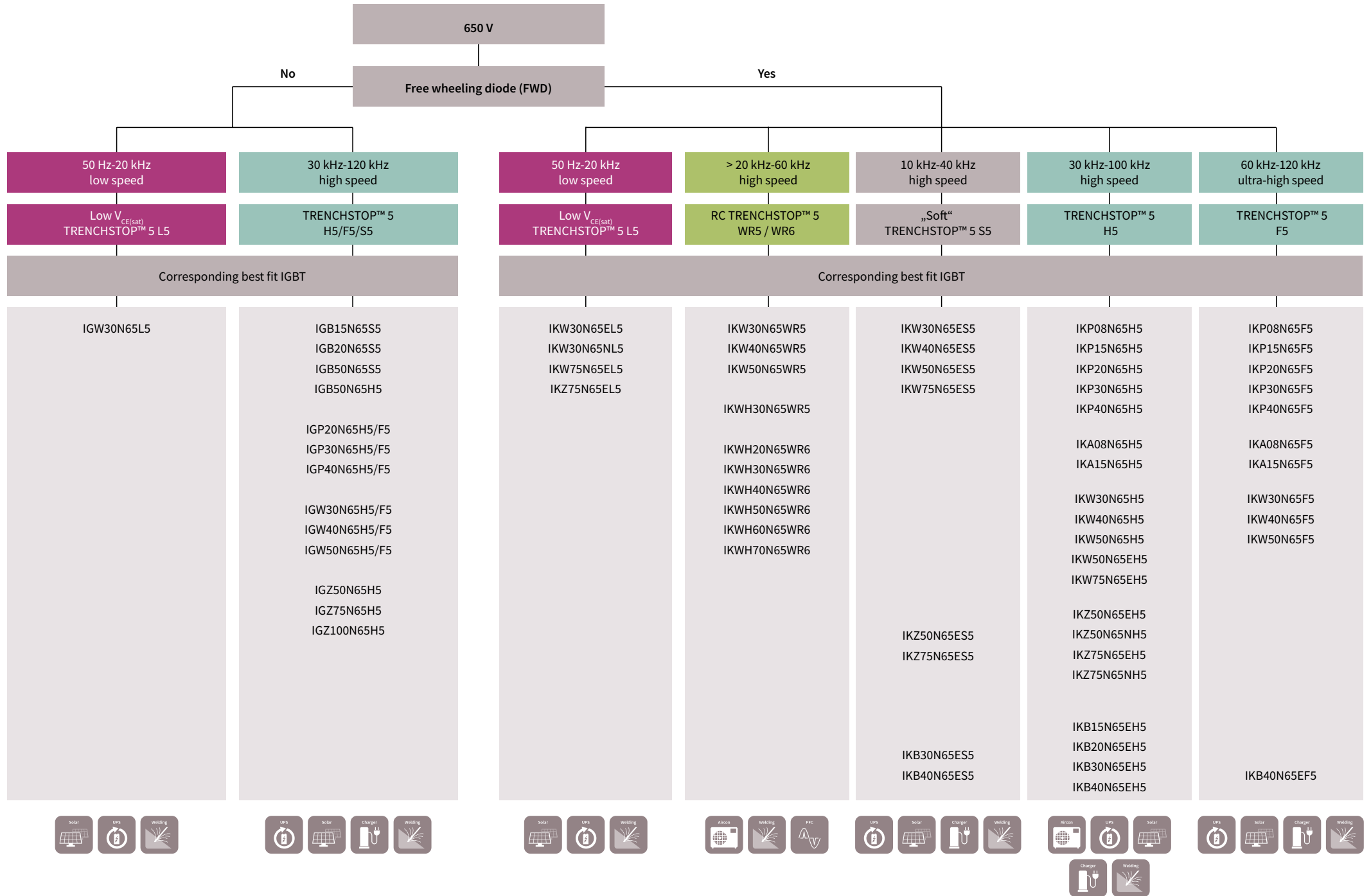
Thermal resistivity of package and isolation types



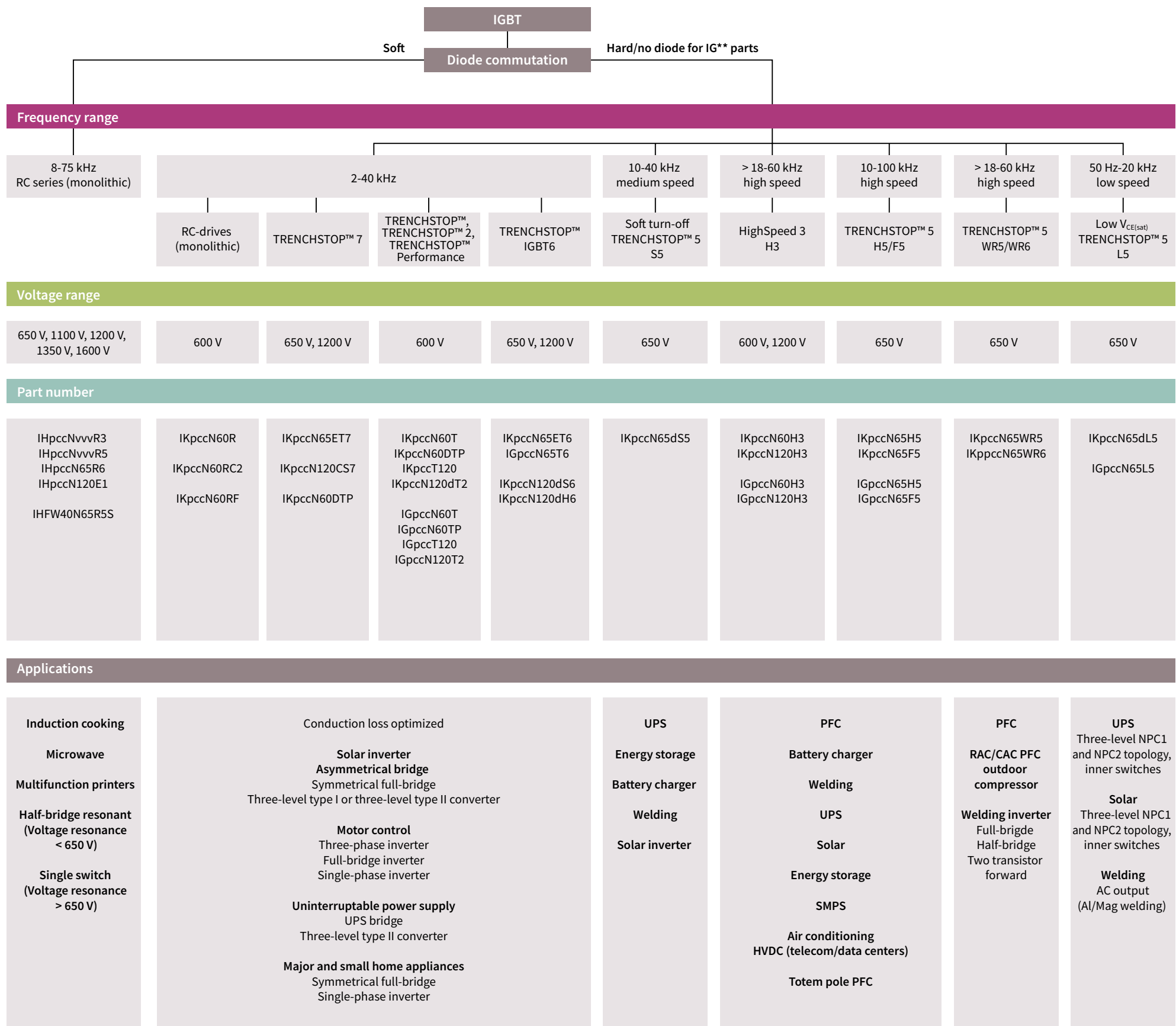
1) Isolation material: standard polyimide based reinforced carrier insulator film with 152 μm thickness, 1.3 W/mK thermal conductivity



TRENCHSTOP™ 5 selection tree



IGBT selection tree



TRENCHSTOP™ and RC-drives

600 V/650 V product family together with 650 V SOI gate driver family



Continuous collector current @ T _c =100°C [A]		TO-251 (IPAK)	TO-252 (DPAK)	TO-263 (D ² PAK)	TO-220	TO-247 advanced isolation	TO-220 FullPAK	TO-247	TO-247PLUS/ Super 247 (TO-247AA)	SOT-223
		Halogen-Free	Halogen-Free	Halogen-Free	Halogen-Free	Halogen-Free	Halogen-Free	Halogen-Free	Halogen-Free	Halogen-Free
Single IGBT	4	IGU04N60T								
	6		IGD06N60T IGD06N65T6		IGP06N60T					
	10		IGD10N65T6	IGB10N60T	IGP10N60T					
	15		IGD15N65T6	IGB15N60T	IGP15N60T					
	30			IGB30N60T				IGW30N60T IGW30N60TP		
	40							IGW40N60TP		
	50			IGB50N60T	IGP50N60T			IGW50N60T IGW50N60TP		
	75							IGW75N60T		
IGBT and diode	1									IKN01N60RC2
	3		IKD03N60RF							IKN03N60RC2
	4		IKD04N60RC2 IKD04N60RF IKD04N60R		IKP04N60T					IKN04N60RC2
	6		IKD06N60RC2 IKD06N60RF IKD06N60R IKD06N65ET6	IKB06N60T	IKP06N60T		IKA06N60T			IKN06N60RC2
	8		IKD08N65ET6							
	10		IKD10N60RC2 IKD10N60RF IKD10N60R	IKB10N60T	IKP10N60T		IKA10N60T			
	15		IKD15N60RC2 IKD15N60RF IKD15N60R	IKB15N60T	IKP15N60T		IKA15N60T			
	20			IKB20N60T	IKP20N60T			IKW20N60T		
	30							IKW30N60T IKW30N60DTP		
	40							IKW40N60DTP		
	50					IKFW50N60ET		IKW50N60T IKW50N60DTP		
	75					IKFW75N60ET		IKW75N60T		
	100								IKQ100N60T	
	120								IKQ120N60T	

TRENCHSTOP™ IGBT6

650 V product family together with 650 V SOI gate driver family



Continuous collector current @ T _c =100°C [A]	TO-252 (DPAK) Halogen-Free	TO-220 FullPAK Halogen-Free
6	IKD06N65ET6 IGD06N65T6	
8	IKD08N65ET6	IKA08N65ET6
10	IGD10N65T6	IKA10N65ET6
15	IGD15N65T6	IKA15N65ET6

TRENCHSTOP™ IGBT6

1200 V fast speed IGBT product family together with isolated gate driver family



Continuous collector current @ T _c =100°C [A]	TO-247	TO-247PLUS 3-pin Halogen-Free	TO-247PLUS 4-pin Halogen-Free
DuoPack	15	IKW15N120BH6	
	40	IKW40N120CS6	IKY40N120CS6
	75		IKY75N120CS6

TRENCHSTOP™

1200 V product family together with isolated driver and 1200 V level shift driver family



Continuous collector current @ T _c =100°C [A]	TO-247 Halogen-Free			TO-247PLUS 3-pin Halogen-Free		TO-247 4-pin Halogen-Free
	TRENCHSTOP™	TRENCHSTOP™ 2	TRENCHSTOP™ 7 S7	TRENCHSTOP™ 2	TRENCHSTOP™ 7 S7	TRENCHSTOP™ 7 S7
Single IGBT	8	IGW08T120				
	15	IGW15T120				
	25	IGW25T120				
	40	IGW40T120				IKZA40N120CS7
	60	IGW60T120				
DuoPack	8	IKW08T120		IKW08N120CS7		
	15	IKW15T120	IKW15N120T2	IKW15N120CS7		
	25	IKW25T120	IKW25N120T2	IKW25N120CS7		
	40	IKW40T120	IKW40N120T2	IKW40N120CS7	IKQ40N120CT2	IKQ75N120CS7
	50			IKW50N120CS7	IKQ50N120CT2	IKQ100N120CS7
75				IKQ75N120CT2	IKQ120N120CS7	

TRENCHSTOP™ 7 T7

Together with isolated driver, 650 V SOI driver, and low side driver family



Continuous collector current @ T _c =100°C [A]	TO-220 FullPAK Halogen-Free
20	IKW20N65ET7
30	IKW30N65ET7
40	IKW40N65ET7
50	IKW50N65ET7
75	IKW75N65ET7

www.infineon.com/igbt6

www.infineon.com/discreteigbt7

For more details on the product, click on the part number, visit infineon.com or contact our [product support](#).



Induction heating series

650 V, 1100 V, 1200 V, 1350 V and 1600 V product families together with isolated driver and low side driver family



Continuous collector current @ T _c =100°C [A]	TO-247 advanced isolation Halogen-Free	TO-247 Halogen-Free				
		650 V	1100 V	1200 V	1350 V	1600 V
15				IHW15N120E1		
20				IHW20N120R5	IHW20N135R5	
25				IHW25N120E1		
30		IHW30N65R6 IHW30N65R5	IHW30N110R3 IHW30N110R5	IHW30N120R5	IHW30N135R5	IHW30N160R5
40	IHF40N65R5S	IHW40N65R6 IHW40N65R5		IHW40N120R5	IHW40N135R5	
50		IHW50N65R6 IHW50N65R5				

HighSpeed 3

Together with isolated driver, 650 V SOI driver, and low side driver family



Continuous collector current @ T _c =100°C [A]	TO-263 (D ² PAK) Halogen-Free	TO-220 Halogen-Free	TO-247 advanced isolation Halogen-Free	TO-247 Halogen-Free
	IGBT	20	IGB20N60H3	IGP20N60H3
30		IGB30N60H3	IGP30N60H3	IGW30N60H3
40				IGW40N60H3
50				IGW50N60H3
60				IGW60N60H3
75				IGW75N60H3
100				IGW100N60H3
DuoPack	20	IKB20N60H3	IKP20N60H3	IKW20N60H3
	30			IKW30N60H3
	40			IKW40N60H3
	50			IKW50N60H3
	60			IKW60N60H3
	75			IKW75N60H3
	90			IKW90N60EH3

HighSpeed 3

1200 V product family together with isolated driver, and 1200 V level shift driver family



Continuous collector current @ T _c =100°C [A]	TO-247 Halogen-Free	TO-247PLUS 3-pin Halogen-Free	TO-247PLUS 4-pin Halogen-Free
	IGBT	15	IGW15N120H3
25		IGW25N120H3	
40		IGW40N120H3	
DuoPack	15	IKW15N120H3	
	25	IKW25N120H3	
	40	IKW40N120H3	IKQ40N120CH3 IKY40N120CH3
	50		IKQ50N120CH3 IKY50N120CH3
75		IKQ75N120CH3 IKY75N120CH3	

www.infineon.com/rch5
www.infineon.com/rch6
www.infineon.com/rc-e
www.infineon.com/advanced-isolation

For more details on the product, click on the part number, visit infineon.com or contact our [product support](#).



TRENCHSTOP™ 5 F5, H5 and S5

Together with isolated driver, 650 V SOI driver, and low side driver family



Continuous collector current @ T _c =100°C [A]		TO-263 (D ² PAK) Halogen-Free	TO-220 Halogen-Free	TO-247 advanced isolation Halogen-Free	TO-220 FullPAK Halogen-Free	TO-247 Halogen-Free	TO-247 4-pin Halogen-Free	
IGBT	20	IGB20N65S5	IGP20N65F5/IGP20N65H5					
	30	IGB30N65S5	IGP30N65F5/IGP30N65H5					
	40		IGP40N65F5/IGP40N65H5			IGW40N65F5/IGW40N65H5		
	50	IGB50N60H5				IGW50N65F5/IGW50N65H5	IGZ50N65H5	
		IGB50N60S5						
	75					IGW75N65H5	IGZ75N65H5	
DuoPack	100						IGZ100N65H5	
	8		IKP08N65F5/IKP08N65H5		IKA08N65F5/IKA08N65H5			
	15	IKB15N65EH5	IKP15N65F5/IKP15N65H5		IKA15N65F5/IKA15N65H5			
	20	IKB20N65EH5	IKP20N65F5/IKP20N65H5					
	28		IKP28N65ES5					
	30		IKB30N65EH5	IKP30N65F5/IKP30N65H5			IKW30N65H5	
			IKB30N65ES5				IKW30N65ES5	
	39		IKP39N65ES5					
	40		IKB40N65ES5	IKP40N65F5/IKP40N65H5	IKFW40N65DH5		IKW40N65F5/IKW40N65H5	
			IKB40N65EH5				IKW40N65ES5	
			IKB40N65EF5					
	50				IKFW50N65ES5		IKW50N65F5/IKW50N65H5	IKZ50N65EH5
					IKFW50N65DH5		IKW50N65EH5	IKZ50N65ES5
				IKFW50N65EH5		IKW50N65ES5		
60				IKFW60N65ES5				
				IKFW75N65ES5		IKW75N65EH5	IKZ75N65EH5	
75				IKFW75N65EH5		IKW75N65ES5		
				IKFW90N65ES5				

TRENCHSTOP™ 5 L5 low V_{CE(sat)}

650 V product family together with low side driver family



Continuous collector current @ T _c =100°C [A]		TO-251 (IPAK)	TO-252 (DPAK) Halogen-Free	TO-263 (D ² PAK) Halogen-Free	TO-220 Halogen-Free	TO-262 (I ² PAK) Halogen-Free	TO-220 FullPAK Halogen-Free	TO-247 Halogen-Free	TO-247 4-pin Halogen-Free
IGBT	30							IGW30N65L5	
DuoPack	30							IKW30N65EL5	
	75							IKW75N65EL5	IKZ75N75EL5

TRENCHSTOP™ 5 WR5/WR6

650 V product family together with low side driver family



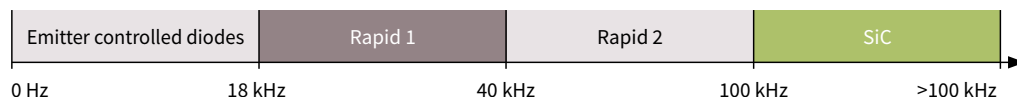
Continuous collector current @ T _c =100°C [A]		TO-247 Halogen-Free	TO-247 HCC Halogen-Free
DuoPack	20		IKWH20N65WR6
	30	IKW30N65WR5	IKWH30N65WR5/IKWH30N65WR6
	40	IKW40N65WR5	IKWH40N65WR6
	50	IKW50N65WR5	IKWH50N65WR6
	60		IKWH60N65WR6
	70		IKWH70N65WR6



Silicon power diodes

Filling the gap between SiC diodes and emitter controlled diodes

The Rapid diode family complements Infineon's existing high-power 600 V/650 V diode portfolio by filling the gap between SiC diodes and previously released emitter controlled diodes. They offer a perfect cost/performance balance and target high-efficiency applications switching between 18 and 100 kHz. Rapid 1 and Rapid 2 diodes are optimized to have excellent compatibility with CoolMOS™ and high speed IGBTs (insulated gate bipolar transistor) such as the TRENCHSTOP™ IGBT7 and TRENCHSTOP™ 5.



The Rapid 1 diode family

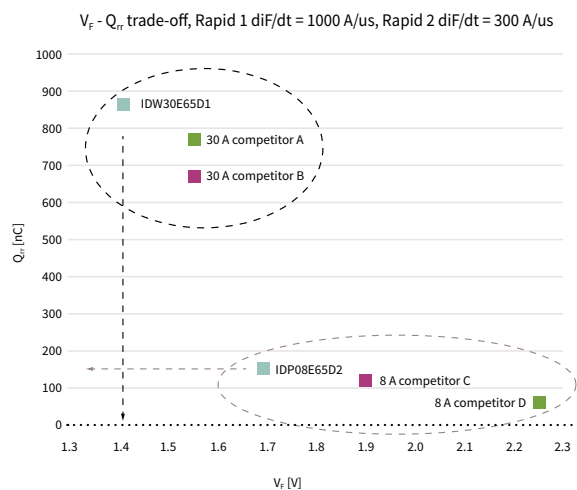
Rapid 1 is forward voltage drop (V_F) optimized to address low switching frequency applications between 18 kHz and 40 kHz, for example, air conditioner and welder PFC stages.

- › 1.35 V temperature-stable forward voltage (V_F)
- › Lowest peak reverse recovery current (I_{rrm})
- › Reverse recovery time (t_{rr}) < 100 ns
- › High softness factor

The Rapid 2 diode family

Rapid 2 is Q_{rr}/t_{rr} optimized hyperfast diode to address high-speed switching applications between 40 kHz and 100 kHz, typically found in PFCs in high efficiency switch mode power supplies (SMPS) and welding machines.

- › Lowest reverse recovery charge (Q_{rr}): V_F ratio for best-in-class performance
- › Lowest peak reverse recovery current (I_{rrm})
- › Reverse recovery t_{rr} < 50 ns
- › High softness factor



www.infineon.com/rapiddiodes

www.infineon.com/ultrasoftdiodes

For more details on the product, click on the part number, visit infineon.com or contact our [product support](#).



Rapid 1 diodes

650 V product family



Continuous current I_F @ $T_C=100^\circ\text{C}$ [A]	TO-220 Halogen-Free	TO-220 FullPAK Halogen-Free	TO-247 Halogen-Free	TO-247 common cathode Halogen-Free	TO-247 advanced isolation Halogen-Free
8	IDP08E65D1				
15	IDP15E65D1				
20		IDV20E65D1			
30	IDP30E65D1		IDW30E65D1	IDW30C65D1	
40			IDW40E65D1		IDFW40E65D1E
60				IDW60C65D1	IDFW60C65D1
75				IDW75D65D1	
80				IDW80C65D1	IDFW80C65D1

Rapid 2 diodes

650 V product family



Continuous current I_F @ $T_C=100^\circ\text{C}$ [A]	TO-220 Halogen-Free	TO-220 FullPAK Halogen-Free	TO-220 common cathode Halogen-Free	TO-247 Halogen-Free	TO-247 common cathode Halogen-Free
8	IDP08E65D2	IDV08E65D2			
15	IDP15E65D2	IDV15E65D2		IDW15E65D2	
20	IDP20E65D2		IDP20C65D2		IDW20C65D2
30	IDP30E65D2	IDV30E65D2	IDP30C65D2		IDW30C65D2
40	IDP40E65D2			IDW40E65D2	
80					IDW80C65D2

Emitter controlled diodes

600 V and 1200 V product families



Continuous current I_F @ $T_C=100^\circ\text{C}$ [A]	TO-263 (D ⁺ PAK) Halogen-Free	TO-220 Real 2-pin Halogen-Free	TO-247 Halogen-Free
600 V	30		IDW30E60
	50		IDW50E60
	75		IDW75E60
	100		IDW100E60
1200 V	12	IDP12E120	
	18	IDP18E120	
	30	IDB30E120	IDP30E120

www.infineon.com/rapiddiodes

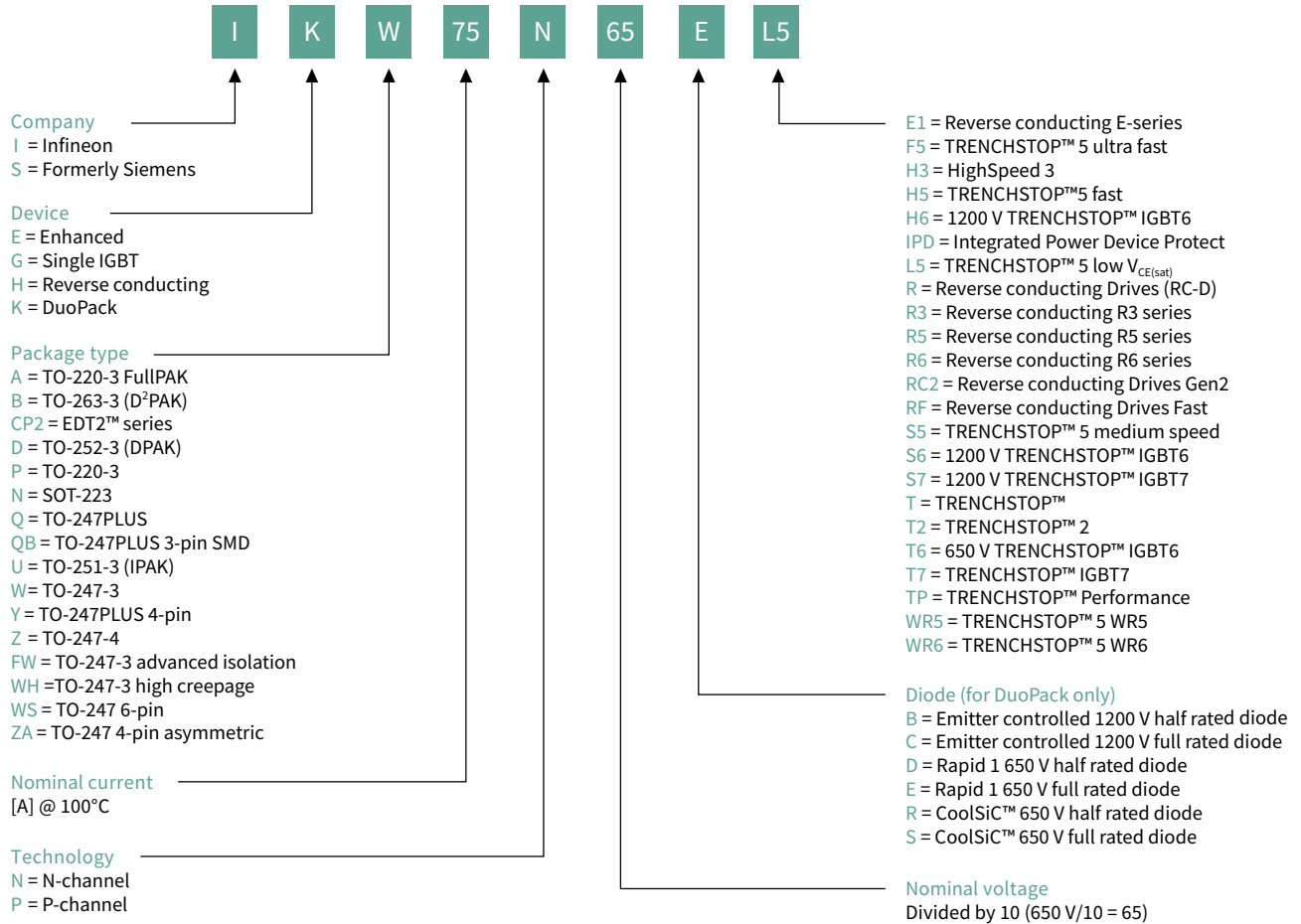
www.infineon.com/ultrasoftdiodes

For more details on the product, click on the part number, visit infineon.com or contact our [product support](#).

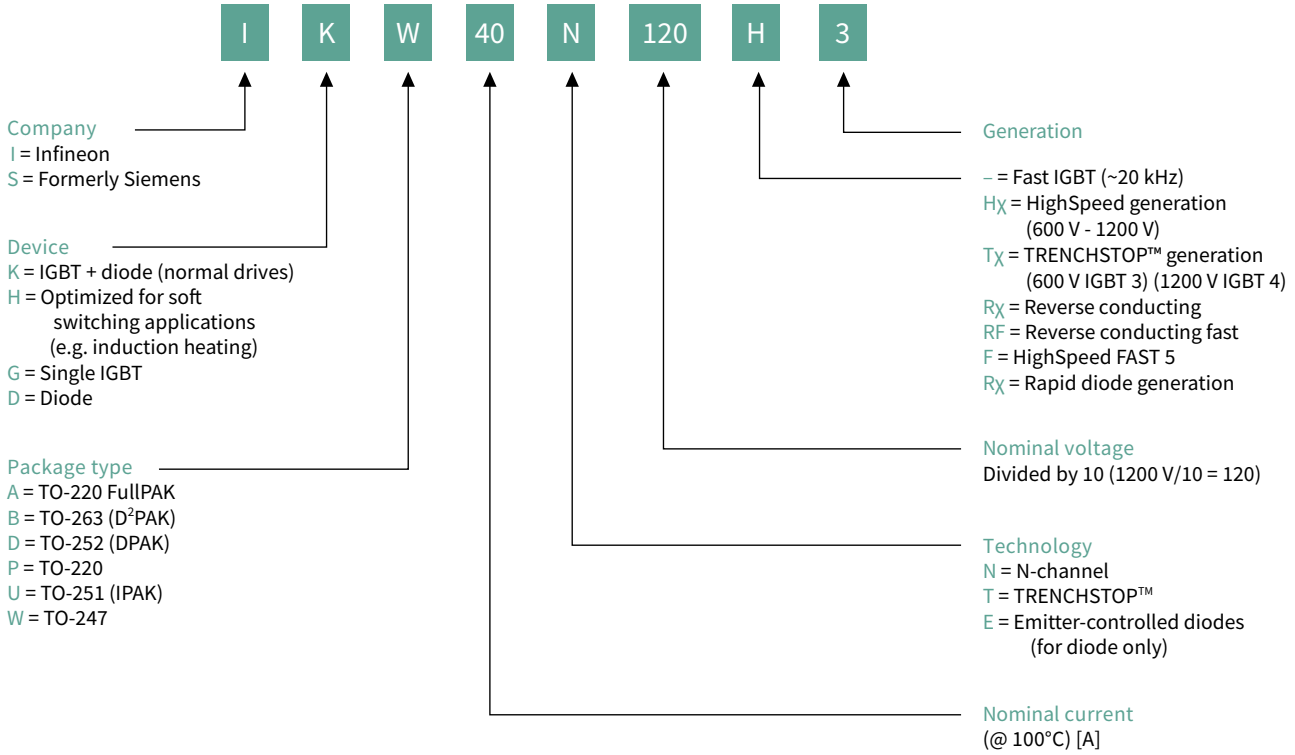


Nomenclature

IGBT (after 03/2013)

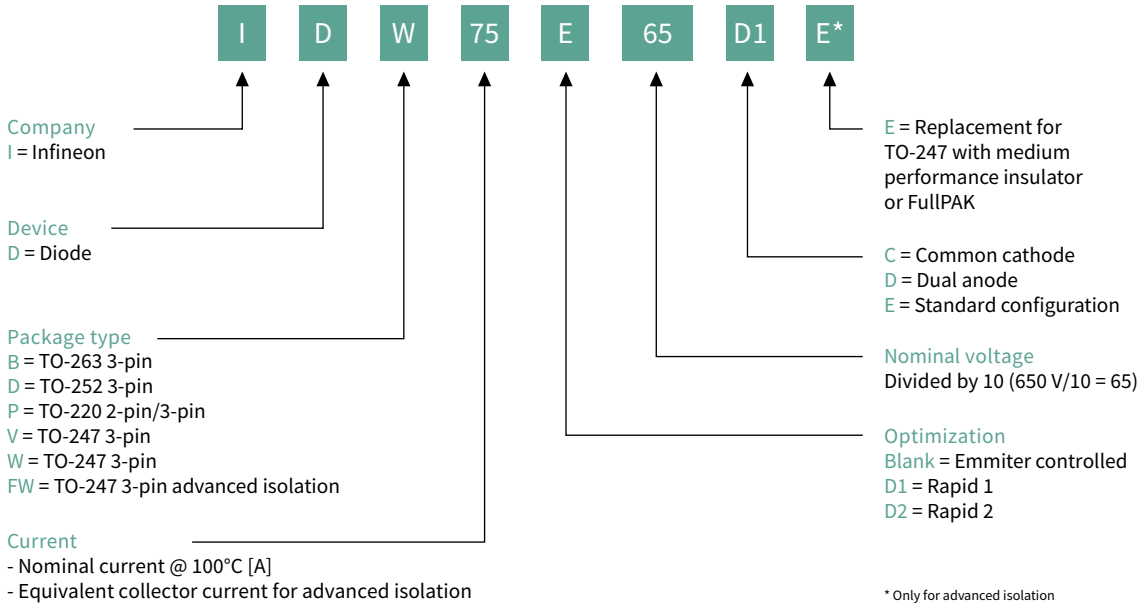


IGBT (before 03/2013)



Nomenclature

Silicon power diodes





Infineon support for discrete IGBTs and silicon power diodes

Useful links and helpful information

Further information, datasheets and documents

www.infineon.com/igbt

www.infineon.com/igbt/discretes

www.infineon.com/rapiddiodes

www.infineon.com/discreteIGBT7

www.infineon.com/ultrasoftdiodes

www.infineon.com/discrete-automotive-igbt

www.infineon.com/latest-discrete-packages

Evaluation boards and simulation models

www.infineon.com/eval-TO-247-4pin

www.infineon.com/igbt/discrete-simulationmodels





Intelligent power switches and modules

- › CIPOS™ IPM family
- › iMOTION™ IPM
- › ISOFACE™ isolated industrial interface
- › Industrial PROFET™
- › HITFET™
- › CIPOS™, iMOTION™, ISOFACE™, industrial PROFET™ and HITFET™ product portfolio

Dear users!

Our customers are at the heart of everything we do. Please give us feedback on how we can improve to meet your expectations with this document the best.



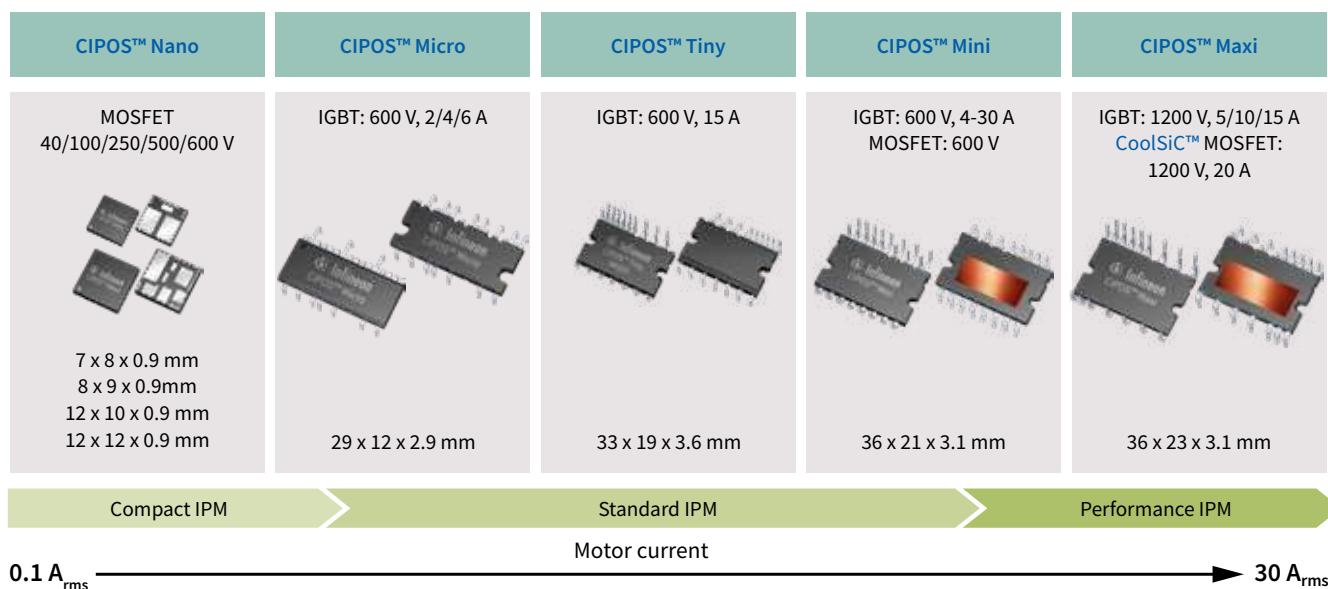
CIPOS™ IPM family

CIPOS™ intelligent power modules in different packages, voltage and current classes

Infiniteon has a broad portfolio of intelligent power modules (IPMs) with different semiconductors combined in various packages in varying voltage and current classes. These IPMs are separated into Compact, Standard and Performance families.

Part of the IPMs is divided into **CIPOS™ Nano**, **CIPOS™ Micro**, **CIPOS™ Tiny**, **CIPOS™ Mini** and **CIPOS™ Maxi** families. CIPOS™ IPMs are families of highly integrated, compact power modules designed to drive motors in applications ranging from home appliances, fans, pumps, HVAC to industrial drives. These energy-efficient intelligent power modules integrate the latest power semiconductor and ICs technologies from Infineon.

CIPOS™ product overview



Key benefits

- > Fast time-to-market
- > Increased reliability
- > Reduced system design complexity
- > Improved manufacturability

CIPOS™ Nano

Ultra compact three-phase or half-bridge MOSFET IPMs

The ultra-compact **CIPOS™ Nano** is a family of highly integrated power modules for high-efficiency consumer and light industrial applications. With half-bridge and three-phase configurations, **CIPOS™ Nano** is designed for the rectifier, converter, and inverter stage in power management circuits and motor drives for applications like fans, hair dryers, air purifiers, and circulation pumps. By implementing an innovative Power QFN package, which utilizes PCB copper traces to dissipate heat from the module, **CIPOS™ Nano** family delivers a new benchmark in device size, offering up to a 60 percent smaller footprint than existing three-phase motor control power IPMs.

The family is comprised of a series of fully integrated three-phase, half-bridge and H-bridge surface-mount motor control circuit solutions. The new alternative approach utilizes PCB copper traces to dissipate heat from the module, providing cost savings through a smaller package design and even eliminating the need for an external heat sink.

Features and benefits





Key benefits
> Various switch technologies such as HEXFETs, Trench FREDFETs, Trench MOSFETs, CoolMOS™ and OptiMOS™ apply to motor drivers
> Multiple package platforms with various topologies to suitable for a variety of application scenarios
> Integrated bootstrap functionality and gate drivers
> Realize a variety of protection (overcurrent protection, under-voltage lockout, over-temperature protection, fault reporting and etc.)
> Accessible for heat sink-less operation

Key advantages
> Smallest modules in the market
> Cost savings from smaller footprint and reduced PCB space
> Easy implementation of 2 or 3-phase motor drives
> Half bridge configuration enables more flexible board design w/better thermal performance
> Same PCB footprint to address multiple application markets (100 VAC – 230 VAC)

Key applications

- > Hair dryer
- > Fan motor
- > Pump
- > Air conditioner Indoor Unit
- > Air purifiers
- > Small kitchen appliances
- > CPAP machine

Package overview

QFN 7x8 7 x 8 x 0.9 mm	QFN 8x9 8 x 9 x 0.9 mm	QFN 12x10 12 x 10 x 0.9 mm	QFN 12x12 12 x 12 x 0.9 mm
			



CIPOS™ Micro

Solution for low power motor drive applications

CIPOS™ Micro is a family of compact, three-phase IPMs (intelligent power modules) for low-power (i.e., up to 500 Watts with heatsink) motor drive applications, including ventilation fans, circulation pumps, air purifiers, dish washer and refrigerator compressor drives. CIPOS™ Micro has several protection features, including precise overcurrent protection and a UL-certified temperature sensor. Available in both surface mount and through-hole configurations, the family features rugged and efficient high voltage IGBTs specially optimized for variable frequency drives with a 600 V rating. Also, these IPMs utilize high-voltage gate drivers tuned to achieve an optimal balance between EMI and switching losses.

Features and benefits

Key features	Key benefits
<ul style="list-style-type: none"> > Wide range of product coverage > Optimized dv/dt for loss and EMI trade offs > HV H3TRB qualified > Compatible with mass-market TO-2xx heat sinks and clips > Power capability up to 500 W at isolation 2000 VRMS, 1 min 	<ul style="list-style-type: none"> > Save system space and cost through the enhanced power capability > Offer application-optimized solution for both fast switching and low EMI version > Improve system ruggedness thru enhanced protection features & isolation voltage

Key applications

- > RAC outdoor fan
- > Dish washer
- > Fan motor and pump
- > Washing machine
- > Refrigerator
- > General purpose drive

Package overview

DIP 29x12 29 x 12 x 3.1 mm	SOP 29x12 29 x 12 x 3.1 mm
	



CIPOS™ Tiny IM323 series

Best optimized solution for RAC compressor up to 1.5 HP

CIPOS™ Tiny IM323 is a series of high efficient intelligent power modules that has enhanced package robustness based on the proven package technology as well as the latest gate driver and RCD2 switch technology from Infineon. It integrates best-optimized performance for 600 V IPM and the best efficiency for motor drives in major home appliances.

The family of the products is applicable to wide applications to control variable speed drives, and such as room air conditioners, fans, pumps, washing machines, compressors, and drives up to 1.5 HP.

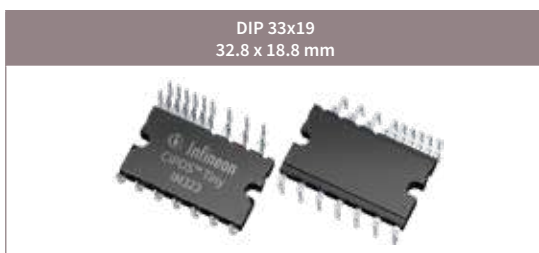
Features and benefits

Key features	Key benefits
<ul style="list-style-type: none"> > Latest TRENCHSTOP™ Reverse Conducting (RC) technology 	<ul style="list-style-type: none"> > Fast time to market with pin-compatibility
<ul style="list-style-type: none"> > IGBT's maximum junction temperature 175 °C 	<ul style="list-style-type: none"> > Robust and reliable solution
<ul style="list-style-type: none"> > Rugged new SOI gate driver technology 	<ul style="list-style-type: none"> > Reliable in-house supply chain
<ul style="list-style-type: none"> > Proven & enhanced package robustness 	
<ul style="list-style-type: none"> > Compatible pin out design 	

Key applications

- > Room air conditioning
- > Washing machine
- > HVAC outdoor fan
- > Fans and pumps
- > General purpose drives

Package overview



CIPOS™ Mini

Broad range of configurations from PFC to inverter

CIPOS™ Mini is a family of highly efficient intelligent power modules that has the highest power density with 4 A to 30 A rated products built into a single package platform. It integrates various power and control components to increase reliability, and optimize PCB size and system costs. Utilizing multiple configurations, **CIPOS™ Mini** IPMs apply to a wide range of applications to control variable speed drives, such as air conditioners, washing machines, refrigerators, vacuum cleaners, compressors, and industrial drives up to 3 kW.

The configurations offered within the **CIPOS™ Mini** family are 2-phase MOSFET, 3-phase MOSFET, and IGBT, integrated PFC, and 2-phase and 3-phase interleaved PFC. All options include an integrated gate driver and a built-in temperature sensor. **CIPOS™ Mini** provides optimized performance for power applications, which need good thermal conduction and electrical isolation, but also EMI-safe control, innovative FAULT indication, and overload protection.

Infineon's TRENCHSTOP™ IGBTs, reverse-conducting IGBTs, or **CoolMOS™** power MOSFETs are combined with newly optimized Infineon SOI gate driver IC for excellent electrical performance. Also, **CIPOS™ Mini** family offers IPMs with DCB substrates, improving heat dissipation to provide higher power capability.

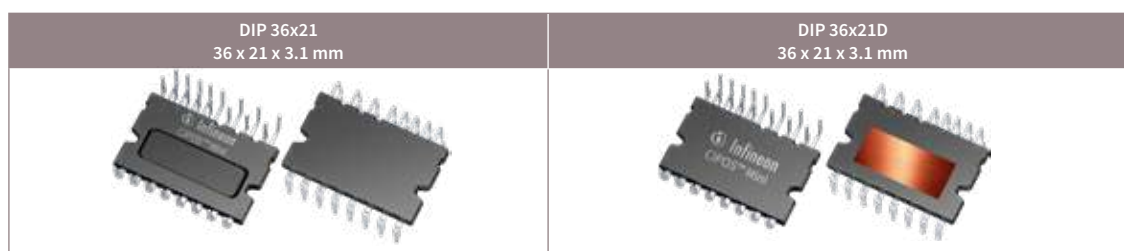
Features and benefits

Key features	Key benefits
<ul style="list-style-type: none"> > Wide range of current rating: 4 A to 30 A 	<ul style="list-style-type: none"> > Lower PCB size and system cost
<ul style="list-style-type: none"> > High integration (bootstrap circuit, thermistor, single boost PFC) 	<ul style="list-style-type: none"> > Easy power extension from 300 W to 3 kW
<ul style="list-style-type: none"> > Optimized for target application requirements (separate version for washing machine and air conditioner) 	<ul style="list-style-type: none"> > Optimized performance for each application
	<ul style="list-style-type: none"> > UL certified package and temp sensor

Key applications

- > Refrigerator
- > Washing machine
- > Room air conditioning
- > Fans and pumps
- > HVAC outdoor fan
- > General purpose drives

Package overview



CIPOS™ Maxi

Smallest package in 1200 V IPM class while still offering high power density and best performance

The high-performance **CIPOS™ Maxi** intelligent power modules (IPMs) integrate various switching devices and control components to increase reliability, optimize PCB size and system costs. **CIPOS™ Maxi** IPMs are designed to control three-phase AC motors and permanent magnet motors in variable speed drive applications such as low-power industrial motor drives, pumps, fan drives, and active filters for HVAC (heating, ventilation, and air conditioning). The product concept is specially adapted to power applications, which need excellent thermal performance and electrical isolation as well as meeting EMI requirements and overload protection.

The existing IGBT-based portfolio IM818 series offers 5 A and 15 A in 1200 V class up to 3.0 kW power rating, while the newly released IM828 series offers superior efficiency up to 99% and optimal reliability up to 4.8 kW power rating through the 6 revolutionary CoolSiC™ MOSFETs with an optimized 1200 V 6-channel SOI gate driver. IM828 series provides the exceptional power density with a wide switching speed range up to 80 kHz to adapt to fast-switching applications with superior lower power losses.

Features and benefits

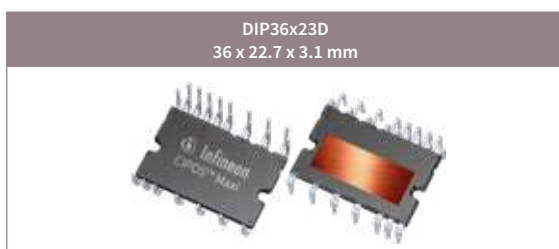
Key benefits
› Fully isolated dual in-line molded module with DCB
› 1200 V TRENCHSTOP™ IGBT 4
› 1200 V CoolSiC™ MOSFET
› Rugged 1200 V SOI gate driver technology
› Integrated bootstrap functionality
› Overcurrent shutdown
› Under-voltage lockout at all channels
› All of six switches turn-off during protection
› Cross-conduction prevention
› Independent NTC for temperature monitoring
› Allowable negative VS potential up to -11 V for signal transmission at V _{BS} of 15 V
› Low side emitter pins accessible for all phase current monitoring (open emitter)
› Programmable fault clear timing
› Enable input

Key advantages
› The smallest package size in 1200 V IPM class with high power density and best performance
› Enhanced robustness of gate driver technology for excellent protection
› High efficiency
› Adapted to high switching application with lower power loss
› Simplified design and manufacturing
› Time-to-market

Key applications

- › Fan and pump
- › HVAC outdoor fan
- › Low-power general purpose drives (GPI, servo drive)
- › Active filter (active power factor correction) for HVAC

Package overview



www.infineon.com/ipm

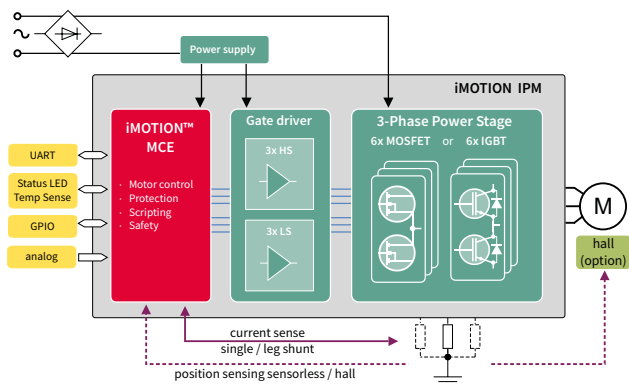
For more details on the product, click on the part number, visit infineon.com or contact our [product support](#).



iMOTION™ IPM

Fully integrated iMOTION™ IPM for BLDC motor control

iMOTION™ IPM is a family of fully integrated modules for the control of three-phase motors, optimized for low-power devices. Within the iMOTION™ IPM family, there are two different series: The IMM100 and IMI110, which combine the motor controller IC and a three-phase inverter stage in a single package, minimizing external components count and PCB area. The three-phase inverter stage is based either on six MOSFETs or six IGBTs. These iMOTION™ IPMs offer the highest integration level by making use of the field-proven iMOTION™ Motion Control Engine (MCE) in combination with providing all required hardware functions: From single shunt current sensing to bootstrap capability, signal filtering and several hardware protections like dead-time insertion and shoot through prevention. An iMOTION™ IPM does not require a heatsink and addresses motor drives with a rated output power between 30 W and 80W with 600 V maximum DC blocking voltage, depending on the chosen product variant. All IMM100 and IMI110 devices support the functional safety requirements according to the IEC/UL 60730-1 (“class B”).



Features and benefits

Key benefits
› Completely self-sustaining Motion Control Engine with identical feature set as the IMC100 series
› Up to 80 W without heatsink
› Support for IEC 60335-1 ('Class B')
› Controller, gate driver and power stage in one package
› IMI in DSO-22 package with single layer layout option

Key advantages
› Fastest time to market with easy parametrization and tuning of motor and PFC control
› Applicable for fans and small pumps
› Support for functional safety integrated
› Minimizing BOM count and PCB area
› Reducing PCB and production costs



EVAL-IMM101T-046 is a Starter Kit for iMOTION™ IMM101T-046M IPMs. Together with the iMOTION™ Solution Designer the board can be used for an easy system configuration, controlling, tuning and monitoring. EVAL-IMM101T-046 enables rapid prototyping of various inverterized motor control systems, for example fans, pumps and compressors.

Product portfolio

Product	Function	Integration	Description	Package
IMI11T-026H	Motor inverter	MCE incl Scripting, gate driver, IGBT based inverter	Output rating: 600V / 2 A, single shunt sensorless operation	PG-DSO-22-1
IMI11T-046H	Motor inverter	MCE incl Scripting, gate driver, IGBT based inverter	Output rating: 600V / 4 A, single shunt sensorless operation	PG-DSO-22-1
IMM101T-046M	Motor inverter	MCE incl Scripting, gate driver, MOSFET based inverter	Output rating: 600 V / 1.4 Ω R _{DS(on)} , single/leg shunt, sensorless/hall	PG-IQFN-38-1
IMM101T-056M	Motor inverter	MCE incl Scripting, gate driver, MOSFET based inverter	Output rating: 600 V / 0.95 Ω R _{DS(on)} , single/leg shunt, sensorless/hall	PG-IQFN-38-2
IMM102T-056M	Motor inverter + PFC control	MCE incl Scripting, gate driver, MOSFET based inverter	Output rating: 500 V / 6 Ω R _{DS(on)} , single/leg shunt, sensorless/hall	PG-IQFN-38-3
IMM102T-046M	Motor inverter + PFC control	MCE incl Scripting, gate driver, MOSFET based inverter	Output rating: 600 V / 1.4 Ω R _{DS(on)} , single/leg shunt, sensorless/hall	PG-IQFN-38-4
IMM102T-056M	Motor inverter + PFC control	MCE incl Scripting, gate driver, MOSFET based inverter	Output rating: 600 V / 0.95 Ω R _{DS(on)} , single/leg shunt, sensorless/hall	PG-IQFN-38-5

www.infineon.com/IMM100

www.infineon.com/IMI110

For more details on the product, click on the part number, visit infineon.com or contact our [product support](#).



ISOFACE™ isolated industrial interface

Output switches and digital input ICs offering unmatched system uptime, reliability and shortened product launch time by 50%

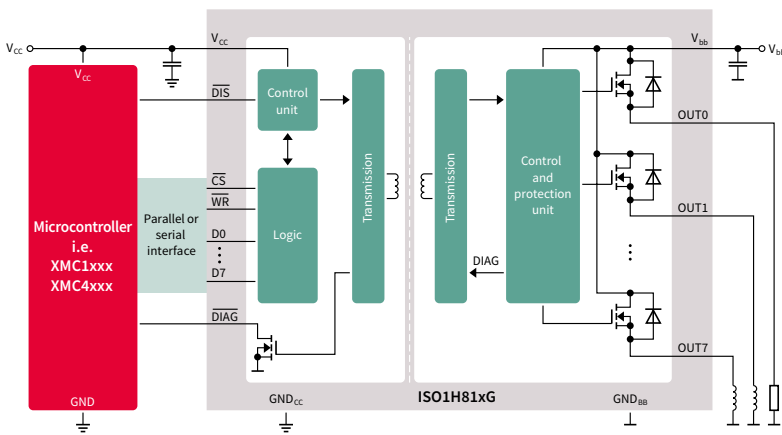
The ISOFACE™ product family provides robust and intelligent galvanic isolation for industrial control applications such as programmable logic controllers, sensor input modules, control panels and general control equipment. The output switches are compact in design, enabling robust and reliable operation at a low system cost. Ideal for high-speed applications, digital input ICs are equally robust, reliable and compact – also offering superior EMI robustness and setting a new standard in diagnostics.

ISOFACE™ galvanic-isolated 8-channel output switches

The ISO1H81xG product family integrates:

- > Robust galvanic isolation (UL508 and C22.2 NO14 certified) to protect the 3.3 V/5 V control domain of an industrial control system from the harsh 24 V process side
- > 8-channel high-side power-switching capabilities of up to 1.2 A per channel
- > Active current limitation and over-temperature protection
- > Common diagnostic feedback for overtemperature and for V_{bb} undervoltage

Isolated output switch block diagram



Isolated output switches



Features and benefits

Key features
> Integrated galvanic isolation (500 V _{AC})
> Eight channels (0.6 or 1.2 A, each)
> Inductive load switching
> Diagnostic feedback (overtemperature, overload)
> Serial and parallel MCU interface

Key benefits
> Robust and reliable
> Compact system solution
> Lower system cost
> System status feedback
> Directly interfacing with all MPUs and MCUs

ISOFACE™ galvanic-isolated 8-channel high-side switch with 10-fold diagnostics

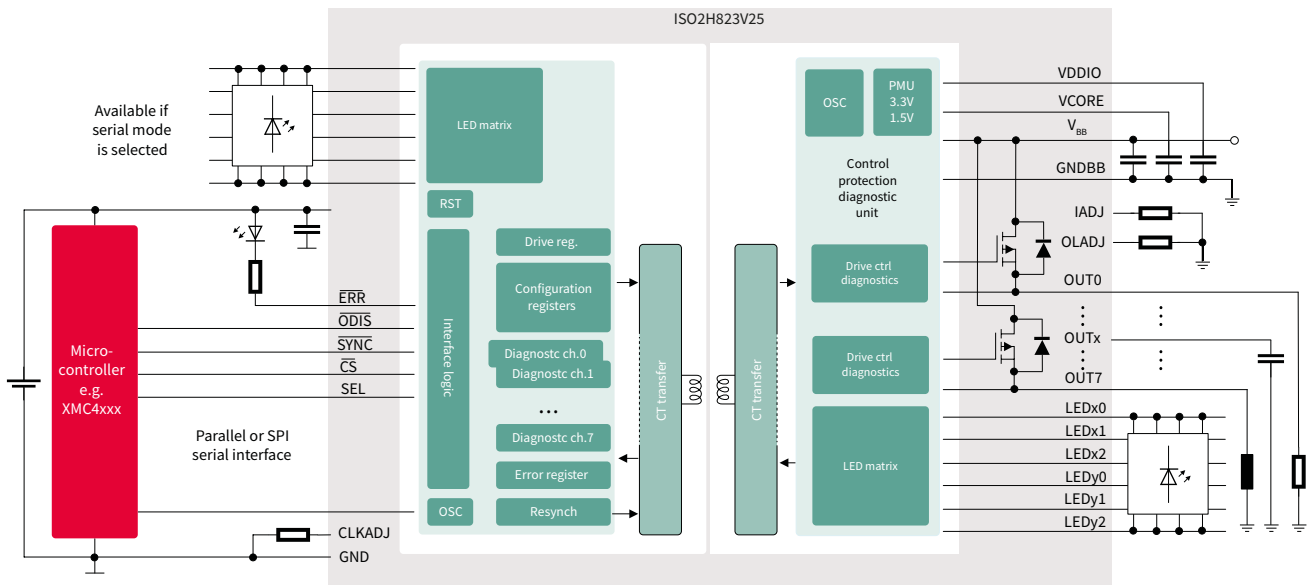
The ISO2H823V establishes a new standard in diagnostics for industrial control applications. For example, in industrial plants with capital-intensive single-tool equipment at work or with time-critical chemical processes running, obtaining in real-time differentiated feedback from the factory floor enables both, preventive maintenance and drastic reduction of the time to fix a problem. This is why the ISO2H823V is a highly desirable system solution. System designers benefit from the ISO2H823V through short time to market, reduced PCB area and uncompromised product reliability.

The ISO2H823V integrates:

- > Robust 2.5 kV AC galvanic isolation:
 - UL508 and CSA C22.2 No.14 certified
 - Protecting the 3.3 V control domain of an industrial control system from the harsh 24 V process side
 - Exceeding the IEC 61131-2 requirements for reinforced isolation
- > 8-channel high-side power-switching capabilities of up to 0.6 A per channel with active current limitation and overtemperature protection
- > 10-fold diagnostic feedback
 - 5 types of feedback which are available individually for each of the eight outputs
 - 5 types of IC-level feedback
- > Common diagnostic feedback for overtemperature and for V_{bb} undervoltage



Typical application



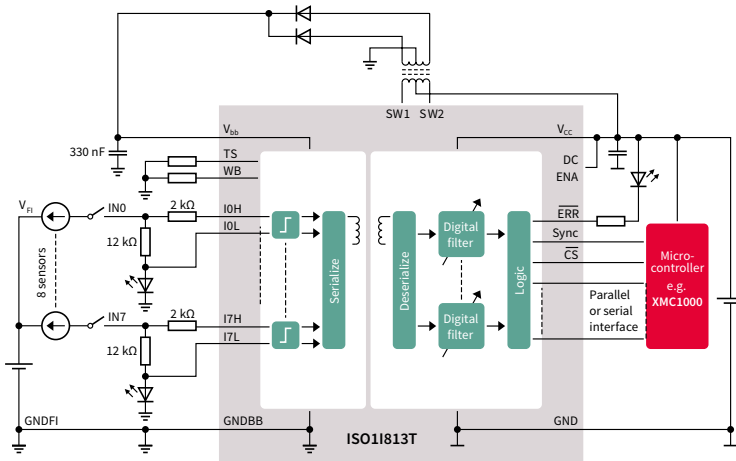
Features and benefits

Key features	Key benefits
> Robust 2.5 kV AC galvanic isolation	> Reliable and UL certified
> Eight channels (up to 0.6 A per channel)	> Small form factor solution
> 10-fold diagnostic feedback (over-temperature, overload)	> Preventive maintenance and short down-times

ISOFACE™ galvanic-isolated digital input ICs

The UL1577 certified ISO1181xT digital input IC family is an intelligent system solution offering robust galvanic isolation between the microcontroller on the “control side” and the 24 V factory floor environment, frequently referred to as the “process side”.

Digital input switch block diagram



Galvanic-isolated digital input ICs



Features and benefits

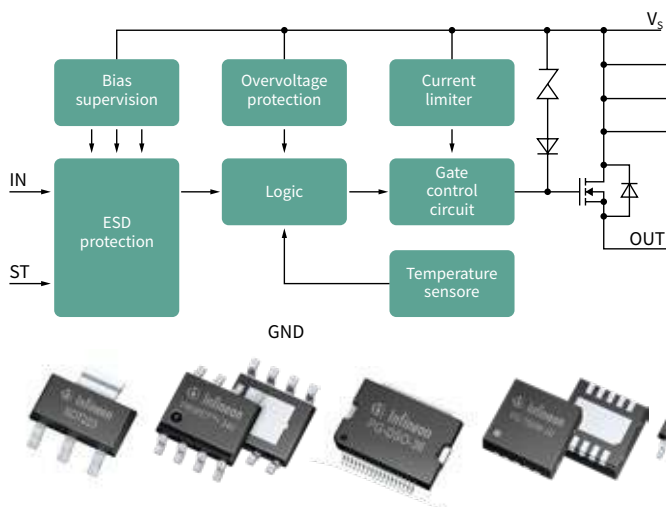
Key features	Key benefits
› Integrated galvanic isolation (500 VAC)	› Robust and reliable
› Eight channels (IEC type 1/2/3)	› Compact system solution
› Up to 500 kHz sampling speed	› High-speed applications
› Programmable input filters	› Superior EMI robustness
› Channel-specific diagnostics (wire-break, undervoltage)	› System status feedback
	› Valuable maintenance support

Industrial PROFET™

Protected high-side switches

Infiniteon's market-proven high-side switch Industrial PROFET™ products have been designed to target various industrial applications that drive all types of resistive, inductive and capacitive loads. Due to their outstanding energy robustness, they are perfectly suitable for switching challenging inductive loads and driving relays. Their main application areas include high-voltage and (V_{supply} up to 60 V) and PWM applications up to 1 kHz. Industrial PROFET™ can be applied to drive any kind of sensor units, indicators, displays, LEDs, relays, valves and magnetic actuators or replace electromechanical relays, fuses and discrete circuitry. Industrial PROFET™ products are also perfect for applications with long wiring or any other kind of inductive loads or applications with space constraints. Failsafe systems do make use of them as well.

PROFET™ typical block diagram



Key applications

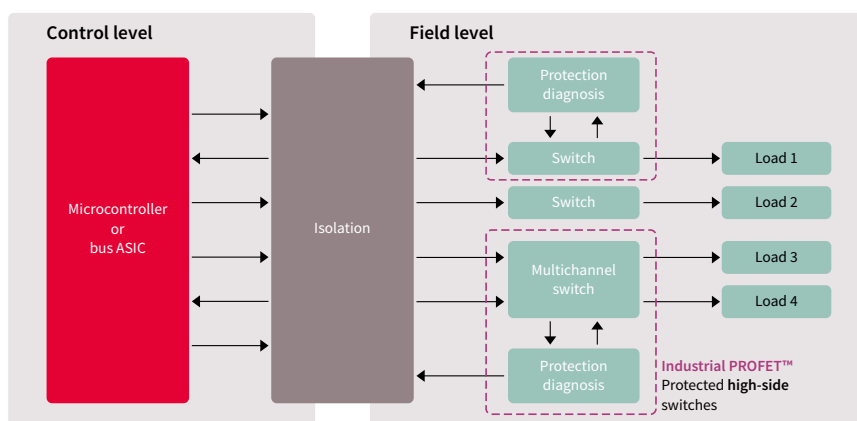
- > Industrial automation
- > Programmable logic controller (PLC)
- > Digital DCS and PC I/O modules
- > Robotics
- > Building and home automation
- > Solar applications
- > Wind energy systems
- > Failsafe systems
- > Smart grid
- > Motor control and drives
- > Power supplies

Features and benefits

Key features
> Right fit for digital output modules, motor or robot control, protected switching of decentralized loads like sensors or auxiliary supply
> Outstanding robustness and reliability as required by industrial mission profiles
> Thermally optimized products with low $R_{DS(on)}$ to deal with the high ambient temperatures in applications with limited or even no cooling
> Diagnosis and protection for safe system operation
> Small and compact design for higher integration and applications with space constraints

Key benefits
> Small system form factor
> No/little downtime of system in operation
> Low heating up of a system
> System cost saving by built-in protection and tailored featureset
> Reduced system maintenance efforts by providing optimized diagnostics

PLC – programmable logic controller digital output modules



PROFET™ as actuators typically address I/O modules supplying nominal currents of 2 A or 0.5 A. However, PROFET™ portfolio also provides devices for lower and higher currents. PROFET™ parts are suitable for switching resistive, capacitive and, by featuring high EAS, inductive loads.

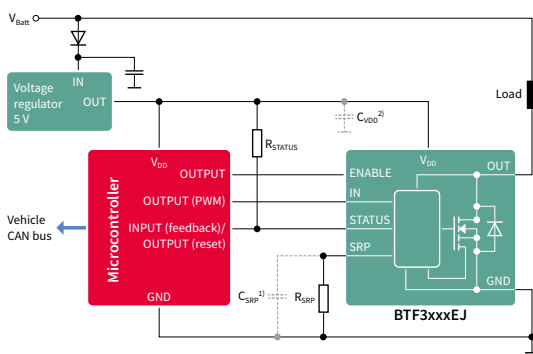
Corresponding PROFET™ evaluation boards are available on request.

HITFET™

Low-side smart protected switches

HITFET™ stands for highly-integrated temperature-protected MOSFET. These well-established low-side switches offer a compelling feature set with protection against overtemperature, short circuit and overload conditions as well as ESD robustness. The HITFET™ + family is the new generation based on new technology, enabling a significant shrink compared to the existing Classic HITFET™ portfolio (up to 50 percent shrink). This novel generation consists of standard and fully-featured protected low-side switches (11 to 125 mΩ) in the TO-252-3 DPAK/TO-252-5 DPAK and TDSO8 packages. Classic HITFET™ and HITFET™ + devices address a wide range of applications, including resistive, inductive and capacitive loads.

Application diagram example for HITFET™ +



1) C_{SRP}-GND < 100 pF – maximum permitted parasitic capacitance at the SRP-pin
2) Filter capacitor on supply, recommended 100 nF

Key applications

- > Industrial automation*
- > Programmable logic controller (PLC)**
- > Digital I/O modules
- > Building and home management
- > All kind of solenoid or valve driving
- > Power modules
- > Solar power inverters

Features and benefits

Key features
> Low-side switches with integrated protection features
> Scalable in R _{DS(on)} ranges from 800 mΩ down to 11 mΩ
> Adjustable slew rate control (BTFxxx and BTT30xxEJ)
> Thermal shutdown with auto restart or latch behavior
Status feedback via
> Increased input current (HITFET™ 2 nd gen.)
> Digital readout via SRP (BTF3050TE)
> Via status pin (BTF3xxxEJ)

Key benefits
> High design flexibility with scalable R _{DS(on)} and package
> Driving applications with high switching speed requirements up to 25 kHz (e.g. valve, solenoid)
> Easy to design-in
> Choice of packages to match individual application needs

Low-side switch shield with BTF3050TE for Arduino



Featured products: Three BTF3050TE low-side switches of the HITFET™ + family
Compatible with: Microcontroller boards using the Arduino form factor and the corresponding Infineon's kits with Arm® powered XMC™ microcontroller
Orderable part number: SHIELDBTF3050TETOBO1

Evaluation board based on BTT3050EJ



Featured products: One single-channel low-side switch of BTT3050EJ
Compatible with: Can be used as single stand and is also pin-compatible with microcontroller boards using the Arduino form factor (e.g. XMC1100 Boot Kit, Arduino Uno)
Orderable part number: BTT3050EJDEMOBOARDTOBO1

www.infineon.com/hitfet

www.infineon.com/shields-for-arduino

*See block diagram on page 278
 ** See block diagram on page 279

For more details on the product, click on the part number, visit infineon.com or contact our [product support](#).



ISOFACE™ product portfolio

ISOFACE™ output switches

Product overview		ISO1H801G	ISO1H811G	ISO1H812G	ISO1H815G	ISO1H816G	ISO2H823V
Switch	V _{bb} operational range: 11 V to 35 V	✓	✓	✓	✓	✓	✓
	Max. continuous load current per channel	0.6 A	0.6 A	0.6 A	1.2 A	1.2 A	0.6 A
	Load current increase by using outputs in parallel	✓	✓	✓	✓	✓	✓
	Inductive clamping energy per channel: 1 Joule	✓	✓	✓	✓	✓	150 mJ
Microcontroller interface	Type	Parallel	Parallel	Serial	Parallel	Serial	Serial/ Parallel
	Nominal voltages	5 V	3.3 V/5 V	3.3 V/5 V	3.3 V/5 V	3.3 V/5 V	3.3 V
Safety features	Isolation voltage: V _{ISO} = 500 VAC UL508 and EN 61131-2 certified	✓	✓	✓	✓	✓	2.5 kVAC
	Active current limitation	✓	✓	✓	✓	✓	✓
	Thermal shutdown	✓	✓	✓	✓	✓	✓
	Common output disable pin	✓	✓	✓	✓	✓	✓
Diagnostics feedback	Overtemperature		✓	✓	✓	✓	✓
	V _{bb} undervoltage		✓	✓	✓	✓	✓
Package DSO-36 (16x14 mm)		✓	✓	✓	✓	✓	VQFN-70
Ordering code		ISO1H801GAUMA1	ISO1H811GAUMA1	ISO1H812GAUMA1	ISO1H815GAUMA1	ISO1H816GAUMA1	ISO2H823V25XUMA1

ISOFACE™ digital input IC

Product overview		ISO1I811T	ISO1I813T
Input characteristics	IEC type: I, II, III	✓	✓
	Input status LED	✓	✓
	Max. sampling frequency	125 kHz	500 kHz
	Deglitching filter setting	Hard wired	Software, individual per channel
	Synchronous data acquisition	-	✓
µC interface	3.3 V/5 V	✓	✓
	Serial and parallel	✓	✓
Safety features	500 VAC isolation voltage	✓	✓
Diagnostic feedback	Wire break, channel-specific	-	✓
	V _{bb} undervoltage	✓	✓
Support for external V _{bb} supply		-	✓
Package TSSOP-48 (8x12.5 mm)		✓	✓
Ordering code		ISO1I811TXUMA1	ISO1I813TXUMA1



Industrial PROFET™ product portfolio

Load current Typical, per channel	1-channel	2-channel	4-channel	8-channel
7 A	ITS428L2 ● 7 A, 60 mΩ, TO-252-5			
3 A	ITS4060S-SJ-N, ISP772T 3.1 A, 60 mΩ DSO8			
2 A ... 3 A	ITS4100S-SJ-N, ISP762T 2.4 A, 100 mΩ, DSO8			
1 A ... 2 A	ITS4200S-ME-P, ITS4142N 1.4 A, 200 mΩ, SOT223 ISP752T 1.3 A, 200 mΩ, DSO8 ITS4200S-SJ-D, ISP752R ● 1.2 A, 200 mΩ, DSO8	ITS4040D-EP-D ● 2.6 A, 40 mΩ, TSDSO14 ITS5215L ● 2 A, 90 mΩ, DSO-12	ITS4075Q-EP-D ● 2.6 A, 75 mΩ, TSDSO14 ITS724G ● 2 A, 90 mΩ, DSO-20 ITS716G ● 1 A, 140 mΩ, DSO-20 ITS711L1 ● 1 A, 200 mΩ, DSO-20	ITS42008-SB-D, ITS4880R ● 0.6 A, 200 mΩ, DSO-36
0.5 A ... 1 A	ITS4200S-ME-N, ISP452 0.7 A, 200 mΩ, SOT223 ITS4200S-ME-O, ITS4141N 0.7 A, 200 mΩ, SOT223		ITS4090Q-EP-D ● 0.7 A, 90 mΩ, TSDSO14 ITS4130Q-EP-D ● 0.65 A, 130 mΩ, TSDSO14	
< 0.5 A	ITS4300S-SJ-D, ISP742RI ● 0.4 A, 300 mΩ, DSO8 ITS41K0S-ME-N, ITS4140N 0.2 A, 1Ω, SOT223	ITS42K5D-LD-F ● 0.25 A, 2.5Ω, TSON-10		

● = With diagnosis

Product	Number of channels	R _{DS(on)} (typ) [mΩ]	Nominal load current [A]	E _{AS} [mJ]	Recommended operating voltage range [V]	I _{L(SC)} (typ) [A]	Diagnosis	Package
ITS4060S-SJ-N	1	50	3.10	900 @ 1.50 A	5.00 ... 34.00	17.0	n/a	DSO8
ISP772T	1	50	2.60	900 @ 1.50 A	5.00 ... 34.00	17.0	n/a	DSO8
ITS428L2	1	60	7.00	190 @ 7.00 A	4.75 ... 41.00	22.0	Digital	TO252-5
ITS4100S-SJ-N	1	70	2.40	870 @ 1.00 A	5.00 ... 34.00	10.0	n/a	PG-DSO8
ISP762T	1	70	2.00	870 @ 1.00 A	5.00 ... 34.00	10.0	n/a	DSO8
ITS4200S-ME-O	1	150	1.10	700 @ 0.50 A	11.00 ... 45.00	1.4	n/a	SOT-223-4
ITS4141N	1	150	1.10	700 @ 0.50 A	12.00 ... 45.00	1.4	n/a	SOT-223-4
ITS4200S-ME-P	1	150	2.20	160 @ 1.00 A	11.00 ... 45.00	3.0	n/a	SOT-223-4
ITS4142N	1	150	2.20	160 @ 1.00 A	12.00 ... 45.00	3.0	n/a	SOT-223-4
ITS4200S-ME-N	1	160	1.20	500 @ 0.50 A	5.00 ... 34.00	1.5	n/a	DSO8
ISP452	1	160	1.20	500 @ 0.50 A	5.00 ... 34.00	1.5	n/a	SOT-223-4
ITS4200S-SJ-D	1	150	1.70	125 @ 1.00 A	6.00 ... 52.00	6.5	Digital	DSO8
ISP752R	1	200	1.70	125 @ 1.00 A	6.00 ... 52.00	6.5	Digital	DSO8
ISP752T	1	200	1.70	125 @ 1.00 A	6.00 ... 52.00	6.5	n/a	DSO8
ITS4300S-SJ-D	1	250	0.80	800 @ 0.30 A	5.00 ... 34.00	1.2	Digital	DSO8
ISP742RI	1	350	0.80	800 @ 0.30 A	5.00 ... 34.00	1.2	Digital, inverted	DSO8
ITS41K0S-ME-N	1	1000	0.55	1000 @ 0.15 A	4.90 ... 60.00	0.9	n/a	SOT-223-4
ITS4140N	1	1000	0.55	1000 @ 0.15 A	4.90 ... 60.00	0.9	n/a	SOT-223-4
ITS4040D-EP-D	2	40	2 x 2.00	185 @ 2 A	5.00 ... 45.00	4.1	Digital	TSDSO-14
ITS5215L	2	90	2 x 2.00	178 @ 3.50 A	5.50 ... 40.00	15.0	Digital	DSO-12
ITS42K5D-LD-F	2	2500	2 x 0.25	Freewheeling	4.50 ... 45.00	0.6	Digital	TSON-10
ITS4075Q-EP-D	4	75	4 x 2.00	60 @ 2 A	5.00 ... 45.00	4.1	Digital	TSDSO-14
ITS4090Q-EP-D	4	90	4 x 0.50	410 @ 0.5 A	5.00 ... 45.00	1.5	Digital	TSDSO-14
ITS724G	4	90	4 x 2.00	120 @ 3.30 A	5.50 ... 40.00	15.0	Digital	DSO-20
ITS4130Q-EP-D	4	130	4 x 0.50	380 @ 0.5 A	5.00 ... 45.00	1.25	Digital	TSDSO-14
ITS716G	4	140	4 x 1.00	76 @ 2.30 A	5.50 ... 40.00	9.0	Digital	DSO-20
ITS711L1	4	200	4 x 1.00	150 @ 1.90 A	5.00 ... 35.00	7.5	Digital	DSO-20
ITS42008-SB-D	8	200	8 x 0.60	10,000 @ 625 mA	11.00 ... 45.00	3.0	Digital	DSO-36
ITS4880R	8	200	8 x 0.60	10,000 @ 625 mA	11.00 ... 45.00	3.0	Digital	DSO-36



Evaluation board

- > ITS4040
- > ITS4075
- > ITS4090
- > ITS4130

www.infineon.com/industrial-profet

* Per one channel

For more details on the product, click on the part number, visit infineon.com or contact our [product support](#).



HITFET™ product portfolio

Product type	Product family	Channels	$R_{DS(on)}$ @ 25°C [mW]	Nominal load current [A]	EAS [mJ]	Operating voltage range [V]	$I_{L(lim)}$ (typ) [A]	$I_{L(lim), TRIGGER}$ (typ) [A]	Diagnosis	Package
BTS3011TE	HITFET™ +	1	10.7	10	300 @ 5 A	up to 28	35	70	Status pin	TO-252-5 (DPAK 5-leg)
BTT3018EJ	HITFET™ +	1	16	7.0	150	up to 36	45	-	Status pin	TDSO8
BTS3035EJ	HITFET™ +	1	28	5.00	105 @ 5 A	up to 31	20.00	-	Status pin	TDSO8
BTS3035TF	HITFET™ +	1	30	5.00	106 @ 5 A	up to 31	20.00	-	-	TO-252-3 (DPAK 3-leg)
BTF3035EJ	HITFET™ +	1	28	5.00	95 @ 5 A	up to 32	14.00	41.00	Status pin	TDSO8
BTF3050TE	HITFET™ +	1	40	3.00	120 @ 3 A	up to 28	8.00	30.00	Through SRP pin	TO-252-5 (DPAK 5-leg)
BTS3050EJ	HITFET™ +	1	40	4.00	62 @ 3 A	up to 31	15.00	-	Status pin	TDSO8
BTS3050TF	HITFET™ +	1	44	4.00	64 @ 4 A	up to 31	15.00	-	-	TO-252-3 (DPAK 3-leg)
BTF3050EJ	HITFET™ +	1	40	4.00	62 @ 4 A	up to 32	10.00	29.00	Status pin	TDSO8
BTS3060TF	HITFET™ +	1	50	3.00	55 @ 3 A	up to 35	10.50	-	-	TO-252-3 (DPAK 3-leg)
BTS3080EJ	HITFET™ +	1	64	3.00	35 @ 3 A	up to 31	10.00	-	Status pin	TDSO8
BTS3080TF	HITFET™ +	1	69	3.00	38 @ 3 A	up to 31	10.00	-	-	TO-252-3 (DPAK 3-leg)
BTF3080EJ	HITFET™ +	1	64	3.00	33 @ 3 A	up to 32	7.00	18.00	Status pin	TDSO8
BTS3125EJ	HITFET™ +	1	100	2.00	30 @ 2 A	up to 31	7.00	-	Status pin	TDSO8
BTS3125TF	HITFET™ +	1	108	2.00	24 @ 2 A	up to 31	7.00	-	-	TO-252-3 (DPAK 3-leg)
BTF3125EJ	HITFET™ +	1	100	2.00	23 @ 2 A	up to 32	5.00	12.00	Status pin	TDSO8
BTS3018TC	Classic HITFET™	1	14	6.00	1900	up to 36	30.00	-	Through input pin	TO-263-3-2 (TO-220-3 (SMD))
BTS141TC	Classic HITFET™	1	25	5.10	4000	up to 36	25.00	-	Through input pin	TO-263-3-2 (TO-220-3 (SMD))
BTS3028SDL	Classic HITFET™	1	28	5.00	350	up to 36	18.00	-	Through input pin	TO-252-3 (DPAK 3-leg)
BTS3028SDR	Classic HITFET™	1	28	5.00	350	up to 36	18.00	-	Through input pin	TO-252-3 (DPAK 3-leg)
BTS133TC	Classic HITFET™	1	40	3.80	2000	up to 36	21.00	-	Through input pin	TO-263-3-2 (TO-220-3 (SMD))
BTS3046SDL	Classic HITFET™	1	46	3.60	140	up to 36	10.00	-	Through input pin	TO-252-3 (DPAK 3-leg)
BTS3046SDR	Classic HITFET™	1	46	3.60	140	up to 36	10.00	-	Through input pin	TO-252-3 (DPAK 3-leg)
BTS117TC	Classic HITFET™	1	80	3.50	1000	up to 36	7.00	-	Through input pin	TO-263-3-2 (TO-220-3 (SMD))
BTS3104SDL	Classic HITFET™	1	104	2.00	50	up to 36	6.00	-	Through input pin	TO-252-3 (DPAK 3-leg)
BTS3104SDR	Classic HITFET™	1	104	2.00	50	up to 36	6.00	-	Through input pin	TO-252-3 (DPAK 3-leg)
BTS3408G	Classic HITFET™	2	480	0.55	800	up to 36	1.00	-	Through input pin	DSO8
BSP75N	Classic HITFET™	1	490	0.70	550	up to 36	1.00	-	Through input pin	SOT-223



CIPOS™ IPM product portfolio

MOSFET based CIPOS™ IPMs					
Product family	Voltage [V]	Configuration	$R_{DS(on),max}$ [Ω]	Package	Product name
CIPOS™ Nano	40	Half-bridge	0.005	QFN 7x8	IRSM005-800MH
	100	Half-bridge	0.021	QFN 7x8	IRSM005-301MH
	250	H-bridge	0.063	QFN 12x10	IM111-X3Q1B
		Half-bridge	0.15	QFN 8x9	IRSM808-204MH
		3-phase inverter	0.45 ~ 2.40	QFN 12x12	IRSM836-024MA/IRSM836-044MA IRSM836-084MA
	500	Half-bridge	0.80/1.70	QFN 8x9	IRSM808-105MH / IRSM807-045MH
		3-phase inverter	1.70 ~ 6.00	QFN 12x12	IRSM836-015MA/IRSM836-025MA/IRSM836-035MA IRSM836-045MA
	600	H-bridge	0.28	QFN 12x10	IM111-X6Q1B
CIPOS™ Mini	600	2/3-phase inverter	0.33	DIP 36x21	IM512-L6A/IM513-L6A
CIPOS™ Maxi	1200	3-phase inverter	0.055	DIP 36x23D	IM828-XCC

IGBT based CIPOS™ IPMs					
Product family	Voltage [V]	Configuration	Rated current [A]	Package	Product name
CIPOS™ Micro	600	3-phase inverter	2.0/4.0/6.0	DIP 29x12	IM241-S6T2B*/IM241-M6T2B*/IM241-L6T2B* IM241-S6T2J*/IM241-M6T2J*
			2.0/4.0/6.0	SOP 29x12	IM241-S6S1B*/IM241-M6S1B*/IM241-L6S1B IM241-S6S1J*/IM241-M6S1J*
CIPOS™ Tiny	600	3-phase inverter	6.0/10.0/15.0	DIP 33x19	IM323-L6G*/IM323-L6G2*
CIPOS™ Mini	600	PFC integrated	10.0~20.0	DIP 36x21D	IFCM10S60GD/IFCM10P60GD IFCM15S60GD/IFCM15P60GD IM564-X6D
		3-phase inverter	4.0 ~ 30.0	DIP 36x21	IGCM04F60GA/IGCM04G60GA/IGCM06F60GA/IGCM06G60GA IGCM10F60GA/IKCM10H60GA/IKCM10L60GA IGCM15F60GA/IKCM15L60GA/IKCM15F60GA/IKCM15H60GA IGCM20F60GA/IKCM20L60GA IKCM30F60GA IM523-S6A/IM523-M6A/IM523-L6A/IM523-X6A
			15.0 ~ 30.0	DIP 36x21D	IKCM15L60GD/IKCM20L60GD/IKCM30F60GD IM535-U6D
			Single boost PFC + inverter	10.0~20.0	DIP 36x21D
	650	3-phase interleaved PFC	20.0/30.0	DIP 36x21D	IFCM20T65GD/IFCM30T65GD
2-phase interleaved PFC		30.0	DIP 36x21D	IFCM30T65GD/IFCM30U65GD	
CIPOS™ Maxi	1200	3-phase inverter	5.0 ~ 15.0	DIP 36x23D	IM818-SCC/IM818-MCC/IM818-LCC

* Coming soon



Infineon support for intelligent switches and modules

Useful links and helpful information

Further information, datasheets and documents

www.infineon.com/isoface

www.infineon.com/hitfet

www.infineon.com/industrial-profet

www.infineon.com/shields-for-arduino





Microcontrollers

- › XMC™ microcontrollers
- › XMC™ ecosystem, enablement and partners
- › XMC™ digital power explorer kit
- › XMC™ starter kits
- › XMC™ peripherals
- › AURIX™ - 32-bit microcontrollers
- › AURIX™ TC2xx family system architecture
- › AURIX™ TC3xx family system architecture
- › AURIX™ starter and application kits
- › Application example: Industrial robotics
- › Microcontroller PDH partner
- › TRAVEO™ II portfolio
- › MOTIX™ Embedded Power ICs
- › BLDC Motor Control Shield for Arduino
- › CAN-FD transceivers

Dear users!

Our customers are at the heart of everything we do. Please give us feedback on how we can improve to meet your expectations with this document the best.



XMC™

One microcontroller platform – countless solutions

Infineon's XMC™ 32-bit industrial microcontroller portfolio is designed for efficiency and demanding industrial applications.

XMC™ MCU portfolio

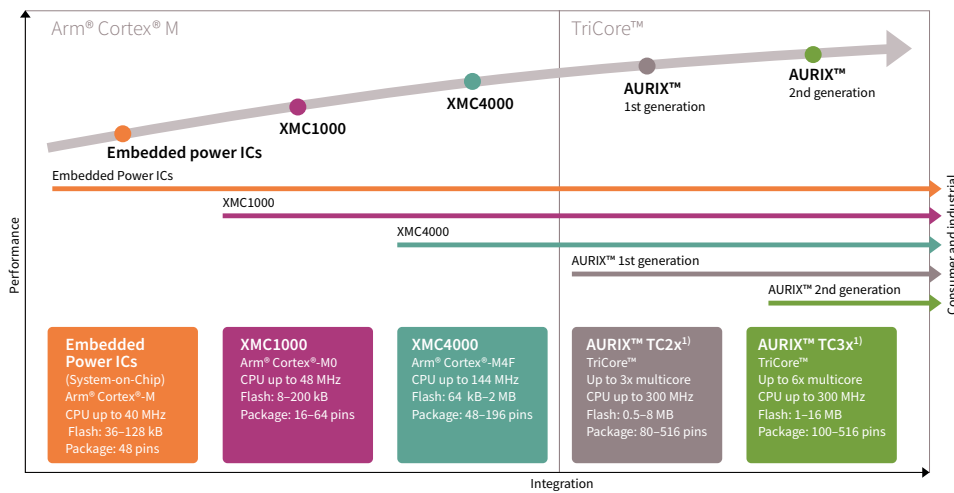
- > RAM: 8 kB up to 352 kB
- > Flash: 16 kB up to 2 MB
- > Accurate analog mixed-signal peripherals
- > Fast timer/PWM peripherals
- > Rich communication interfaces
- > 16-pin to 196-pin count packages

XMC1000 family

- > Arm® Cortex®-M0 up to 48 MHz
- > Peripherals up to 96 MHz
- > One-time event request unit (ERU)
- > V_{DD}: 1.8 to 5.5 V
- > T_{Ambient}: -40°C to 105°C

XMC4000 family

- > Arm® Cortex®-M4 up to 144 MHz
- > Built-in DSP, SFPU
- > Peripherals up to 144 MHz
- > Event request unit (ERU)
- > T_{Ambient}: -40°C to 125°C



1) AURIX™ devices add safety and CAN FD



<p>XMC4000</p> <p>Arm® Cortex®-M4F up to 144 MHz core 64 kB-2 MB Flash up to 125°C</p>	<p>XMC4100</p> <p>Basic control and connectivity VQFN-48 LQFP-64</p>	<p>XMC4200</p> <p>Server power 150 ps HRPWM LQFP-64/100</p>	<p>XMC4700/4800</p> <p>Industrial drives, Hall and encoder I/F, ΔΣ demodulator, LQFP-100/144 LFBGA-196</p>	<p>XMC4800, XMC4300</p> <p>EtherCAT, +drives MultiCAN - 6 nodes LQFP-100/144 LFBGA-196</p>
<p>XMC1000</p> <p>Arm® Cortex®-M0 up to 48 MHz core/ 96 MHz peripheral 8-200 KB flash up to 105°C 1.8-5.5 V</p>	<p>XMC1100</p> <p>Basic control and connectivity TSSOP-16/38 VQFN-24/40</p>	<p>XMC1400</p> <p>Flicker-free, 4-Ch LED, SMPS, connectivity VQFN-40/64 LQFP-64</p>	<p>XMC1400</p> <p>SMPS control, connectivity VQFN-40/64 LQFP-64</p>	<p>XMC1400</p> <p>Hall and encoder I/F, MATH co-processor, CAN VQFN-40/64 LQFP-64</p>
<p>XMC1100</p> <p>Basic control and connectivity TSSOP-16/38 VQFN-24/40</p>	<p>XMC1200, XMC1300</p> <p>Flicker-free, 4-Ch LED, SMPS, connectivity TSSOP-16/28/38 VQFN-24, -40</p>	<p>XMC1300</p> <p>SMPS control, connectivity, TSSOP-16/38 VQFN-24/40</p>	<p>XMC1300</p> <p>Hall and encoder I/F, MATH co-processor, TSSOP-16/38 VQFN-24/40</p>	<p>XMC1400</p> <p>Multi CAN - 2 nodes VQFN-48/64 LQFP-64</p>
XMC™ entry	LED lighting	Digital power	Motor control	Industrial I/O



XMC™ ecosystem, enablement and partners

A comprehensive set of tools, products, components, and services are available for fast and efficient design with XMC™ microcontrollers.

Infinite enablement for XMC™ MCUs

DAVE™ – www.infineon.com/dave

Professional and free-of-charge development platform

XMC™ library for Embedded Coder® – www.infineon.com/matlab

Model-based design from MATLAB® and Simulink® environment, download free of charge

IEC60730 class B library for XMC™ – www.infineon.com/iec60730

Available for XMC™ industrial microcontrollers free of charge

Microcontroller/Probe™ XMC™ – www.infineon.com/ucprobexmc

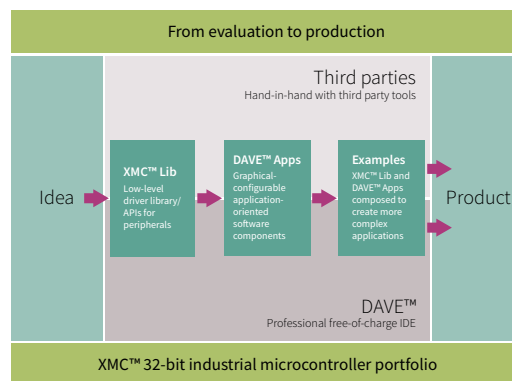
Free-of-charge version of microcontroller/Probe™ for XMC™ MCUs to build user interfaces for visualizing, observing, and control of the internals of XMC™ MCUs

XMC™ link – www.infineon.com/xmclink

Functional isolated debug probe, based on SEGGER J-Link technology

In addition to a rich third party ecosystem and enablement landscape, which support the entire development cycle from evaluation to production.

For more www.infineon.com/xmc-ecosystem



Infineon's XMC™ 32-bit industrial microcontroller portfolio is designed for system cost and efficiency for demanding industrial applications. It comes with the most advanced peripheral set in the industry. Fast and largely autonomous peripherals can be configured to support individual needs.

Highlights include analog mixed-signal, timer/PWM and communication peripherals powered by either an Arm® Cortex®-M0 core (XMC1000 family) or an Arm® Cortex®-M4 core with a floating point unit (XMC4000 family).

Arm® Cortex®-M0	Co-processor		Clocks		Memory		Analog			Timer/PWM				Connectivity		Package
	Frequency	Peripherals	ADC1 2-bit/S&H	Number of channels	Analog comparators	CCU4 (4 ch)	CCU8 (4 ch)	POSIF	BCCU	US IC	CAN 2.0B					
XMC11x	-	32	64	Flash RAM	8-64 kB 16 kB	1/1	Up to 12	-	1x	-	-	-	2x	-	VQFN 24/40 TSSOP 16/38	
XMC12x	-	32	64	Flash RAM	16-200 kB 16 kB	1/2	Up to 12	Up to 3	1x	-	-	✓	2x	-	VQFN 24/40 TSSOP 16/28/38	
XMC13x	✓	32	64	Flash RAM	8-200 kB 16 kB	1/2	Up to 12	Up to 3	1x	1x	✓	✓	2x	-	VQFN 24/40 TSSOP 16/38	
XMC14x	✓	48	96	Flash RAM	32-200 kB 16 kB	1/2	Up to 12	Up to 4	2x	2x	✓	✓	4x	✓	VQFN 40/48/64 LQFP 64	
Supply voltage range 1.8-5.5 V																
Temperature range -40°C ... 85°C/105°C																

Arm® Cortex®-M0	Frequency [MHz]	Memory		Analog			Timer/PWM					Connectivity						Package	
		ADC1 2-bit/S&H	Number of channels	DAC1 2-bit	CCU4 (4 ch)	CCU8 (4 ch)	HRPWM (150 ps)	POSIF	Σ Demodulator	US IC	CAN 2.0B	USB	Ethernet	EtherCAT®	SDIO/SD/MMC	External BUS Unit (EBU)			
XMC41x	80	Flash RAM	64-128 kB 20 kB	2/2	Up to 9	2 ch	2x	1x	✓	✓	-	4x	Up to 2	✓	-	-	-	-	VQFN 48 TQFP 64
XMC42x	80	Flash RAM	256 kB 40 kB	2/2	Up to 9	2 ch	2x	1x	✓	✓	-	4x	2x	✓	-	-	-	-	VQFN 48 TQFP 64
XMC43x	144	Flash RAM	256 kB 128 kB	2/2	14	2 ch	2x	1x	-	-	-	4x	2x	✓	✓	✓	✓	-	LQFP 100
XMC44x	120	Flash RAM	256-512 kB 80 kB	4/4	Up to 18	2 ch	4x	2x	✓	2x	4 ch	4x	2x	✓	✓	-	-	-	TQFP 64 LQFP 100
XMC45x	120	Flash RAM	512 kB-1 MB 128-160 kB	4/4	Up to 26	2 ch	4x	2x	-	2x	4 ch	4x	Up to 3	✓	✓	-	✓	✓	LQFP 100/144 LFBGA 144
XMC47x	144	Flash RAM	1.5-2 MB 276-352 kB	4/4	Up to 26	2 ch	4x	2x	-	2x	4 ch	6x	6x	✓	✓	-	✓	✓	LQFP 100/144 LFBGA 196
XMC48x	144	Flash RAM	1-2 MB 276-352 kB	4/4	Up to 26	2 ch	4x	2x	-	2x	4 ch	6x	6x	✓	✓	✓	✓	✓	LQFP 100/144 LFBGA 196
Supply voltage range 3.1-3.6 V																			
Temperature range -40°C ... 85°C/125°C																			

www.infineon.com/xmc
www.infineon.com/dave

For more details on the product, click on the part number, visit infineon.com or contact our [product support](#).





XMC™ digital power explorer kit

The new digital power explorer kit is designed with the particular goal of making it easy for engineers to take the first steps into digital power control with XMC™ microcontrollers. It showcases both XMC™ families Arm® Cortex-M microcontrollers: **XMC4000** and XMC1000, 30 V dual n-channel **OptiMOS™** MOSFETs and **IRS2011S** gate drivers. The kit includes two different control card options, **XMC1300** control card (Arm® Cortex®-M0) and XMC4200 control card (Arm® Cortex®-M4F), which allow designers to evaluate both XMC™ microcontroller families and make the right price/performance choice for their application.

Features and benefits

Key features
<ul style="list-style-type: none"> > Synchronous buck converter evaluation kit controlled with XMC4200 or XMC1300 Arm® Cortex®-M MCUs
<ul style="list-style-type: none"> > Onboard resistive load banks
<ul style="list-style-type: none"> > Featuring BSC0924NDI dual n-channel OptiMOS™ MOSFET and IRS2011S high- and low-side gate driver
Different control schemes possible <ul style="list-style-type: none"> > Voltage mode control > Peak current mode control (with slope compensation)

Key benefits
<ul style="list-style-type: none"> > Easy entry in digital power control applications
<ul style="list-style-type: none"> > Understand the details of voltage/peak current control and how to extract the maximum of XMC™ devices
<ul style="list-style-type: none"> > DAVE™ v4 APPs for buck converter and many more example




High power density 800 W 130 kHz platinum server design with XMC1300

The 800 W PFC CCM evaluation board demonstrates design and practical results of an 800 W 130 kHz platinum server PFC evaluation board based on Infineon devices, in terms of power semiconductors, non-isolated gate drivers, analog and digital controllers for the PFC converter, as well as flyback controller for the auxiliary supply. This evaluation board verifies the performance of the latest 600 V CoolMOS™ C7 superjunction MOSFET technology working at 130 kHz in a PFC CCM boost converter along with EiceDRIVER™ ICs and CoolSiC™ Schottky diode 650 V G5 using digital control.

Features and benefits

Key features	Customer benefits
<ul style="list-style-type: none"> > Classic PFC boost stage digitally controlled with XMC1302 including voltage and current loops > Protections, including cycle-by-cycle current protection > Run time debug with isolated UART to PC interface and PC software 	<ul style="list-style-type: none"> > High efficient PFC stage with a complete systemsolution from Infineon > HW and SW available > Higher switching frequency permits higher power density


800 W PFC CCM with XMC1300	Specification	Infineon components		
	V _{in}	90-265 V _{AC}	MCU	XMC1302 (TSSOP38)
	V _{out_nom}	380 V _{DC}	MOSFET	600 V CoolMOS™ C7
	I _{out}	2 A	MOSFET driver	EiceDRIVER™ 2EDN7524F non-isolated
	PWM frequency	130 kHz	Diode	CoolSiC™ Schottky diode 650 V G5
	THD	<10%	Auxiliary PSU	ICE2QR4780Z
	Power factor	>0.9 from 20% load		
	Efficiency	97% (peak)		

600 W half-bridge LLC evaluation board with 600 V CoolMOS™ C7 SJ MOSFET with digital control

The 600 W LLC digital control evaluation board shows how to design the half-bridge LLC stage of a server SMPS with the target to meet 80+ Titanium standard efficiency requirements. For this purpose, the latest CoolMOS™ technologies, 600 V CoolMOS™ C7 or P6 superjunction MOSFETs have been used on the primary side, and OptiMOS™ low-voltage power MOSFET in SuperSO8, BSC010N04LS, in the synchronous rectification secondary stage in combination with QR CoolSET™ ICE2QR2280Z, high- and low-side driver 2EDL05N06PF, low-side gate driver 2EDN7524F and a XMC4200 microcontroller.

Features and benefits

Key features	Customer benefits
600 W LLC half-bridge stage with synchronous rectification (SR) All controlled with XMC4200 including: <ul style="list-style-type: none"> > Start up (PWM to PFM) and burst-mode algorithms > Adaptive dead time and capacitive-mode detection > No hard commutation at any condition 	<ul style="list-style-type: none"> > Learn LLC topology with a complete system solution from Infineon > HW and- SW available > Close to customer solution > High efficiency → 97.8% > Reliability and power density

600 W LLC digital control	Specification	Infineon components		
	V _{in}	350-410 V _{DC}	MCU	XMC4200 (VQFN48)
	V _{out_nom}	12 V _{DC}	MOSFET SR	BSC010N04LS
	I _{out}	50 A	HB driver	2EDL05N06PF
	P _{out}	600 W	LLC HB MOSFET	CoolMOS™ IPP60R190P6
	f _{res}	157 kHz	Auxiliary PSU	ICE2QR2280Z




3 kW dual-phase LLC converter using XMC4400

The 3 kW dual-phase LLC demonstration board is an example of a high efficiency isolated DC-DC converter using the state-of-the-art Infineon components, both power devices and controller/driver ICs. The use of an advanced digital control using the XMC4400 microcontroller, together with the latest generation of CoolMOS™ and OptiMOS™ devices, allows achieving a very flat efficiency curve in the entire load range. The demonstration board is targeting the high voltage DC-DC stage of high-end telecom rectifiers.

Features and benefits

Key features	Customer benefits
<ul style="list-style-type: none"> > Full digital control by XMC4400 on the secondary side > Digital current sharing with phase shedding > Accurate algorithm able to prevent hard commutation and capacitive load mode in LLC operation 	<ul style="list-style-type: none"> > Full digital control by XMC4400 on the secondary side > Efficiency peak 98.5% and more than 97.2% in the entire load range > Easy monitoring and parameter setting via a graphic user interface

3 kW dual-phase LLC converter using XMC4400	Specification	Infineon components		
	V _{in}	350-410 V _{DC}	MCU	XMC4400 (LQFP64)
	V _{out_nom}	54.3 V _{DC}	SR MOSFET	OptiMOS™ BSC093N15NS5
	I _{out_max}	55 A	Drivers	1ED160N12AF 2EDN7524R
	P _{out}	3000 W	LLC Half-bridge MOSFET	CoolMOS™ P6 IPW60R041P6
	f _{range}	90-200 kHz	Auxiliary PSU	ICE2QR2280Z
	Peak efficiency	>98.4%		

RGB LED lighting shield with XMC1202 for Arduino

The RGB LED lighting shield with XMC1202 for Arduino uses a DC-DC buck topology and is able to drive up to three LED channels with constant current. The shield itself is powered by a programmable XMC™ 32-bit Arm® MCU with embedded brightness color control unit (BCCU, XMC1200 MCU series), for flicker-free LED dimming and color control.

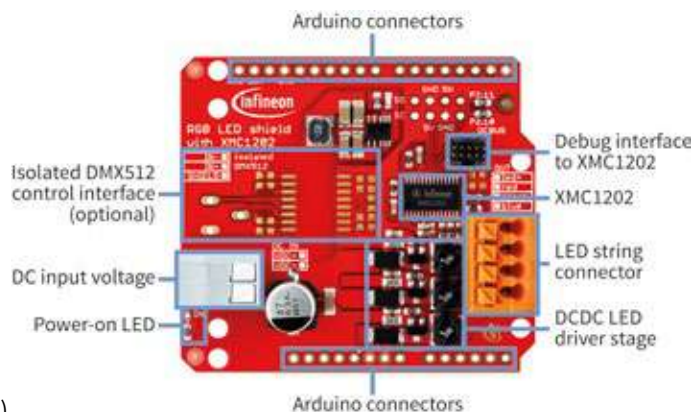
Features

- > Compatible with Arduino Uno R3 and XMC1100 boot kit from Infineon
- > Easily configurable for various light engines and any input voltage (within operating conditions)
- > Wide DC input voltage range
- > Simple I²C interface

Operating conditions

- > Nominal: 12-48 V input voltage (max. 6-60 V)
- > Average LED current up to 700 mA (max. peak current 1 A)

The Infineon shields mentioned above are hardware compatible with Arduino and Infineon's XMC™ boot and relax kits.



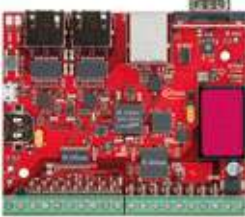
3 kW dual-phase LLC converter

XMC4800 automation board V2 – explore XMC4800 microcontroller based on Arm® Cortex®-M4

The XMC4800 automation board V2 uses Infineon’s industry leading XMC™ Arm® Cortex®-M4 microcontroller in combination with Infineon's supply, interface, communication and safety products. The XMC4800 automation board V2 is designed to evaluate the capabilities of the XMC4800 microcontroller especially in EtherCAT® slave applications and can be used with a wide range of development tools including Infineon’s free-of-charge Eclipse based IDE, DAVE™.

Features and benefits

Key features	Customer benefits
> XMC4800-E196 MCU based on Arm® Cortex®-M4 at 144 MHz	> Complete automation kit gateway
> EtherCAT® slave controller, 2 MB flash and 352 kB RAM	> Combined MCU with EtherCAT slave application
> OPTIGA™ Trust E embedded security solution (CC EAL6+)	> Isolated interfaces with diagnose
> Real time clock crystal	> Ethernet connectivity with software examples available
> SPI FRAM (64 kB non-volatile memory)	> 24 V supply
> EtherCAT® slave node (2 EtherCAT® PHY and RJ45 Jacks)	> CAN connectivity
> 24 V ISOFACE™ 8-channel inputs and 8-channel outputs CAN transceiver	> Full software DAVE™ examples
> CAN transceiver	

XMC4800 automation board V2	Type	Description	OPN
	KIT_XMC48_AUT_BASE_V2	The XMC4800 automation board V2 utilizes Infineon's industry leading XMC™ Arm® Cortex®-M4 microcontroller in combination with Infineon's supply, interface/communication and safety products	KITXMC48AUTBASEV2TOBO1
	XMC4800-E196K2048	Arm® Cortex®-M4 microcontroller	XMC4800E196K2048AAXQMA1
	ISO2H823V2.5	24 V 8-channel isolated output	ISO2H823V25XUMA1
	ISO1I813T	24 V 8-channel isolated input	ISO1I813TXUMA1
	SLS 32AIA020A4 USON10	OPTIGA™ Trust E – embedded security solution	SLS32AIA020A4USON10XTMA2
	TLE6250GV33	Infineon CAN transceiver	TLE6250GV33XUMA1
	IFX54441LDV	Infineon voltage regulator	IFX54441LDVXUMA1

XMC™ wireless power controller – enabling wireless charging transmitter applications

Infineon's XMC™ wireless power controller, based on the Arm® Cortex®-M0 core, provides a powerful and cost-effective platform for high performance, smart and safe wireless charging applications. The XMC™ wireless power controller helps the next-generation wireless charging systems to meet strict safety, environmental and regulatory requirements, while still enabling industry-leading charging performance and efficiency. This controller works seamlessly with Infineon's power devices in a scalable architecture to provide a complete charging solution for everything from a fast-charge smartphone, to a 20 W robot, or a 60 W drone and beyond.

Features and benefits

Key features	Customer benefits
› Supports inductive and resonant charging methods	› Supports 15 W charging and existing standards, including fast charging of smartphones
› Power levels up to 60 W	› Full power 15 W without exotic thermal management
› Multiple industry standard and custom charging profiles using the same hardware architecture	› Achieves charging rates equivalent to wired charging
› Single- and multi-coil transmitters	› Supports custom-charging profiles and industry standards on the same hardware
› Half- and full-bridge support	› Foreign object detection (FOD) with improved accuracy quality-factor monitoring
› Variable and fixed-frequency transmitter types	› Foreign object detection capability can be extended beyond existing standards to improve detection
› Buck and boost topologies	› Supports custom coils, and greater than three coils
› Integrated flash for parameter storage	
› Voltage supply 1.8-5.5 V	
› Space saving VQFN-40 package	

For a detailed overview of Infineon's wireless charging solutions, check the [Wireless charging](#) chapter.

XMC™ starter kits

Kits and evaluation boards

Xtreme2Go

Order number: [KIT_XMC_2GO_XTR_XMC1400](#)

- › [XMC1400](#) family kit with ADAFRUIT, MikroE and Shields2Go connectivity. Extension for IoT and other cloud applications.
- › The [XMC1400](#) series devices are optimized for motor control, power conversion and LED Lighting applications and Human-Machine Interface (HMI)

For more information on this product, please contact our product support.

Platform2Go [XMC4400](#)

Order number: [KIT_XMC_PLT_2GO_XMC4400](#)

- › Equipped with an Arm® Cortex®-M4 based XMC™ microcontroller, the [XMC4400](#) Platform2Go is designed to evaluate the capabilities of Infineon's [XMC4400](#) microcontroller. It can be used with a wide range of development tools including Infineon's free of charge Eclipse based IDE DAVE™
- › This kit has the [XMC4400](#) device with debugger plus Ethernet, CAN, Arduino, MikroBUS and Shields2Go form factor.

Click on the following to find/purchase the kit:

www.infineon.com/XMC4400platform2go



[XMC1400](#) Arduino

Order number: [KIT_XMC1400_ARDUINO](#)

- › This kit utilizes Infineon's industry leading Arm® Cortex® M0 microcontroller in combination with Arduino form factor.
- › It can be used with a wide range of development tools including Infineon's free of charge Eclipse based IDE, DAVE™ and much more.

Click on the following to find/purchase the kit:

www.infineon.com/xmc1400_ARDUINO



Platform2Go XMC4200

Order number: KIT_XMC_PLT_2GO_XMC_4200

- > Equipped with an Arm® Cortex®-M4 based XMC™ microcontroller from Infineon Technologies AG, the XMC4200 Platform2Go is designed to evaluate the capabilities of Infineon's XMC4200 microcontroller.
- > It can be used with a wide range of development tools including Infineon's free of charge Eclipse based IDE DAVE™
- > This kit has the XMC4200 device with debugger plus CAN, Arduino, MikroBUS and Shields2Go form factor.

Click on the following to find/purchase the kit:
www.infineon.com/XMC4200platform2go



RGB LED Lighting Shield

Order number: KIT_XMC_LED_DALI_20_RGB

- > One of the first intelligent evaluation boards compatible with Arduino as well as Infineon's XMC1100 BOOT KIT.
- > Designed to be easily configurable and combinable for different LED light engines and lamps, for fast prototyping and in-expensive evaluation of LED lighting applications.
- > The RGB LED lighting shield with XMC1302 uses a DC-DC buck topology.



Click on the following to find/purchase the kit:

www.infineon.com/cms/en/product/evaluation-boards/kit_xmc_led_dali_20_rgb/




XMC™ peripherals

IEC60730 class B library for XMC™

Supporting the XMC1xxx and XMC4xxx families



In collaboration with the consultancy Hitex, Infineon developed the IEC60730 – class B software library for XMC™ industrial microcontrollers for household electrical appliances. This is a dedicated software library for XMC™ MCUs with routines for internal supervisory functions and for self-diagnostics.

Extended documentation and pre-certified software libraries to XMC™ Cortex® Arm® based controllers are free of charge. For more information, please check: www.hitex.com/classb

Documentation	Consultancy
<ul style="list-style-type: none"> › Safety application note › Failure mode report › FMEDA tool <p>by Infineon, revised in workshops by TÜV Süd</p>	 <p>EMBEDDED TOOLS & SOLUTIONS</p> <p>Implementation support by Hitex</p>

Embedded security for XMC™ MCUs

Infineon and its partners provide solutions which support with data protection, allowing authentication and encryption and securing firmware file updates to prevent cloning and downtimes.

Security solutions	
Software	Hardware
Secure bootloader by Infineon, XMC1000	<p style="text-align: center;">OPTIGA™ family by Infineon Hardware-based security solutions</p> <div style="display: flex; justify-content: space-around;"> <div style="text-align: center;"> <p>OPTIGA™ Trust family</p>  <p>Turnkey and programmable security solutions</p> </div> <div style="text-align: center;"> <p>OPTIGA™ TPM family</p>  <p>Standardized certified turnkey solution</p> </div> </div>
CodeMeter μEmbedded by WIBU, XMC4000 exclusive	
KMS/CycurKEYS by ESCRYPT, XMC4000	
emSecure by SEGGER	





AURIX™ – 32-bit microcontrollers

32-bit multicore TriCore™ – safety joins performance

AURIX™ is Infineon’s family of microcontrollers serving the needs of industrial applications in terms of performance and safety. Its innovative multicore architecture, based on up to six independent 32-bit TriCore™ CPUs at 300 MHz, has been designed to meet the highest safety standards while increasing the performance at the same time. Using the AURIX™ scalable platform, developers will be able to implement applications such as motor control and drives, PLC or any other automation application. Developments using AURIX™ require less effort to achieve the SIL/ IEC61508 standard based on its innovative safety concept and multiple HW safety features. Furthermore, AURIX™ has enhanced communication capabilities to support communication between CAN, LIN, FlexRay and Ethernet buses.

Features and benefits

Key features
› TriCore™ with DSP functionality
› Best-in-class real-time performance: up to six TriCore™ with up to 300 MHz per core
› Supporting floating point and fix point with all cores
› Up to 6.9 MB of internal RAM, up to 16 MB of flash
› Innovative single supply 5 V or 3.3 V
› IEC61508 conformance to support safety requirements up to SIL 3
› Embedded EEPROM
› Advanced communication peripherals: CAN FD, LIN, SPI, FlexRay, Ethernet

Customer benefits
› High scalability gives the best cost-performance fit
› High integration leads to significant cost savings
› High integration leads to reduced complexity
› Innovative supply concept leads to best-in-class power consumption



www.infineon.com/aurix

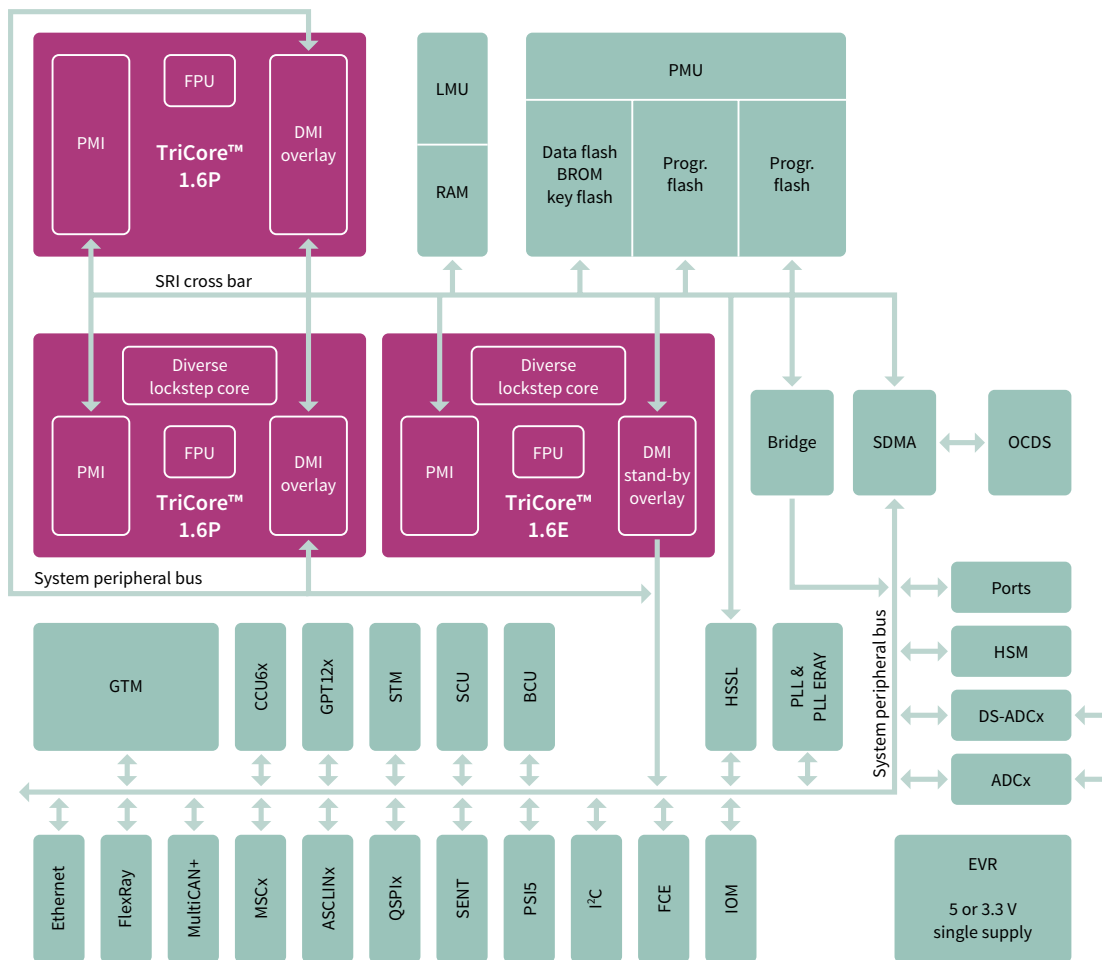
For more details on the product, click on the part number, visit infineon.com or contact our [product support](#).



Solutions and Applications
 20-300 V MOSFETs
 500-950 V MOSFETs
 Gate-driver ICs
 Digital isolators
 IGBT discretes and silicon power diodes
 Intelligent power switches and modules
 Microcontrollers
 Power management ICs
 WBG semiconductors
 Sensors
 Packages

AURIX™ TC2xx family system architecture

Powerful 1st generation AURIX™ TC2xx system architecture



AURIX™ TC2xx family package scalability

9x series up to 8 MB					TC297 300 MHz	TC298 300 MHz	TC299 300 MHz
7x series up to 4 MB					TC275 200 MHz	TC277 200 MHz	
6x series up to 2.5 MB			TC264 200 MHz		TC265 200 MHz	TC267 200 MHz	
3x series up to 2 MB		TC233 200 MHz	TC234 200 MHz		TC237 200 MHz		
2x series up to 1 MB	TC222 133 MHz	TC223 133 MHz	TC224 133 MHz				
1x series up to 512 KB	TC212 133 MHz	TC213 133 MHz	TC214 133 MHz				
Flash Package	TQFP-80	TQFP-100	LQFP-144 TQFP-144	LQFP-176	LFBGA-292	BGA-416	LFBGA-516

↕ Upgrade/downgrade with pin-compatible packages

www.infineon.com/aurix

AURIX™ TC2xx portfolio

Product type	Max. clock frequency [MHz]	Program memory [kB]	SRAM (incl. cache) [kB]	Co-processor ¹⁾	Cores/lockstep	Timed I/O	Number of ADC channels	External bus interface	CAN nodes	Communication interfaces ²⁾	Temperature ranges ³⁾	Packages	Additional features/remarks ⁴⁾
TC299TX	300	8000	2728	FPU	3/1	263	84/10 DS	yes	6	4xASCLIN, 6xQSPI, 3xMSC, 2xI2C, 15xSENT, HSSL, 5xPSI5, 2xFlexRay, Ethernet, CAN FD	K	LFBGA-516	EVR, STBU, HSM
TC299TP	300	8000	728	FPU	3/1	263	84/10 DS	yes	6	4xASCLIN, 6xQSPI, 3xMSC, 2xI2C, 15xSENT, HSSL, 5xPSI5, 2xFlexRay, Ethernet, CAN FD	K	LFBGA-516	EVR, STBU, HSM
TC298TP	300	8000	728	FPU	3/1	232	60/10 DS	yes	6	4xASCLIN, 6xQSPI, 3xMSC, 2xI2C, 15xSENT, HSSL, 5xPSI5, 2xFlexRay, Ethernet, CAN FD	K	LFBGA-416	EVR, STBU, HSM
TC297TA	300	8000	2728	FPU, FFT, CIF	3/1	169	60/10 DS	no	6	4xASCLIN, 4xQSPI, 3xMSC, 2xI2C, 15xSENT, HSSL, 5xPSI5, 2xFlexRay, Ethernet, CAN FD	K	LFBGA-292	EVR, STBU, HSM
TC297TX	300	8000	2728	FPU	3/1	263	60/10 DS	no	6	4xASCLIN, 4xQSPI, 3xMSC, 2xI2C, 15xSENT, HSSL, 5xPSI5, 2xFlexRay, Ethernet, CAN FD	K	LFBGA-292	EVR, STBU, HSM
TC297TP	300	8000	728	FPU	3/1	169	60/10 DS	no	6	4xASCLIN, 4xQSPI, 3xMSC, 2xI2C, 15xSENT, HSSL, 5xPSI5, 2xFlexRay, Ethernet, CAN FD	K	LFBGA-292	EVR, STBU, HSM
TC277TP	200	4000	472	FPU	3/2	169	60/6 DS	no	4	4xASCLIN, 4xQSPI, 2xMSC, HSSL, 2xI2C, 10xSENT, 3xPSI5, FlexRay, Ethernet, CAN FD	K	LFBGA-292	EVR, WUT, HSM
TC275TP	200	4000	472	FPU	3/2	112	60/6 DS	no	4	4xASCLIN, 4xQSPI, 2xMSC, HSSL, 2xI2C, 10xSENT, 3xPSI5, FlexRay, Ethernet, CAN FD	K	LQFP-176	EVR, WUT, HSM
TC267D	200	2500	240	FPU	2/1	169	50/3 DS	no	5	4xASCLIN, 4xQSPI, 2xMSC, 2xI2C, 10xSENT, 3xPSI5, HSSL, FlexRay, Ethernet, CAN FD	K	LFBGA-292	EVR, STBU
TC265D	200	2500	240	FPU	2/1	112	50/3 DS	no	5	4xASCLIN, 4xQSPI, 2xMSC, 2xI2C, 10xSENT, HSSL, 3xPSI5, FlexRay, Ethernet, CAN FD	K	LQFP-176	EVR, STBU
TC264DA	200	2500	752	FPU, FFT, CIF	2/1	88	40/3 DS	no	5	4xASCLIN, 4xQSPI, 2xMSC, 2xI2C, 10xSENT, HSSL, 3xPSI5, FlexRay, Ethernet, CAN FD	K	LQFP-144	EVR, STBU
TC264D	200	2500	240	FPU	2/1	88	40/3 DS	no	5	4xASCLIN, 4xQSPI, 2xMSC, 2xI2C, 10xSENT, HSSL, 3xPSI5, FlexRay, Ethernet, CAN FD	K	LQFP-144	EVR, STBU
TC237LP	200	2000	192	FPU	1/1	120	24	no	6	2xASCLIN, 4xQSPI, 4xSENT, FlexRay, CAN FD	K	LFBGA-292	EVR, WUT, HSM
TC234LA	200	2000	704	FPU, FFT	1/1	120	24	no	6	2xASCLIN, 4xQSPI, 4xSENT, FlexRay, Ethernet	K	TQFP-144	EVR, WUT, HSM
TC234LX	200	2000	704	FPU	1/1	120	24	no	6	2xASCLIN, 4xQSPI, 4xSENT, FlexRay, Ethernet	K	TQFP-144	EVR, WUT, HSM
TC234LP	200	2000	192	FPU	1/1	120	24	no	6	2xASCLIN, 4xQSPI, 4xSENT, FlexRay, CAN FD	K	TQFP-144	EVR, WUT, HSM
TC233LP	200	2000	192	FPU	1/1	78	24	no	6	2xASCLIN, 4xQSPI, 4xSENT, FlexRay, CAN FD	K	TQFP-100	EVR, WUT, HSM
TC224L	133	1000	96	FPU	1/1	120	24	no	3	2xASCLIN, 4xQSPI, 4xSENT, CAN FD	K	TQFP-144	EVR, WUT
TC223L	133	1000	96	FPU	1/1	78	24	no	3	2xASCLIN, 4xQSPI, 4xSENT, CAN FD	K	TQFP-100	EVR, WUT
TC222L	133	1000	96	FPU	1/1	59	24	no	3	2xASCLIN, 4xQSPI, 4xSENT, CAN FD	K	TQFP-80	EVR, WUT
TC214L	133	500	96	FPU	1/1	120	14	no	3	2xASCLIN, 4xQSPI, 4xSENT, CAN FD	K	TQFP-144	EVR, WUT
TC213L	133	500	96	FPU	1/1	78	24	no	3	2xASCLIN, 4xQSPI, 4xSENT, CAN FD	K	TQFP-100	EVR, WUT
TC212L	133	500	96	FPU	1/1	59	24	no	3	2xASCLIN, 4xQSPI, 4xSENT, CAN FD	K	TQFP-80	EVR, WUT

¹⁾ CIF = camera and external ADC Interface, FFT = fast fourier transform accelerator, FPU = floating point unit, PCP = peripheral control processor

²⁾ ASC = asynchronous serial channel, ASCLIN = asyn/synchronous local interconnect network, HSSL = high-speed serial link, I²C = inter-integrated circuit, LIN = local interconnect network, MLI = micro link interface, MSC = micro second channel, PSI5 = peripheral sensor interface 5, QSPI = queued serial peripheral interface, SENT = single edge nibble transmission, SSC = synchronous serial channel, CAN FD ISO11898-1:2015

³⁾ Ambient temperature range: A = -40°C ... 140°C, B = 0°C ... 70°C, F = -40°C ... 85°C, H = -40°C ... 110°C, K = -40°C ... 125°C, L = -40°C ... 150°C, X = -40°C ... 105°C

⁴⁾ EVR = embedded voltage regulator, HSM = hardware security module, STBU = stand-by control unit, WUT = wake-up timer

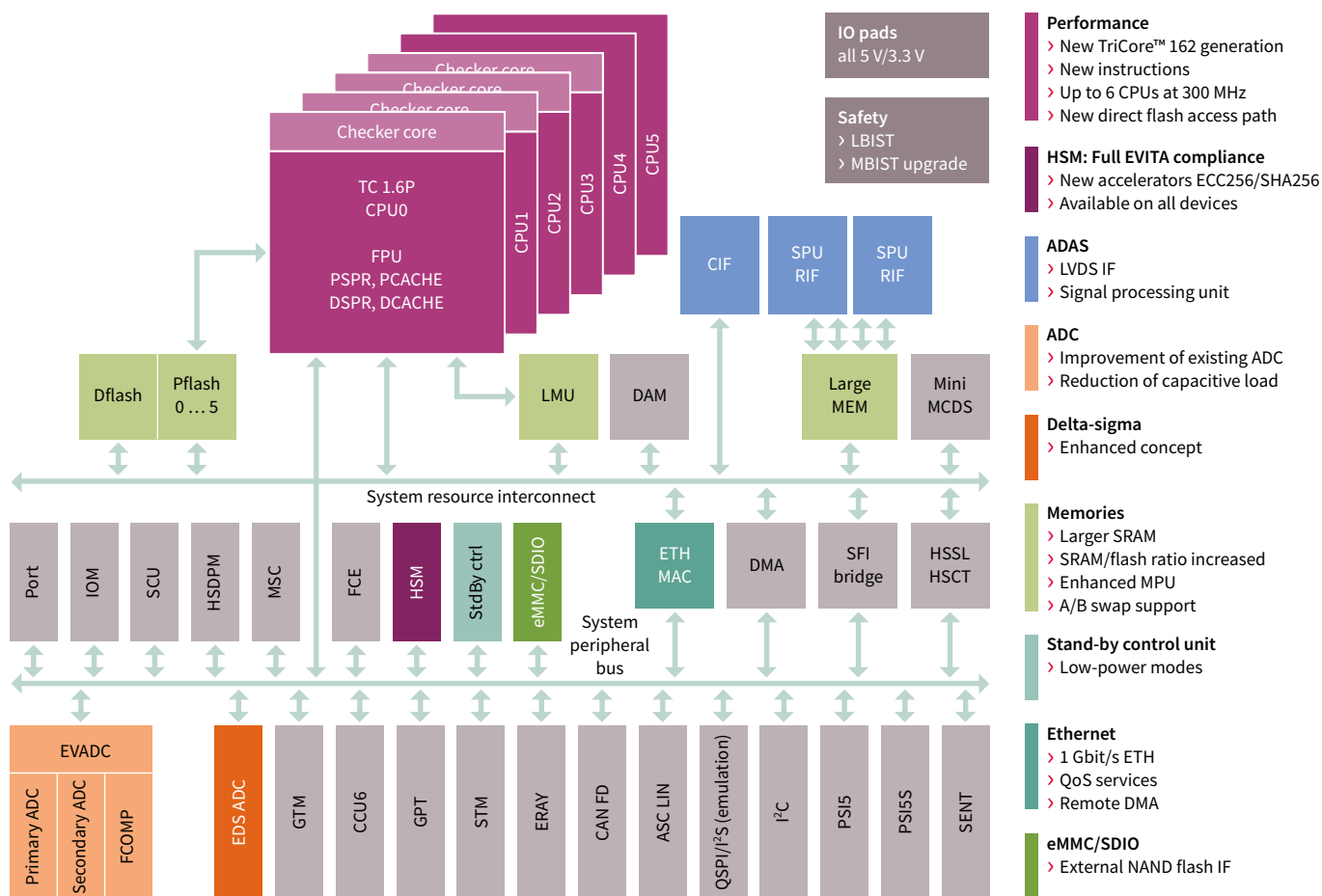
Evolution from TC2xx to TC3xx - Easy migration with focus on reuse

- › Fast conversion of existing AURIX™ TC2xx designs
 - Backwards compatibility
 - High AURIX™ TC3xx compatibility to pinout of existing QFP100/144/176 and BGA packages
- › Flexibility - scalability within the AURIX™ TC3xx family
 - Up-/Downgrade paths for devices in identical packages
 - Compatible pin-out of QFP/BGA package options enabling combination designs
- › Pin-to-pin compatibility between the devices of AURIX™ TC2xx/TC3xx and from generation to generation
- › A high scalability with a very large portfolio for both AURIX™ TC2xx and TC3xx

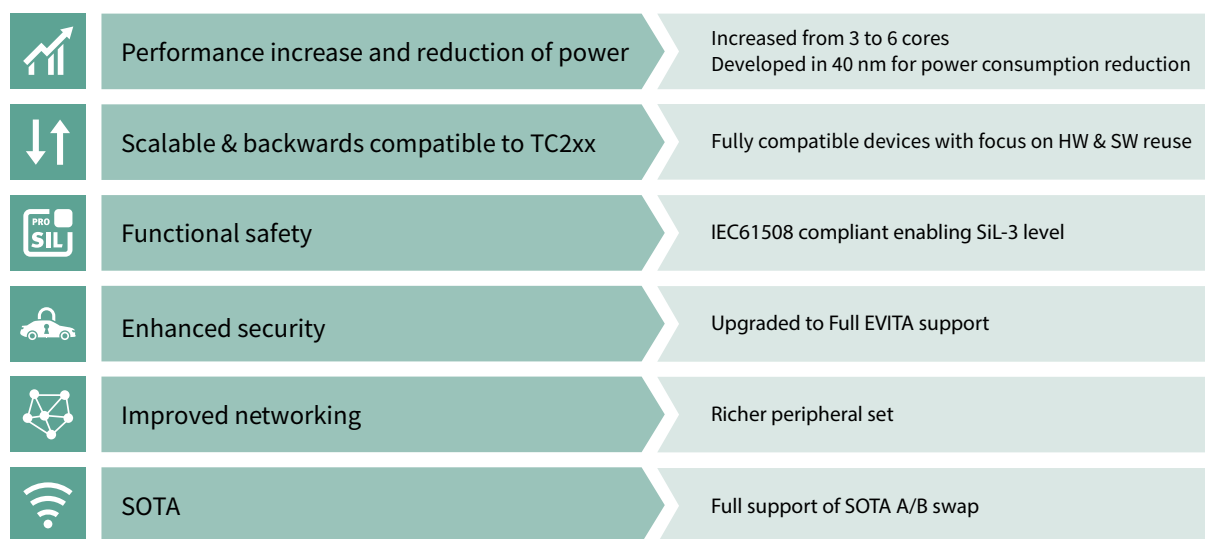


AURIX™ TC3xx family system architecture

AURIX™ TC3xx – scalable family - from low-cost to high-performance applications



AURIX™ TC3xx provides an upgrade on key parameters with focus on SW and HW reuse



AURIX™ TC3xx package scalability

6x 300 MHz	9x A series 16 MB							TC397XA 300 MHz	
6x 300 MHz	9x series 16 MB							TC397X 300 MHz	TC399x 300 MHz
4x 300 MHz	Ex series 12 MB							TC387Qx 300 MHz	
4x 300 MHz	8x series 10 MB							TC387Q 300 MHz	TC389Q 300 MHz
3x 300 MHz	7x X series 6 MB							TC377TX 300 MHz	
3x 300 MHz	7x series 6 MB					TC375T 300 MHz		TC377T 300 MHz	
2x 300 MHz	6x series 4 MB			TC364D 300 MHz	TC366D 300 MHz	TC365D 300 MHz		TC367D 300 MHz	
4x 300 MHz	Ax series 4 MB						TC3A8Q 300 MHz	TC3A7Q 300 MHz	
3x 300 MHz	5x A series 4 MB				TC356TA 300 MHz			TC357TA 300 MHz	
2x 300 MHz	3x A series 2 MB				TC336DA ¹⁾ 200 MHz			TC337DA ¹⁾ 200 MHz	
1x 300 MHz	3x series 2 MB	TC332L ¹⁾ 200 MHz	TC333L ¹⁾ 200 MHz	TC334L ¹⁾ 200 MHz	TC336L ¹⁾ 200 MHz			TC337L ¹⁾ 200 MHz	
1x 300 MHz	2x series 1 MB	TC322L 160 MHz	TC323L 160 MHz	TC324L 160 MHz				TC327L 160 MHz	
Flash	Package	TQFP-80	TQFP-100	T/LQFP-144	BGA-180	LQFP-176	BGA-233	LFBGA-292	LFBGA-516

L – Single lockstep core D – Dual core T – Triple core Q – Quadruple core X – Sextuple core
 1) An option of 300 MHz is also available

Control and actuate Sense and compute


- › Advanced package technologies deliver the best price/performance ratio
- › Customers can choose between different devices in the same pin-compatible package

MCU scalability

- › Performance and flash
- › Pin compatibility
- › Binary-compatible cores

Safety/security concept

- › ISO 26262 compliance
- › IEC61508 compliant



AURIX™ TC3xx

Power consumption

- › On-chip SC DC-DC high-efficiency power supply
- › Integrated standby controller

Connectivity

- › Ethernet: up to 2x1 GB
- › CAN FD: up to 12 channels
- › eMMC IF

AURIX™ TC3xx portfolio

Product type	Cores/lockstep	Max clock frequency [MHz]	Program memory [kB]	SRAM (incl. cache) [kB]	Radar accelerator/ radar interface ¹⁾	CAN/CAN FD nodes	Ethernet 100/1000 Mbit	External bus interface ²⁾	Communication interfaces	HSM	Temperature ranges	Packages	Additional features/ remarks ³⁾
AURIX™ TC3xx family													
TC399XX	6/4	300	16000	6912	no	12	1	EBU, eMMC, 2x HSSL	6x SPI, 2x FlexRay, 12x LIN, 25x SENT, 4x PSi5, 2x I2C, 4x MSC	EVITA full	K, L	LFBGA-516	5 V/3.3 V EVR, 8-bit SCR
TC399XP	6/4	300	16000	2816	no	12	1	EBU, eMMC, 2x HSSL	6x SPI, 2x FlexRay, 12x LIN, 25x SENT, 4x PSi5, 2x I2C, 4x MSC	EVITA full	K, L	LFBGA-516	5 V/3.3 V EVR, 8-bit SCR
TC397XX	6/4	300	16000	6912	no	12	1	eMMC, 2x HSSL	6x SPI, 2x FlexRay, 12x LIN, 25x SENT, 4x PSi5, 2x I2C, 4x MSC	EVITA full	K, L	LFBGA-292	5 V/3.3 V EVR, 8-bit SCR
TC397XP	6/4	300	16000	2816	no	12	1	eMMC, 2x HSSL	6x SPI, 2x FlexRay, 12x LIN, 25x SENT, 4x PSi5, 2x I2C, 4x MSC	EVITA full	K, L	LFBGA-292	5 V/3.3 V EVR, 8-bit SCR
TC397XA	6/4	300	16000	6912	2x SPU/ 8x 400 Mbit/s LVDS	12	1	2x HSSL	6x SPI, 2x FlexRay, 12x LIN, 25x SENT, 4x PSi5, 2x I2C, 4x MSC	EVITA full	K, L	LFBGA-292	5 V/3.3 V EVR, 8-bit SCR
TC389QP	4/2	300	10000	1568	no	12	1	HSSL	5x SPI, 2x FlexRay, 24x LIN, 25x SENT, 4x PSi5, 2x I2C, 3x MSC	EVITA full	K, L	LFBGA-516	5 V/3.3 V EVR, 8-bit SCR
TC387QP	4/2	300	10000	1568	no	12	1	HSSL	5x SPI, 2x FlexRay, 24x LIN, 25x SENT, 4x PSi5, 2x I2C, 3x MSC	EVITA full	K, L	LFBGA-292	5 V/3.3 V EVR, 8-bit SCR
TC377TX	3/3	300	6000	4208	no	12	2	eMMC, HSSL	5x SPI, 1x FlexRay, 12x LIN, 15x SENT, 2x PSi5, 1x I2C, 2x MSC	EVITA full	K, L	LFBGA-292	5 V/3.3 V EVR, 8-bit SCR
TC377TP	3/2	300	6000	1136	no	8	1	HSSL	5x SPI, 1x FlexRay, 12x LIN, 15x SENT, 2x PSi5, 1x I2C, 2x MSC	EVITA full	K, L	LFBGA-292	5 V/3.3 V EVR, 8-bit SCR
TC375TP	3/2	300	6000	1136	no	8	1	HSSL	5x SPI, 1x FlexRay, 12x LIN, 15x SENT, 2x PSi5, 1x I2C, 2x MSC	EVITA full	K, L	LQFP-176	5 V/3.3 V EVR, 8-bit SCR
TC367DP	2/2	300	4000	672	no	8	1	HSSL	4x SPI, 1x FlexRay, 12x LIN, 10x SENT, 2x PSi5, 1x I2C, 1x MSC	EVITA full	K, L	LFBGA-292	5 V/3.3 V EVR, 8-bit SCR
TC366DP	2/2	300	4000	672	no	8	1	HSSL	4x SPI, 1x FlexRay, 12x LIN, 10x SENT, 2x PSi5, 1x I2C, 1x MSC	EVITA full	K, L	LFBGA-196	5 V/3.3 V EVR, 8-bit SCR
TC365DP	2/2	300	4000	672	no	8	1	HSSL	4x SPI, 1x FlexRay, 12x LIN, 10x SENT, 2x PSi5, 1x I2C, 1x MSC	EVITA full	K, L	LQFP-176	5 V/3.3 V EVR, 8-bit SCR
TC364DP	2/2	300	4000	672	no	8	1	HSSL	4x SPI, 1x FlexRay, 12x LIN, 10x SENT, 2x PSi5, 1x I2C, 1x MSC	EVITA full	K, L	TQFP-144	5 V/3.3 V EVR, 8-bit SCR
TC364DP	2/2	300	4000	672	no	8	1	HSSL	4x SPI, 1x FlexRay, 12x LIN, 10x SENT, 2x PSi5, 1x I2C, 1x MSC	EVITA full	K, L	LQFP-144	5 V/3.3 V EVR, 8-bit SCR
TC357TA	3/2	300	4000	3664	2x SPU/ 8x 400 Mbit/s LVDS	8	1	no	4x SPI, 1x FlexRay, 4x LIN	EVITA full	K, L	LFBGA-292	5 V/3.3 V EVR, 8-bit SCR
TC356TA	3/2	300	4000	3664	2x SPU/ 8x 400 Mbit/s LVDS	8	1	no	4x SPI, 1x FlexRay, 4x LIN	EVITA full	K, L	LFBGA-196	5 V/3.3 V EVR, 8-bit SCR
TC337DA	2/1	200	2000	1568	1x SPU/ 4x 400 Mbit/s LVDS	8	1	eMMC	4x SPI, 1x FlexRay, 12x LIN, 6x SENT	EVITA full	K, L	LFBGA-292	5 V/3.3 V EVR, 8-bit SCR
TC336DA	2/1	200	2000	1568	1x SPU/ 4x 400 Mbit/s LVDS	8	1	eMMC	4x SPI, 1x FlexRay, 12x LIN, 6x SENT	EVITA full	K, L	LFBGA-196	5 V/3.3 V EVR, 8-bit SCR
TC337LP	1/1	200	2000	248	no	8	no	no	4x SPI, 1x FlexRay, 12x LIN, 6x SENT	EVITA full	K, L	LFBGA-292	5 V/3.3 V EVR, 8-bit SCR
TC336LP	1/1	200	2000	248	no	8	no	no	4x SPI, 1x FlexRay, 12x LIN, 6x SENT	EVITA full	K, L	LFBGA-196	5 V/3.3 V EVR, 8-bit SCR
TC334LP	1/1	200	2000	248	no	8	no	no	4x SPI, 1x FlexRay, 12x LIN, 6x SENT	EVITA full	K, L	TQFP-144	5 V/3.3 V EVR, 8-bit SCR
TC333LP	1/1	200	2000	248	no	8	no	no	4x SPI, 1x FlexRay, 12x LIN, 6x SENT	EVITA full	K, L	TQFP-100	5 V/3.3 V EVR, 8-bit SCR
TC332LP	1/1	200	2000	248	no	8	no	no	4x SPI, 1x FlexRay, 12x LIN, 6x SENT	EVITA full	K, L	TQFP-80	5 V/3.3 V EVR, 8-bit SCR
TC327LP	1/1	160	1000	96	no	8	no	no	4x SPI, 6x SENT, 6x LIN	EVITA full	K, L	LFBGA-292	5 V/3.3 V EVR, 8-bit SCR
TC324LP	1/1	160	1000	96	no	8	no	no	4x SPI, 6x SENT, 6x LIN	EVITA full	K, L	TQFP-144	5 V/3.3 V EVR, 8-bit SCR
TC323LP	1/1	160	1000	96	no	8	no	no	4x SPI, 6x SENT, 6x LIN	EVITA full	K, L	TQFP-100	5 V/3.3 V EVR, 8-bit SCR
TC322LP	1/1	160	1000	96	no	8	no	no	4x SPI, 6x SENT, 6x LIN	EVITA full	K, L	TQFP-80	5 V/3.3 V EVR, 8-bit SCR

1) SPU – Signal processing unit
 2) HSSL – High-speed serial link
 3) 8-bit SCR – Standby controller for low power modes
 4) EVR – Embedded voltage regulator

AURIX™ starter and application kits

Infineon starter kits – 32-bit microcontrollers

AURIX™ Triboards Kits

- › Full evaluation board for development to write and debug your 1st programs
- › Includes getting started advice, free TriCore™ entry tool chain, technical documentation, compiler and debugger
- › TriBoard available for all productive silicon

www.infineon.com/aurix-kits



AURIX™ TFT Kits

- › Low cost board for early evaluation with limited access to signals
- › Additional touchscreen display for convenient handling
- › TFT board available for every silicon

Click on the following to find/purchase the kit:

www.infineon.com/aurix-kits



Arduino AURIX™ TC275 ShieldBuddy Kit

- › The Hitex TC275/TC375 ShieldBuddy follows the Arduino standard
- › Compatible with 100's of Arduino application shields
- › Evaluation licenses available
- › Ideal for getting started on a high-end real time embedded industrial or automotive application as well as students and hobbyists

www.infineon.com/aurixlowcostarduinokits



Arduino AURIX™ TC375 ShieldBuddy Kit

Order number: [KIT_A2G_TC375_ARD_SB](#)

- › Compatible with 100's of Arduino application shields
- › Evaluation licenses available
- › Ethernet
- › Ideal for getting started on a high-end real time embedded industrial or automotive application as well as students and hobbyists

www.infineon.com/aurixlowcostarduinokits



AURIX™ TC275 Lite kit

- > AURIX™ TC275 device in LQFP-176 package
 - > FTDI based debugger with micro USB
 - > Use of Arduino Uno/compatible platform
- www.infineon.com/aurixlowcostarduinokits



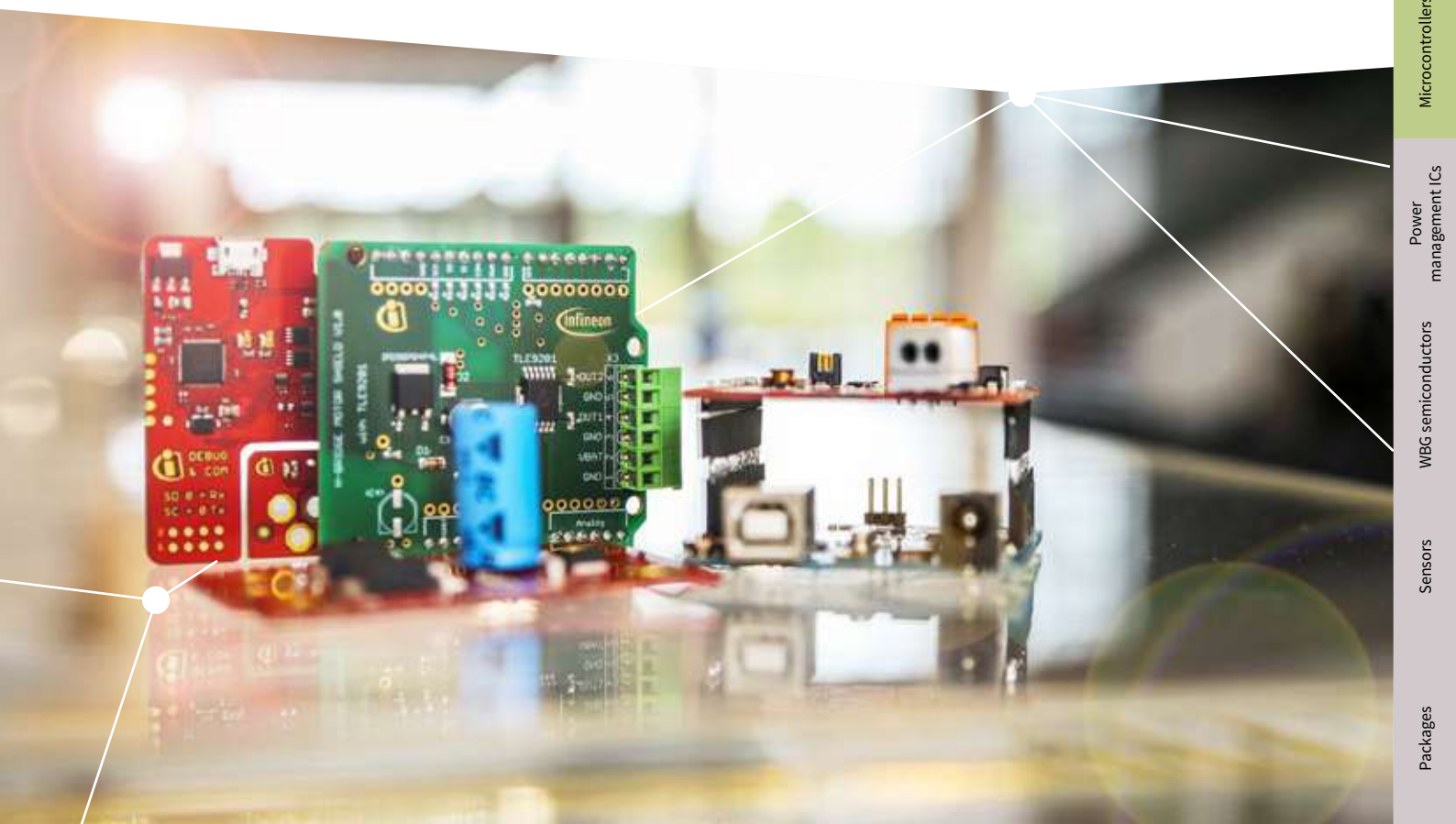
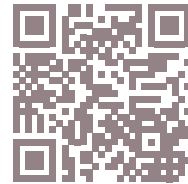
AURIX™ TC375 Lite kit

- > AURIX™ TC375 device in LQFP-176 package
 - > Ethernet PHY
 - > FTDI based debugger with micro USB
 - > Use of Arduino Uno/compatible platform
- www.infineon.com/aurixlowcostarduinokits



Discover our AURIX™ kits platform for more starter and application kits

www.infineon.com/aurixkits



Infineon application kits – 32-bit microcontrollers

24 GHz Radar

Based on the Infineon AURIX™ and MMIC BGT24A families

- › BGT24A transceiver MMIC family, e.g. BGTA24ATR12,
- › 2-bit radar microcontroller family, e.g. SAK-TC264DA- 40F200
- › FFT acceleration engine and extended memory for radar image storage
- › Ethernet as measurement interface

www.infineon.com/aurixapplicationkits



60 GHz Radar

XENSIV™ BGT60ATR24C

+ AURIX™ TC356TA

+ OPTIREG™ TLS4120D0EPV33/TLS715B0EJV50

- › Modular architecture
- › Automotive qualified components
- › Virtual array processing (TDM MIMO)
- › Ultra-wideband operation of 4 GHz
- › Optimized performance versus power with SPU

www.infineon.com/aurixapplicationkits



Motor control

Order number: KIT_AURIX_TC234_MOTORCTR

- › TC234 application kit with TFT display incl. safety supply TLF35584
- › Driving of a 3-phase PMSM/BLCD (12 V/max. 50 W)
- › BLDC motor from Nanotec integrated
- › Software available with flexible configuration

www.infineon.com/aurixapplicationkits



Motor control board AURIX™ TC387

Order number: KIT_AURIX_TC234_MOTORCTR

- › TC387 Application Kit with TFT Display incl. safety supply TLF35584
- › eMotor Power board: 3-phase motor control power board with TLE9180D-31QK 3-phase gate driver IC, MOSFET power stage, and auxiliary components
- › Commands and monitoring via TFT touch screen
- › Field oriented control (FOC) algorithm using 3-phase current sensing (EVADC) encoder as position sensor (GPT12) and AURIX™ GTM as PWM generator

www.infineon.com/aurixapplicationkits



Infineon application kits – 32-bit microcontrollers

Wireless charging: the beast 1.0

- > WPC Qi v1.2.4 certified
- > Support fast charging enabled devices (7.5W and 9W)
- > AUTOSAR support
- > Improved accuracy Foreign Object Detection (FOD)

www.infineon.com/aurixapplicationkits



Wireless charging: the beast 2.0

- > Beast 2.0 is powered by the high-performance Infineon AURIX™ or Traveo™ II
- > Latest WPC Qi functionality
- > Supports 15W charging for Qi-certified devices
- > Improved accuracy Foreign Object Detection (FOD)
- > Supports future products and standards with field-upgradeable Pantheon™ software

www.infineon.com/aurixapplicationkits



Industrial robotics

Application example

Application features

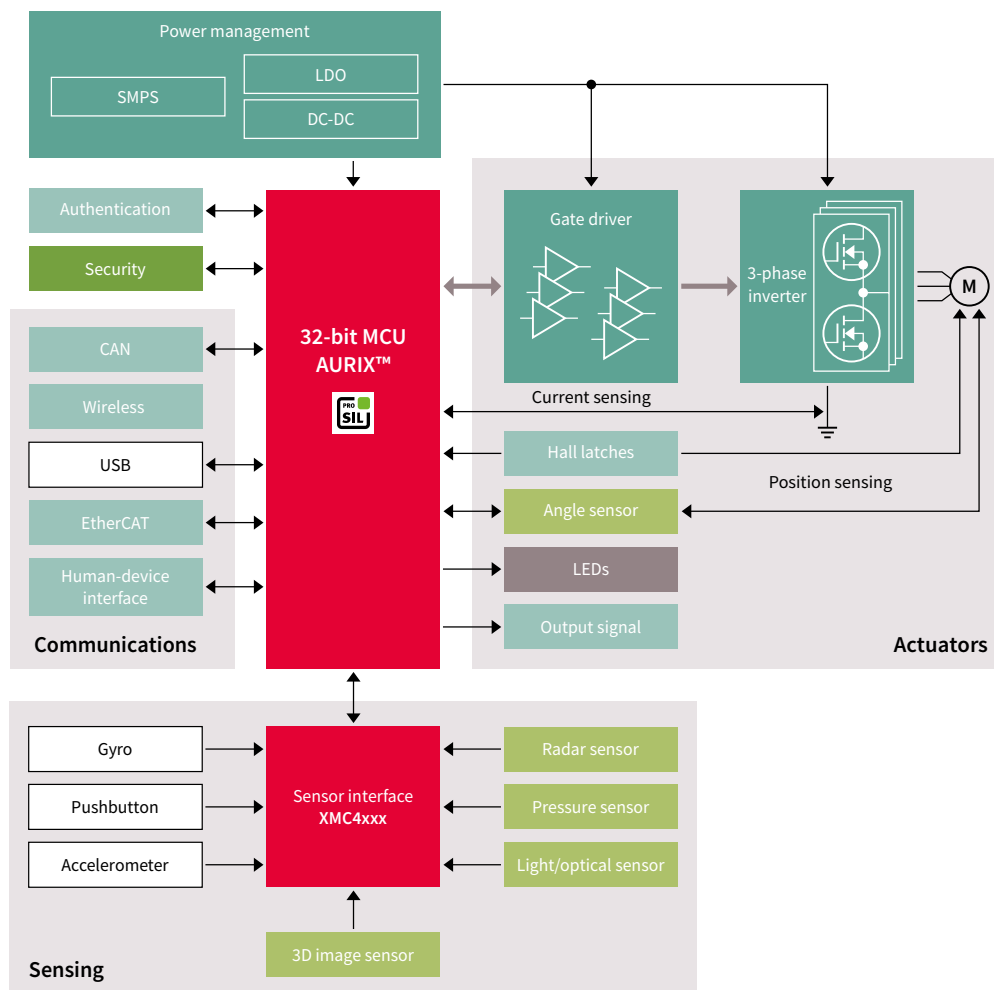
- > High computing performances
- > High level of accuracy, integration and efficiency
- > Safety management in line with current norms
- > Various topologies for axis, joints and motors
- > Security features that protect intellectual property from counterfeiting

System benefits

- > High computing performance: up to 6x 300 MHz
- > High flexibility thanks to tailored peripherals
- > Integrated safety support (EN ISO 10218 and ISO/TS15066)
- > Integrated security with hardware security module
- > Robust 3 V-, 5 V-, LVDS – PortPins
- > Large portfolio with long-term availability

Suggested products

- > TC23x
- > TC33x
- > TC36x
- > TC37x
- > TC38x
- > TC39x
- > XMC4xxx



Microcontroller PDH partner

Preferred Design Houses (PDH) and software resellers –
AURIX™ Traveo and PSoC, AURIX™ tools and software

AURIX™ Tools and Software

To enable customers to achieve optimal performance when using the powerful AURIX™ architecture, Infineon has built up a network of strong partnerships with companies highly specialized in multicore software development. Infineon's multicore partners can offer the best multicore expertise and tools on the market for each stage of the software design process, covering everything from the initial multicore knowledge acquisition phase right up to final optimization of the multicore software.

AURIX™ Embedded Software



- > AURIX™ Applications software
- > Autosar
- > Non-Autosar OS/RTOS
- > Middleware
- > Communication and connectivity
- > Bootloader/OTA
- > Safety

AURIX™ Tools



- > AURIX™ Free Tools
- > Calibration/Measurement/Prototyping
- > Compilers
- > Debugger, Test Tools
- > Flash Tools
- > Simulation/Modelling
- > SW Automation/Autocoding

Discover our new AURIX™ Tools and Software ecosystems where you can find everything you need within easy reach
www.infineon.com/aurixtools and www.infineon.com/aurixsoftware



TRAVEO™ II portfolio

Thanks to its special features the Traveo™ II family is the perfect match for industrial applications. With processing power and network connectivity built into a single Arm® Cortex®- M4F and dual Cortex®- M7F, the Traveo™ II family comes up with an enhanced performance up to 1500 DMIPS and a high-performance CPU operating up to 350 MHz.



Product type	Supply Voltage [V]	Main Core frequency [MHz]	Flash (Code + Work) [kB]	SRAM [kB]	GPIO	ADC Channels	CAN/CAN FD Channels	Ethernet 100/1000 Mbit	SCB Channel	CXPI Channel	SMIF (SPI/HyperBus)	LIN Channel	I ² S Channel	eMMC Channels	HSM	Temperature ranges	Packages	SIL Level
TRAVEO™ T2G CYT2B7 series																		
CYT2B75CADQ0AZEGS	2,7 to 5,5	160	1088 + 96	128	78	39	6	no	8	0	-	7	-	0	Yes	E	100-LQFP	ASIL-B
CYT2B78CADQ0AZEGS	2,7 to 5,5	160	1088 + 96	128	152	64	6	no	8	0	-	8	-	0	Yes	E	176-LQFP	ASIL-B
TRAVEO™ T2G CYT2B9 series																		
CYT2B95CACQ0AZEGS	2,7 to 5,5	160	2112 + 128	256	78	39	8	no	8	4	-	9	-	0	Yes	E	100-LQFP	ASIL-B
CYT2B98CACQ0AZEGS	2,7 to 5,5	160	2112 + 128	256	152	64	8	no	8	4	-	12	-	0	Yes	E	176-LQFP	ASIL-B
TRAVEO™ T2G CYT4BF series																		
CYT3BB8CEBQ0AESGS	2,7 to 5,5	250	4160 + 256	768	148	64	8	1	10	0	1	16	TX 3ch, RX 3ch (3 instances)	1	Yes	S	176-TEQFP	ASIL-B
CYT3BBBCEBQ0BZEGS	2,7 to 5,5	250	4160 + 256	768	220	72	8	1	11	0	1	16	TX 3ch, RX 3ch (3 instances)	1	Yes	E	272-BGA	ASIL-B
TRAVEO™ T2G CYT4BF series																		
CYT4BF8CEDQ0AEEGS	2,7 to 5,5	350	8384 + 256	1024	148	81	10	1	10	0	1	17	TX 3ch, RX 2ch (3 instances)	1	Yes	E	176-TEQFP	ASIL-B
CYT4BFCCJDQ0BZEGS	2,7 to 5,5	350	8384 + 256	1024	240	86	10	2	11	0	1	20	TX 3ch, RX 2ch (3 instances)	1	Yes	E	320-BGA	ASIL-B



TRAVEO™ II kits

CYTVII-B-E-BB

- > The **CYTVII-B-E-BB** is a generic base board that can be connected to compatible Traveo™ II entry or high-end evaluation boards so as to extend its functionality
- > Connects to most CYTVII-B-E-xxx and CYTVII-B-H-xxx evaluation boards
www.infineon.com/cms/en/product/evaluation-boards/cytvii-b-e-bb



CYTVII-B-E-176-SO

- > The **CYTVII-B-E-176-SO** evaluation board is based on the Traveo™ II entry family of devices.
- > Traveo™ II is CYT2B78CADES
www.infineon.com/cms/en/product/evaluation-boards/cytvii-b-e-176-so



CYTVII-B-E-1M-SK

- > The **CYTVII-B-E-1M-SK** is a low-cost easy to use evaluation board based on the Traveo™ II entry family of devices.
- > Traveo™ II CYT2B75CADES MCU
- > Designed in an Arduino form factor so that users can connect many off-the-shelf Arduino shields to it, to expand its functionality
www.infineon.com/cms/en/product/evaluation-boards/cytvii-b-e-1m-sk



CYTVII-B-H-8M-320-CPU

- > The **CYTVII-B-H-8M-320-CPU** evaluation board is based on the Traveo™ II high-end family of devices.
- > Traveo™ II CYT4BFCCHCES MCU
- > Audio, Ethernet, SD Card, SMIF
www.infineon.com/cms/en/product/evaluation-boards/cytvii-b-h-8m-320-cpu



MOTIX™ MCU – Embedded Power ICs

System-on-chip solution for motor control applications

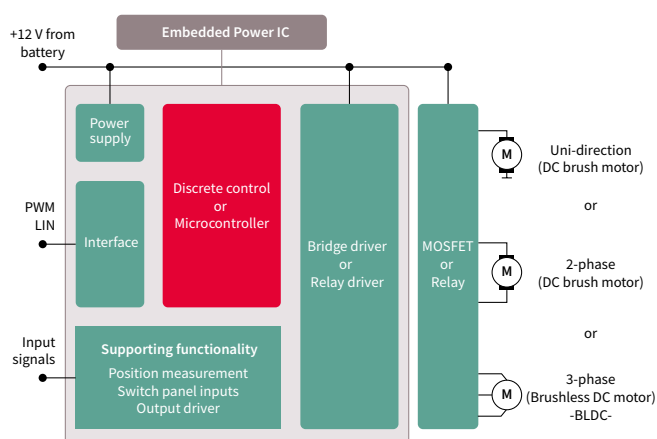
Infiniteon's MOTIX™ Embedded Power ICs include a 32-bit Arm® Cortex®-M microcontroller, a voltage regulator, the communication interfaces, along with the driving stages for motor control applications. These system-on-chip solutions offer an unmatched level of integration of all functions required to sense, control and actuate a motor. They save space and energy, improve the overall system reliability through advanced diagnosis features and reduce the overall cost due to a minimum number of external components. They perfectly fit with a range of motor control applications where a small package form factor and a minimum number of external components are essential.

Criteria	TLE984x	TLE9845	TLE9850/1	TLE985x	TLE986x	TLE987x
Controller	Arm® Cortex®-M0				Arm® Cortex®-M3	
Core frequency	25-40 MHz	40 MHz			24-40 MHz	
Flash size	36 KB – 64 KB	48 KB	48/64 KB	48 KB – 96 KB	36 KB – 256 KB	
Driver stage	Relay	Half-bridge		H-bridge		B6-bridge
	Relay	PN FET half-bridge	NN FET half-bridge	N FET H-bridge		N FET B6-bridge
HV monitor inputs	4-5	5	4		0-1	
Junction temperature levels	150°C	150°C	150°C and 175°C	150°C and 175°C	150°C and 175°C	
Packages	VQFN-48-31		VQFN-48-31 VQFN-48-29	VQFN-48-31 VQFN-48-29	VQFN-48-29 and VQFN-48-31 TQFP-48-10	

Features and benefits

Key features
> Extensive diagnostics and protections embedded within the system-on-chip
> Minimum number of external components needed
> Platform based approach with compatible software between the product families
> Data processing, actuation and sensing integrated into the product with 32-bit Arm® Cortex®-M
> Compact package with 7x7 mm footprint (VQFN-48/TQFP-48)
> Intelligent power saving modes including stop and sleep mode and energy management for external sensors (on demand)

Customer benefits
> High levels of system reliability
> Reduced cost
> Support multiple and flexible designs with minimal effort
> Space saving
> Energy saving



- > MOTIX™ Embedded Power ICs enable mechatronic motor control solutions for either relay, half-bridge or full-bridge DC and BLDC motor applications
- > They are supported by a complete development tool chain provided by Infineon and third party vendors. The tool chain includes compilers, debuggers, evaluation boards, LIN low level drivers and configuration tools as well as variety of example software code.

BLDC Motor Control Shield for Arduino

3-phase motor control shield with MOTIX™ TLE9879QXA40

The BLDC Shield for Arduino uses **TLE9879QXA40**, which is a part of the MOTIX™ TLE987x family of the Infineon MOTIX™ MCU portfolio. It enables the shield to drive 3-phase BLDC motors with a variety of different features. One Arduino base board can control up to four BLDC shields via SPI. The BLDC Shield firmware provides an auto-addressing functionality. Every shield in the stack can be controlled independently and run completely different motor control algorithms if desired.

The shield implements three different advanced motor control algorithms:

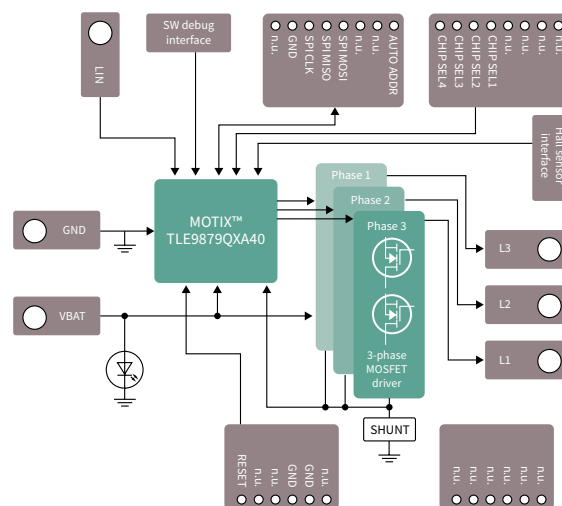
- > Sensorless field-oriented control (FOC),
- > Block commutation with back EMF (BEMF)
- > Hall based block commutation (HALL)

The firmware can be changed using the SWD Interface. Additional connectors for voltage supply, motor-phases and hall sensors speed up the evaluation.

Features and benefits

Key features
> Implemented motor control algorithms (FOC, BEMF, Hall)
> Controlled over Arduino via SPI
> Compatible with the Arduino Uno or the Infineon XMC™ baseboard
> Up to four shields can be used simultaneously
> Each shield can be controlled independently
> Motor parameters can be set for each shield individually

Customer benefits
> Easy to use API, allowing the user to quickly setup an application
> High performance BLDC motor control in form of the TLE987x chip



Our BLDC Shield for Arduino comes with a library which includes a collection of code that makes it easy for you to run your project. The Arduino library offers an intuitive API to quickly setup and configure an application.

www.infineon.com/bldcmotorshield
www.infineon.com/shields-for-arduino



For more details on the product, click on the part number, visit infineon.com or contact our [product support](#).

CAN-FD transceivers

High- and low-speed CAN-FD [Transceivers](#) for automotive and many other applications

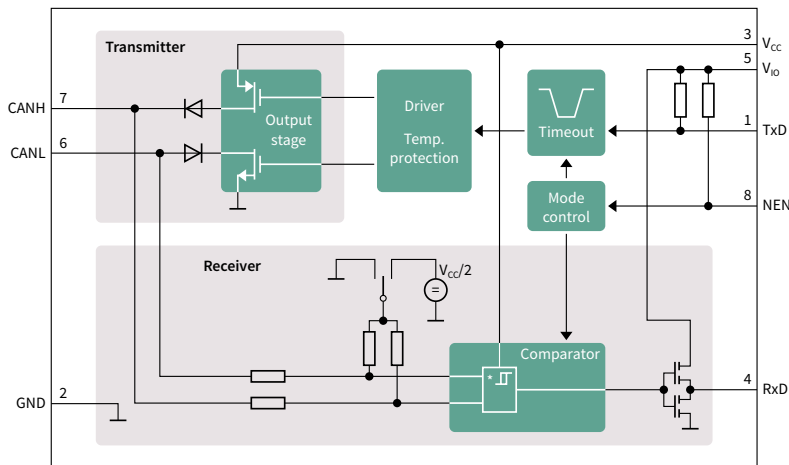
Recently the automotive industry newly established the CAN-FD (Flexible Data-rate) protocol for faster CAN communication up to 5Mbit/s and CAN PN (Partial Networking) for improved energy efficiency.

Dependent on the respective network architecture and the related ECU supply path, different transceiver types are used. Infineon transceivers ensure reliable communication and help minimizing the current consumption. The products provide the best value by its high performance, ruggedness and reliability.

Features and benefits

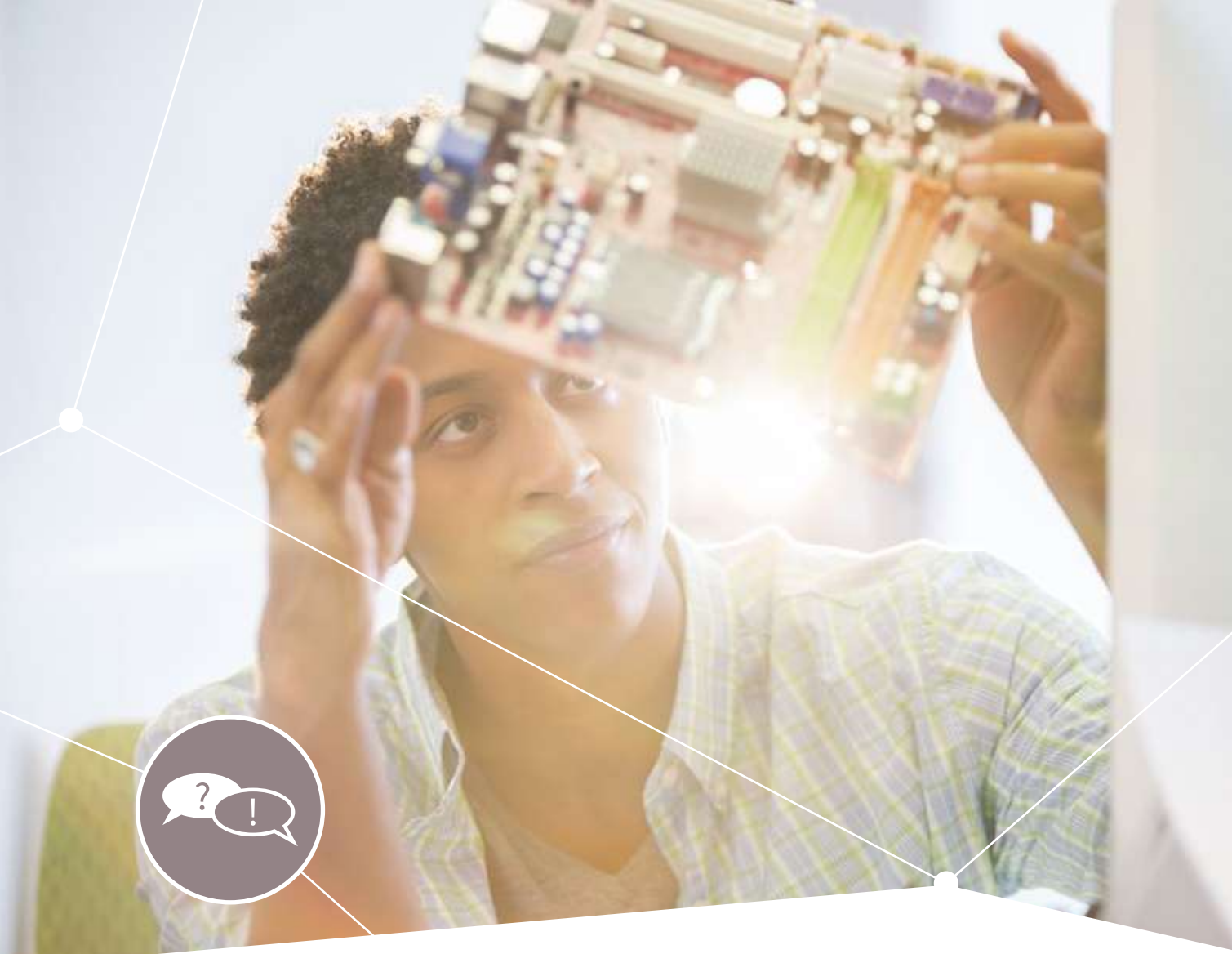
Key features	Key benefits
<ul style="list-style-type: none"> Transmission rates up to 5 Mbit/s ISO11898 compliant 	<ul style="list-style-type: none"> Low current consumption
<ul style="list-style-type: none"> Low-power modes 	<ul style="list-style-type: none"> Excellent EMI performance & robustness
<ul style="list-style-type: none"> Receive-only mode 	<ul style="list-style-type: none"> Pin-to-pin replacements for industry-standard parts
<ul style="list-style-type: none"> Standby/sleep mode 	
<ul style="list-style-type: none"> Bus wake up 	
<ul style="list-style-type: none"> Thermal protection 	
<ul style="list-style-type: none"> CAN FD compliance 	

Block diagram TLE9250V



PG-DS08-65	PG-TSON-8-1
TLE9250SJ_GRN	TLE9250LE_GRN
TLE9250VSJ_GRN	TLE9250VLE_GRN
TLE9250XSJ_GRN	TLE9250XLE_GRN
TLE9251SJ_GRN	TLE9251LE_GRN
TLE9251VSJ_GRN	TLE9251VLE_GRN
	TLE9251VLE





Infineon support for industrial microcontrollers

One platform, countless solutions



Further information, datasheets and documents

www.infineon.com/xmc
www.infineon.com/xmc1000
www.infineon.com/xmc4000
www.infineon.com/aurix
www.infineon.com/makers

XMC SC Wireless power controller:

www.infineon.com/xmcscwirelesspowercontrollers

XMC™ MCUs ecosystem and enablement – kits, board, tools and software

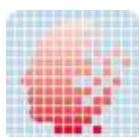
Boards and kits:
www.infineon.com/xmc-dev
www.infineon.com/connectivitykit
www.infineon.com/ethernet

Ecosystem and tools:

www.infineon.com/xmc-ecosystem

DAVE™ IDE:

www.infineon.com/dave





Power management ICs

- › XDP™ SMPS controllers
- › DC-DC digital multiphase controllers
- › AC-DC power management ICs
- › PFC controllers
- › PWM controllers and climate saver systems
- › Resonant LLC half-bridge controller ICs
- › NCF tag-side controllers
- › OptiMOS™ integrated power stages
- › Switching regulators
- › Voltage regulators
- › Digital power controller
- › 3-phase smart gate drive controller IC
- › Audio amplifier ICs
- › AC-DC LED driver ICs
- › DC-DC LED driver ICs
- › iMOTION™ integrated motor control solutions
- › MOTIX™ motor control ICs

Dear users!

Our customers are at the heart of everything we do. Please give us feedback on how we can improve to meet your expectations with this document the best.



XDP™ SMPS

IDP2308 and IDP2303A – digital multimode PFC+LLC combo controller

The IDP2308 and IDP2303A are high-performance digital combo controllers with integrated drivers and a 600 V depletion cell designed for boost PFC and half-bridge LLC targeting switched mode power supplies (SMPS) from 75 W to 300 W.

- › Support non-AUX operation with the lowest standby performance and start-up cell
- › Support multimode PFC operation for optimized efficiency curve
- › Configurable frequency setting for LLC soft-start and normal operation
- › Synchronous PFC and LLC burst mode control with soft-start to prevent acoustic noise
- › Excellent dynamic response by adaptive LLC burst mode
- › Configurable and comprehensive protections for PFC/LLC/IC temperature
- › IEC62368-1 certified active X-cap discharge function
- › Flexible IC parameter setting with digital UART interface supports PSU platform approach

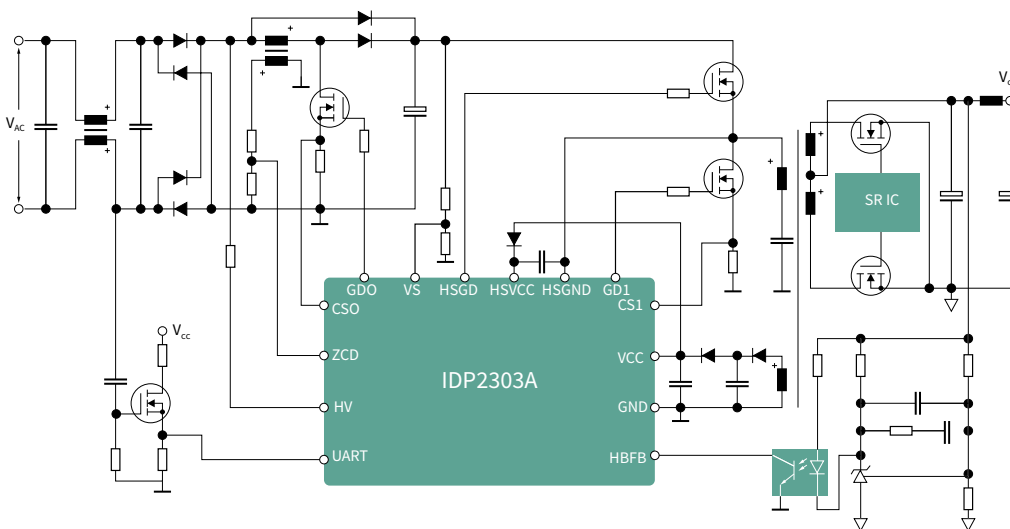
Key benefits

- › Low BOM count due to high integration of digital control
- › No auxiliary power supply needed
- › Easy design of system schematic and PCB layout
- › Small form factor design
- › Higher system reliability
- › Shorter development cycles and higher design and production flexibility



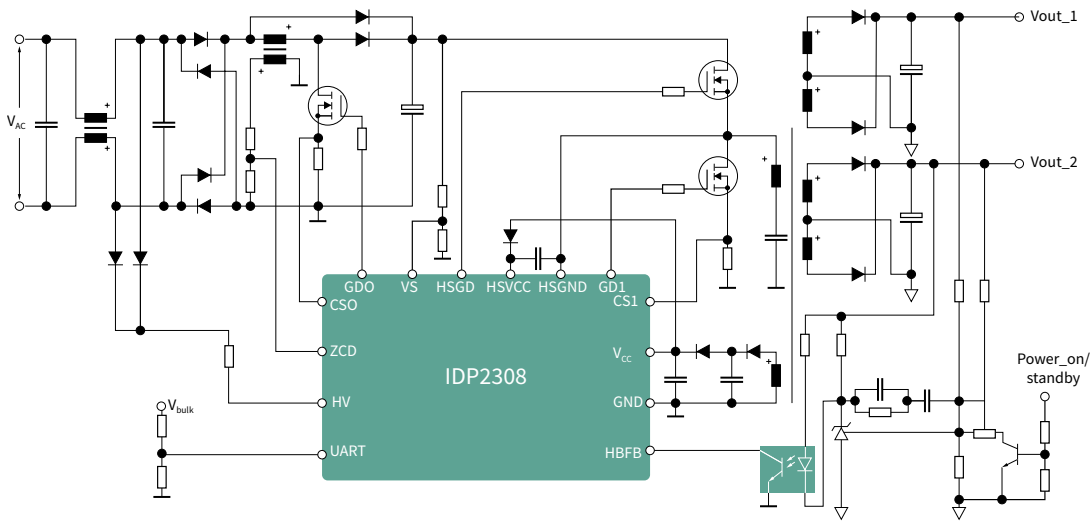
Product	Target application	Major difference	Package
IDP2308	TV embedded PSU	2 nd redundant PFC output overvoltage protection	DSO-14 (with enhanced HV creepage distance)
IDP2303A	Adapter, general SMPS	Constant output voltage	DSO-16

IDP2303A – power adapter





IDP2308 – embedded PSU



Target applications

- > LCD TV power supply
- > General SMPS
- > Power adapter

www.infineon.com/xdp-smps

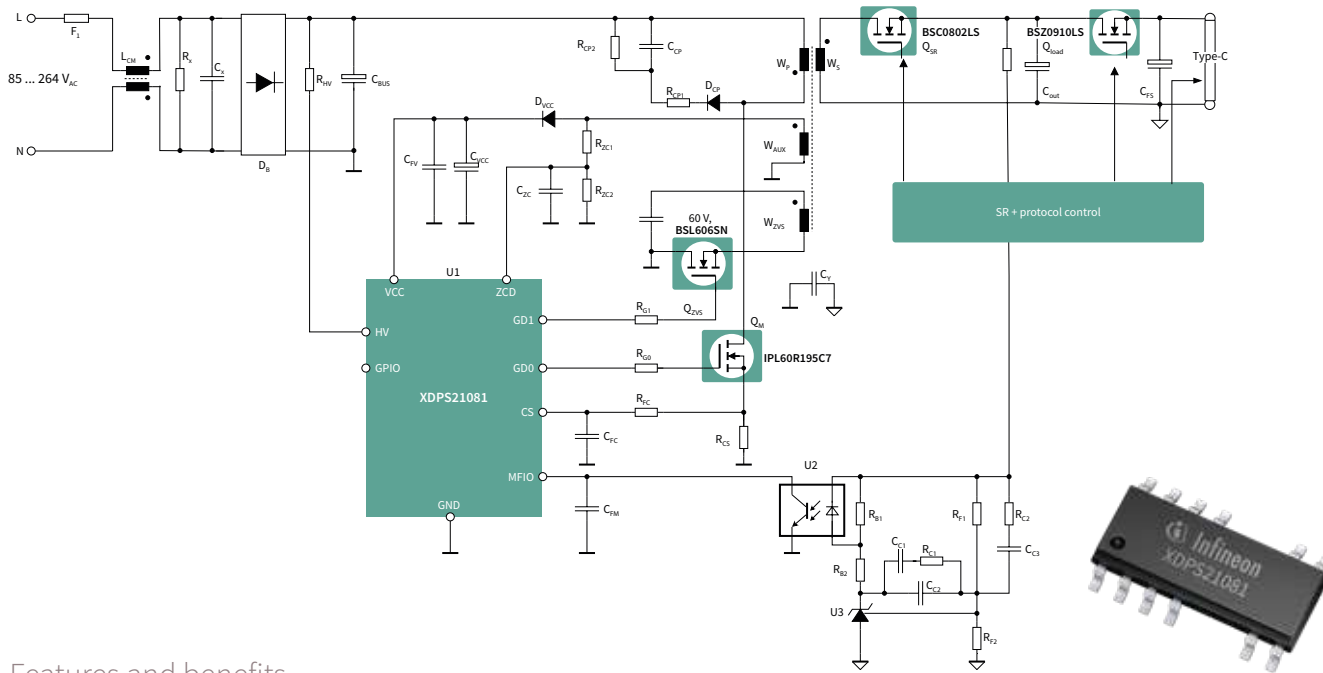
For more details on the product, click on the part number, visit infineon.com or contact our [product support](#).



XDP™ SMPS

XDPS21081 – digital FQR flyback controller

XDPS21081 is a flyback controller with zero voltage switching (ZVS) on the primary side to achieve high efficiency with simplified circuitry and economical switches. By driving an external low-voltage switch to induce a negative current to discharge the main high-voltage MOSFET, switching losses can be reduced further than the traditional valley by switching the type of switching scheme. To achieve high efficiency with synchronous rectification, the **XDPS21081** multimode digital forced quasi-resonant (FQR) flyback controller IC ensures discontinued conduction mode (DCM) operation via valley detection for a safe and robust operation.



Features and benefits

Key features
> Zero voltage switching
> Frequency law optimization
> Active burst mode operation with multi-entry/exit threshold
> Integrated dual MOSFET gate driver
> Easy ZVS implementation with an external 60 V MOSFET
> Multiple peak current threshold offset for different output
> CrCM operation with valley detection

Key benefits
> Reduce switching loss and achieve high efficiency
> Optimize efficiency across various line/load conditions
> Optimize light and no-load efficiency
> Save BOM count and cost with no messy external driver
> Easy to drive, low cost and widely available off the shelf 60 V MOSFET
> Fail-safe mechanism to limit output power in the event of PD controller failure
> Avoid CCM operation and no potential of shoot-through with SR MOSFET

REF_XDPS21081_65W1

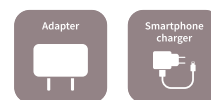


65 W USB-PD Type-C reference design in a small form factor based on **XDPS21081**.

- > Up to 65 W output power with 25 W/in³ power density
- > Universal input range 90~264 V_{AC}
- > Supported output: 5 V/3 A, 9 V/3 A, 12 V/3 A, 15 V/3 A and 20 V/3.25 A
- > Peak efficiency > 93 percent
- > Low no-load standby input power < 65 mW

Ordering code: REF XDPS2108165W1TOB01

www.infineon/xdps21081



For more details on the product, click on the part number, visit infineon.com or contact our [product support](#).



DC-DC digital multiphase controllers

Point-of-load power management

Infiniteon's digital multiphase and multi-rail controllers provide power for today's medium- and high-current POL applications used in telecom/datacom, server, and storage environments. Infineon's digital controller family enables OEMs and ODMs to improve efficiency and total cost of ownership while increasing power density and optimizing the total system footprint of the voltage regulator. The products highlighted in the table below represent our fifth-generation digital controller family and support up to two rails with 1-6 phases on individual rails. The I2C/PMBus interface connects the digital controllers to the application system and provides real-time telemetry information, monitoring, and control capabilities. The digital controllers are fully configurable through our PowerCode and PowerClient graphical user interfaces that allow for easy-to-use and simplified design optimization.

Multiphase configurations are supported for best power optimization

Feature		Controller family							
Configurable output rails		Dual rail	Dual rail	Dual/single rail	Dual/single rail	Dual rail	Dual/single rail	Dual/single rail	Dual rail
Part number	PMBus	PXE1610C*	IR35212	XDPE10280B*	XDPE10281B*	IR35204MTRPBF	IR35201MTRPBF	IR35223*	XDPE132G5C*
Phase configuration	Main	7 ph	7 ph	8 ph	8 ph	4 ph	8 ph	10 ph	16 ph
	Subconfigurations	6+1	6+1	8+0, 6+2, 4+4	8+0, 6+2, 4+4	3+1	8+0, 7+1, 6+2	10+0, 5+5	8+8
V _{out,max}		2.5 V	3.3 V	3.04 V	3.04 V	3.3 V	3.3 V	3.3 V	3.3 V
Switching frequency		Up to 2 MHz	Up to 2 MHz	Up to 2 MHz	Up to 2 MHz	Up to 2 MHz	Up to 2 MHz	Up to 2 MHz	Up to 2 MHz
Operating temperature range		-5°C to 85°C	-40°C to 85°C	-40°C to 85°C	-40°C to 85°C	-40°C to 85°C	-40°C to 85°C	-40°C to 85°C	-40°C to 120°C
VQFN package		48-lead (6x6) 0.4 mm pitch	48-lead (6x6) 0.4 mm pitch	56-lead (7x7) 0.4 mm pitch	56-lead (7x7) 0.4 mm pitch	40-lead (5x5) 0.4 mm pitch	56-lead (7x7) 0.4 mm pitch	48-lead (6x6) 0.4 mm pitch	56-lead (7x7) 0.4 mm pitch
Typical application		Intel server, high-end desktop	Intel server, workstation, high-end desktop	Intel server, workstation, high-end desktop	AMD server, workstation, high-end desktop	AMD server, memory and SOC	AMD server, CPU	Phase redundant based server systems	AMD server, GPU, ASIC, networking ASSP

Advantages of a digital controller

The protection features include a set of sophisticated overvoltage, undervoltage, overtemperature, and overcurrent protection. Each of the controllers in the table above also detects and protects against an open circuit on the remote sensing inputs. These attributes provide a complete and advanced protection feature set for microprocessor, DSP, FPGA, or ASIC power systems. Accurate current sense telemetry achieved through internal calibration that measures and corrects current sense offset error sources upon start-up. Programmable temperature compensation provides accurate current sense information even when using DCR current sense.

www.infineon.com/digital-controller

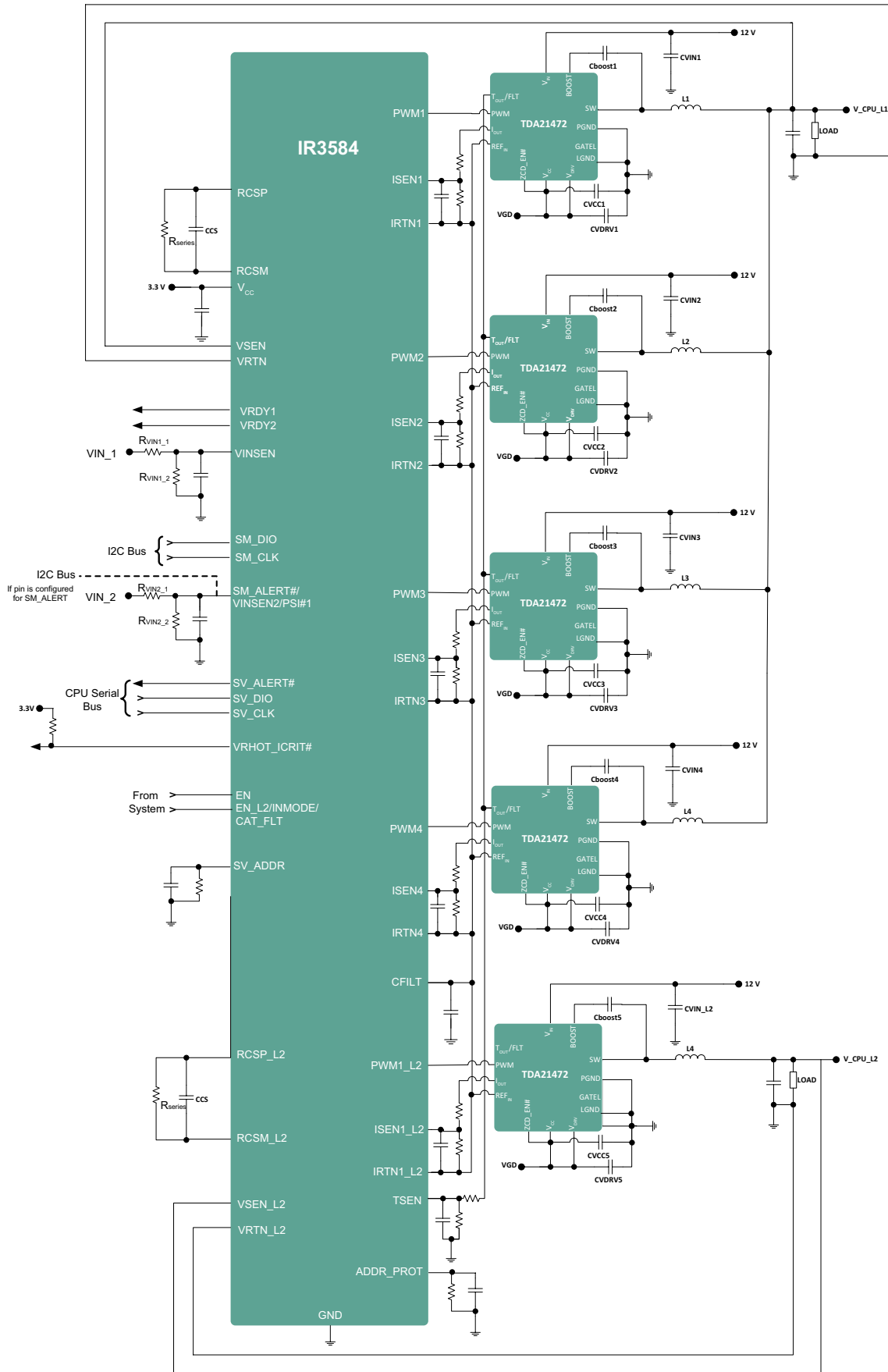
*For more information on the product, contact our product support



For more details on the product, click on the part number, visit infineon.com or contact our [product support](#).



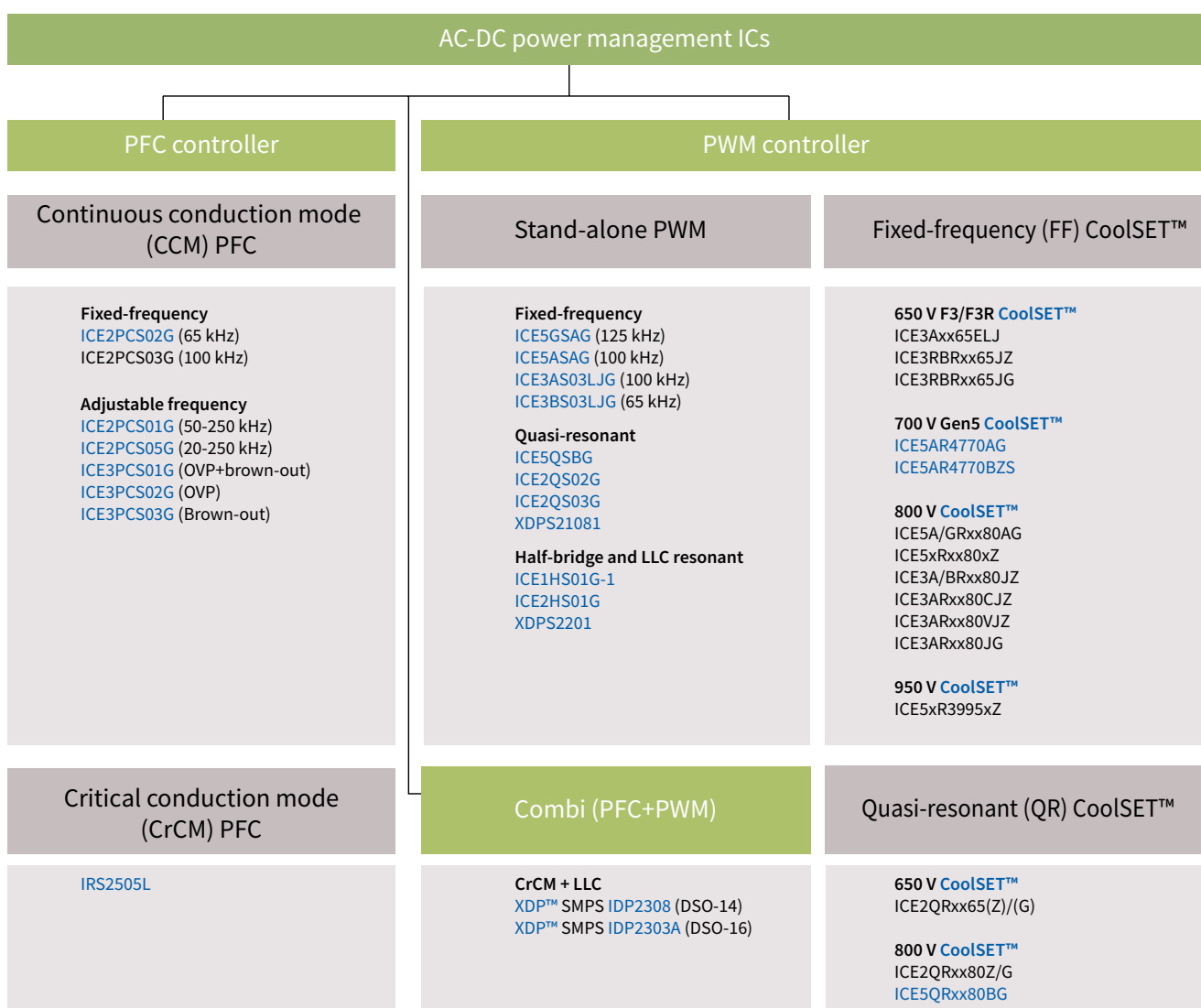
Typical multiphase application circuit



AC-DC power management ICs

Technology leadership in power supply

By offering a wide variety of highly efficient control ICs we enable our customer to meet new demands like PFC regulations and ultralow standby power requirements in a very cost-effective way. A comprehensive array of safety features helps to minimize the number of external components, reduces design in time and improves the reliability of the SMPS.

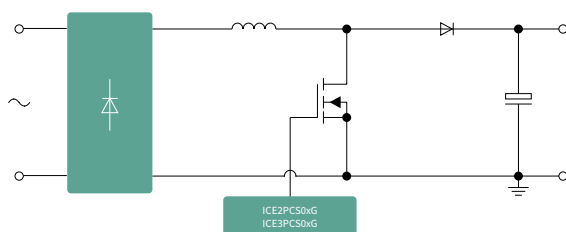


Continuous conduction mode (CCM) PFC ICs

High efficiency and very low system cost

Compared to the first generation of ICE1PCS01/02, the second generation of CCM PFC controller ICs, ICE2PCS01/02, have lower internal reference trimmed at 3 V. They also have other advantages such as wider V_{CC} operating range, an improved internal oscillator and additional direct bulk capacitor overvoltage protection. Compared to the first and second generation of ICE1PCS0x and ICE2PCS0x, the third generation of CCM PFC has the lowest internal reference trimmed at 2.5 V and integrated digital control voltage loop. The third generation also features low peak current limit at 0.2 V, an adjustable gate switching frequency range from 21 kHz to 100 kHz and is able to synchronize with an external frequency range from 50 kHz to 100 kHz. The third generation is now able to achieve 95 percent efficiency at full load for the entire input voltage range.

Application diagram



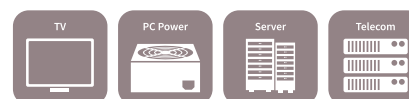
2nd generation continuous conduction mode PFC IC features

- › Fulfills class D requirements of IEC 61000-3-2
- › Lowest count of external components
- › Adjustable and fixed switching frequencies
- › Frequency range from 20 to 250 kHz
- › Versions with brown-out protection available
- › Wide input range supported
- › Enhanced dynamic response during load jumps
- › Cycle-by-cycle peak current limiting
- › Integrated protections OVP, OCP
- › DIP-8 and DSO8
- › Lead-free, RoHS compliant

3rd generation continuous conduction mode PFC IC features

- › Fulfills class D requirements of IEC 61000-3-2
- › Integrated digital voltage loop compensation
- › Boost follower function
- › Bulk voltage monitoring signals, brown-out
- › Multi protections such as double OVP
- › Fast output dynamic response during load jump
- › External synchronization
- › Extra-low peak current limitation threshold
- › SO8 and SO-14
- › Lead-free, RoHS compliant

	ICE2PCS01G ICE2PCS05G	ICE2PCS02G ICE2PCS03G	ICE3PCS03G	ICE3PCS02G	ICE3PCS01G
Digital control voltage loop		-	✓	✓	✓
Variable frequency	✓	-	✓	✓	✓
Synchronous frequency		-	✓	✓	✓
Open loop protection	✓	✓	✓	✓	✓
Low peak current limit	-1 V	-1 V	-0.4 V	-0.4 V	-0.2 V
Brown-out protection	-	✓	✓	-	✓
Overvoltage protection	✓	✓	✓	✓	✓
Second overvoltage protection		-		✓	✓
PFC enable function			-		✓
Boost follower mode			-		✓
5 V regulator			-		✓

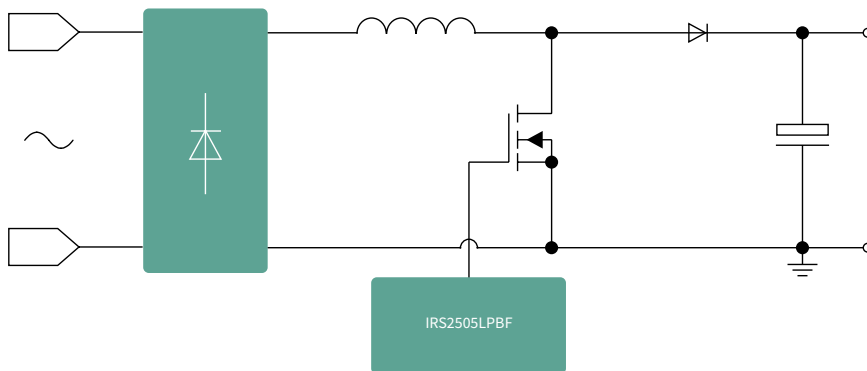


Critical conduction mode (CrCM) PFC

Easy design and lowest system cost

Fully compatible with the world standard, these devices are optimized to offer extremely compact and cost-effective PFC solutions for electronic ballast and off-line SMPS.

Application diagram



IRS2505LPBF

- > Critical conduction mode PFC control
- > High power factor and ultralow THD
- > Wide load and line range
- > Regulated and programmable DC bus voltage
- > No secondary winding required
- > MOSFET cycle-by-cycle overcurrent protection
- > DC bus overvoltage protection
- > Low EMI gate drive
- > Ultralow start-up current
- > 20.8 V internal Zener clamp on V_{CC}
- > Excellent ESD and latch immunity
- > RoHS compliant
- > 5-pin SOT-23 package



PFC controller portfolio

Critical conduction mode (CrCM) PFC IC portfolio

Product	V _{CC} min.	V _{CC} max.	Package
IRS2505L	9 V	20.8 V	SOT-23

Continuous conduction mode PFC ICs

2nd generation continuous conduction mode PFC IC product portfolio

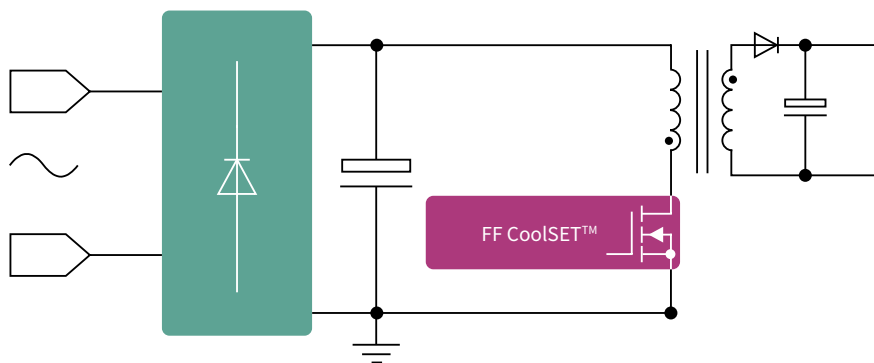
Product	Frequency – f _{sw}	Current drives	Package
ICE2PCS01G	50-250 kHz	2.0 A	DSO8
ICE2PCS02G	65 kHz	2.0 A	
ICE2PCS03G	100 kHz	2.0 A	
ICE2PCS05G	20-250 kHz	2.0 A	

3rd generation continuous conduction mode PFC IC product portfolio

Product	Frequency – f _{sw}	Current drives	Features	Package
ICE3PCS01G	Adjustable	0.75 A	OVP+brown-out	SO-14
ICE3PCS02G		0.75 A	OVP	SO8
ICE3PCS03G		0.75 A	Brown-out	SO8



5th generation fixed-frequency PWM IC and CoolSET™



- > Integrated CoolMOS™ in 700 V, 800 V and 950 V MOSFETs
- > Cascode configuration for brown-in protection, fast and robust start-up
- > Available in 65 kHz, 100 kHz and 125 kHz fixed switching frequency
- > Frequency reduction in tandem with load reduction to increase efficiency
- > Selectable active burst mode entry/exit profile to optimize standby power and ability to disable
- > Supports CCM flyback operation with built-in slope compensation
- > Integrated error amplifier for direct feedback non-isolated flyback and buck
- > Adjustable line input overvoltage protection (only ICE5xRxxxxAG and ICE5xRxxxxCZ)
- > V_{CC} pin short-to-ground protection
- > Auto restart protection mode to minimize interruption of operation
- > DSO8 package (stand-alone controller), DIP-7 and DSO-12 package for CoolSET™

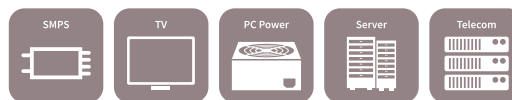


5th generation fixed-frequency CoolSET™

Output power ¹⁾ 85 V _{AC} ~300 V _{AC} T _s =50°C	15 W	17 W	23 W	27 W	40 W
R _{DS(on),max.}	5.18 Ω	4.05 Ω	2.35 Ω	1.75 Ω	0.80 Ω
700 V	DIP-7	ICE5AR4770BZS			
	DSO-12	ICE5AR4770AG			
800 V	DIP-7	ICE5AR4780BZS ICE5BR4780BZ		ICE5AR2280CZ ICE5BR2280BZ	ICE5AR0680BZS
	DSO-12	ICE5GR4780AG		ICE5GR2280AG	ICE5GR1680AG ICE5AR0680AG
950 V	DIP-7		ICE5AR3995BZ ICE5BR3995BZ ICE5BR3995CZ		

3rd generation fixed-frequency CoolSET™

Output power ¹⁾ 85 V _{AC} ~300 V _{AC} T _s =50°C	10~15 W	19~21 W	23~26 W	30~34 W	37~41 W
R _{DS(on),max.}	11.1~5.44 Ω	3.42~2.62 Ω	1.96~1.71 Ω	1.11~1.05 Ω	0.75~0.71 Ω
650 V	DIP-7	ICE3RBR4765JZ		ICE3RBR1765JZ	ICE3RBR0665JZ
	DIP-8	ICE3BR4765J	ICE3A1065ELJ	ICE3BR1765J	ICE3BR0665J
	DSO-12	ICE3RBR4765JG		ICE3RBR1765JG	ICE3RBR0665JG
800 V	DIP-7	ICE3AR4780JZ	ICE3AR2280JZ	ICE3AR1580VJZ	ICE3AR1080VJZ ICE3AR0680JZ
		ICE3AR4780VJZ	ICE3BR2280JZ		ICE3BR0680JZ
		ICE3AR4780CJZ	ICE3AR2280VJZ		ICE3AR0680VJZ
		ICE3AR10080CJZ	ICE3AR2280CJZ		
	DSO-12	ICE3AR4780JG	ICE3AR2280JG		ICE3AR1080JG



www.infineon.com/coolset

1) Calculated DCM maximum output power in an open-frame design based on T_s=50°C and T_J=125°C without copper area as heatsink

For more details on the product, click on the part number, visit infineon.com or contact our [product support](#).



Fixed-frequency PWM IC

FF PWM IC	Gen5		Gen3	
	ICE5ASAG	ICE5GSAG	ICE3AS03LJG	ICE3BS03LJG
Package	DSO-8		DSO-8	
Switching frequency	100 kHz	125 kHz	100 kHz	65 kHz
Operating temperature	-40°C~129°C		-25°C~130°C	
Start-up cell	Cascode		✓	
V _{CC} on/off threshold	16 V/10 V		18 V/10.5 V	
Soft-start time	12 ms		10 ms	20 ms
Frequency jittering	✓		✓	
Modulated gate drive	✓		✓	
Active burst mode	✓ (3-level selectable)		✓	
Slope compensation for CCM	✓		-	
Frequency reduction	✓		-	
Integrated error amplifier for direct feedback	✓		-	
Adjustable line input overvoltage protection	✓ with auto restart		-	
Adjustable brown-in protection	✓ with auto restart		-	
V _{CC} pin short-to-ground protection	✓ (no start-up)		-	
V _{CC} undervoltage protection	✓ with auto restart		✓ with auto restart	
V _{CC} overvoltage protection	✓ with auto restart		✓ with latch-up	
Overload/open loop protection	✓ with auto restart		✓ with auto restart	
Overtemperature protection	✓ with auto restart and hysteresis		✓ with latch-up	
External blanking time extension	-		✓ with auto restart	
External protection enable pin	-		✓ with latch-up	



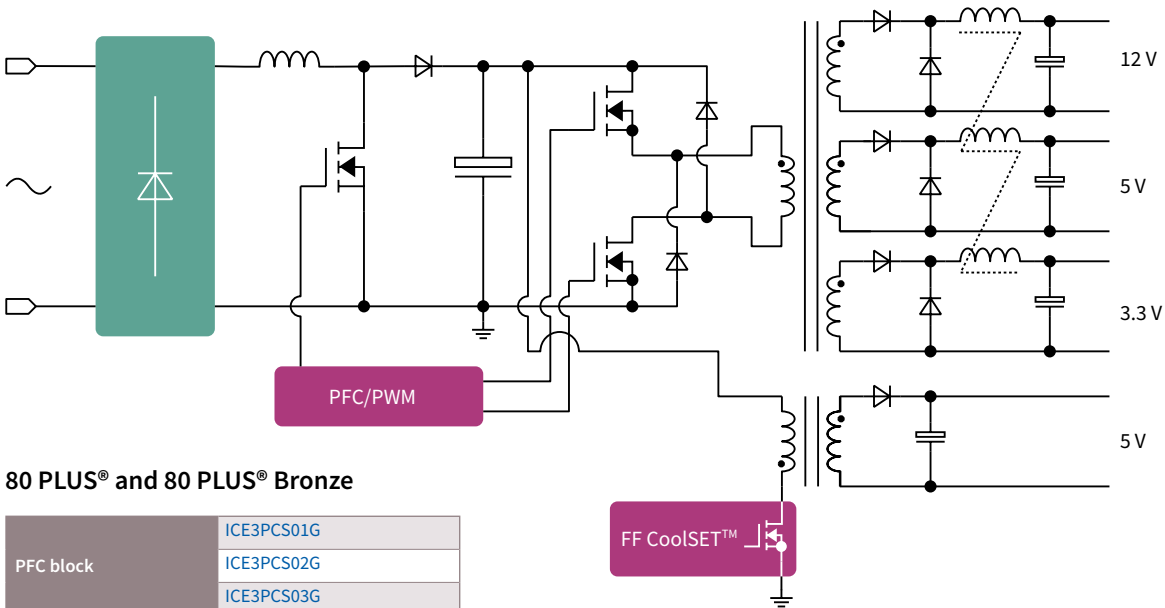
Fixed-frequency CoolSET™

	700 V CoolSET™	650 V CoolSET™		
	Gen5 ICE5ARxx70AG(BZS)	Gen3 ICE3Axx65ELJ	Gen3R ICE3BRxx65J	Gen3R ICE3RBRxx65JZ(G)
Package	DIP-7, DSO-12	DIP-8		DIP-7, DSO-12
Output power range	15 W	19 W~34 W	15 W~41 W	14 W~39 W
Operating temperature range	-40°C~129°C	-25°C~130°C		-40°C~130°C
Switching frequency	100 kHz	100 kHz	65 kHz	65 kHz
Frequency reduction	✓	-		
Integrated error amplifier	✓	-		
Slope compensation for CCM mode	✓	-		
V _{cc} on/off threshold	16 V/10 V	18 V/10.5 V		
Soft-start time	12 ms	20 ms		
Active burst mode selection	3 level	1 level		
V _{cc} pin short-to-ground protection	No start-up	-		
V _{cc} overvoltage protection	Auto restart	Latch	Auto restart	
Overtemperature protection	Auto restart with hysteresis	Latch	Auto restart	
External protection enable pin	-	Latch	Auto restart	
Adjustable brown-in/-out protection	Brown-in only	-		
Adjustable line input overvoltage protection	Only ICE5ARxx70AG	-		
Fast AC reset	-			
Product available	ICE5AR4770AG ICE5AR4770BZS	ICE3A1065ELJ ICE3A2065ELJ	ICE3BR4765J ICE3BR1765J ICE3BR0665J	ICE3RBR4765JZ ICE3RBR1765JZ ICE3RBR0665JZ ICE3RBR4765JG ICE3RBR1765JG ICE3RBR0665JG

	800 V CoolSET™						950 V CoolSET™			
	Gen3R ICE3A(B)Rxx80JZ	Gen3R ICE3ARxx80CJZ	Gen3R ICE3ARxx80JG	Gen3R ICE3ARxx80VJZ	Gen5 ICE5BRxx80BZ	Gen5 ICE5ARxx80AG(BZS)	Gen5 ICE5GRxx80AG	Gen5 ICE5BRxx95xZ	Gen5 ICE5ARxx95xZ	
Package	DIP-7		DSO-12	DIP-7	DIP-7	DIP-7, DSO-12	DSO-12	DIP-7		
Output power range	10 W~40 W	11 W~23 W	14 W~30 W	15 W~39 W	15 W~22 W	15 W~40 W	15 W~27 W	17 W		
Non-isolated buck output current range					450 mA~700 mA			550 mA	-	
Operating temperature range	-25°C~130°C		-40°C~130°C		-40°C~129°C			-40°C~129°C		
Switching frequency	100 kHz/65 kHz	100 kHz	100 kHz		65 kHz	100 kHz	125 kHz	65 kHz	100 kHz	
Frequency reduction	-				✓			✓		
Integrated error amplifier	-				✓	✓ (except ICE5ARxx80CZ)		Only ICE5BRxx95BZ	✓	
Slope compensation for CCM mode	-	✓	-		✓			✓		
V _{cc} on/off threshold	17 V/10.5 V				16 V/10 V			16 V/10 V		
Soft-start time	10 ms				12 ms			12 ms		
Active burst mode selection	4-level	3-level	4-level		3-level			3-level		
V _{cc} pin short-to-ground protection	-				No start-up			No start-up		
V _{cc} overvoltage protection	Auto restart									
Overtemperature protection	Auto restart with hysteresis									
External protection enable pin	Auto restart	Latch	Auto restart	-			-			
Adjustable brown-in/-out protection	Auto restart			-	Brown-in only			Brown-in		
Adjustable line input overvoltage protection	-			Auto restart	Yes (except ICE5ARxx80BZS)		Auto restart	Only ICE5BRxx95CZ	-	
Fast AC reset	-	✓	-						-	
Product available	ICE3AR10080JZ ICE3AR4780JZ ICE3AR2280JZ ICE3AR0680JZ ICE3BR2280JZ ICE3BR0680JZ	ICE3AR10080CJZ ICE3AR4780CJZ ICE3AR2280CJZ	ICE3AR4780JG ICE3AR2280JG ICE3AR1080JG	ICE3AR4780VJZ ICE3AR2280VJZ ICE3AR1580VJZ ICE3AR1080VJZ ICE3AR0680VJZ	ICE5BR4780BZ ICE5BR2280BZ	ICE5AR0680AG ICE5AR4780BZS ICE5AR2280CZ ICE5AR0680BZS	ICE5GR4780AG ICE5GR2280AG ICE5GR1680AG	ICE5BR3995BZ ICE5BR3995CZ	ICE5AR3995BZ	

Climate saver systems

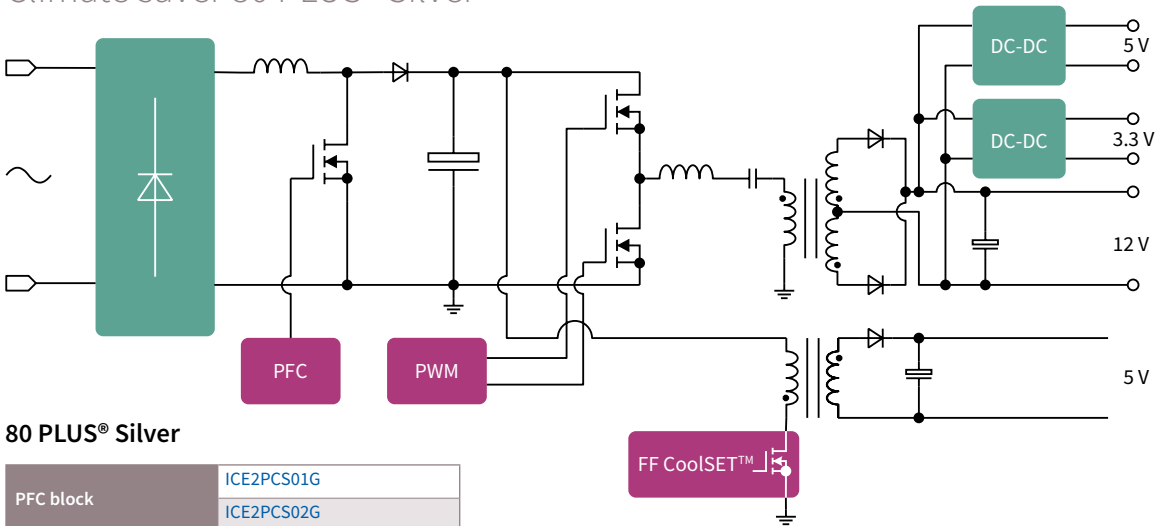
Climate saver 80 PLUS® and 80 PLUS® Bronze



80 PLUS® and 80 PLUS® Bronze

PFC block	ICE3PCS01G
	ICE3PCS02G
	ICE3PCS03G
PWM block	ICE2HS01G
	ICE5GR4780AG
Standby block FF CoolSET™	ICE5GR2280AG
	ICE5GR1680AG
	ICE3AR1080JG
	ICE5AR0680AG
	ICE5AR0680AG

Climate saver 80 PLUS® Silver



80 PLUS® Silver

PFC block	ICE2PCS01G
	ICE2PCS02G
PWM block	ICE1HS01G-1
	ICE5GR4780AG
Standby block FF CoolSET™	ICE5GR2280AG
	ICE5GR1680AG
	ICE3AR1080JG
	ICE5AR0680AG
	ICE5AR0680AG

www.infineon.com/pcpower

www.infineon.com/acdc

www.infineon.com/coolset

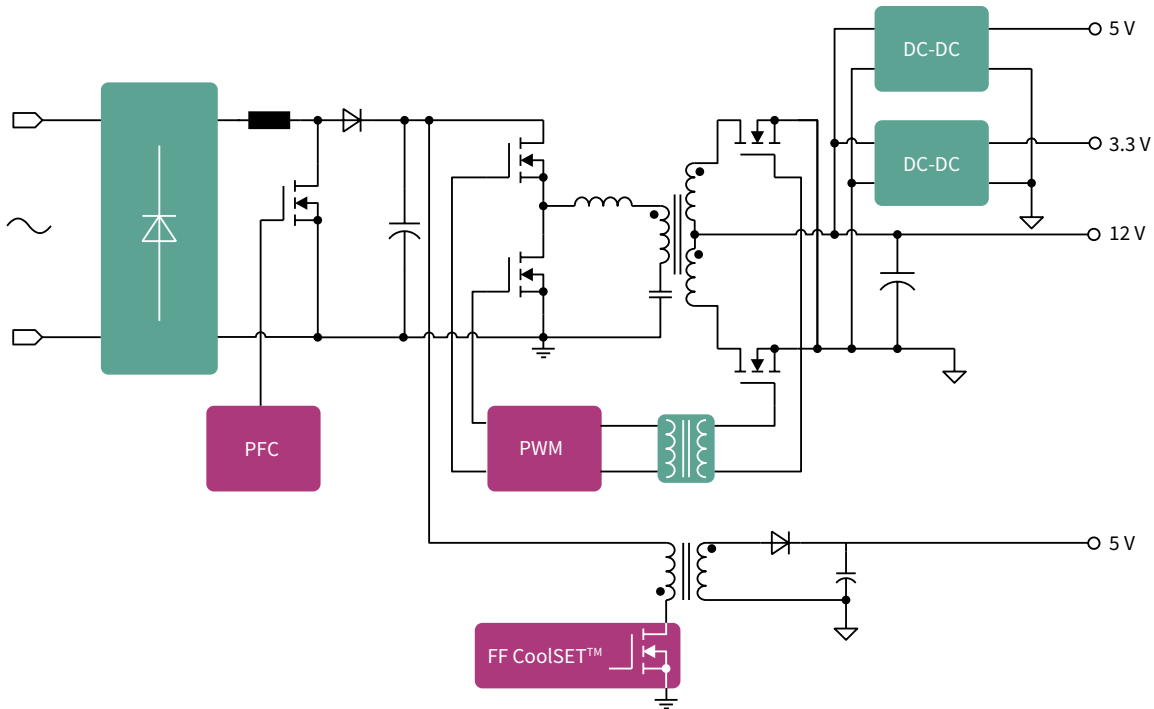
For more details on the product, click on the part number, visit infineon.com or contact our [product support](#).



Climate saver 80 PLUS® Gold

Climate saver 80 PLUS® Platinum

Certification for Infineon's PC power reference design



80 PLUS® Gold

PFC block	ICE3PCS01G
	ICE3PCS02G
	ICE3PCS03G
PWM block	ICE2HS01G
Standby block FF CoolSET™	ICE5GR4780AG
	ICE5GR2280AG
	ICE5GR1680AG
	ICE3AR1080JG
	ICE5AR0680AG

80 PLUS® Platinum

Certification for Infineon's PC power reference design

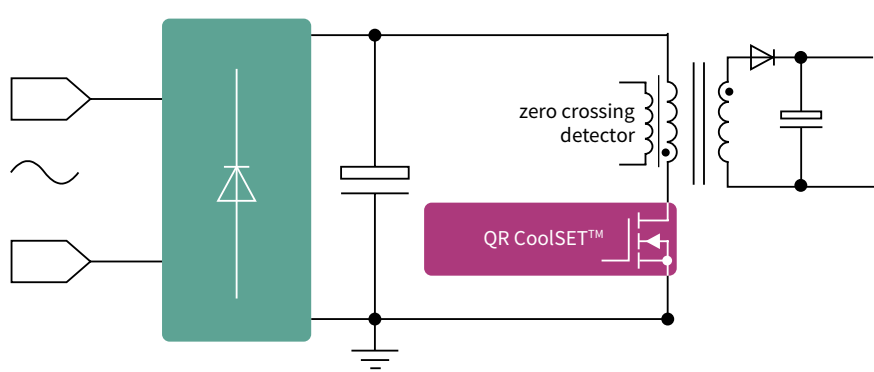
PFC block	ICE3PCS01G
	ICE3PCS02G
	ICE3PCS03G
PWM block	ICE2HS01G
Standby block QR CoolSET™	ICE5QR4780BG
	ICE5QR2280BG
	ICE5QR1680BG
	ICE2QR1080G
	ICE5QR0680BG

www.infineon.com/pcpower
www.infineon.com/acdc
www.infineon.com/coolset

For more details on the product, click on the part number, visit infineon.com or contact our [product support](#).



5th generation quasi-resonant PWM IC and CoolSET™



- > Integrated CoolMOS™ in 800 V MOSFET with cascode configuration
- > Digital frequency reduction with reduced load
- > Novel quasi-resonant to minimize the spread of switching frequency between low and high line AC input
- > Selectable active burst mode entry/exit profile
- > Auto restart mode for line overvoltage protection
- > Auto restart mode for brown-out protection
- > Auto restart mode for V_{CC} under-/overvoltage protection
- > Auto restart mode for open loop and output overload protection
- > Auto restart mode for overtemperature protection with hysteresis
- > Auto restart mode for output overvoltage
- > Limited charging current during V_{CC} pin short-to-ground protection
- > Peak power limitation with input voltage compensation
- > Minimum switching frequency limitation (no audible noise on power units on/off)
- > DSO package (controller) and DSO-12 (CoolSET™)



5th generation quasi-resonant CoolSET™

Output power ¹⁾ 85 V _{AC} ~300 V _{AC} T _a =50°C		15 W	22 W	27 W	41 W~42 W
R _{DS(on),max.}		5.18 Ω	2.35 Ω	1.75 Ω	0.80 Ω
800 V	DSO-12	ICE5QR4780BG	ICE5QR2280BG	ICE5QR1680BG	ICE5QR0680BG

2nd generation quasi-resonant CoolSET™

Output power ¹⁾ 85 V _{AC} ~300 V _{AC} T _a =50°C		14 W~15 W	20 W~21 W	23 W~26 W	31 W	38 W~42 W
R _{DS(on),max.}		5.44 Ω~5.18 Ω	2.62 Ω	1.96 Ω	1.11 Ω	0.75 Ω~0.71 Ω
650 V	DIP-7	ICE2QR4765Z		ICE2QR1765Z		ICE2QR0665Z
	DIP-8	ICE2QR4765		ICE2QR1765		ICE2QR0665
	DSO-12	ICE2QR4765G		ICE2QR1765G		ICE2QR0665G
800 V	DIP-7		ICE2QR2280Z			ICE2QR0680Z
	DSO-12	ICE2QR4780G	ICE2QR2280G ICE2QR2280G-1		ICE2QR1080G	

www.infineon.com/coolset

¹⁾ Calculated maximum output power in an open-frame design at T_a=50°C, T_j=125°C and without copper area as heat sink

For more details on the product, click on the part number, visit infineon.com or contact our [product support](#).



Quasi-resonant PWM IC

Feature	ICE5QSBG	ICE2QS02G	ICE2QS03G
Package	DSO8	DSO8	DSO8
Switching scheme	Novel QR with 10 zero crossing counters	QR with 7 zero crossing counters	QR with 7 zero crossing counters
Operating temperature	-40°C~129°C	-25°C~130°C	-25°C~130°C
Start-up cell	Cascode	-	✓
V _{CC} on/off	16 V/10 V	12 V/11 V	18 V/10.5 V
Power saving during standby	✓ active burst mode in QR switching 2-level selectable burst mode entry/exit level	-	✓ active burst mode 52 kHz
Digital frequency reduction for high average efficiency	✓	✓	✓
OLP blanking time	Fixed	Adjustable	Fixed
Auto restart timer	Through V _{CC} charging/discharging	Setting with external components	Through V _{CC} charging/discharging
Maximum input power limitation	V _{in} pin voltage dependent	Adjustable through ZC resistor	Adjustable through ZC resistor
V _{CC} undervoltage protection	✓ with auto restart	✓ with latch	✓ with auto restart
Adjustable output overvoltage protection	✓ with auto restart	✓ with latch	✓ with latch
Adjustable line input overvoltage protection	✓	-	-
Brown-out feature	✓	✓	-
V _{CC} pin short-to-ground protection	✓	-	-
Target application	Home appliances, set-top-box, AUX SMPS	AUX power supply to V _{CC} eg., LCD TV multi/main, audio main, PDP TV multi/address	Self-power supply to V _{CC} eg., smart meter, industrial applications

Quasi-resonant CoolSET™

Feature	2 nd generation ICE2QRxxxxZ/G	2 nd generation ICE2QRxx80G-1	5 th generation ICE5QRxx80BG
Switching scheme	QR with 7 zero crossing counters		Novel QR with 10 zero crossing counters
Integrated MOSFET	650 V and 800 V	800 V	800 V
High-voltage start-up cell	✓		Cascode
Power saving during standby	Active burst mode f _{sw} at 52 kHz		2 level selectable active burst mode quasi-resonant
V _{CC} on/off threshold (typ.)	18 V/10.5 V	18 V/9.85 V	16 V/10 V
Adjustable output overvoltage protection	✓ with latch		✓ with auto restart
V _{CC} over/undervoltage protection	✓ with auto restart		✓ with auto restart
Overload/open loop protection	✓ with auto restart		✓ with auto restart
Overtemperature protection	✓ with auto restart		✓ (Auto restart with hysteresis)
Adjustable line input overvoltage protection	-		✓ with auto restart
Brown-out	-		✓ with auto restart
V _{CC} pin short to ground	-		✓ (No start-up)
Package	DIP-7 DIP-8 DSO-12	DIP-7 DSO-12	DSO-12



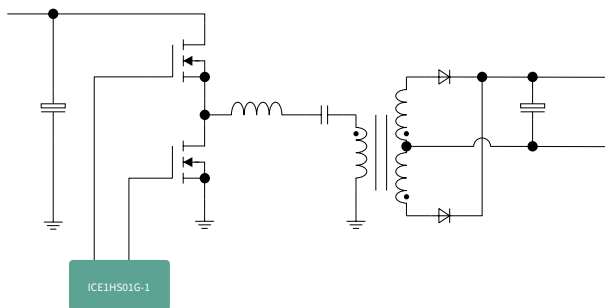
Resonant LLC half-bridge controller ICs

Best-in-class converters and controllers to support LLC HB resonant mode topology

Resonant mode power supplies are a variation over SMPS circuits where the switching losses are significantly reduced by adapting zero-voltage or zero-current switching techniques, also known as soft-switching techniques. In non-resonant mode SMPS circuits, the switches are subjected to hard switching. LLC HB resonant operates in ZVS mode, whereby switching loss is reduced to operate the converter at a higher switching frequency. In addition, the converter can be further optimized at a high input voltage. This topology allows to eliminate the secondary filter inductor, adopt better rectifier diodes and reduce secondary conduction loss. The converter utilizes the leakage and magnetizing inductance of a transformer. With the magnetic integration concept, all the magnetic components can be built in one magnetic core.

LLC resonant (no SR)

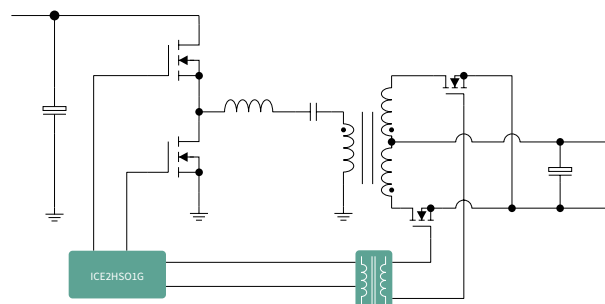
Application diagram – LLC resonant (no SR)



- > Novel and simple design (12 components + HB driver)
- > Minimum operating frequency is adjustable externally
- > Burst mode operation for output voltage regulation during no load and/or bus overvoltage
- > Multiple protections in case of fault
- > Input voltage sense for brown-out protection
- > Open loop/overload fault detection by FB pin with auto restart and adjustable blanking/restart time
- > Frequency shift for overcurrent protection
- > Lead-free, RoHS compliant package
- > DSO8 package

Resonant LLC half-bridge controller IC with integrated synchronized rectifier control

LLC resonant + SR



- > Novel LLC/SR operation mode and controlled by primary-side controller
- > Multiple protections for SR operation
- > Tight tolerance control
- > Accurate setting of switching frequency and dead time
- > Simple system design
- > Optimized system efficiency
- > Multiple converter protections: OTP, OLP, OCP, latch-off enable
- > External disable for either SR switching or HB switching
- > Lead-free, RoHS compliant package
- > DSO-20 package



LLC half-bridge controller IC	ICE1HS01G-1	ICE2HS01G
Package	DSO8	DSO-20
Switching frequency range	up to 600 kHz	up to 1 MHz
LLC soft-start	✓	✓
LLC burst mode	✓	✓
Adjustable minimum frequency	✓	✓
Overload/open loop protection	✓	✓
Mains undervoltage protection with hysteresis	✓	✓
Overcurrent protection	2-level	3-level
Drive signal for synchronous rectification	-	✓
Adjustable dead time	-	✓
External latch-off and OTP	-	✓
Target application	LCD-TV, audio, etc.	Server, PC, LCD-TV, etc.

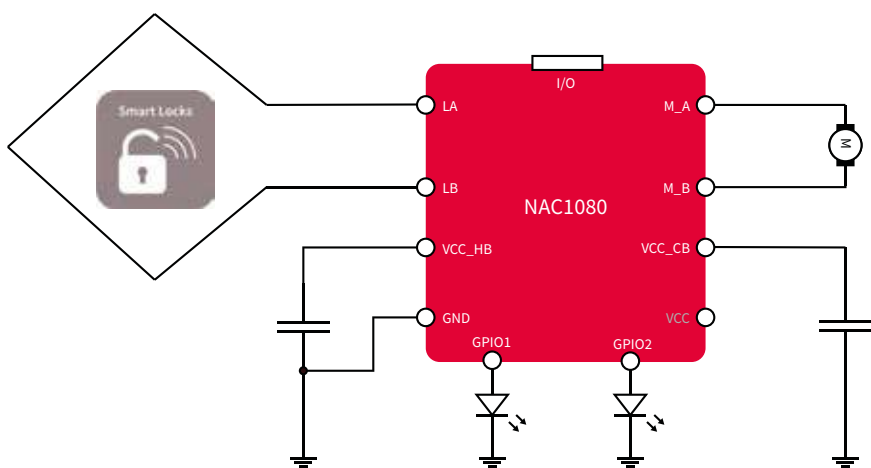
Product		Frequency - f_{sw}	Dead time	Current drives	Package
ICE1HS01G-1	LLC resonant (no SR)	30 kHz-600 kHz	380 ns	1.5 A	DSO8
ICE2HS01G	Resonant LLC half-bridge controller IC with integrated synchronized rectifier control (LLC resonant + SR)	30 kHz-1 MHz	100 ns-1000 ns	0.3 A	DSO-20

NAC1080 – NFC smart actuation controller

The **NAC1080*** is an NFC actuation controller with integrated half-bridge and energy harvesting modules, enabling cost effective development of passive smart actuators like passive locks. The low-power Arm® Cortex®-M0 based microcontroller with integrated NFC frontend, motor driver, and energy harvesting function enables customers to develop smart actuation devices with minimum system BOM requirement.

The flexible IC architecture and the smart partitioning between hardware and software enable customers to maximize software-defined functions. Furthermore, the **NAC1080** includes hardware security functions such as a secure area in flash, a 128 bit AES accelerator, and a true random generator. A separate secure element can be connected via the digital interface on demand.

Users can program this **NAC1080** with the industry-wide standard solutions for Cortex®-M0 processors. Especially for the smart lock application, **SDK** packages for firmware and mobile application development in both Android and iOS systems are available to support a fast development cycle.



Applications

- > Passive/active NFC lock
- > Emergency power source for battery devices
- > NFC configuration of electronic devices

Features and benefits

Key features
> NFC interface compliant to ISO 14443 type A
> Arm® 32 bit Cortex®-M0 microcontroller core
> Dual-operation mode: passive or battery mode
> 60 kB NVM, 16 kB RAM, 16 kB boot ROM
> Integrated H-bridge
> Energy harvesting output
> 128-bit AES accelerator, true random number generator

Key benefits
> A single-chip solution to build batteryless NFC actuators, like passive lock
> Batteryless IoT devices without battery exchange efforts and costs
> Intuitive connection via smartphone to enable cloud-based business models
> Minimum system BOM for easy and cost effective implementation

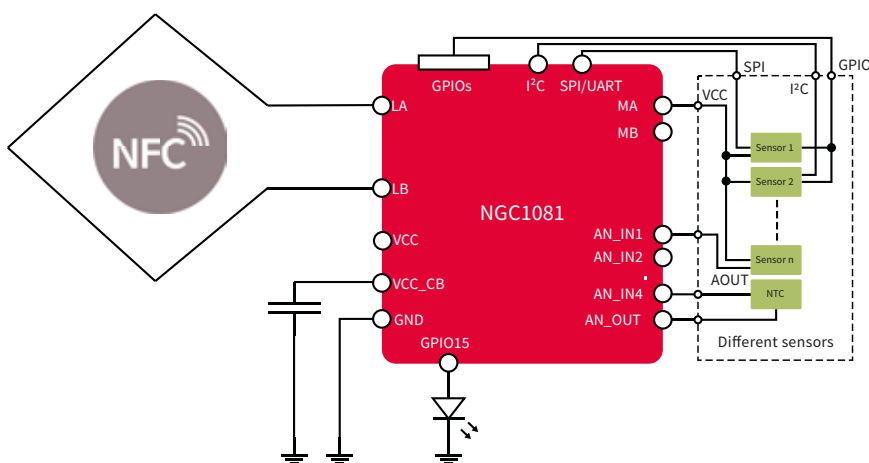


NGC1081 – NFC smart sensing controller

The NGC1081* is an NFC sensing controller with an integrated temperature sensor and ADC/DAC sensing unit in addition to the features provided by [NAC1080](#). The low-power Arm® Cortex®-M0 based microcontroller with integrated NFC connectivity, sensing unit, and energy harvesting function in one device enables customers to develop miniaturized smart edge computing/sensing devices with minimum system BOM requirement.

NGC1081 works in both passive mode and battery mode. In passive mode, it can communicate with a mobile phone wirelessly while at the same time harvesting energy from the NFC field to power the whole sensing system including the IC and its connected sensors. Working in battery mode, it simplifies the implementation of many sensing applications like temperature, humidity, and vibration tracking devices. With the smartphone as the human interaction interface, the system functions are widely extended to cloud functionalities, such as uploading data and data analysis on the cloud.

NGC1081 has a 12-bit SAR ADC and a 10-bit DAC. It provides one analog output (DAC) and four analog inputs (ADC). The ADC has three sample and hold stages, which allow parallel signal sampling. A temperature sensor is integrated as well. Users can program the NGC1081 with the industry-wide standard solutions for Cortex®-M0 processors.



Applications

- > Passive sensor device, inlay
- > Medical, healthcare sensor patch
- > Data logger, temperature logger
- > Radiator thermostat
- > Galvanic isolated sensor front end

Features and benefits

Key features
> NFC interface compliant to ISO 14443 type A
> Arm® 32-bit Cortex®-M0 microcontroller core
> Dual-operation mode: passive or battery mode
> 60 kB NVM, 16 kB RAM, 16kB boot ROM
> 12-bit SAR ADC, 10-bit DAC
> Integrated temperature sensor
> Integrated H-bridge
> Energy harvesting output
> 128-bit AES accelerator, true random number generator

Key benefits
> A single-chip solution to build a batteryless smart sensor for miniaturized design with low BOM cost
> Multiple power supply options for sensors: GPIO for low current or energy harvesting output for high current
> Natural galvanic isolated sensing interface for applications with direct human body contact
> Intuitive connection via smartphone to enable cloud-based business models





DC-DC converters

Highest density end-to-end power management solutions

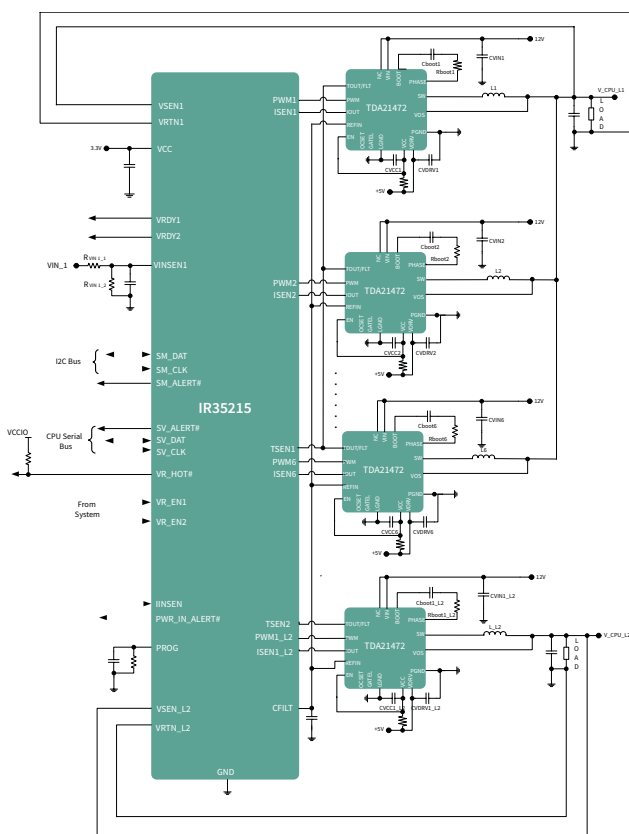
As the innovation leader for power semiconductor and energy efficiency technologies, we are continually developing and working on the best solutions for your applications. Our DC-DC converter portfolio includes integrated power stages, switching regulators, integrated POL converters and integrated POL voltage regulators, as well as digital multiphase controllers and digital power controllers (see [XDPP1100](#) digital power controller family).

www.infineon.com/power-stages

OptiMOS™ powerstage

60 A and 70 A integrated power stages with integrated current and temperature telemetry

Infiniteon's integrated OptiMOS™ power stage family contains a synchronous buck gate driver IC which is co-packed with control and synchronous MOSFETs and a Schottky diode to further improve efficiency. The package is optimized for PCB layout, heat transfer, driver/MOSFET control timing, and minimal switch node ringing when layout guidelines are followed. The paired gate driver and MOSFET combination enables higher efficiency at lower output voltages required by cutting-edge CPU, GPU, ASIC, and DDR memory designs. The TDA21472 integrated power stages internal MOSFET current sense algorithm, with integrated temperature compensation, achieves superior current sense accuracy versus best-in-class controller-based inductor DCR sense methods. Up to 1.0 MHz switching frequency enables high performance transient response, allowing miniaturization of output inductors, as well as input and output capacitors while maintaining industry-leading efficiency. The TDA21472 is optimized for CPU core power delivery in server applications. The ability to meet the stringent requirements of the server market also makes the TDA21472 ideally suited for powering GPU, ASIC, DDR memory, and other high current designs.



Features

- › Integrated driver, Schottky diode, control MOSFET and synchronous MOSFET
- › 5 mV/A on-chip MOSFET current sensing with temperature compensated reporting
- › Input voltage (V_{in}) range of 4.5 to 15 V
- › V_{CC} and V_{DR} V supply of 4.5 to 7 V
- › Output voltage range from 0.25 up to 5.5 V
- › Output current capability of 70 A
- › Operation up to 1.0 MHz
- › V_{CC} undervoltage lockout (UVLO)
- › 8 mV/°C temperature analog output and thermal flag pull-up to 3.3 V
- › Overtemperature protection (OTP)
- › Cycle-by-cycle self-preservation overcurrent protection (OCP)
- › MOSFET phase fault detection and flag
- › Preliminary overvoltage protection (pre-OVP)
- › Compatible with 3.3 V tri-state PWM input
- › Body-Braking™ load transient support through PWM tri-state
- › Diode emulation mode (DEM) for improved light-load efficiency
- › Efficient dual-sided cooling
- › Small 5.0 x 6.0 x 0.9 mm PQFN package

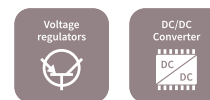
Applications

- › High-frequency, high-current, low-profile DC-DC converters
- › Voltage regulators for CPUs, GPUs, ASICs, and DDR memory arrays

Part type	Package	I_{out} [A]	V_{in} [V]	V_{out} [V]	Switching frequency [MHz]
TDA21472	5x6 x 0.9 mm PQFN	70	4.5 to 15	0.25 to 5.5	1.0
TDA21462*	5x6 x 0.9 mm PQFN	60	4.5 to 15	0.25 to 5.5	1.0

www.infineon.com/integrated-powerstages

*For more information on the product, contact our product support



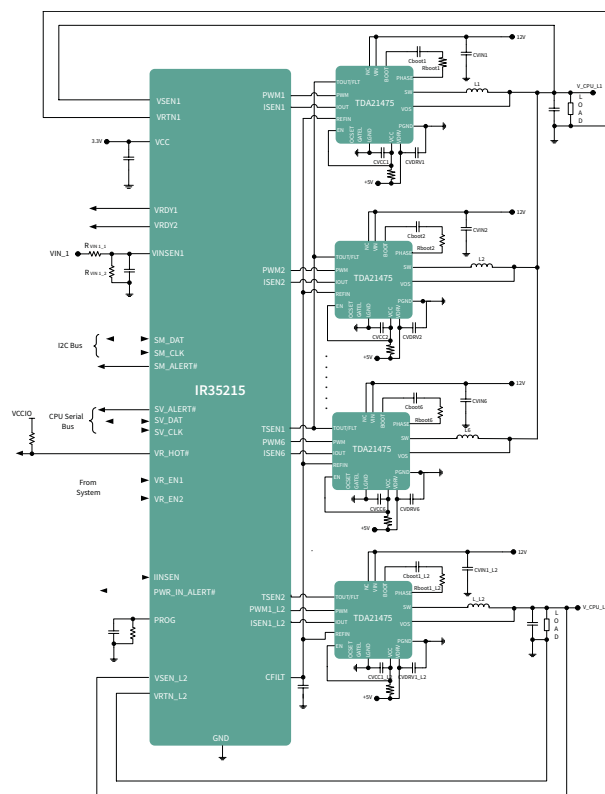
For more details on the product, click on the part number, visit infineon.com or contact our [product support](#).



OptiMOS™ power stage

70 A power stage with exposed top for improved thermal performance

Infiniteon's **TDA21475** exposed-top power stage contains a low quiescent-current synchronous buck gate driver IC co-packaged with high-side and low-side MOSFETs. The package is optimized for PCB layout, heat transfer, driver/MOSFET control timing, and minimal switch node ringing when layout guidelines are followed. The gate driver and MOSFET combination enables higher efficiency at the lower output voltages required by cutting-edge CPU, GPU, and **DDR** memory designs. The **TDA21475** internal MOSFET current sense algorithm with temperature compensation achieves superior current sense accuracy versus best-in-class controller-based inductor DCR sense methods. Protection includes cycle-by-cycle overcurrent protection with programmable threshold, V_{CC}/V_{DRV} UVLO protection, bootstrap capacitor undervoltage protection, phase fault detection, IC temperature reporting, and thermal shutdown. The **TDA21475** also features auto replenishment of the bootstrap capacitor to prevent over-discharge. The **TDA21475** features a deep-sleep power-saving mode, which greatly reduces the power consumption when the multiphase system enters PS3/PS4 mode. Operation at switching frequency as high as 1.5 MHz enables high performance transient response, allowing reduction of output inductance and output capacitance while maintaining industry-leading efficiency. The **TDA21475** is optimized for CPU core power delivery in server applications. The ability to meet the stringent requirements of the server market also makes the **TDA21475** ideally suited for powering GPU and **DDR** memory designs.



Features

- › Co-packaged driver, high-side and low-side MOSFETs
- › 5 mV/A on-chip MOSFET current sensing with temperature compensated reporting input voltage (V_{IN}) range of 4.25 to 16 V
- › V_{CC} and V_{DRV} supply of 4.25 to 5.5 V
- › Output voltage range from 0.25 up to 5.5 V output current capability of 70 A operation up to 1.5 MHz
- › V_{CC}/V_{DRV} undervoltage lockout (UVLO) bootstrap capacitor undervoltage protection 8 mV/°C temperature analog output
- › Thermal shutdown and fault flag
- › Cycle-by-cycle overcurrent protection with programmable threshold and fault flag MOSFET phase fault detection and flag
- › Auto replenishment of bootstrap capacitor
- › Deep-sleep mode for power saving
- › Compatible with 3.3 V tri-state PWM input Body-Braking™ load transient support Small 5x6 x 0.65 mm PQFN package
- › Lead-free RoHS compliant package
- › Integrated driver, Schottky diode, control MOSFET and synchronous MOSFET

Applications

- › High-frequency, high-current, low-profile DC-DC converters
- › Voltage regulators for CPUs, GPUs, ASICs, and **DDR** memory arrays

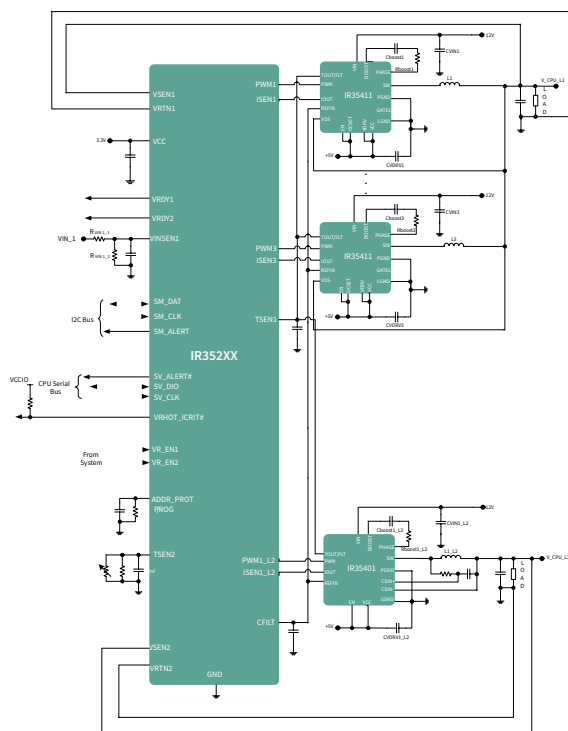
Part type	Package	I_{out} [A]	V_{in} [V]	V_{out} [V]	Switching frequency [MHz]
TDA21475	5x6 x 0.9 mm PQFN	70	4.25 to 16	0.25 to 5.5	1.5



OptiMOS™ power stage

20 A power stage with integrated current sense

Infineon's IR35401 integrated power stage contains a synchronous buck gate driver IC, which is co-packaged with control and synchronous MOSFETs and a Schottky diode to further improve efficiency. The package is optimized for PCB layout, heat transfer, driver/MOSFET control timing, and minimal switch node ringing when layout guidelines are followed. The paired gate driver and MOSFET combination enables higher efficiency at lower output voltages required by cutting-edge CPU, GPU and DDR memory designs. The IR35401 power stage features an integrated current sense amplifier to achieve superior current sense accuracy against best-in-class controller-based inductor DCR sense methods while delivering the clean and accurate current report information. The protection features inside IR35401 include V_{CC} UVLO and thermal flag. IR35401 also features an auto replenishment of the bootstrap capacitor to prevent the bootstrap capacitor from overdischarging. The IR35401 supports deep-sleep mode and consumes $<100 \mu A$ V_{CC} bias current when the EN pin is pulled low. Up to 1.5 MHz switching frequency enables high-performance transient response, allowing miniaturization of output inductors, as well as input and output capacitors while maintaining industry-leading efficiency. When combined with Infineon's digital controllers, the IR35401 incorporates the Body-Braking™ feature through PWM tri-state which enables reduction of output capacitors. The IR35401 is optimized for low current CPU rails in server applications. The ability to meet the stringent requirements of the server market also makes the IR35401 ideally suited for powering GPU and DDR memory rails.



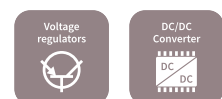
Applications

- › General purpose POL DC-DC converters
- › Voltage regulators for CPUs, GPUs, ASICs, and DDR memory arrays

Features

- › Integrated driver, control MOSFET and synchronous MOSFET
- › Integrated bootstrap synchronous PFET
- › Inductor DCR current sensing with temperature compensation
- › Input voltage (V_{IN}) range from 4.25 to 16 V
- › V_{CC} supply of 4.25 to 5.5 V
- › Output voltage range from 0.5 to 3 V or up to 5.5 V if the internal current sense amplifier is not used
- › Local lossless inductor current sensing with improved noise immunity and accuracy
- › Single reference based current reporting output
- › Output current capability of 20 A
- › Operation up to 1.5 MHz
- › V_{CC} undervoltage lockout
- › Overtemperature and V_{CC} UVLO fault communication to controller via TOUT pin
- › Compatible with 3.3 V tri-state PWM input
- › Body-Braking™ load transient support through PWM tri-state
- › Auto replenishment on BOOST pin
- › Low operating quiescent current and $<100 \mu A$ when disabled
- › Small 4 x 5 x 0.9 mm PQFN package
- › Lead-free RoHS compliant package

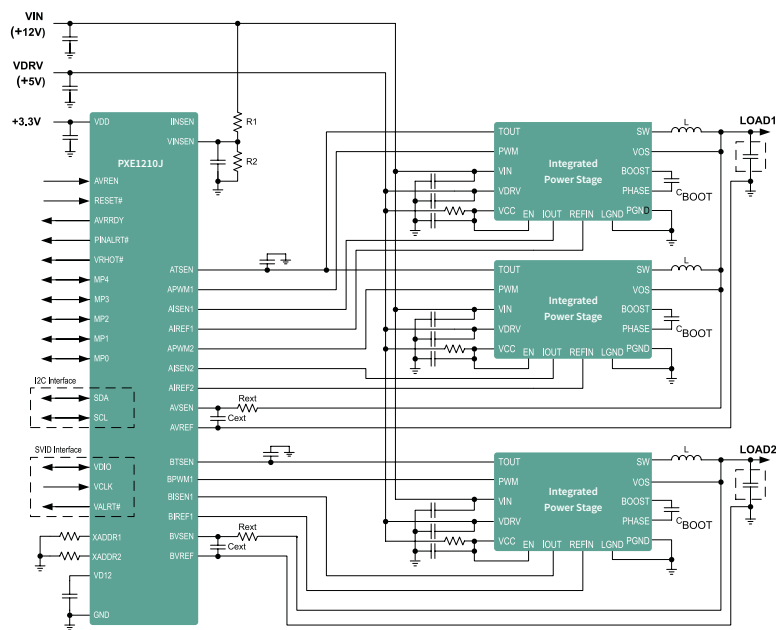
Part type	Package	I_{out} [A]	V_{in} [V]	V_{out} [V]	Switching frequency [MHz]
IR35401	4 x 5 x 0.9 mm PQFN	20	4.25 to 16	0.5 to 5.5	1.5



OptiMOS™ power stage

25 A, 35 A, 40 A integrated power stages with highest efficiency on smallest form factor

Infineon's TDA21240 power stage is a multi-chip module that incorporates Infineon's premier MOSFET technology for a single high-side and a single low-side MOSFET coupled with a robust, high-performance, high switching frequency gate driver in a single PG-IQFN-30-2 package. The optimized gate timing allows for significant light-load efficiency improvements over discrete solutions. When combined with Infineon's family of digital multiphase controllers, the TDA21240 forms a complete core voltage regulator solution for advanced micro and graphics processors as well as point-of-load applications.



Features

- › For synchronous buck converter step down voltage applications
- › Maximum average current of 40 A
- › Input voltage range +4.5 V to +16 V
- › Power MOSFETs rated 25 V
- › Fast switching technology for improved performance at high switching frequencies (> 500 kHz)
- › Remote driver disable function
- › Includes bootstrap diode
- › Undervoltage lockout
- › Shoot through protection
- › +5 V high-side and low-side MOSFETs driving voltage
- › Compatible to standard +3.3 V PWM controller integrated circuits
- › Tri-state PWM input functionality
- › Small package: PG-IQFN-30-2 (4 x 4 x 1 mm)
- › RoHS compliant
- › Thermal warning

Applications

- › Desktop and server VR buck converter
- › Single-phase and multiphase POL
- › CPU/GPU regulation in notebook, desktop graphics cards, DDR memory, graphic memory
- › High power density voltage regulator modules (VRM)
- › Qualified for DC-DC industrial applications based on JEDEC (JESD47, JESD22, J-STD20)
- › General purpose POL DC-DC converters

Part type	Package	I _{out} [A]	V _{in} [V]	Switching frequency [MHz]
TDA21242	4 x 4 x 1 mm PQFN	25	4.5 to 16	1.0
TDA21241	4 x 4 x 1 mm PQFN	35	4.5 to 16	1.0
TDA21240	4 x 4 x 1 mm PQFN	40	4.5 to 16	1.0



Integrated POL voltage regulators

Highest density high efficiency integrated POL (IPOL) for smart enterprise systems

Infiniteon's integrated POL switching converters deliver benchmark efficiency and dramatically reduce system size. Solutions up to 35 A are available in compact PQFN packages. Target applications include server, storage, routers and switches, telecom base stations, digital home media, mobile computing and embedded data processing. Solutions with and without PMBus digital communication are available in single output and multi-rail format.

Point-of-load products – how to choose

DC-DC products
 1 to 35 A

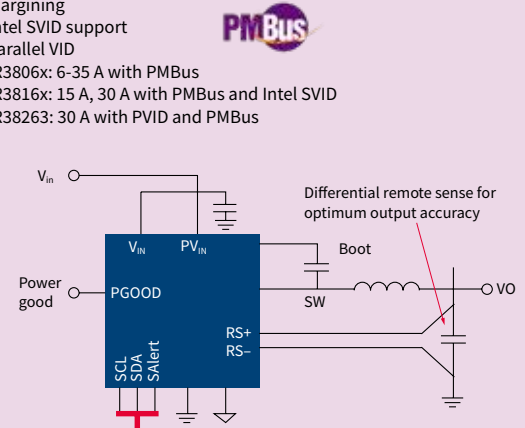
PMBus digital IPOL

Constant on-time IPOL

IPOL with digital interface

Easy/light-load efficiency
IR3883MTRPBF (3 A), IR3888MTRPBF (25 A),
IR3889MTRPBF (30 A), IR3887MTRPBF* (30 A)

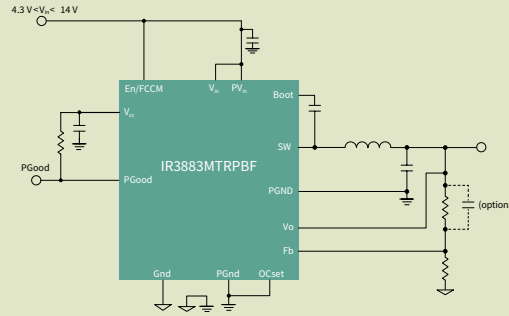
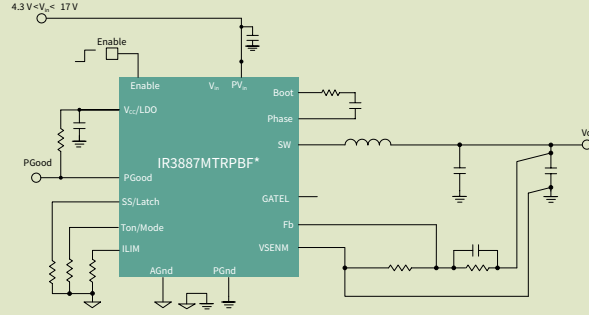
- > Telemetry
- > Margining
- > Intel SVID support
- > Parallel VID
- > IR3806x: 6-35 A with PMBus
- > IR3816x: 15 A, 30 A with PMBus and Intel SVID
- > IR38263: 30 A with PVID and PMBus



Differential remote sense for optimum output accuracy

Digital mode: I2C/PMBus interface

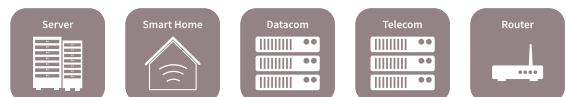
PMBus IC capabilities	
Inventory	Device ID
Configuration	On/off configuration fault/warnings
Control	Sequencing delay/ramp fault response
Telemetry	V_{out} , I_{out} , power temperature, peak values
Status	Comms, data, temps

Ready-to-go reference designs and the on-line PowerDesk simulator simplify the task of designing regulated voltage rails. Different control topologies are available to meet an application's specific requirements.

www.infineon.com/ipol
www.infineon.com/analog-ipol

*Coming soon



For more details on the product, click on the part number, visit infineon.com or contact our [product support](#).

Integrated point-of-load converters IR3806x series (6 A/15 A/25 A/35 A)

Digital interface IPOL voltage regulators

The digital interface IPOL devices are easy-to-use, fully integrated and highly efficient DC-DC regulator offering I2C/PMBus, parallel VID, Intel SVID. The on-board PWM controller and MOSFETs make the family a space-efficient solution, providing accurate power delivery for low output voltage and high current applications.

The IR3806x family of PMBus enabled IR MOSFET™ IPOL based IR MOSFET™ IPOL voltage regulators offers:

- › Compactness of integrated controller, driver and MOSFETs
- › High-performance analog voltage mode engine
- › Flexibility of a rich PMBus interface

The IR381(2/3)6x family features OptiMOS™ 5 for the highest efficiency and adds Intel SVID support (IR381(/3)6x) for Intel based systems or parallel VID (IR3826x) for voltage scaling or 8 programmable output voltages booting options to avoid programming at start up. Pin compatible options with and without PMBus are available to allow the flexibility of using PMBus only during evaluation or easily upgrade a system to PMBus without re-layout.

Features and benefits

Key features	Key benefits
› PMBus revision 1.2 compliant	› Only single-chip solution with extensive PMBus, parallel VID, Intel SVID support allows 50 percent space saving versus external power competition
› ≥ 66 PMBus commands	› Intel SVID support for Intel-based systems
› Wide input voltage range and single 5 V – 16 V input operations	› Parallel VID or PMBus for voltage setting and margining
› Differential remote sense	› Telemetry status via digital bus
› Ultralow jitter voltage mode engine	› Remote monitoring and update
› Operation temp: -40° to 125° C	› Parameter changes by register
	› Flexible sequencing
	› High accuracy low ripple
	› Integrated sequencing, margin, current and voltage monitoring

Digital interface IPOL

Part number	Max. current [A]	Package size [mm]	Max. V _{in}	Max. f _{sw}	Distinctive features
IR38064MTRPBF	35	5 x 7	21 V	1500 kHz	PMBus
IR38063M	25	5 x 7	21 V	1500 kHz	
IR38062M	15	5 x 7	21 V	1500 kHz	
IR38060M	6	5x6	16 V	1500 kHz	
IR38163M	30	5 x 7	16 V	1500 kHz	OptiMOS™ 5, SVID + PMBus
IR38165M	30	5 x 7	16 V	1500 kHz	OptiMOS™ 5, SVID
IR38363M	15	5 x 7	16 V	1500 kHz	OptiMOS™ 5, SVID + PMBus
IR38365M	15	5 x 7	16 V	1500 kHz	OptiMOS™ 5, SVID
IR38263M	30	5 x 7	16 V	1500 kHz	OptiMOS™ 5, PVID + PMBus
IR38265M	30	5 x 7	16 V	1500 kHz	OptiMOS™ 5, PVID
IR38164M	30	5 x 7	16 V	1500 kHz	OptiMOS™ 5, SVID + PMBus, enhanced Imon
IRPS5401M	4+4+2+2+0.5	7 x 7	14 V	1500 kHz	5 output PMIC, PMBus

www.infineon.com/ipol



For more details on the product, click on the part number, visit infineon.com or contact our [product support](#).

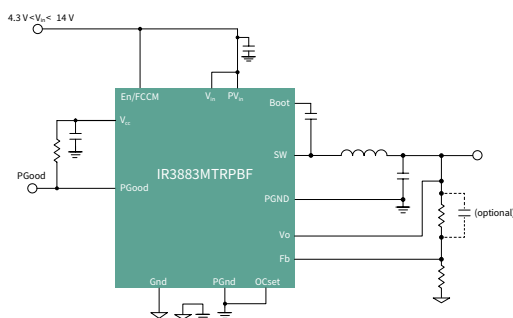


OptiMOS™ IPOL voltage regulators with COT

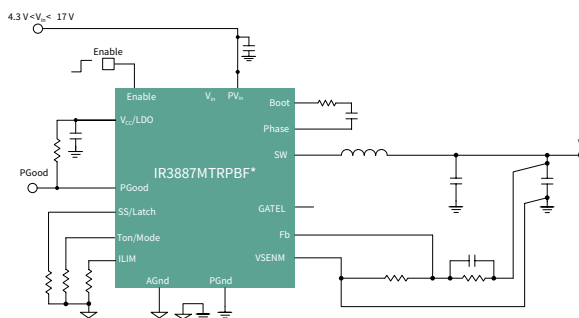
Easy-to-use with no external compensation and smallest BOM

OptiMOS™ IR3883MTRPBF, IR3887MTRPBF*, IR3889MTRPBF, and IR3888MTRPBF integrated point-of-load DC-DC devices are easy-to-use, fully integrated and highly efficient DC-DC regulators that operate from a wide input voltage range and provide up to 30 A continuous current. The devices increase efficiency and power density and simplify design for POL applications in server, enterprise storage, netcom router and switches, datacom and telecom base stations.

Block diagram IR3883M



Block diagram IR3887M (30 A)



Main benefits

Main benefits
> Compensation free and stable with all ceramic caps
> Scalable solution from 3 A up to 40 A
> For designs requiring high density, low cost and easy design, the family includes a 3 A device with enhanced stability constant-on-time (COT) engine that does not require external compensation enabling easy designs and fast time to market.
> Quiescent current down to 5 μ A
> Overload, overtemperature, short circuit and reverse-polarity protection
> Low current consumption
> Extended temperature range -40°C ... +125°C

Analog interface IPOL

Part number	Max. current [A]	Package size [mm]	Max. V_{in}	Max. f_{sw}	Distinctive features
IR3883MTRPBF	3	3 x 3	14 V	800 kHz	Constant-on-time (COT)
IR3823AMTRPBF	3	3.5 x 3.5	17 V	2000 kHz	
IR3899AMTRPBF	9	4 x 5	17 V	2000 kHz	
TDA38820	20	4 x 5	17 V	2000 kHz	
IR3888MTRPBF	25	5x6	17 V	2000 kHz	
IR3447AMTRPBF	25	5x6	17 V	600 kHz	
IR3887MTRPBF	30	4 x 5	17 V	2000 kHz	
IR3889MTRPBF	30	5x6	17 V	2000 kHz	
TDA38840	40	5x6	17 V	2000 kHz	
IR3846AMTRPBF	40	5 x 7	17 V	600 kHz	

www.infineon.com/ipol

*Coming soon



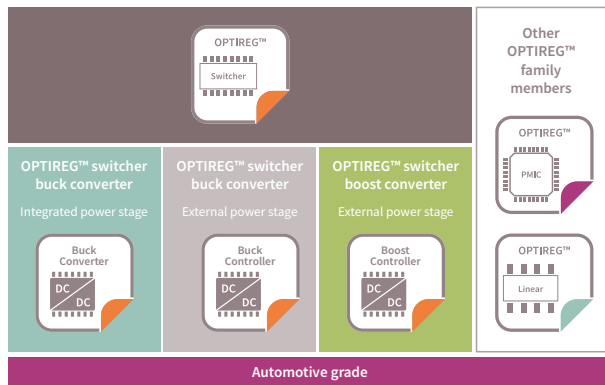
For more details on the product, click on the part number, visit infineon.com or contact our [product support](#).



OPTIREG™ switcher power supply ICs

High-efficiency solutions for harsh environments

Infiniteon offers optimized DC-DC converters that are designed specifically for harsh automotive environments. Wide input voltage range, optimized feature set, and extended qualification make our DC-DC converters perfectly suitable for multiple applications. Our DC-DC portfolio contains various products that operate in step-down (buck), step-up (boost), or a combination of those (buck-boost/sepic). High integration, efficiency, and flexibility are the main benefits of our products.



Features and benefits

Key features	Key benefits
<ul style="list-style-type: none"> Input voltage up to 60 V Output currents going from 500 mA up to 10 A Switching frequencies ranging from 100 kHz to 2.2 MHz Shutdown quiescent current down to below 2 μA Current limitation and overtemperature protection Enable feature 	<ul style="list-style-type: none"> High-efficiency regulation Only a few external components needed for stable regulation Perfectly suited for regulation in pre-/post-regulation power supply architectures

OPTIREG™ switcher

Product name	Input voltage $V_{in(oh)}$ [V]	Output current [mA]	Quiescent current (EN = ON) [mA]	Output voltage V_o [V]	Synchronous topology	Accuracy [%]	Switching frequency PWM f_{sw} [kHz]	Enable	PFM operation	Reset	Watchdog	Early warning	Package
Buck converter (integrated MOSFET)													
TLE6365	8.00 ... 40.00	400	1500	5.00		2	100			●			DSO-8
TLE8366	4.75 ... 45.00	1800	7000	Adj., 3.30, 5.00		2(4)	200 ... 530	●					DSO-8 EP
TLS4120D0	3.70 ... 36.00	2000	0.032	Adj., 3.30, 5.00	●	2	380 ... 2800	●	●	●			TSDSO-14 EP
TLS4125D0	3.70 ... 36.00	2500	0.032	Adj., 3.30, 5.00	●	2	380 ... 2800	●	●	●			TSDSO-14 EP
TLF50281	4.75 ... 45.00	500	0.045	5.00		2	800 ... 2200	●	●	●	●		SSOP-14 EP
TLF50251	4.75 ... 45.00	500	0.045	5.00		2	800 ... 2200	●	●	●			SSOP-14 EP
TLF50241	4.75 ... 45.00	500	0.045	5.00		2	800 ... 2200		●	●			SSOP-14 EP
TLF50211	4.75 ... 45.00	500	0.045	5.00		2	800 ... 2200	●	●				SSOP-14 EP
TLF50201	4.75 ... 45.00	500	0.045	5.00		2	800 ... 2200		●				SSOP-14 EP
Buck controller (external MOSFET)													
TLE6389-2GV	5.00 ... 60.00	2300	0.120	Adj.		3	250 ... 530	●	●	●		●	DSO-14
TLE6389-2GV50	5.00 ... 60.00	2300	0.120	5.00		3	250 ... 530	●	●	●		●	DSO-14
TLE6389-3GV50	5.00 ... 60.00	2300	0.120	5.00		3	250 ... 530	●	●	● ¹⁾		●	DSO-14
TLF51801	4.75 ... 45.00	Adj. max. 10,000	<2.000 μ A	1.20– D_{max} * V_s	●	2	100 ... 700	●					SSOP-14 EP
Boost controller													
TLE8386-2 ²⁾	4.75 ... 45.00	dep. on V_o	7000	Adj. (max. 9-times of V_s)		4	100 ... 500	●					SSOP-14 EP

www.infineon.com/optireg-switcher

- 1) Different voltage reset hysteresis
- 2) LS-sense-booster

For more details on the product, click on the part number, visit infineon.com or contact our [product support](#).

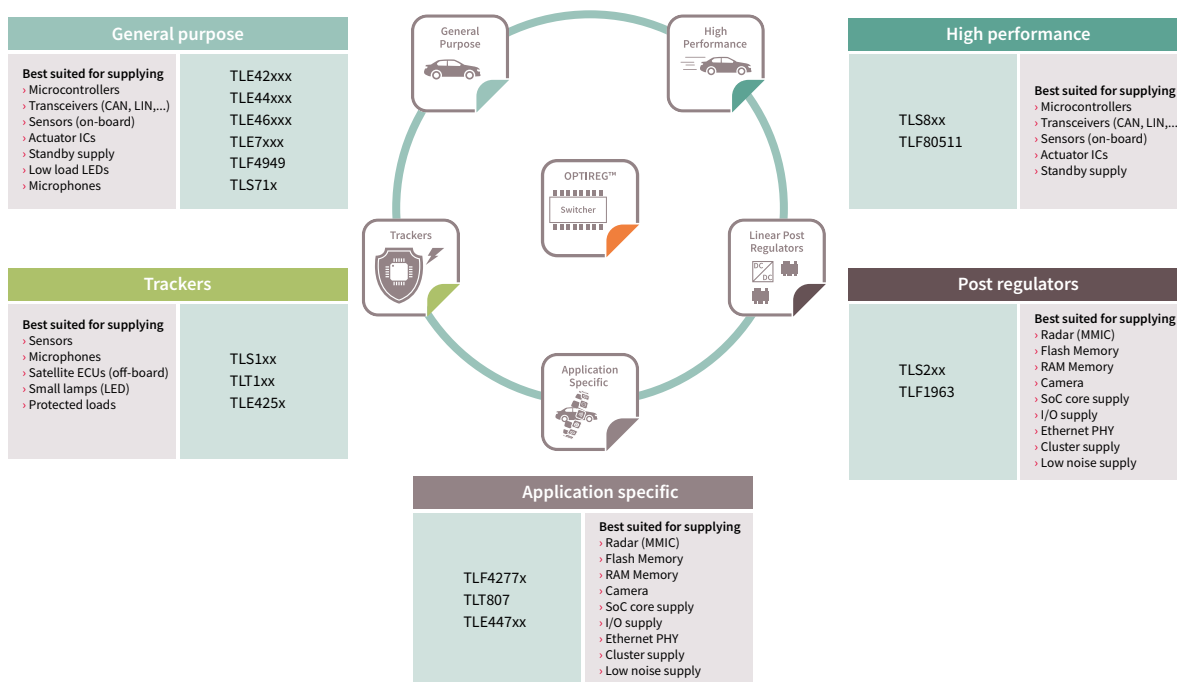


OPTIREG™ linear voltage regulators

Energy-efficient voltage regulators and trackers

Our linear voltage regulators and trackers help to reduce energy consumption, extending operating time and minimizing operating costs across all kinds of systems. The wide supply voltage range, low quiescent current, rich protective feature set and choice of packages make our devices the perfect fit across a broad application spectrum, apart from automation systems as well for health care, traffic, power tools, lighting and many other multi-market systems. Our trackers are ideal as additional supplies for off-board loads to increase system reliability

OPTIREG™ linear voltage regulators (selection tree)



Features and benefits

Key features
> Input voltage up to 60 V
> Output current up to 1.5 A
> Output voltage adjustable or fixed to specific values
> Quiescent current down to 5 μ A
> Overload, overtemperature, short circuit and reverse-polarity protection
> Low current consumption
> Extended temperature range -40°C ... +125°C

Key benefits
> Pin-to-pin compatibility with industry-standard parts
> Very low dropout voltage trackers for optimized heat distribution and external protection
> Trackers for maximum system cost reduction
> Small robust packages

Infinion's microcontroller families and industrial voltage regulators

Microcontroller family	Input voltage [V]	Input current (max.) [mA]	Voltage regulator
XMC1000 family	1.8 to 5.5	<100	TLS810B1EJ, TLS810A1LD, TLE4266-2G, TLS820D3EL
XMC4000 family	3.3	<500/300	TLF80511x, TLE42764D, TLS835D2EL, TLS850FxTA
XC8xx	3.3 to 5.0	200	TLS810A1LD, TLS810B1EJ, TLE42764D, TLE4296-2G
XE166/XC2000	1.5 and 3.3 or 5.0	100	TLS810A1LD, TLS810B1EJ, TLE42764D, TLE4296-2G
TriCore™	1.5 to 3.3	>400	TLF80511TF/EJ / TC, TLE42764D, TLS850FxTA



XDPP1100

The smallest digital power controller with PMBus interface

The **XDPP1100** is Infineon's highly integrated and programmable digital power supply controller. This device offers advanced power control solution for 48 V DC-DC power applications with isolated topologies. The **XDPP1100** device features many optimized power-processing blocks and pre-programmed peripherals to enhance the performance of isolated DC-DC converters, reduce external components and minimize firmware development effort. The controller also provides an accurate telemetry and power management bus (PMBus 1.3) interface for system communication, advance power conversion and monitoring. Integrated current sensing capability and compact chip size (24-pin 4 mm²) can greatly reduce the solution size by eliminating various external components. A combination of high-performance AFE, state machine based digital control loop and an Arm® Cortex® M0 integrated in a single chip makes the **XDPP1100** a highly integrated, fully programmable and fastest time-to-market technology for modern high-end power systems, employed in telecom infrastructure, 48 V server motherboards, datacenter and industrial 4.0 applications.

The XDPP1100 device can be configured to support different DCDC topologies including:

- > Hard-switched full-bridge and half-bridge
- > Phase shifted full-bridge
- > Active clamp forward
- > Interleaved FB, HB and ACF
- > Current-doubler
- > Pre-buck or post-buck configuration

Infineon offers support tools such as a complementary graphical user interface (GUI) that allows customers to configure and monitor key parameters. In addition, developers have full control of their application and FW development process with commonly used Arm® based compilers.

Typical applications

- > Isolated DC-DC brick modules
- > Telecom radio power
- > 48 V point of loads
- > Non-isolated buck boost converters
- > 48 V server motherboard

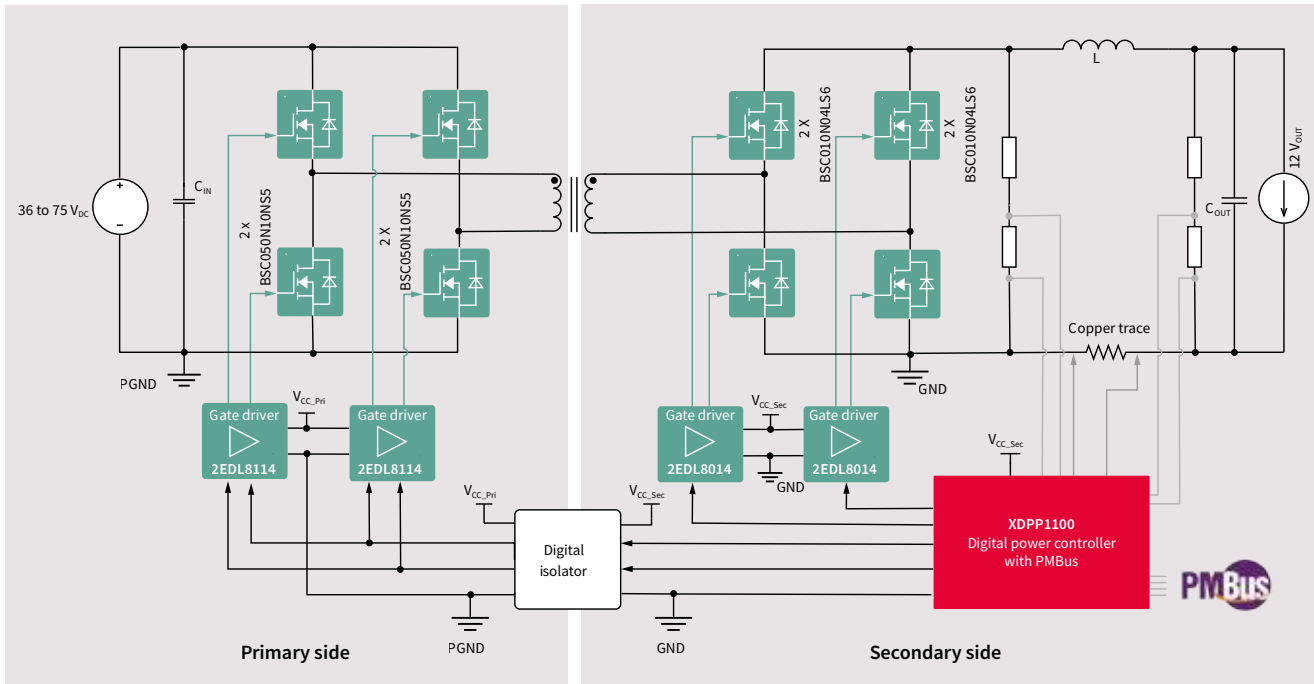
Features and benefits

Key features
> State machine based digital control for up to 2 independent voltage loops
> Configurable feedback control
> Arm® Cortex®-M0 processor
> Up to 16 configurable GPIOs
> Up to 12 high resolution digital modulated PWM outputs
> Input voltage feed-forward control scheme
> 3 high-speed voltage sense ADCs: 50 MHz 11-bit ADC with set point accuracy within ±1% overtemperature range
> 2 current sense ADCs: 25 MHz, 9-bit with 100 µV and 1.45 mV LSB
> Communication: 1 MHz I ² C/PMBus,
> Operating temperature from -40 °C to 125 °C

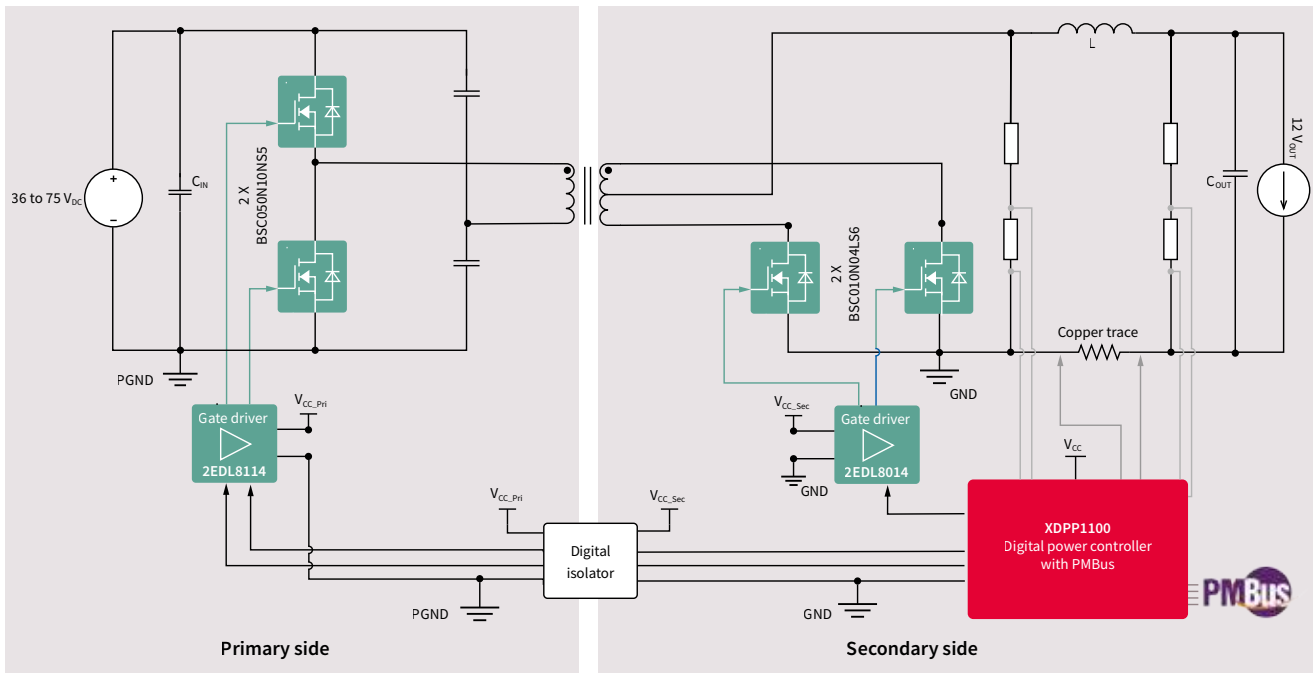
Key benefits
> Ease of use thanks to firmware-based system configuration with GUI support
> User-specific customization and software-based design changes
> Enhanced control and excellent dynamic transient performance
> Sophisticated system level fault handling
> System housekeeping i.e., fan control, LED control, sequencing, with configurable GPIOs
> High efficiency at light-load management



XDPP1100 implementation in 48 V to 12 V full-bridge isolated DC-DC converter



XDPP1100 implementation in 48 V to 12 V full-bridge isolated DC-DC converter



The XDPP1100 device is offered in two packages

VQFN 24-pin	VQFN 40-pin
4 x 4 mm	6 x 6 mm
6 PWM	12 PWM
Single loop	Dual loop



MOTIX™ 6EDL7141

Three-phase smart gate drive controller IC

The MOTIX™ 6EDL7141 is Infineon's latest three-phase motor control gate driver IC that enables development of high-performance-battery-operated products using BLDC or PMSM motors. Ideal applications include cordless power tools, gardening products, and automated guided vehicles. With over 50 programmable parameters using built-in digital SPI interface, the MOTIX™ 6EDL7141 is fully configurable to drive a wide range of MOSFET's to yield the best possible system efficiency. The MOTIX™ 6EDL7141 is also designed for maximum flexibility. With an operating voltage from 5.5-70 V and configurable gate drive sink and source current up to 1.5 A, it has the ability to drive a wide range of MOSFETs effectively to best fit the application. It has an adjustable gate driver supply voltage setting between 7 V, 10 V, 12 V and 15 V even at low battery voltage thanks to built-in dual charge pumps. The MOTIX™ 6EDL7141 also has adjustable gate driver parameters to enable control of the slew rate to minimize system EMI. All of the MOTIX™ 6EDL7141 settings can be quickly changed with the available easy-to-use GUI. The integrated buck regulator requires only an external capacitor and inductor to provide power for both the microcontroller and the Hall sensors in the motor, further reducing fault conditions.

EVAL_6EDL7141_TRAP_1SH

- > Single shunt evaluation board for trapezoidal commutation of BLDC motors with 40 V OptiMOS™ 5 PQFN and XMC1404 MCU
- > On-board programming dongle
- > Featured IC: MOTIX™ 6EDL7141

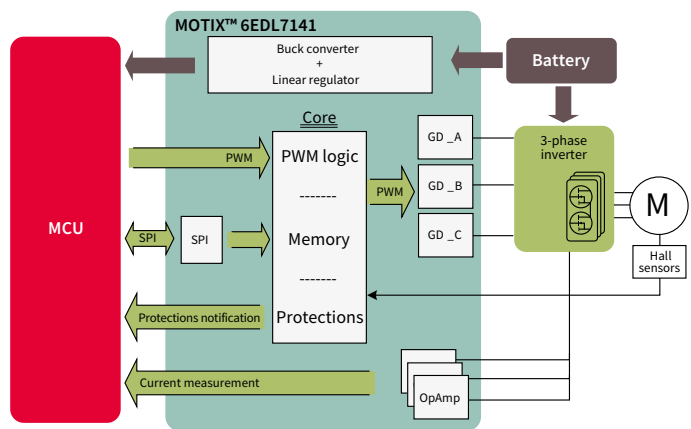


Features and benefits

Key features
> Integrated power supplies
> Adjustable slew rate
> Programmable gate drive parameters
> 3x current shunt amplifier
> Complete dedicated motor control protection suite

Key benefits
> Reduced external components and PCB area
> Optimized efficiency and EMI
> Maximum flexibility to use different inverter FETs
> Highly accurate current sense while saving external components
> Higher dynamic range to increase signal resolution
> Improve reliability and fault detection

Block diagram



Product portfolio

Part number	Package	Voltage [V]	R _{DS(on),max} * [mΩ]
6EDL7141	PG-VQFN-48-78	5.5 - 70 V	2.2

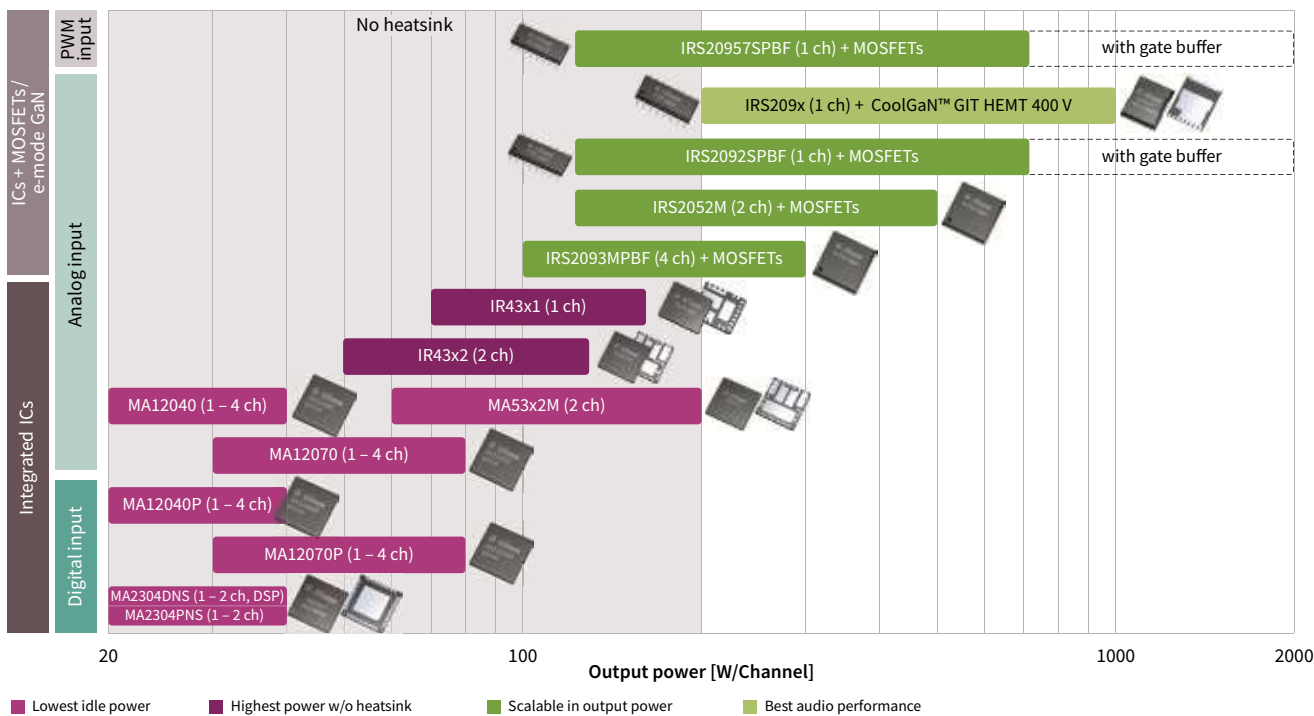
www.infineon.com/6edl7141

For more details on the product, click on the part number, visit infineon.com or contact our [product support](#).

Integrated class D audio amplifier ICs






Cooler, smaller and lighter class D audio amplifiers for great sounding products

Infiniteon's MERUS™ audio solutions enable audio designers to improve the performance of their products, while increasing efficiency and reducing solution size. Advances in semiconductor processes in combination with new innovative architectures are behind a portfolio of class D technologies that allow professional, commercial/home and portable audio applications to benefit from unparalleled performance, power density and reliability. The broad portfolio covers power ranges from 20 W to 2 kW per channel from the smallest single-chip devices and multi-chip module (MCMs) to highly scalable discrete audio amplifier solutions consisting of powerful MOSFET/CoolGa™ GIT HEMT and driver ICs combinations.



By combining our core principles, competencies, and leadership in groundbreaking power semiconductors with revolutionary audio amplifier technologies, such as MERUS™, we provide solutions that are smaller, lighter, more robust and flexible, running with less heat dissipation. In addition to outstanding quality and reliability, Infineon's amplifier solutions are designed to maximize power efficiency and dynamic range while providing best-in-class performance in product form factors that make them an optimal fit for any high-end application. These include portable/battery-powered applications, voice controlled active speakers, television sets, stereo HiFi, soundbars, monitors, power over ethernet (PoE) and multichannel systems.

Design with Infineon's solutions to benefit from:

- 
 Exceptional audio performance
- 
 Maximized power efficiency
- 
 Maximized output power
- 
 Design freedom
- 
 Fast time to market

www.infineon.com/merus

For more details on the product, click on the part number, visit infineon.com or contact our [product support](#).

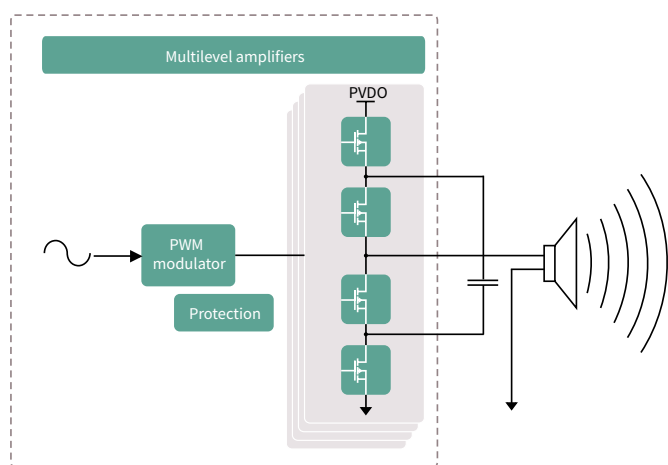


Integrated MERUS™ multilevel amplifier ICs for class D audio solutions

High power efficiency and density in small packages

With its revolutionary MERUS™ integrated multilevel class D audio amplifier ICs, Infineon is leading in efficiency and power density. Compared to traditional class D amplifier ICs, which produce only two voltage output levels, multilevel amplifier ICs use additional on-chip MOSFETs and capacitors to produce outputs with a higher signal granularity, i.e., higher switching frequencies and/or multiple output signal levels – typically up to five voltage levels

Filterless topology with “flying capacitor” of an integrated class D IC

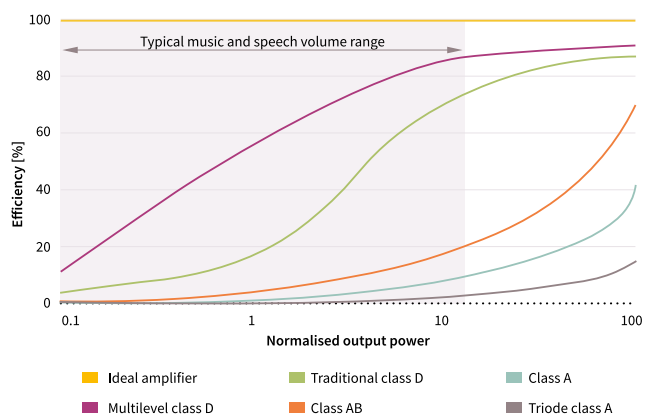


Features and benefits

Key features
> Multilevel switching technology
> Scalable signal “granularity”
> Proprietary circuits architecture

Key benefits
> Highest efficiency and power density
> Potential LC filter removal
> Low THD+N
> Cooler operation
> Low power loss
> Virtually no switching loss measurable in idle mode

Efficiency where it matters for audio reproduction



For MERUS™ integrated multilevel audio amplifier ICs, amplifier efficiency at average output power is key. As the graph on the left shows, MERUS™ multilevel amplifier is much more effective than the traditional class D amplifier, which translates into less power consumption in AC input and in battery-powered audio applications.

www.infineon.com/merus



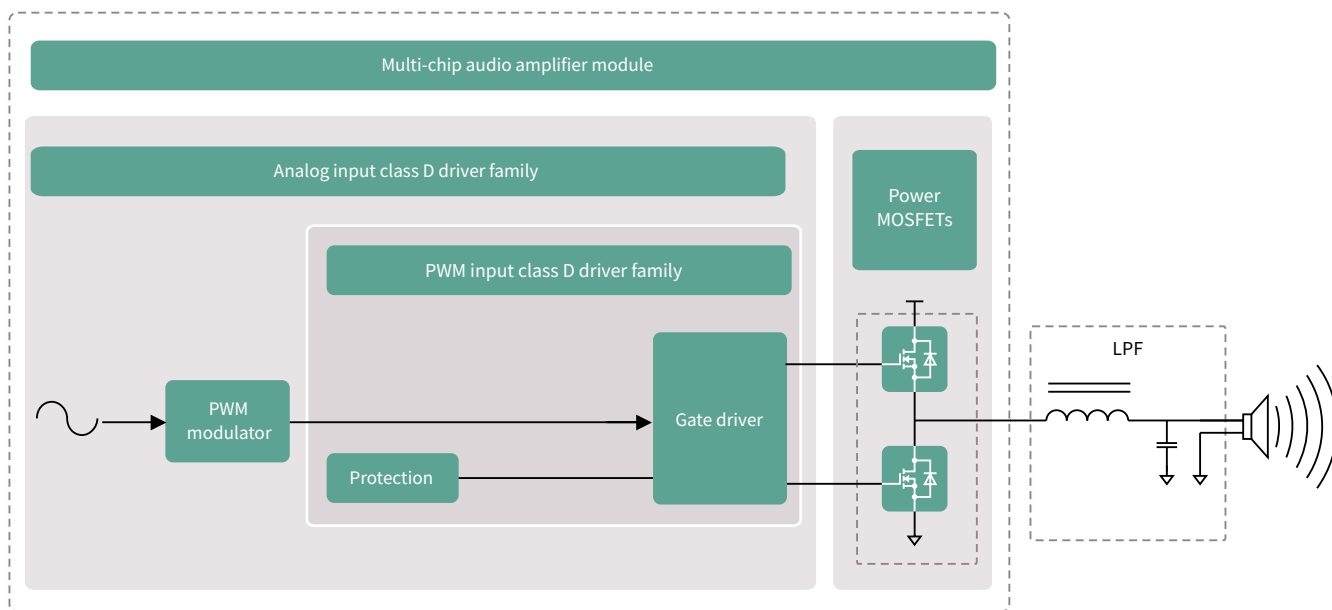
For more details on the product, click on the part number, visit infineon.com or contact our [product support](#).

MERUS™ integrated audio amplifier multi-chip modules (MCM)

Integrated components for scalable output power and superb audio performance

Multi-chip modules integrate PWM controller and power MOSFETs in a single package to offer a highly efficient, compact solution that reduces component count, shrinks PCB size up to 70 percent, and simplifies class D amplifier design.

Multi-chip audio amplifier module



Features and benefits

Key features
> Single package with integrated PWM controller and audio-performance-optimized power MOSFET
> Overcurrent protection
> Thermal shutdown
> Floating differential input
> Clip detection
> Best-in-class power efficiency and audio performance
> Lower component count, leading to design simplification
> Compatible with single supply or split rail configuration
> Click noise reduction

Key benefits
> Extended battery playback time
> Unrivaled audio performance
> Smaller solution size (BOM reduction, system level cost savings)
> Eliminated need for heatsink
> High noise immunity
> Reliable operation
> Thermal efficiency

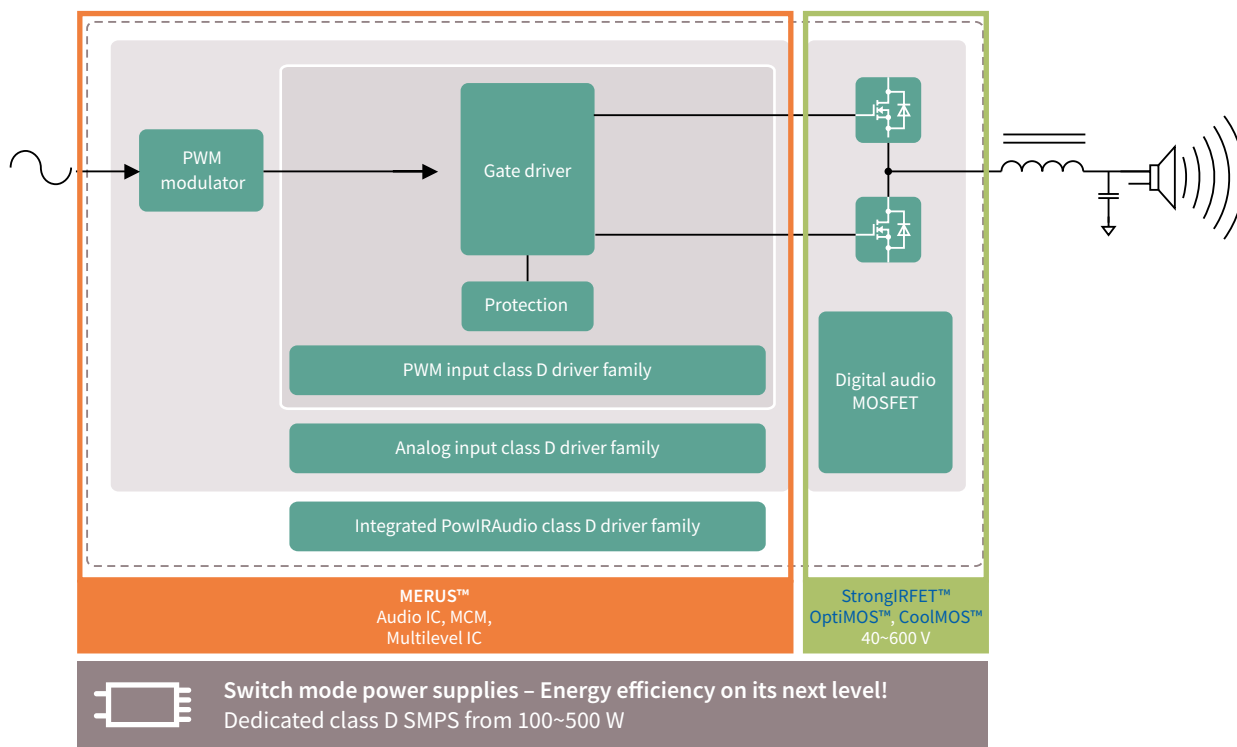


Discrete MERUS™ audio amplifier driver ICs with MOSFET and gallium nitride CoolGaN™ GIT HEMT 400 V

Scalable output power with a unified design platform

Infinion’s discrete audio solutions are scalable to various output power levels, simply by replacing the external MOSFETs or CoolGaN™ GIT HEMTs of the driver-transistor combinations. Key parameters for the transistors used in discrete class D audio applications include on-state resistance ($R_{DS(on)}$), gate charge (Q_G), and reverse recovery charge (Q_{rr}). Our products are specifically suitable for class D audio applications and optimized for these parameters to achieve maximized efficiency, THD and EMI amplifier performance. The CoolGaN™ GIT HEMT 400 V portfolio is specifically built for class D audio requirements, with high-performing SMD packages to fully utilize the benefits of gallium nitride.

Audio solution overview



Features and benefits

Key benefits
> Unified design platform
> Scalable output power up to over 2 kW per channel
> Simple yet effective - exchange of external MOSFET triggers alteration in output power level
> Best-in-class power efficiency

Key advantages
> Superior audio performance
> Increased reliability
> Unique audio experience

www.infineon.com/merus
www.infineon.com/gan



For more details on the product, click on the part number, visit infineon.com or contact our [product support](#).

Integrated class D audio amplifier IC portfolio

MERUS™ Gen2 integrated multilevel audio amplifier IC product portfolio

		MA2304DNS	MA2304PNS
Specifications	Number of audio channels	2xBTL	
	Max. peak power at 4 Ω 10% THD	2x37 W	
	Supply voltage	10-20 V	
	3-level and 5-level modulation	√	√
	Selectable power mode profiles:	Low power consumption (LPC) or high audio performance (HAP)	
	Audio input	Digital	
	HiRes audio compliant	I2S/TDM	
	Integrated DSP	√	
	Volume and dynamic range control	√	√
	Idle power dissipation Max. output and all channels switching	52 mW (LPC mode)	
	Audio performance (PMP2)	106 dB DNR 52 μVrms output noise <0.03% THD+N	
Features	Sample rates	32, 44.1, 48, 88.2, 96, 176.4, 192 kHz	
	Comprehensive protection scheme*	√	√
	Configurable for SE or PBTL operation	√	√
	I ² C communication	√	√
	Filterless implementation	√	√
	Package type	40-pin QFN package with exposed thermal pad	
	Evaluation boards	EVAL_AUDIO_MA2304DNS	EVAL_AUDIO_MA2304PNS

*All ICs carry a full protection scheme comprising undervoltage lockout, overtemperature warning/error, short circuit/overload protection, power stage pin-to-pin short circuit, error reporting through serial interface (I²C), and DC protection

MERUS™ integrated audio amplifier multi-chip modules (MCMs)

		IR4301M	IR4321M	IR4311M	IR4302M	IR4322M	IR4312M	MA5332MS
Specifications	Number of audio channels	1	1	1	2	2	2	2
	Max. power per channel	160 W	90 W	45 W	130 W	100 W	40 W	200 W
	Supply voltage	~ ± 31 V or 62 V	~ ± 25 V or 50 V	~ ± 15 V or 30 V	~ ± 31 V or 62 V	~ ± 25 V or 50 V	~ ± 16 V or 32 V	~ ± 40 V or 80 V
	Max. PWM frequency	500 kHz	500 kHz	500 kHz	500 kHz	500 kHz	500 kHz	500 kHz
Features	Differential audio input	√	√	√	√	√	√	√
	Overcurrent protection	√	√	√	√	√	√	√
	Integrated power MOSFET	√	√	√	√	√	√	√
	Voltage	80 V	60 V	40 V	80 V	60 V	40 V	100 V
	PWM controller	√	√	√	√	√	√	√
	Thermal shutdown	√	√	√	√	√	√	√
	Click noise reduction	√	√	√	√	√	√	√
	Clip detection				√	√	√	√
	Package type	5x6 mm QFN	5x6 mm QFN	5x6 mm QFN	7 x 7 mm QFN	7 x 7 mm QFN	7 x 7 mm QFN	7 x 7 mm QFN
	Evaluation boards	IRAUDAMP12 IRAUDAMP19	IRAUDAMP21	IRAUDAMP15	IRAUDAMP16 IRAUDAMP17	IRAUDAMP22	IRAUDAMP18	EVAL_AUDAMP25 REF_MA5332BTLSPS



MERUS™ discrete audio amplifier driver IC product portfolio

Specifications	Number of audio channels	IRS20965S	IRS20957SPBF	IRS2092SPBF	IRS2052M	IRS2093MPBF	IRS2452AM
	Max. power per channel	500 W	500 W	500 W	300 W	300 W	500 W
	Supply voltage	± 100 V	± 100 V	± 100 V	± 100 V	± 100 V	± 200 V
	Gate sink/source current	2.0/2.0 A	1.2/1.0 A	1.2/1.0 A	0.6/0.5 A	0.6/0.5 A	0.6/0.5 A
Features	Overcurrent protection	✓	✓	✓	✓	✓	✓
	Overcurrent flag	✓					
	PWM input	✓	✓				
	Floating input	✓	✓	✓	✓	✓	✓
	Dead time		✓	✓	✓	✓	✓
	Protection control logic	✓	✓	✓	✓	✓	✓
	PWM controller			✓	✓	✓	✓
	Clip detection				✓		
	Click noise reduction			✓	✓	✓	✓
	Temperature sensor input				✓		✓
	Thermal shutdown				✓		
	Clock input				✓		✓
	Package type	16-pin SOIC narrow	16-pin SOIC narrow	16-pin SOIC narrow	MLPQ48	MLPQ48	MLPQ32
	Evaluation boards		IRAUDAMP4A IRAUDAMP6	IRAUDAMP5 IRAUDAMP7S IRAUDAMP7D IRAUDAMP9	IRAUDAMP10	IRAUDAMP8	IRAUDAMP23

Recommended MOSFET (through-hole) product portfolio

Output power	Recommended discrete audio driver IC	Speaker resistance		
		2 Ω	4 Ω	8 Ω
150 W	IRS2093MPBF	IRFB4019	IRFB4019	IRFI4020H-117P
200 W	IRS2052M	IRFB5615	IRFB4019	IRFI4020H-117P
300 W	IRS2092SPBF	IRFB4228PBF	IRFB4227	IRFB4229
500 W	IRS20957SPBF	IRFB4228PBF	IRFB4227	IRFB4229
750 W		IRFB4227	IRFB4229	
1000 W		IRFP4668	IRFB4229 x 2	

IRS2093MPBF works up to 150 W and IRS2052M works up to 300 W.

IRS2092SPBF and IRS20957SPBF work with all power levels listed above.

Recommended MOSFET (DirectFET™) product portfolio

Output power	Recommended discrete audio driver IC	Speaker resistance		
		2 Ω	4 Ω	8 Ω
150 W	IRS2093MPBF	IRF6645	IRF6665	IRF6775M
200 W	IRS2052M	IRF6646	IRF6775M	IRF6775M
300 W	IRS2092SPBF	IRF6644	IRF6775M	IRF6785
500 W	IRS20957SPBF	IRF6643	IRF6641	

Recommended CoolGaN™ GIT HEMT 400 V product portfolio

Package	CoolGaN™ GIT HEMT 400 V	Recommended discrete audio amplifier driver IC		
	HSOF-8-3 (TO-Leadless)		IRS20957SPBF	
	P _{max.}			Up to 200 W
	R _{DS(on),max.}			70 mΩ
OPN	IGT40R070D1 E8220			

www.infineon.com/merus

www.infineon.com/gan

For more details on the product, click on the part number, visit infineon.com or contact our [product support](#).



Recommended audio evaluation boards

Enabling fast time to market and device performance evaluation

MERUS™ integrated multilevel audio amplifier IC evaluation boards



EVAL_AUDIO_MA2304DNS*

The demonstration board EVAL_AUDIO_MA2304DNS is an evaluation and demonstration board for MERUS™ audio MA2304DNS. It contains a digital input and a variety of output and setup/selection features. It also contains an on-board power supply generator (selectable 1.8 or 3.3 V buck-converted) so only one external power supply (PVDD) is necessary. It can be controlled and programmed with its software GUI.

The board can be used for evaluating or demonstrating key features/advantages of the MERUS™ technology:

- › Energy efficiency: power losses at typical audio listening levels/ultralow idle power consumption
- › Adaptive power management system
- › Minimum output filter components: significant cost and size reduction
- › THD performance and audio quality
- › Integrated MERUS™ DSP



EVAL_AUDIO_MA2304PNS*

The demonstration board EVAL_AUDIO_MA2304PNS is an evaluation and demonstration board for MERUS™ audio MA2304PNS. It contains a digital input and a variety of output and setup/selection features. It also contains an on-board power supply generator (selectable 1.8 or 3.3 V buck-converted) so only one external power supply (PVDD) is necessary. It can be controlled and programmed with its software GUI.

The board can be used for evaluating or demonstrating key features/advantages of the MERUS™ technology:

- › Energy efficiency: power losses at typical audio listening levels/ultralow idle power consumption
- › Adaptive power management system
- › Minimum output filter components: significant cost and size reduction
- › THD performance and audio quality
- › Integrated volume and limiter processors





KIT_40W_AMPHAT_ZW

Kit board - MERUS™ audio amplifier HAT ZW class D audio amplifier 40 W for Raspberry Pi Zero W featuring MA12070P

Summary of features

- > Equipped with MERUS™ MA12070P proprietary multilevel amplifier
- > Compatible with Raspberry Pi Zero and Raspberry Pi Zero wireless
- > Power input: 5 V/2.5 A - sourced from the same single supply as the Raspberry Pi
- > No need for external or extra power supplies
- > Up to 40 W instantaneous peak output power with the Raspberry Pi official 5 V/2.5 A supply

Benefits

- > Compatibility with major streaming applications for Raspberry Pi (Volumio, JustBoom Player, Max2Play)
- > Up to 48 kHz of sample rate and 24-bit of music playback
- > Full hardware control, customization, and error monitoring through Linux Alsa mixer

Potential Applications

- > DIY on the go wireless speakers
- > DIY intelligent home audio systems



KIT_ARDMKR_AMP_40W

Kit board MA12070P audio amplifier - compatible with Arduino MKR boards

Summary of features

- > Equipped with MERUS™ MA12070P proprietary multilevel amplifier
- > Power input: 5 V/2.5 A - sourced from the same single USB-C power supply or battery pack
- > No need for external or extra power supplies
- > Up to 40 W instantaneous peak output power with a USB-C power supply or battery pack

Benefits

- > Compatible with Arduino MKRZERO and MKR1000 WIFI
- > Full hardware control and customization
- > Error monitoring through Arduino programming framework



EVAL_AUDAMP25

Number of audio channels: 2
 Output power per channel [RMS]: 200 W
 Featured class D IC: MA5332MS
 Input: analog
 OPN: EVALAUDAMP25TOBO1



DEMO_BASSAMP_60W_MA12070

Reference design demoboard MERUS™ MA12070 as musical instrument bass amplifier

Summary of features

- > 1 x 60 W at 4 Ω speaker output
- > Powered by off-the-shelf regulated wall adapter
- > 12AU7 vacuum-tube preamplifier
- > Stereo 3.5 mm AUX input
- > XLR D.I. output with ground lift switch
- > Bright switch for slap-bass sound
- > Low idle power consumption

Benefits

- > Superior sound quality
- > Modelled after classic bass amplifier topology
- > Genuine vacuum-tube preamplifier
- > Small size and scalable platform
- > Excellent efficiency



REF_MA5332BTLSPS

Number of audio channels: 1
 Output power per channel [RMS]: 200 W
 Featured class D IC: MA5332MS
 Input: analog
 OPN: REFMA5332BTLSPSTOBO1

MERUS™ integrated audio amplifier multi-chip module (MCM) evaluation boards



IRAUDAMP12

Number of audio channels: 2
Output power per channel [RMS]: 130 W
Featured class D IC: [IR4301M](#)
Input: Analog
OPN: [IRAUDAMP12](#)

IRAUDAMP17

Number of audio channels: 2
Output power per channel [RMS]: 100 W
Featured class D IC: [IR4302M](#)
Input: Analog
OPN: [IRAUDAMP17](#)

IRAUDAMP19

Number of audio channels: 2
Output power per channel [RMS]: 100 W
Featured class D IC: [IR4301M](#)
Input: Analog
OPN: [IRAUDAMP19](#)

IRAUDAMP21

Number of audio channels: 2
Output power per channel [RMS]: 135 W
Featured class D IC: [IR4321M](#)
Input: Analog
OPN: [IRAUDAMP21](#)

IRAUDAMP22

Number of audio channels: 2
Output power per channel [RMS]: 100 W
Featured class D IC: [IR4322M](#)
Input: Analog
OPN: [IRAUDAMP22](#)

Discrete MERUS™ audio amplifier driver IC and MOSFET evaluation boards



IRAUDAMP4A

Number of audio channels: 2
Output power per channel [RMS]: 120 W
Featured driver IC: [IRS20957S](#)
Featured MOSFET: [IRF6645TRPbF](#)
OPN: [IRAUDAMP4A](#)

IRAUDAMP5

Number of audio channels: 2
Output power per channel [RMS]: 120 W
Featured driver IC: [IRS2092S](#)
Featured MOSFET: [IRF6645TRPbF](#)
OPN: [IRAUDAMP5](#)

IRAUDAMP6

Number of audio channels: 2
Output power per channel [RMS]: 250 W
Featured driver IC: [IRS20957S](#)
Featured MOSFET: [IRF6785MTRPbF](#)
OPN: [IRAUDAMP6](#)

IRAUDAMP7S

Number of audio channels: 2
Output power per channel [RMS]: 500 W
Featured driver IC: [IR-S2452AM](#)
Featured MOSFET: [IRFI4019H-117P](#)
OPN: [IRAUDAMP7S](#)



IRAUDAMP9

Number of audio channels: 1
Output power per channel [RMS]: 1700 W
Featured driver IC: [IRS2092S](#)
Featured MOSFET: [IRFB4227PbF](#)
OPN: [IRAUDAMP9](#)



IRAUDAMP10

Number of audio channels: 2
Output power per channel [RMS]: 370 W
Featured driver IC: [IRS2052M](#)
Featured MOSFET: [IRF6775MTRPbF](#)
OPN: [IRAUDAMP10](#)



IRAUDAMP23

Number of audio channels: 2
Output power per channel [RMS]: 500 W
Featured driver IC: [IRS2452AM](#)
Featured MOSFET: [IPP60R180C7](#)
OPN: [IRAUDAMP23](#)

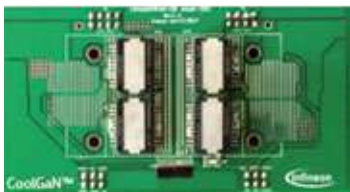
www.infineon.com/merus

For more details on the product, click on the part number, visit infineon.com or contact our [product support](#).





Discrete audio amplifier driver IC and CoolGaN™ GIT HEMT 400 V evaluation board



EVAL_AUDAMP24

Number of audio channels: 2
Output power per channel [RMS]: 300 W at 1%
Featured driver IC: [IRS20957S](#)
Featured HEMT:
[IGOT40R070D1](#)
[IGT40R070D1](#)
OPN: [EVAL_AUDAMP24](#)

Power supply units for audio evaluation boards



IRAUDPS1

Input voltage: 12 V_{DC}
Output voltage: ± 35 V
Output power per channel [RMS]: 100 W
Featured driver IC: IR2085
Description: 250-1000 W scalable audio power supply
OPN: [IRAUDPS1](#)



IRAUDPS3

Input voltage: 110/220 V_{AC}
Output voltage: ± 30 V
Output power per channel [RMS]: 200 W
Featured driver IC: IRS27952S
Description: Power supply for class D audio amplifier
OPN: [IRAUDPS3](#)

www.infineon.com/merus
www.infineon.com/gan

For more details on the product, click on the part number, visit infineon.com or contact our [product support](#).





AC-DC LED driver ICs

Digital and mixed-signal, single- and dual-stage high-voltage control ICs for LED drivers

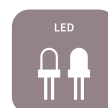
XDP™ digital power – digital single- and dual-stage flyback combo controllers

The XDP™ portfolio of high-performance digital power control ICs addresses today's challenges such as smart or connected lighting, meeting demanding LED driver requirements with a unique set of features.

Mixed-signal control ICs for solid-state lighting luminaires

Infineon's mixed-signal control ICs for LED drivers deliver excellent power quality and high efficiency for LED lighting applications supporting dimming levels down to 1 percent. The integration of advanced functions saves external components and minimizes system cost. The wide variety of features and functions gives the option to choose the best fitting part for the application.

www.infineon.com/offline-led-driver



For more details on the product, click on the part number, visit infineon.com or contact our [product support](#).



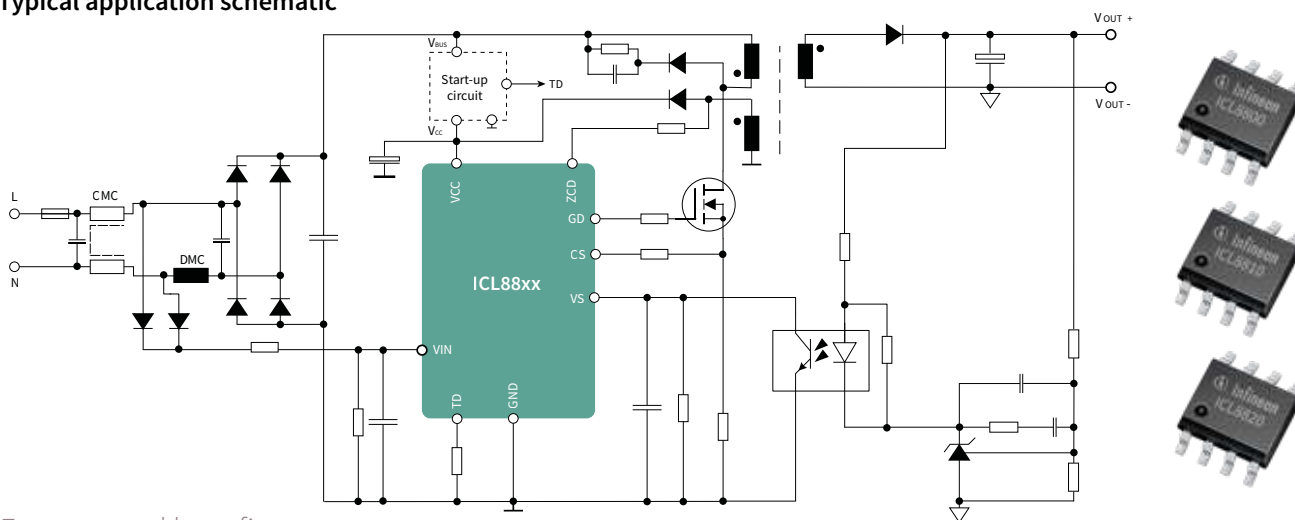
ICL8800/ICL8810/ICL8820

Single-stage flyback LED controllers for constant voltage output

The ICL88xx family of single-stage flyback controllers for constant voltage output is tailored for LED lighting applications to meet the required performance cost-effectively. All three ICs offer benchmarking performance for power factor correction and total harmonic distortion at full-load as well as at low-load conditions. With their comprehensive set of protection features (compare table below) and bottom-up design, they are easy to design-in and require a minimum number of external components. The controllers are optimized as secondary-side regulated (SSR) constant voltage (CV) output flyback controllers and are also well suited for primary-side regulation (PSR).

Additionally, the controllers' low standby power due to the integrated BM (in **ICL8810**, **ICL8820**) is ideally suited for smart lighting systems' requirements. The jitter function (in **ICL8820**) eases the design of emergency lighting LED drivers without additional circuitry. It fulfills EMI requirements in DC operation and improves the EMI performance.

Typical application schematic



Features and benefits

Key benefits	Key advantages
<ul style="list-style-type: none"> Optimized for SSR CV output flyback operation, additionally suited for PSR PF > 0.9 and THD < 10% across a wide load range (AC input up to 277 V_{rms}) CCM and QRM with smart valley hopping ICL8810 also contains burst mode (BM) to ensure low standby power (< 100 mW) ICL8820 also contains built-in jitter function 	<ul style="list-style-type: none"> Low BOM for wide range of applications with PFC functionality where dual-stage topologies are required Enables platform design and window drivers Optimum efficiency and low EMI at low BOM without compromising light quality ICL8810 enables in addition: smart lighting in connection with microcontrollers (standby power < 500mW, i.e., more power budget for additional components) ICL8820 enables in addition: Fulfillment complying with EMI regulations in DC operation at low cost and effort

Order information for ICL88xx

Board name	Description	Ordering code
ICL8800	Single-stage flyback controller for constant voltage output	ICL8800XUMA1
REF_ICL8800_LED_43W*	Demoboard with ICL8800	REFICL8800LED43W
ICL8810	Single-stage flyback controller for constant voltage output with low standby power	ICL8810XUMA1
REF_ICL8810_LED_43W_BM*	Demoboard with ICL8810 with burst mode	REFICL8810LED43WBM
REF_ICL8810_LED_42W_PSR	Demoboard with ICL8810 for primary side regulation	REFICL8810LED42WPSR
ICL8820	Single-stage flyback controller for constant voltage output with low standby power and jitter function	ICL8820XUMA1
REF_ICL8820_LED_43W_JT*	Demoboard with ICL8820 with jitter function	REFICL8820LED43WJT

www.infineon.com/offline-led-driver

*See Plug & LEDs play, ideally to be combined with secondary-side boards



For more details on the product, click on the part number, visit infineon.com or contact our [product support](#).

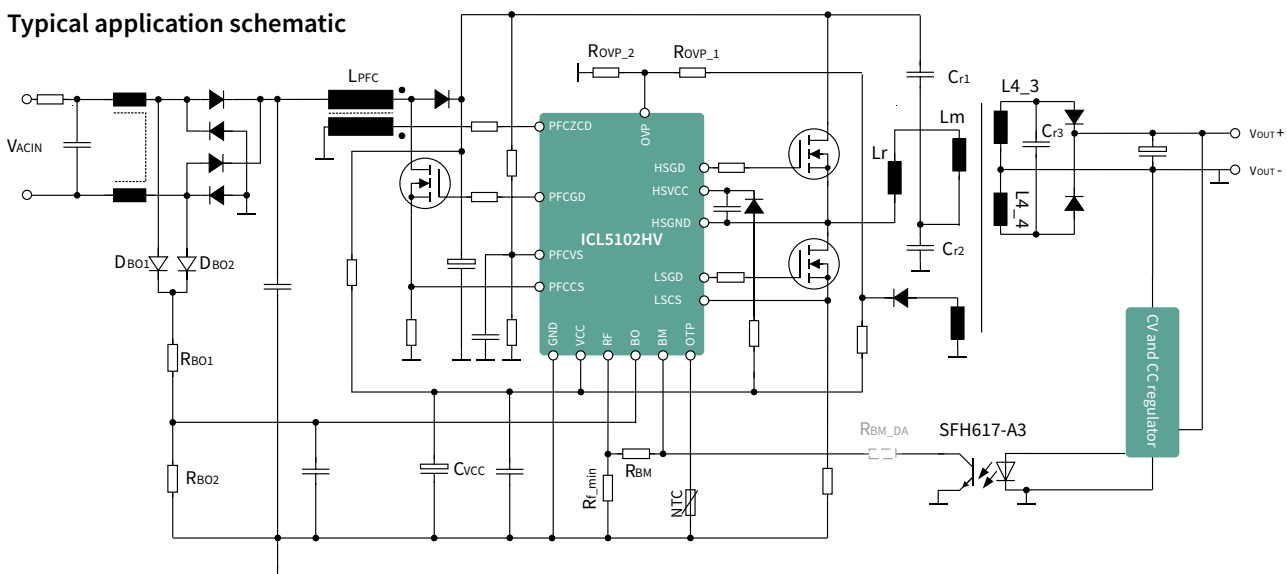


ICL5102HV

High-performance PFC + resonant controller for LCC and LLC, supporting 980 V high side

ICL5102HV control IC for LED drivers offers a unique one-package solution for lighting applications up to 350 W, supporting LLC/LCC topology. It is particularly designed to deliver best performance of total harmonic distortions (THD) and power factor (PF). Compared to level-shifter technology, the integrated coreless transformer not only further reduces the loss at high operation frequency, but also enhances the capability of handling a huge negative voltage (-600 V on HSGND). Reduce the number of external components to optimize the form factor and reduce the bill of materials (BOM) with the integrated two-stage combination controller (PFC + LLC/LCC) for lighting applications. Simplify your design and shorten time-to-market.

Typical application schematic



Features and benefits

Key features and benefits

- › **Small form factor LED driver and low BOM**
The high level of integration assures a low count of external components, enabling small form factor designs and making them ideal for compact and slimline power supplies for lighting, such as LED driver for indoor and outdoor applications
- › **High performance, digital PFC and advanced HB driver**
The high-performance digital PFC stage achieves power factor of 99 percent, through operation in CrCM and DCM mode, in a frequency range of 22 to 500 kHz. This supports stable operation even at low-load conditions down to 0.1 percent of the nominal power without audible noise
- › **Fast time-to-light and low standby**
With a start-up current of less than 100 μ A the controller provides very fast time-to-light within less than 300 ms, while in standby the controller changes into active burst mode which reduces power consumption to less than 300 mW
- › **Safety first**
The controller has a comprehensive set of protection features built in to increase the system safety. In run mode it monitors the complete system regarding bus over- and undervoltage, open loop, overcurrent of PFC and/or inverter, output overvoltage, overtemperature and capacitive load operation



Order information for ICL5102HV

Type	Description	Ordering code
ICL5102HV	PFC and resonant controller for LCC and LLC	ICL5102HVXUMA1
REF-ICL5102HV-U150W	PFC/LCC evaluation board 150 W, CC LED driver	REFICL5102HVU150WTOB01

www.infineon.com/icl5102hv



For more details on the product, click on the part number, visit infineon.com or contact our [product support](#).



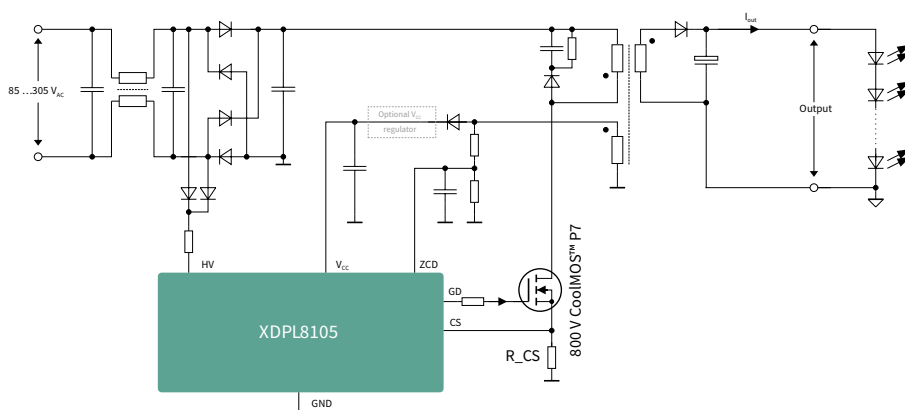
XDP™ LED

The IC family **XDP™** is the first all-in-one package solution combining a digital controller with key power peripherals. Such integration provides exceptional flexibility and performance. The **XDP™** family addresses essential features for advanced LED driver.

XDPL8105 – digital flyback controller IC for LED driver

The **XDPL8105** is a digital, single-stage flyback controller with high power factor for constant current LED driver. The device offers versatile functions for different indoor and outdoor lighting applications. The IC is available in a DSO8 package and it provides a wide feature set, requiring a minimum of external components. The advanced control algorithms in the digital core of the **XDPL8105** provide multimode operation for high efficiency. Configurable parameters allow last minute changes, shorten the product development time and reduce hardware variants. The extensive set of configurable standard and sophisticated protection mechanisms ensure a safe, reliable and robust LED driver device for diverse use cases.

Typical application schematic



Features and benefits

Key features and benefits
› Constant current with primary-side regulation
› Supports AC and DC input
› Nominal input voltage range 90-305 V _{AC} or 120-350 V _{DC}
› Integrated 600 V start-up cell
› Power factor > 0.9 and THD < 15 percent over wide load range
› Highly accurate primary-side control output current typ. ± 3 percent
› Reference board efficiency > 90 percent
› Internal temperature guard with adaptive thermal management
Multimode operation
› QRM (quasi-resonant mode)
› DCM (discontinuous conduction mode)
› ABM (active burst mode)
Digital parameters
Relevant error conditions are monitored and protected
› Undervoltage
› Overvoltage
› Open load
› Output shorted

Order information for XDPL8105

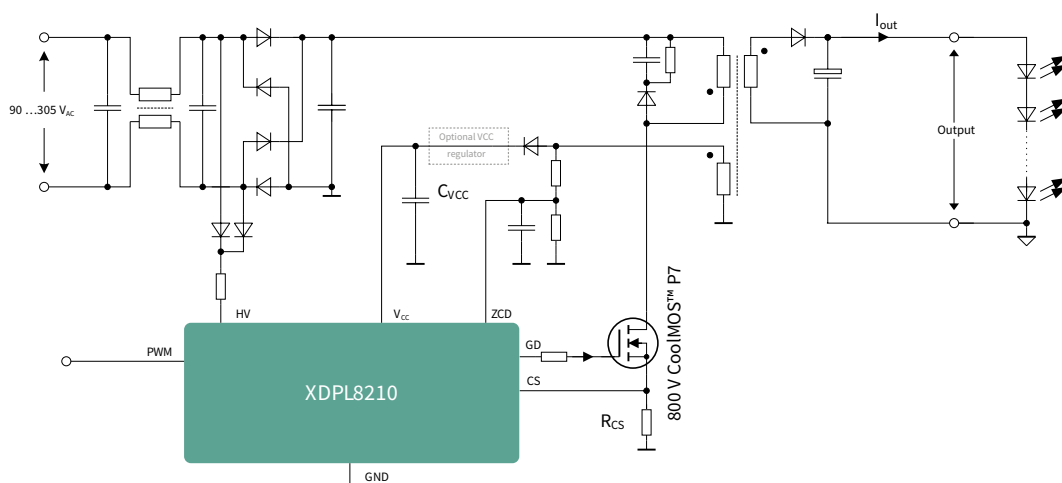
Type	Description	Ordering code
XDPL8105	Digital flyback constant current controller IC	XDPL8105XUMA1
REF-XDPL8105-CDM10V	40 W reference design with CDM10V isolated 0 V-10 V dimming interface	REFXDPL8105CDM10VTOB01



XDPL8210 – digital flyback constant current controller IC for LED driver with 1 percent dimming

The **XDPL8210** is a digital, single-stage, quasi-resonant flyback controller with high power factor and high precision primary-side controlled constant current output. The IC is available in a DSO8 package and it provides a wide feature set, which requires only a small number of external components. Sophisticated algorithms provide flicker-free dimming below one percent. The driver fully supports IEC61000-3-2 class C designs. The limited power mode improves functional safety, while configurable parameters allow last minute changes, shorten the product development time and reduce hardware variants. The extensive set of configurable standard and sophisticated protection mechanisms ensure a safe, reliable and robust LED driver for a large set of use cases.

Typical application schematic



Features and benefits

Key features and benefits
> Constant current with primary-side regulation
> Supports AC and DC input
> Nominal input voltage range 90-305 V _{AC} or 90-430 V _{DC}
> Reference board efficiency > 90 percent
> Power factor > 0.9 and THD < 15 percent over wide load range
> Standby power < 100 mW
> Internal temperature guard with adaptive thermal management
Multimode operation
> QRM (quasi-resonant mode)
> DCM (discontinuous conduction mode)
> ABM (active burst mode)
Digital parameters
Relevant error conditions are monitored and protected
> Undervoltage
> Overvoltage
> Open load
> Output shorted



Order information for XDPL8210

Type	Description	Ordering code
XDPL8210	Digital flyback constant current controller IC	XDPL8210XUMA1
REF-XDPL8210-U35W	35 W reference design with CDM10V isolated 0 V-10 V dimming interface	REFXDPL8210U35WTOB01

www.infineon.com/xdpl8210



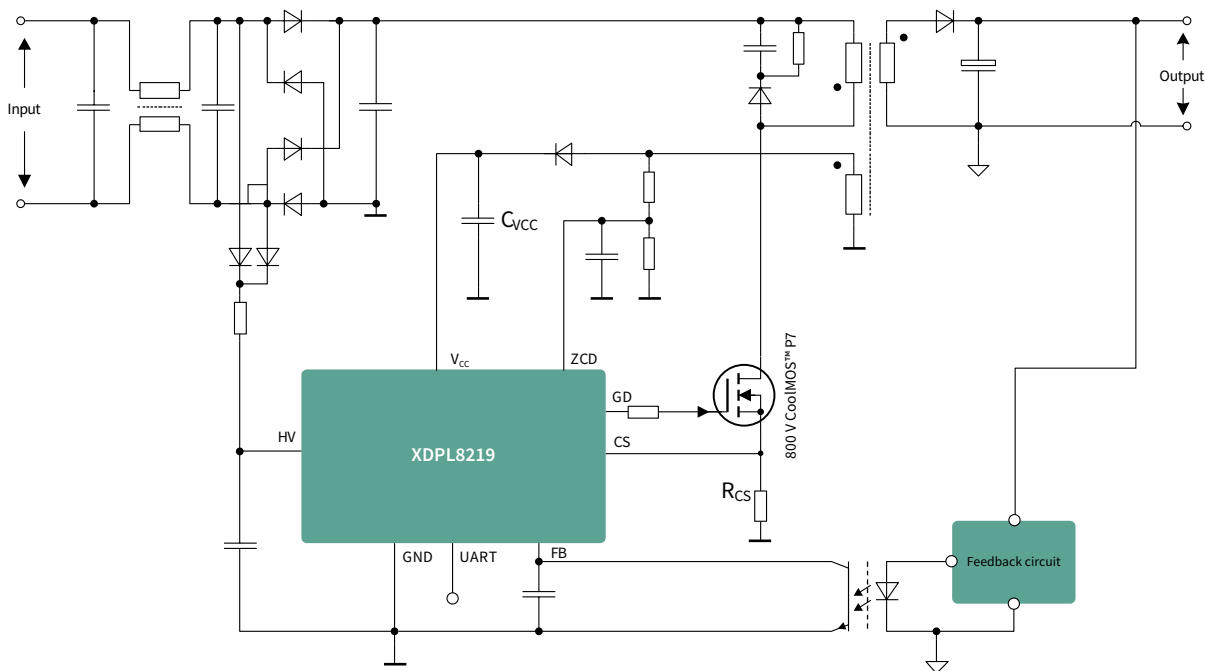
For more details on the product, click on the part number, visit infineon.com or contact our [product support](#).



XDPL8219 – PFC/flyback controller with enhanced total harmonic distortion

The **XDPL8219** is a digital high-performance secondary-side regulated flyback controller with constant voltage output. With its high power factor the controller is the perfect fit for cost-effective, dual-stage LED drivers and enables for instance smart lighting applications. The device operates in quasi-resonant mode (QRM) to maximize the efficiency and minimize the electromagnetic interference (EMI) over a wide load range. It enters active burst mode (ABM) at light load to prevent audible noise from being heard, while achieving no-load standby power as low as <100mW. The **XDPL8219** is available in a DSO8 package.

Typical application schematic



Features and benefits

Key benefits	Key benefits
<ul style="list-style-type: none"> > Secondary-side-regulated (SSR) constant voltage (CV) output > Flyback controller with power factor correction > Depending on load condition, either quasi-resonant, discontinuous conduction mode or active burst mode (ABM) > Integrated 600 V start-up cell 	<ul style="list-style-type: none"> > Supporting wide load range and fast and stable reaction to dynamic load changes > PF > 0.9 and THD < 10% across a wide load range (AC input up to 277 V_{rms}) > Optimal efficiency, power factor and THD can be achieved by best-suited mode. In addition, DCM eases compliance with EMI at low-load condition > Very low standby power < 100 mW can be achieved > Integrated start-up cell enables very high efficiency

Order information for XDPL8218

Type	Description	Ordering code
XDPL8219	Digital flyback CV output controller IC	XDPL8219XUMA1
REF-XDPL8219-U40W*	Efficient 40 W reference circuit design for XDPL8219 with high power factor and low THD. It is built for universal input voltage 120–277 V AC or 127–432 V DC	REFXDPL8219U40WTOB01

www.infineon.com/xdpl8219

*See Plug & LEDs play, ideally to be combined with secondary-side boards



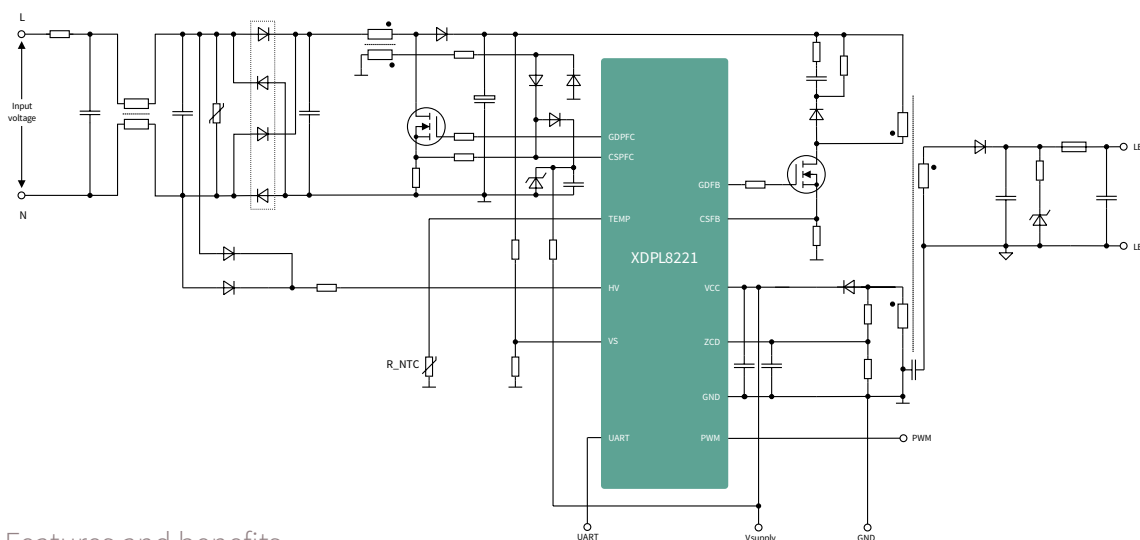
For more details on the product, click on the part number, visit infineon.com or contact our [product support](#).



XDPL8221 - digital dual-stage multimode flyback controller for CC, CV, LP with 1 percent dimming and serial interface

The **XDPL8221** is a digital, highly integrated, future-proof device combining a quasi-resonant PFC with a quasi-resonant flyback controller with primary-side regulation. A serial communication interface supports direct communication with an external microcontroller unit (MCU). The **XDPL8221** is especially designed for advanced LED driver in smart lighting or IoT applications, featuring flicker-free dimming down to 1 percent of the nominal current. The device enables customizable LED driver and simplifies the generation and maintenance of different variants without increasing the number of stock keeping units. The IC is available in a DSO-16 package.

Typical application schematic



Features and benefits

Key features and benefits	
>	Nominal input voltage range 100-305 V _{AC} or 90-430 V _{DC}
>	Reference board efficiency > 90 percent
>	Power factor > 0.9 and THD < 15 percent over wide load range
>	UART interface for control and real-time monitoring
>	Constant current, constant voltage, limited power with primary-side regulation
>	1 percent dimming
>	Dim-to-off with low standby power < 100 mW
>	Internal temperature guard with adaptive thermal management
>	The UART interface and the command set enable to control the function of the XDPL8221 or inquire status information
Multimode operation	
>	QRM (quasi-resonant mode)
>	DCM (discontinuous conduction mode)
>	ABM (active burst mode)
Digital parameters	
Relevant error conditions are monitored and protected	
>	Undervoltage
>	Overvoltage
>	Open load
>	Output shorted



Order information for XDPL8221

Type	Description	Ordering code
XDPL8221	Digital dual-stage multimode flyback controller for CC, CV, LP with 1 percent dimming	XDPL8221XUMA1
REF-XDPL8221-U50W	50 W reference board with CDM10V isolated 0 V-10 V dimming interface	REFXDPL8221U50WTOBO1
REF-XDPL8221-U100W	100 W reference board with CDM10V isolated 0 V-10 V dimming interface	REFXDPL8221U100WTOBO1

www.infineon.com/xdpl8221



For more details on the product, click on the part number, visit infineon.com or contact our [product support](#).





DC-DC LED driver ICs

DC-DC switch mode LED driver ICs with efficiencies up to 98 percent, dimming level down to 0.5 percent

Infineon offers highly integrated DC-DC LED driver ICs that support currents up to 1.5 A, making these drivers the ideal choice for high- and ultrahigh-power LEDs. These highly integrated DC to DC driver ICs achieve efficiency levels as high as 98 percent across a wide range of operation conditions. Integrated smart thermal protection, along with overvoltage and overcurrent protection contribute to a longer LED lifetime.

Go for quality with Infineon's cost-efficient linear LED driver ICs

Infineon's BCR linear driver ICs are the best choice for driving LED strings supplied by a DC voltage source. The BCR regulators are suitable for driving currents from 10 mA to 250 mA. That is why they are the best solution for low- and mid-power LEDs. For high-power LEDs instead, the linear controller ICs in combination with an external power stage allow for the greatest design flexibility.

www.infineon.com/cms/en/product/power/lighting-ics/dc-dc-led-driver-ic
www.infineon.com/cms/en/product/power/lighting-ics/linear-led-driver-ic

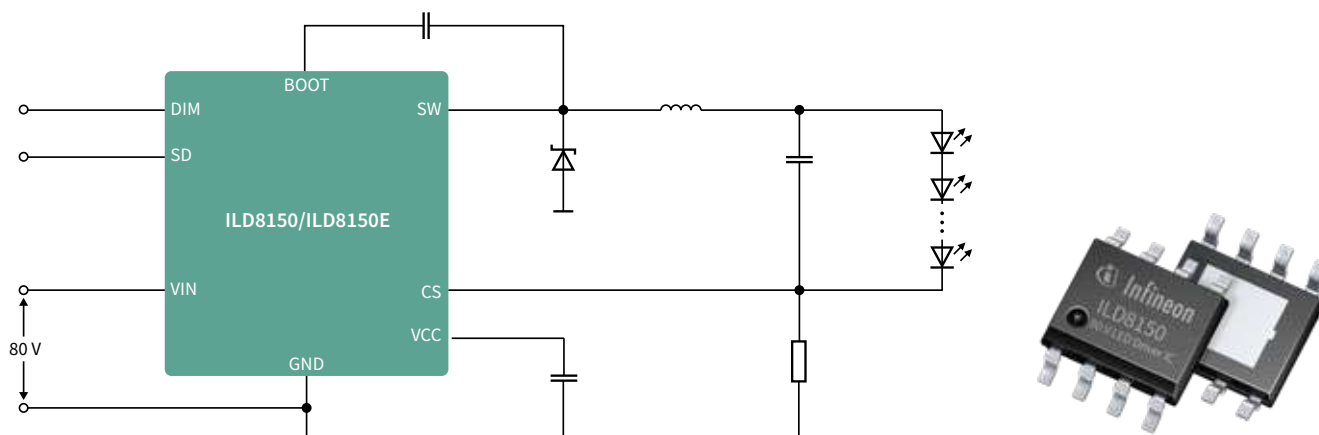


ILD8150/ILD8150E – 80 V DC-DC buck LED driver IC for high-power LEDs and high-performance hybrid dimming

The **ILD8150** is 80 V DC-DC converter IC, designed to be used in LED applications to drive high-power LEDs. For applications operating close to safe extra low voltage (SELV) limits, it provides a high safety voltage margin. The buck LED driver IC is tailored for LEDs in general lighting applications with average currents up to 1.5 A using a high-side integrated switch. Several performance and protection features provide the right fit for professional LED lighting.

The hysteretic current control provides an extremely fast regulation and stable LED current combined with good EMI performance. The efficiency of the LED driver IC is remarkably high, reaching more than 95 percent efficiency over a wide range. A PWM input signal between 250 Hz and 20 kHz controls dimming of the LEDs current in analog mode from 100 to 12.5 percent and 12.5 to 0.5 percent in PWM mode with flicker-free modulation frequency of 3.4 kHz.

Digital PWM dimming detection with high resolution makes **ILD8150/E** the perfect LED driver IC for use together with microcontrollers. Precise output current accuracy from device to device under all loads and input voltage conditions makes it perfect for tunable white and flat panel designs where the current must be identical string to string.



Features and benefits

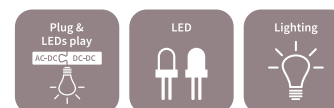
Key benefits
> Wide input voltage ranging from 8–80 V _{DC}
> Up to 1.5 A average output current, adjustable via shunt resistor
> Efficiency > 95 percent
> Up to 2 MHz switching frequency
> Soft-start
> PWM dimming input, with 250 Hz to 20 kHz PWM dimming frequency

Key advantages
Hybrid dimming for flicker-free light down to 0.5 percent
> Analog dimming 100 percent – 12.5 percent
> PWM dimming 12.5 percent – 0.5 percent with 3.4 kHz flicker-free modulation, dim-to-off
> Typical 3 percent output current accuracy
> Overtemperature protection
> Pull-down transistor to avoid LED glowing in dim-to-off
> DSO8 package to enable wave soldering
> DSO8 with exposed pad for higher thermal performance (ILD8150E)

Type	Description	Package	Ordering code
ILD8150	80 V DC-DC buck LED driver IC	DSO8	ILD8150XUMA1
ILD8150E	80 V DC-DC buck LED driver IC	DSO8 exposed pad	ILD8150EXUMA1
REF_ILD8150_DC_1.5A*	Reference design board 1.5 A with through hole inductor	Board with ILD8150E	REFILD8150DC15ATOBO1
REF_ILD8150_DC_1.5A*	Reference design board 1.5 A	Board with ILD8150E	REFILD8150DC15ATOBO1
REF_TW_ILD8150E_60V_1A*	Reference board for professional tunable white and multichannel applications	Board with 2x ILD8150E	REFTWILD8150E60V1ATOBO1
REF_ILD8150_DC_1.5A_SMD*	Reference design board 1 A with SMD inductor	Board with 2x ILD8150E	REFILD8150DC15ASMDTOBO1

www.infineon.com/ild8150

*See Plug & LEDs play, ideally to be combined with secondary-side boards



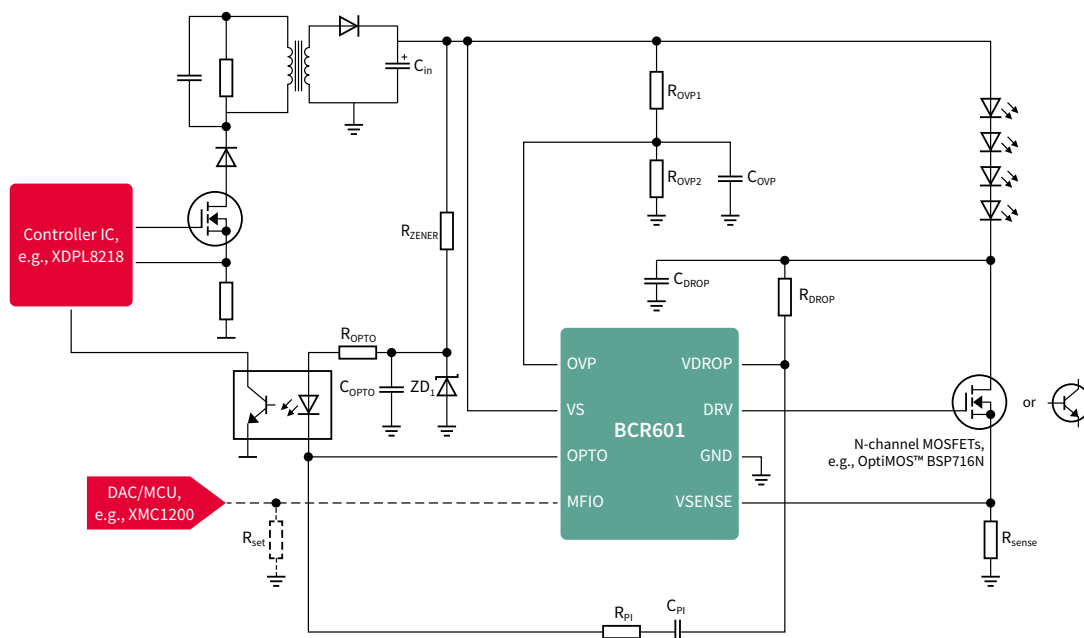
For more details on the product, click on the part number, visit infineon.com or contact our [product support](#).

Linear current regulators

60 V linear LED controller IC with active headroom control for power- and cost-efficient linear regulation on DC-DC side

A unique feature of **BCR601** is to provide feedback to the primary side via an optocoupler to control the output voltage of the primary-side converter, e.g., **XDPL8219** or **ICL88xx**. The integrated control loop minimizes the voltage overhead and power dissipation of the external driver transistor. This capability, coupled with the adjustment of voltage overhead by external configuration according to application needs, leads to power- and cost-efficient LED systems. AC line ripple suppression, analog dimming option and various protection features round up this device for LED drivers allowing for flicker-free light and longevity of LEDs.

Typical application schematic



Features and benefits

Key features and benefits	
>	Active headroom control (supports an optocoupler feedback loop to primary side minimizing power losses)
>	Dimming in pure analog mode down to 3%
>	Suppresses the voltage ripple of the power supply driving a constant LED current for high light quality
>	The embedded hot-plug protection allows plug in and plug out of any LED load during operation without damaging the LEDs
>	Supports wide current range depending on external driver transistor
>	Supply voltage range up to 60 V
>	Gate driver current 10 mA
>	LED current can be adjusted by R_{set} functionality
>	Overtemperature protection and adjustable overvoltage protection

Order information for BCR601

Type	Description	Ordering code
BCR601	60 V linear LED controller IC with voltage feedback to primary side	BCR601XUMA1
DEMO_BCR601_60V_IVCTRL*	Demonstration board BCR601 current and voltage control, 700 mA	DEMOBCR60160VIVCTRLTOB01
REF_TW_BCR601_55V_0.5A*	Demoboard for design evaluation of tunable white applications with cost-effective linear LED controllers, 500 mA	REFTWBCR60155V05ATOBO1

www.infineon.com/bcr601

*See **Plug & LEDs play**, ideally to be combined with secondary-side boards

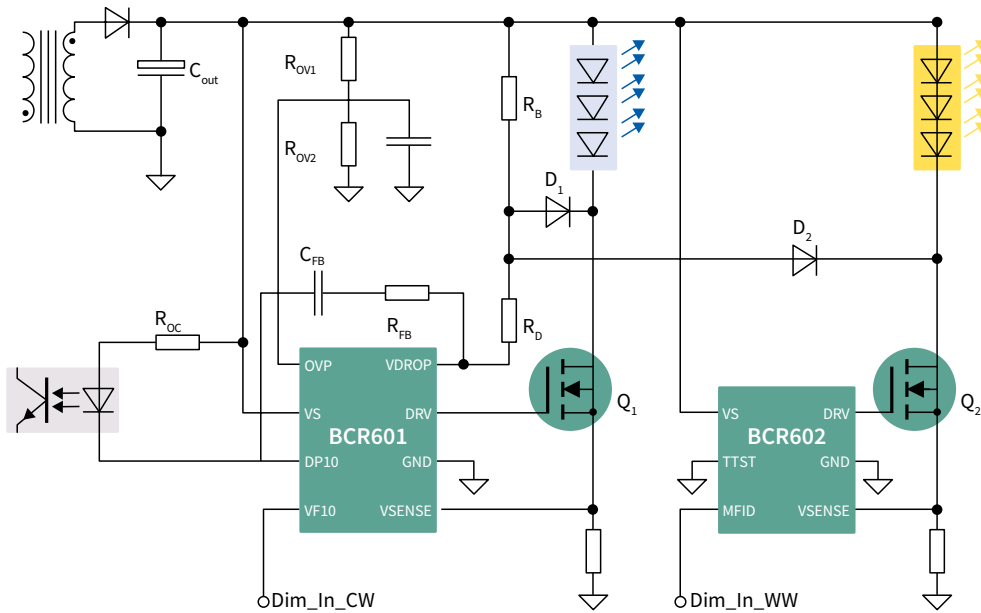


For more details on the product, click on the part number, visit infineon.com or contact our [product support](#).



BCR601/BCR602 – 60 V linear LED controller ICs for tunable white plus active headroom control and flexible dimming

BCR601 is a linear controller that enables high efficiency at low cost as a second-stage LED controller to replace DC-DC buck converters especially in low- to mid-power LED drivers. The cost-effectiveness especially in multichannel designs can be further enhanced by using **BCR602** in a tiny SOT-23-6 package regulating the LED current for flicker-free deep dimming performance.



Features and benefits

Key benefits
> BCR601 as the master controller controls voltage overhead of both channels and current of one channel
> BCR602 as slave controller regulates current of second channel
> Input voltage up to 60 V
> Can be operated with either BJT or N-channel MOSFET
> Analog dimming down to 3%, PWM dimming down to 1% (BCR602)
> Current precision $\pm 3\%$
> OTP, OVP, hot-plug protection

Key advantages
> Linear regulators give considerable cost advantage over buck topology
> Cost advantage increases with additional channels
> Efficiency can be on par with buck (depends on output ripple of first stage)
> Highest light quality, zero ripple
> Deep, full analog dimming
> Easy to extend to additional outputs (e.g., RGBW)

Order information

Type	Description	Ordering code
REF_TW_BCR601_55V_0.5A*	Demoboard for design evaluation of tunable white applications with cost-effective linear LED controllers BCR601/BCR602 , 500 mA	REFTWBCR60155V05ATOBO1
BCR601	60 V linear LED controller IC with voltage feedback to primary side	BCR601XUMA1
DEMO_BCR601_60V_IVCTRL*	Demonstration board BCR601 current and voltage control, 700 mA	DEMOBCR60160VIVCTRLTOBO1
BCR602	60 V linear LED controller IC	BCR602XTSA1
DEMO_BCR602_60V_ICTRL*	Demoboard for design evaluation of cost-efficient, highly reliable, dimmable LED engines/modules, 60 V, 200 mA	DEMOBCR60260VICTRLTOBO1



www.infineon.com/cms/en/product/evaluation-boards/ref_tw_bcr601_55v_0.5a
www.infineon.com/cms/en/product/power/lighting-ics/linear-led-driver-ic/bcr601
www.infineon.com/bcr602

*See Plug & LEDs play, ideally to be combined with secondary-side boards



For more details on the product, click on the part number, visit infineon.com or contact our [product support](#).



BCR43x linear LED driver ICs for low-power LEDs

The BCR3x family is the smallest size and lowest cost series of LED drivers. These products are perfectly suited for driving low-power LEDs in general lighting applications.

The advantage over resistor biasing is:

- › Long lifetime of LEDs due to constant current in each LED string
- › Homogenous LED light output independent of LED forward voltage binning, temperature increase and supply voltage variations

The advantage versus discrete semiconductors is:

- › Reduced part count and assembly effort
- › Pretested output current
- › Defined negative temperature co-efficient protection

Needing more details on replacing resistors?



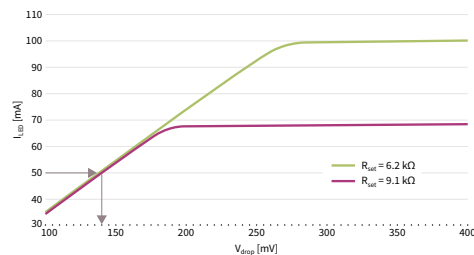
Download now the application note
“Driving low power LEDs from
10 to 65 mA LED driver ICs”

Features and benefits

Key features and benefits
› Output current from 8 to 100 mA (adjustable by external resistor)
› Supply voltage up to 40 V (BCR430U, BCR431U*)
› Reduction of output current at high temperature, contributing to long lifetime LED systems
› Extra low voltage drop for more voltage headroom and flexibility in designs (BCR430U, BCR431U)
› Excellent ESD performance on device and system level for BCR43xU
› Very small form factor packages with up to 600 mW max. power handling capability



LED current versus voltage drop ($V_s = 24\text{ V}$)



The voltage drop at the integrated LED driver stage can go down to 135 mV at 50 mA and less improving the overall system efficiency and providing extra voltage headroom to compensate for tolerances of LED forward voltage or supply voltage. With the BCR430U and BCR431U, additional LEDs can be added to lighting designs or longer LED strips can be created without changing the supply voltage.

Low-power LED driver ICs (5-100 mA)

Type	Group	Topology	V_s (min.) [V]	V_s (max.) [V]	I_{out} (typ.) [mA]	I_{out} (max.) [mA]	Dimming	Package	P_{tot} (max.) [mW]	Ordering code
BCR430U*	LED drivers for low-power LEDs	Linear	6	42	Defined by R_{set}	100	PWM by external transistor	SOT-23	600	BCR430UXTSA2
BCR431U**	LED drivers for low-power LEDs	Linear	6	42	Defined by R_{set}	42		SOT-23	600	BCR431UXTSA1

Type	Description	Ordering code
BCR430U LED BOARD	Low-power demoboard with 8 LEDs, 50 mA	BCR430ULEDBOARDTOBO11
DEMO_BCR431U_LVDROP	Low-power demoboard with 8 LEDs, 15 mA	DEMOBCR431ULVDROPTOBO1

www.infineon.com/bcr

* Ultralow voltage drop version BCR430U with only 135 mV at 50 mA

** Ultralow voltage drop version BCR431U with only 115 mV at 15 mA



For more details on the product, click on the part number, visit infineon.com or contact our [product support](#).

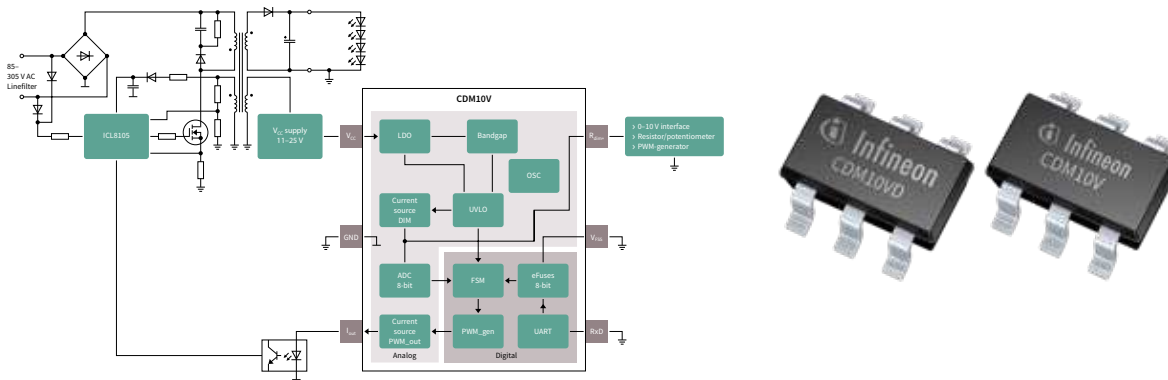


CDM10V and CDM10VD – most flexible dimming interface ICs for 0-10 V input

Infineon's fully integrated dimming solutions

Infineon's **CDM10V** and **CDM10VD** are the industry's first single-chip lighting interface ICs. They are capable of transforming an analog 0–10 V input into a PWM or dimming input signal, required by a lighting controller IC. **CDM10V** and **CDM10VD** devices are dedicated for commercial and industrial LED lighting applications. The compact and highly integrated devices allow designers to replace up to 25 discrete components, used in conventional 0–10 V dimming schemes, with a single device. Supplied in an ultra-miniature 6-pin SOT package, the CDM10Vx and CDM10VDx perfectly match small PCBs with high component densities.

Typical application schematic using CDM10V



Features and benefits

Key benefits	Key advantages
<ul style="list-style-type: none"> Active dimming (0–10 V) and passive dimming (resistor) Embedded digital signal processing which maintains minimum variations from device to device PWM input One-time configurable device: CDM10V and preconfigured devices with various feature sets 	<ul style="list-style-type: none"> Single-device solution leading to low BOM and PCB savings Dimming ICs in small SOT-23 package for high power density designs Granular portfolio for highest flexibility and easy design-in Wide input V_{CC} range 11–25 V, extended range down to 6 V for CDM10V Attractive pricing and faster time to market

Product type	I_{out} [mA]	Min. duty cycle [%]	PWM output frequency [kHz]	Dimmer/resistor bias current [μ A]	Dimm-to-off	Ordering code
CDM10V	5	1/2/5/10	0.2/0.5/1/2	50/100/200/500	Disabled/enabled	CDM10VXTSA1
CDM10V-2	5	n.a.	1	200	Enabled	CDM10V2XTSA1
CDM10V-3	5	1	1	200	Disabled	CDM10V3XTSA1
CDM10V-4	5	n.a.	2	100	Enabled	CDM10V4XTSA1
CDM10VD	5	5	1	120	Enabled	CDM10VDXTSA1
CDM10VD-2	5	10	1	120	Enabled	CDM10V2DXTSA1
CDM10VD-3	1	5	1	120	Enabled	CDM10V3DXTSA1
CDM10VD-4	1	10	1	120	Enabled	CDM10V4DXTSA1

Board name	Description	Ordering code
REF-XDPL8105-CDM10V	40 W single-stage PFC FB digital power reference design with CDM10V	REFXDPL8105CDM10VTOB01

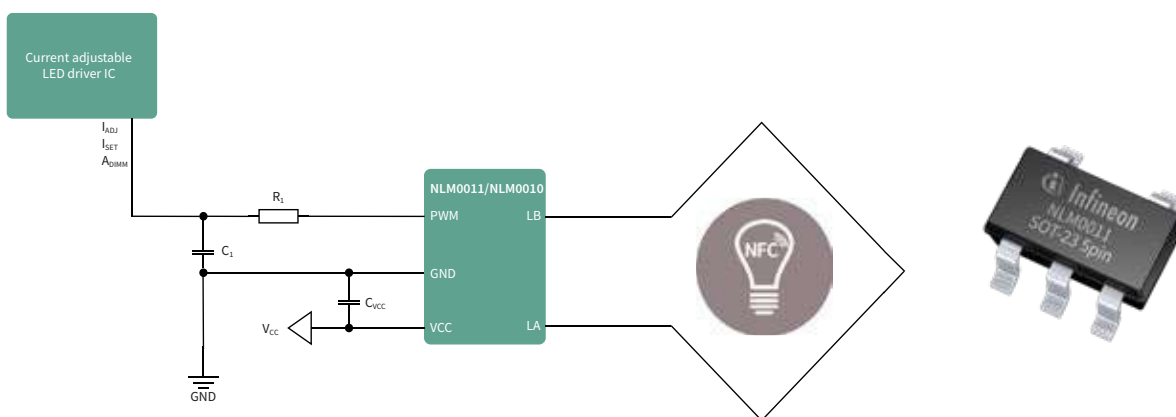


NFC-PWM configuration ICs

Dual-mode NFC wireless configuration ICs with CLO function and pulse width modulation (PWM) output for lighting applications

The **NLM0011** is a dual-mode NFC wireless configuration IC with PWM output. It is compatible with existing analog LED driver designs and with the NFC-programming specification from the module-driver interface special interest group (MD-SIG). This device is primarily designed for LED applications to enable NFC programming. In addition, advanced features such as the constant lumen output (CLO) as well as the on/off counting are integrated, and there is no need for an additional microcontroller. Since the **NLM0011** is designed to work together with mainstream analog driver ICs, there are no firmware development efforts needed. It can be easily adapted into existing designs to replace the “plug-in resistor” current configuration concept. The **NLM0010** is a light version without CLO function.

Typical example of NFC lighting application



Features and benefits

Key benefits	Key advantages
<ul style="list-style-type: none"> › Configurable pulse width modulation (PWM) output › NFC contactless interface compliant to ISO/IEC 18000-3 mode 1 (ISO/IEC 15963) › Constant light output (CLO) with 8 configurable points › Integrated operation-time counter (OTC) and on/off counter › Non-volatile memory (NVM) including UID and 20 bytes free memory for user data 	<ul style="list-style-type: none"> › Fast and cost-effective implementation of NFC programming and CLO without the need of an additional microcontroller › Compatible with most analog LED driver designs using the „plug-in resistor“ method › Stable PWM output with fixed 2.8 V amplitude and $\pm 0.1\%$ duty cycle accuracy › Internal voltage regulator (LDO) to avoid influence of instable external supply voltage



EVAL_NLM0011_DC – evaluation board demo kit

This evaluation board not only enables fast demonstration of **NFC-PWM configuration ICs** with **NLM0011** through the NFC-PWM mobile app, but also accelerates the development of the NFC-reader software. **EVAL_NLM0011_DC** does not require a full system, but allows NFC configuration for existing LED driver boards.

Ordering code: EVALNLM0011DCTOB01

Type	Description	Package	Ordering code
NLM0011	Dual-mode NFC configuration IC with PWM output and CLO function	SOT-23-5	NLM0011XTSA1
NLM0010	Dual-mode NFC configuration IC with PWM output, without CLO function	SOT-23-5	NLM0010XTSA1

www.infineon.com/NFC-PWM



For more details on the product, click on the part number, visit infineon.com or contact our [product support](#).





iMOTION™ integrated motor control solutions

A family of highly integrated products for the control of a variable speed drive

iMOTION™ products are offered in several integration levels including hardware as well as software. The hardware integration comprises stand-alone motor controllers, motor controllers with integrated gate drivers (iMOTION™ driver) and fully integrated inverters-in-a-package (iMOTION™ IPM). In terms of software, Infineon offers full turnkey solutions as well as freely programmable modules.

Infineon's field-proven motion control engine (MCE) eliminates software coding from the motor control development process reducing the effort to the configuration for the respective motor and power stage.

The MCE implements highly efficient control of the motor and an optional power factor correction (PFC) and integrates all necessary protections and a flexible scripting engine. Assisted by powerful tools like the solution designer it is possible to have the motor up and running in less than an hour. Integrated support for functional safety for home appliances paves the way to meet regulations in the global market

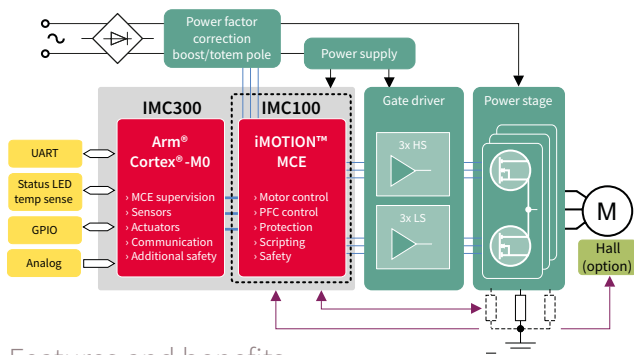
Infineon provides complete solutions for motor control with its combined offering of iMOTION™ together with [EiceDRIVER™](#) gate drivers, [TRENCHSTOP™](#) IGBTs, [CoolMOS™](#) MOSFETs and [CIPOS™](#) IPMs.

iMOTION™ controller

Motor/PFC controller plus optional MCU for maximum flexibility

The iMOTION™ controller consists of two different families: iMOTION™ IMC100 is a series of highly integrated ICs for the control of variable speed drives. By integrating both the required hardware and algorithm to perform control of a three-phase motor they provide the shortest time to market for any motor system at the lowest system and development cost. By combining the iMOTION™ IMC100 with an additional microcontroller based on the Arm® Cortex®-M0 core iMOTION™ IMC300 series is the perfect fit for applications requiring application flexibility beyond pure motor and PFC control.

Infineon's field-proven motion control engine (MCE) implements field-oriented control (FOC) using single or leg shunt current feedback and uses space vector PWM with sinusoidal signals to achieve highest energy efficiency. The MCE can run sensorless as well as using Hall sensors for low speed operation. It also integrates multiple protection features like over- and undervoltage, overcurrent, rotor lock etc. The integrated scripting engine grants flexibility for a wide range of applications. The IMC100/300 series are offered in several device variants. All devices can be used in applications requiring functional safety acc. to IEC 60730-1 ('Class B'). With this wide application scope the iMOTION™ controller is the perfect choice for any highly efficient variable speed drive - from low to high voltage.



Features and benefits

Key features
> Completely self-sustaining motion control engine
> Option for boost or totem pole PFC
> Integrated protection features
> Scripting engine for application flexibility
> Additional independent microcontroller
> Support for IEC 60335-1 ('Class B')

Key benefits
> Easy motor parametrization and tuning
> Low BOM cost for active PFC applications
> Safeguard power stage and motor
> Maximum flexibility for customer functions
> Full flexibility for custom functions or communication
> Support for functional safety integrated



The REF-VACUUM_C101_2ED is a reference design kit featuring IMC101T iMOTION™ controller, 2ED2304 SOI half-bridge gate driver and BSC030N04NS OptiMOS™. It demonstrates our thin-film-SOI and advanced MCE technologies for low-voltage, permanent-magnet motors drive up to 120 KRPM speed, and inverter section rating of 30 V and 25 A. It is optimized for major low-voltage home appliances like vacuums, fans, pumps and compressors.



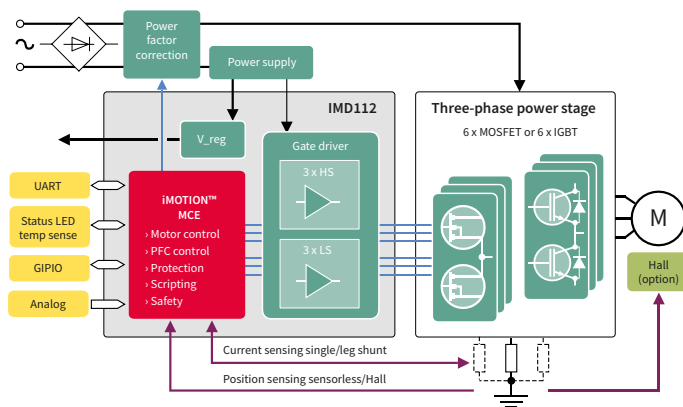
iMOTION™ driver

Motor/PFC controller with gate driver and voltage regulator

The iMOTION™ IMD110 is a series of highly integrated ICs for the control of three-phase motors. The IMD110 drivers are an optimal combination of a ready-to-use motor and (optional) PFC controller with a high-voltage three-phase SOI gate driver and a voltage regulator. They can be combined with almost any low- to high-voltage MOSFET or IGBT to create a very compact yet still highly flexible drive solution. The full set of protections, improved clearance and creepage makes the IMD110 a highly robust and reliable driver family.

The family implements the identical field-proven Motion Control Engine (MCE) as the iMOTION™ controller family. The scripting engine that executes customer scripts with access to the MCE, a high number of GPIOs, analog inputs and a configurable UART grants flexibility for a wide range of applications. Based on Infineon's latest SOI technology the three-phase gate driver exhibits market-leading robustness and lowest failure rates. The very low level-shift losses reduce thermal stress and allow high-frequency operation while the built-in bootstrap diodes help to reduce PCB space and cost. Protections like over- and undervoltage lockout and cross conduction prevention safeguard the power stage during erroneous conditions. All IMD110 devices support the functional safety requirements according to the IEC/UL 60730-1 ('Class B').

Block diagram



Features and benefits

Key features
> Completely self-sustaining motion control engine with identical feature set as the IMC100 series
> Option for boost or totem pole PFC
> High-voltage three-phase gate driver and built-in bootstrap diodes
> Single layer design possible
> Support for IEC 60335-1 ('Class B')

Key benefits
> Fastest time to market with easy parametrization and tuning of motor and PFC control
> Low BOM cost for active PFC applications
> Reducing BOM and PCB space
> Reducing PCB and production costs
> Support for functional safety integrated



The REF_FRIDGE_D111T_MOS board is a ready-to-use three-phase inverter designed for refrigerator compressors featuring the iMOTION™ driver. The 600 V CoolMOS™ PFD7 super junction MOSFET demonstrates market-leading light-load efficiency. The board provides a single-phase AC-connector, rectifier, and three-phase output for the motor. Targeting low-cost applications, the motor is run with sensorless field-oriented control (FOC) using single shunt current sensing. The direct sensing of all voltages and currents does not require any OpAmp.

www.infineon.com/IMD110

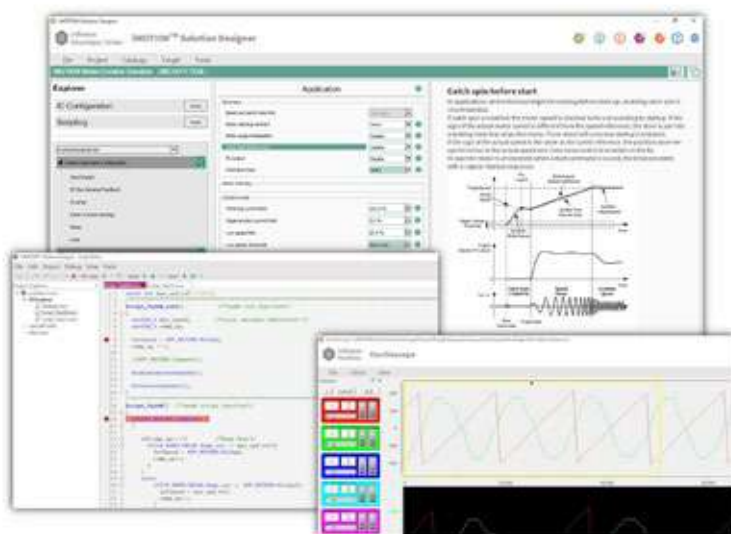


For more details on the product, click on the part number, visit infineon.com or contact our [product support](#).



iMOTION™ tools and development support

The easy way to get started with motor control



The iMOTION™ solution designer is the new all-in-one PC tool supporting the iMOTION™ products in all stages of a motor control project. A new project can either be started by choosing one of the preconfigured applications or via selecting an evaluation board or a specific device. Solution designer offers individual views for all design steps from configuration up to the final tuning of the control loop.

Drive configuration is assisted by the integrated help describing all parameters in detail. After downloading the parameter sets into the iMOTION™ device customer configurable dashboards help with starting and running the motor and tuning the control loop parameters to the desired behavior. All relevant parameters like voltages, currents, torque, speed can be visualized in real time on the 8-channel oscilloscope. Going one step beyond the configuration of the motor and PFC the integrated editor, compiler and debugger help with the development of scripts for the iMOTION™ script engine.

Features and benefits

Key features
> Integrated PC tool for all devices in all project phases
> Configuration wizard for motor and PFC parameter sets
> Dashboards for typical design steps, customer configurable
> Oscilloscope with 8 channels
> Full IDE for editing, compiling and debugging or for scripting
> Programmer for firmware, parameter sets and scripts
> Catalogs for devices, boards, loads and projects

Key benefits
> One common tool and consistent workflow for all iMOTION™ products
> Easy handling of parameter sets with fully integrated help system
> Fully configurable for individual testing and tuning stages
> Real-time insight into all motor and PFC parameters
> Assisted creation of scripts and live debugging including breakpoints
> Unified data handling from project to device
> Project centric work and ease of creating derived projects

iMOTION2Go

Getting familiar with iMOTION™ firmware, features and tools



The iMOTION2go kit contains a complete motor control system on a small form factor board and is powered via USB. It is particularly useful for a first evaluation of the iMOTION™ firmware and tools like the iMOTION™ solution designer. This combination of the IMC101 motor control IC with the solution designer supports all project stages from drive configuration up to optimization and tuning using dashboards and oscilloscope. Scripting can be practiced by downloading and debugging via the IDE integrated in the solution designer.

www.infineon.com/iMOTION-software
www.infineon.com/iMOTION2go



iMOTION™ modular application design kit

Get a motor running in less than 1 hour!

Power boards
(Examples)

5 V/1 W ... 1200 V/10 kW

Controller boards
(Examples)

<p>EVAL-M1-101T iMOTION™ IMC101T-T038</p>	<p>EVAL-M3-302F iMOTION™ IMC302A-F064</p>	<p>EVAL-M7-D111T iMOTION™ IMD111T-F064</p>
--	--	---

M1/3/7 platform interface - multiple different combinations possible

The iMOTION™ modular application design kit (MADK) is an evaluation platform targeting variable speed-drive applications up to 10 kW. The platform offers a modular and scalable system solution with different control board options and a wide range of power boards. Using the iMOTION™ MADK standardized platform interfaces, different control and power boards can be combined into a system that perfectly meets the requirements of the final application. This modular approach allows developers the maximum flexibility and scalability during the evaluation and development phase at affordable costs.

While the M1 platform provides control of a permanent magnet synchronous motor (PMSM), the M3 platform additionally includes an active power factor correction (PFC) implemented as a CCM boost PFC. The M7 platform is based on the iMOTION™ driver series IMD110. The gate driver is contained on the control board and the power boards use different types of discrete power devices thus covering a wide voltage range from 20 V to 600 V with either MOSFETs or IGBTs. Boards with M7 connector are available with and without active PFC.

iMOTION™ Link

Isolated debug interface for final application boards



iMOTION™ Link is an isolated debug probe for all iMOTION™ motor control products. It connects to the user's target board (final application board) or any other evaluation or reference board via a galvanically isolated interface. iMOTION™ solution designer is then used for configuring, parameterizing and tuning of the respective iMOTION™ device. In addition to the serial interface iMOTION™ Link also provides a standard Arm® SWD debug connection for programming the MCU core in devices like the IMC300 series.

www.infineon.com/MADK
www.infineon.com/iMOTION-link



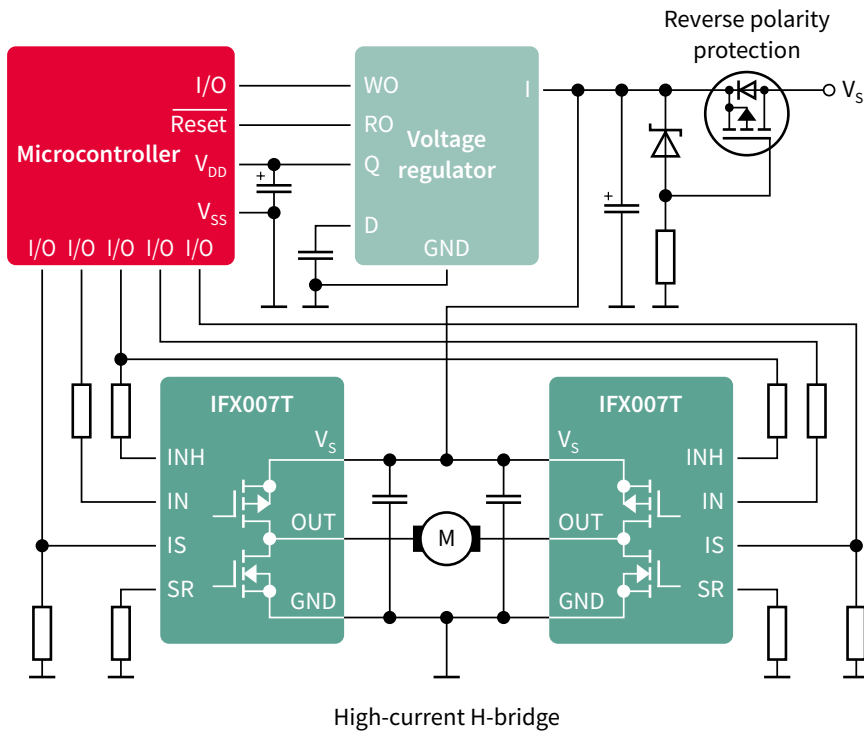
For more details on the product, click on the part number, visit infineon.com or contact our [product support](#).

Single half-bridge IC

Protected high-current half-bridge for industrial applications

The NovalithIC™ provides a complete, low-ohmic protected half-bridge in a single package (typ. path resistance at 25°C down to 10 mΩ). It can also be combined with an additional NovalithIC™ to create a H-bridge or three-phase bridge. The NovalithIC™ family has the capability to switch high-frequency PWM while providing overcurrent, overvoltage and overtemperature protection. The NovalithIC™ family offers cost-optimized, scalable solutions for protected high-current PWM motor drives with very restrictive board space. Due to the P-channel high-side switch the need for a charge pump is eliminated thus minimizing EMI. The latest addition to the NovalithIC™ family is the IFX007T, which is optimized for industrial applications.

Application example for high-current PWM motor drives



Features

Basic features
> Low quiescent current
> Capable for high PWM frequency
> Logic level input
> Adjustable slew rate
> Cross-current protection

Protection features
> Overtemperature shutdown
> Overvoltage shutdown
> Undervoltage
> Overcurrent

Diagnostic features
> Overtemperature
> Overvoltage
> Current sense and status

Product number	Operating range [V]	R _{DS(on)} path (typ.) [mΩ]	I _{D(lim)} (typ.) [A]	I _q (typ.) [μA]	Switch time (typ.) [μs]	Diagnosis	Protection	Package	Qualification
IFX007T	5.5 ... 40.0	10.0	70	7	0.25	OT, OC, CS	UV, OT, OC	PG-TO-263-7	JESD471



BLDC motor control shield with IFX007T for Arduino

The BLDC motor control shield is a high-current motor control board compatible with Arduino and Infineon's XMC4700 boot kit. It is equipped with three smart IFX007T half-bridges. The BLDC motor control shield is capable to drive one BLDC motor. Alternatively, it can be used to drive one or two bidirectional DC motors (H-bridge configuration, cascaded to support second motor) or up to three unidirectional DC motors (half-bridge configuration). The implemented integrated NovalithIC™ IFX007T half-bridges can be controlled by a PWM via the IN-pin.

Features

Key features
Capable of high-frequency PWM, e.g., 30 kHz
Adjustable slew rates for optimized EMI by changing external resistor
Driver circuit with logic level inputs
Diagnosis with current sense

Target applications

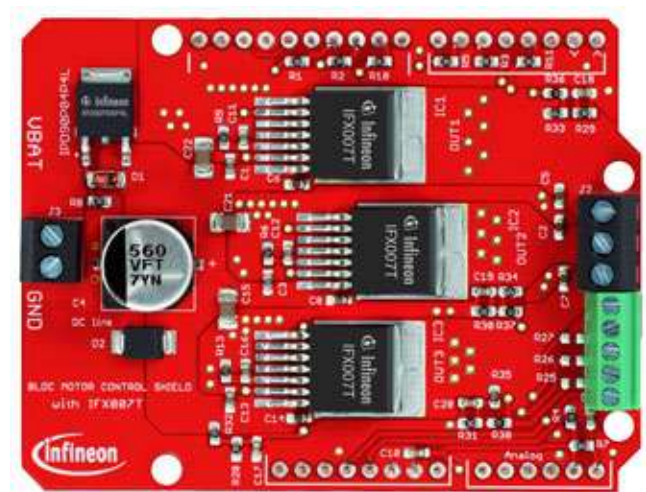
- › Brushed DC motor control up to 250 W continuous load
- › 24 V nominal input voltage (max. 6 V–40 V)
- › Average motor current 30 A restricted due to PCB (IFX007T current limitation at 55 A min.)

BLDC-SHIELD_IFX007T

BLDC motor control with half-bridge IFX007T

Infineon's shields for Arduino are compatible with microcontroller boards using the Arduino-compatible form factor, e.g., Infineon's XMC™ microcontroller kits.

Ordering code: BLDCSHIELDIFX007TTOB01

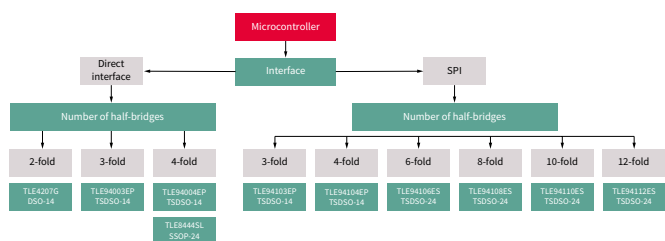


MOTIX™ multi half-bridge ICs

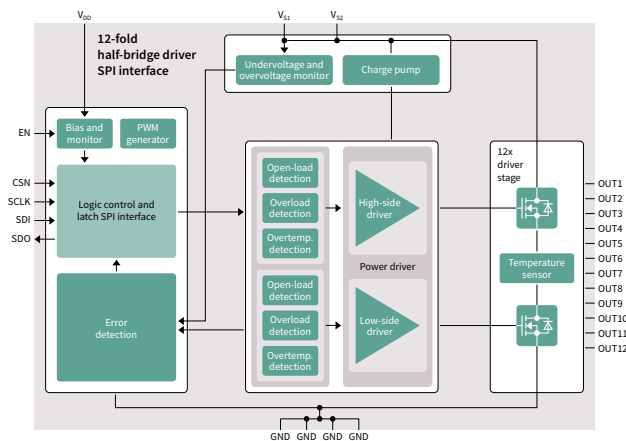
Extensive offering ranging from two-fold half-bridge ICs to twelve-fold half-bridge ICs

The MOTIX™ TLE94xyz products are protected half-bridge drivers designed for 12 V motion control applications such as small DC motors for heating, ventilation and air conditioning (HVAC), as well as automotive mirror adjustment and fold. The family offers two-, three-, four-, six-, eight-, ten-, and twelve-fold integrated half-bridge driver. All devices can drive DC motor loads up to 0.9 A per output or the outputs can be used stand-alone or combined to increase driving capability up to 3.6 A. They provide diagnosis of short circuit, open load, power supply failure and overtemperature for each half-bridge to ensure safe operation in HVAC or other systems. The TLE94xyz offers enhanced EMC performance, which in combination with the low quiescent current and a small package makes the product attractive for a wide range of 12 V automotive and industrial applications. In addition to TLE94xyz, Infineon's multi half-bridge offerings include a dual-half-bridge driver, [TLE4207G](#).

Infineon's portfolio of MOTIX™ multi half-bridge ICs



Block diagram MOTIX™ TLE94112ES



Features and benefits

Key features and benefits	
>	Three-, four-, six-, eight-, ten-, and twelve-fold half-bridges with integrated output stages and PWM
>	16-bit SPI or direct inputs for control and diagnosis
>	Voltage supply range: 5.5- 20 V
>	Variable driving schemes for up to 11 motors

Key applications

- > 12 V automotive and industrial applications
- > Flap motors in HVAC systems
- > Mirror adjustment and fold
- > Small DC motors (≤ 0.9 A/output)
- > Bistable relays
- > Bipolar stepper motors in full-step and half-step mode

Product name	Config.	$I_{L(NOM)}$ [A]	$I_{L(lim)}$ [A]	I_q [μ A]	$V_{S(OP)}$ [V]	Protection	Diagnostic interface	Highlights	$V_{CE(sat)}/R_{DS(on)}$ [m Ω]	Package
TLE94003EP	3 x half-bridge	3 x 0.30	3 x 0.90	0.6	5.5 to 20	OC, OT, VS, UV/OV	Error flag	TLE94xyz family concept + small package	850/switch	TSDSO-14-
TLE94103EP	3 x half-bridge	3 x 0.30	3 x 0.90	0.6	5.5 to 20	OC, OT, OL, VS, UV/OV	16-bit SPI	TLE94xyz family concept + small package		TSDSO-14-
TLE94004EP	4 x half-bridge	4 x 0.30	4 x 0.90	0.6	5.5 to 20	OC, OT, VS, UV/OV	Error flag	TLE94xyz family concept + small package		TSDSO-14-
TLE94104EP	4 x half-bridge	4 x 0.30	4 x 0.90	0.6	5.5 to 20	OC, OT, OL, VS, UV/OV	16-bit SPI	TLE94xyz family concept + small package		TSDSO-14-
TLE94106ES	6 x half-bridge	6 x 0.30	6 x 0.90	0.6	5.5 to 20	OC, OT, OL, VS, UV/OV	16-bit SPI	TLE94xyz family concept + backwards compatible to TLE84106EL		TSDSO-24
TLE94108ES	8 x half-bridge	8 x 0.30	8 x 0.90	0.6	5.5 to 20	OC, OT, OL, VS, UV/OV	16-bit SPI	TLE94xyz family concept		TDSO-24
TLE94110ES	10 x half-bridge	10 x 0.30	10 x 0.90	0.6	5.5 to 20	OC, OT, OL, VS, UV/OV	16-bit SPI	TLE94xyz family concept + backwards compatible to TLE84110		TDSO-24
TLE94112ES	12 x half-bridge	12 x 0.30	12 x 0.90	0.6	5.5 to 20	OC, OT, OL, VS, UV/OV	16-bit SPI	TLE94xyz family concept + 12 outputs in one package		TDSO-24
TLE4207G	2 x half-bridge	2 x 0.80	2 x 1.50	20	8 to 18	OC, OT, VS, UV/OV	Status flag	Error detection		DSO-14

DC motor control HAT with MOTIX™ TLE94112ES

Complies with Raspberry Pi HAT specification

The Infineon motor control HAT with MOTIX™ TLE94112ES complies with Raspberry Pi HAT specification and provides you with unique evaluation experience. It is equipped with 12-fold half-bridge driver TLE94112ES and comes with a ready-to-use software library. The HAT is also equipped with an Infineon TLS4125D0EP V50, a synchronous step-down converter which can power the Raspberry Pi.

Features and benefits

Key features	Benefits
› Twelve half-bridge power outputs, 0.9 A each (combinable to up to 3.6 A)	› Compact design for multi-motor applications
› Wide input voltage range of 5.5 V to 20 V	› Quick and easy setup for evaluation and demo applications
› Powering of Raspberry Pi by TLS4125D0EP V50	› Wide range of applications
› Reverse polarity protection	
› Driver is protected against overtemperature, overcurrent, overvoltage, undervoltage and enables diagnosis of overcurrent, overvoltage, undervoltage	
› SPI interface with zero clock diagnosis	
› Enhanced EMC performance	
› Integrated PWM generator with 3 different frequencies (80 Hz, 100 Hz, 200 Hz)	

Target applications

- › Automotive motor control: HVAC flap control
- › Multi-motor applications
- › DC motors and voltage controlled bipolar stepper motors
- › Toys



Ordering code: TLE94112ESRPIHATTOB01

www.infineon.com/raspTLE94112ES
www.infineon.com/makers

For more details on the product, click on the part number, visit infineon.com or contact our [product support](#).

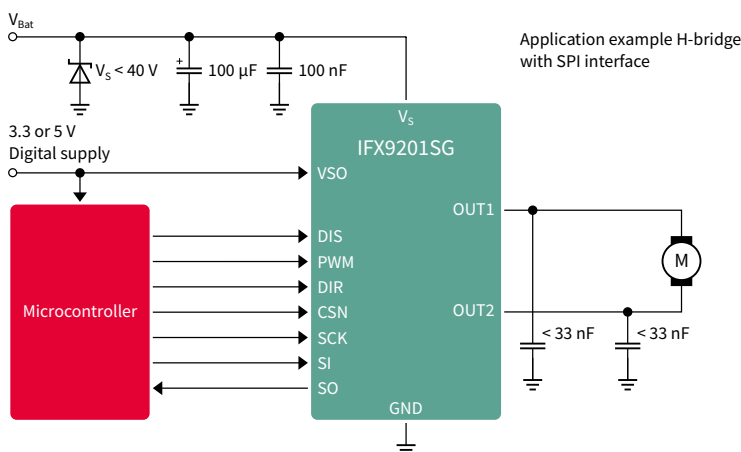


MOTIX™ full-bridge ICs

General purpose 6 A H-bridges

MOTIX™ **IFX9201SG** is a general purpose 6 A H-bridge for industrial applications, home appliance and building automation, power tools battery management and medical applications, designed to control small DC motors and inductive loads. The outputs can be pulse width modulated at frequencies up to 20 kHz, which enables operation above the human sonic range by means of PWM/DIR control. While the signal at the DIR input defines the direction of the DC motor, the PWM signal controls the duty cycle. For load currents above the current limitation threshold (8 A typically), the H-bridges switch into chopper current limitation mode.

Applications examples



Features

Key features	
>	Up to nominal 36 V supply voltage
>	Short circuit, overtemperature protection and undervoltage shutdown
>	Detailed SPI diagnosis or simple error flag
>	Simple design with few external components
>	Small and robust DSO-12-17 (IFX9201SG) and DSO-36-72 (IFX9202ED) packages



Product number	Operating voltage	Current limit (min.) [A]	Quiescent current (typ.) [μ A]	Operating range [V]	$R_{DS(on)}$ (typ./switch) [$m\Omega$]	Package	R_{thJC} (max.) [K/W]
IFX9201SG	4.5 to 36 V	6.0	19.0	5 to 36	100	PG-DSO-12 (power)	2.0



H-BRIDGE KIT 2GO with MOTIX™ IFX9201SG

Build your own DC motor control with the H-bridge Kit 2GO, a ready-to-use evaluation kit. It is fully populated with all electronic components equipped with the H-bridge MOTIX™ IFX9201 combined with **XMC1100** microcontroller based on Arm® Cortex®-M0 CPU. It is designed for the control of DC motors or other inductive loads up to 6 A or up to 36 V of supply.

Target applications

- > DC motor control for industrial applications
- > Home and building automation
- > Power tools battery management
- > Industrial robotic applications
- > Electric toys applications

Ordering code: HBRIDGEKIT2GOTOB01



KIT_XMC1300_IFX9201

Stepper motor control shield with MOTIX™ IFX9201SG and XMC1300 for Arduino

The stepper motor control shield from Infineon is one of the first high-current stepper motor control boards being compatible to Arduino as well as to Infineon's **XMC1100** boot kit. The stepper motor control shield is capable to drive the two coils in a stepper motor featuring dual-half-bridge configuration. The implemented integrated MOTIX™ IFX9201 half-bridges can be controlled by a STEP-signal via the STEP pin. Interfacing to a microcontroller is made easy by the integrated **XMC1300** microcontroller that holds the peripherals to allow high-speed current control. Microstepping of the stepper motor can be achieved using the internal comparators, while operational amplifiers are installed to adapt the motor current sense signal to the microcontroller's input levels.

Features and benefits

Key features
> Compatible with microcontroller boards using the Arduino form factor, e.g., Infineon's XMC™ microcontroller kits
> Capable of high-frequency PWM, e.g., 30 kHz
> Adjustable slew rates for optimized EMI by changing external resistor
> Driver circuit with logic level inputs
> Diagnosis with current sense

Key benefits
> Fast and inexpensive prototyping of stepper motor control
> Simple testing of microstepping algorithms
> Diagnose pin to allow hardware feedback during development
> Overtemperature shutdown with latch behavior and undervoltage shutdown of the power section

Target applications

- > Stepper motors up to 5 A phase current
- > 24 V nominal input voltage for the power stage
- > Average motor current 3 A without additional cooling effort, 5 A possible with proper cooling

Ordering code: KITXMC1300IFX9201TOB01



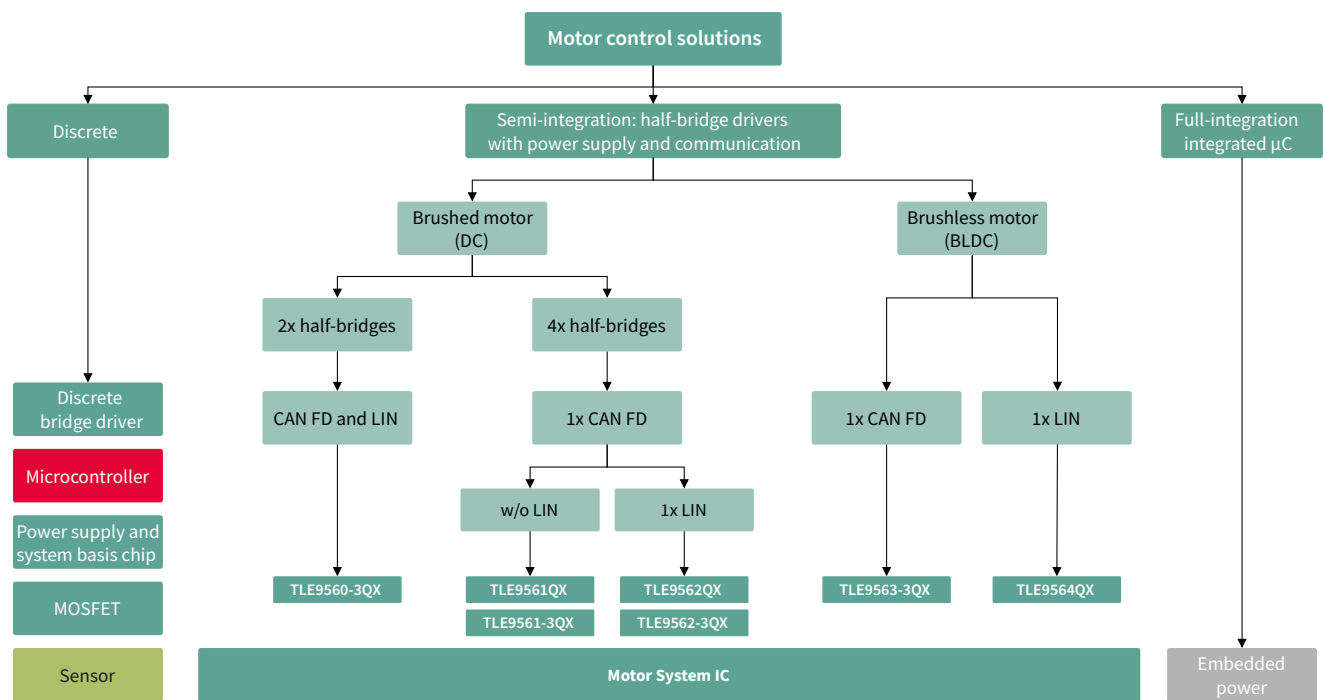
www.infineon.com/h-bridge-kit-2go
www.infineon.com/kit-xmc1300-ifx9201
www.infineon.com/makers



MOTIX™ SBC

(BL)DC motor system IC combines power supply, communication and multiple half-bridge MOSFET drivers

Infineon's MOTIX™ SBC family offers high integration and high performance with optimized system cost for DC and BLDC motor control applications. All devices of the motor system IC family feature a low-dropout voltage regulator with an output current of 250 mA/5 V. The communication interface incorporates a CAN FD transceiver up to 5 Mbit/s according to ISO 11898-2:2016 (including partial networking (PN) option) and/or a LIN transceiver.



Features

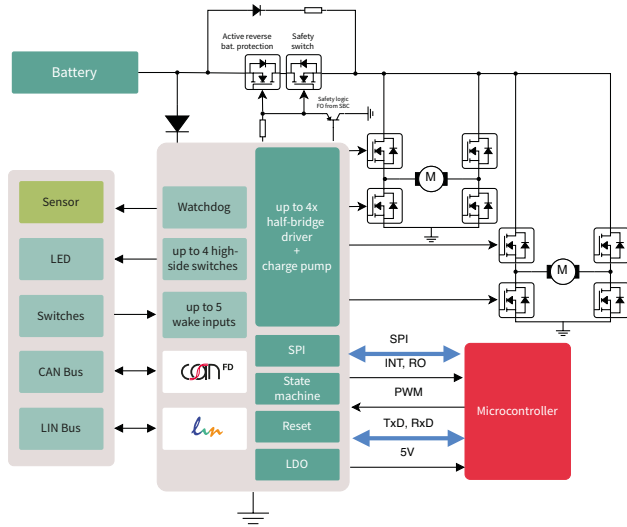
Features
> 5 V linear regulator up to 250 mA
> CAN FD up to 5 Mbps › CAN PN and FD tolerant ("3" variants)
> LIN2.2B/J2602
> MOTIX™ TLE9560/1/2: up to 4 half-bridge gate drivers with adaptive MOSFET control up to 100 mA constant gate charge
> MOTIX™ TLE9563/4: three-phase gate driver with CSA and adaptive MOSFET control up to 150 mA constant gate charge
> Up to 4 high-side switches (with 7 on-resistance) › Up to 5 wake inputs
> Up to 6 PWM inputs

Benefits
> PCB savings up to 50 percent due to unique integration approach
> Lower switching losses and EMC optimization due to adaptive MOSFET control
> Automatic regulation of MOSFET pre-charge currents diminish need for production MOSFET calibration
> VS monitoring in sleep mode activates MOSFET to prevent from ECU damage when motor is in generator mode

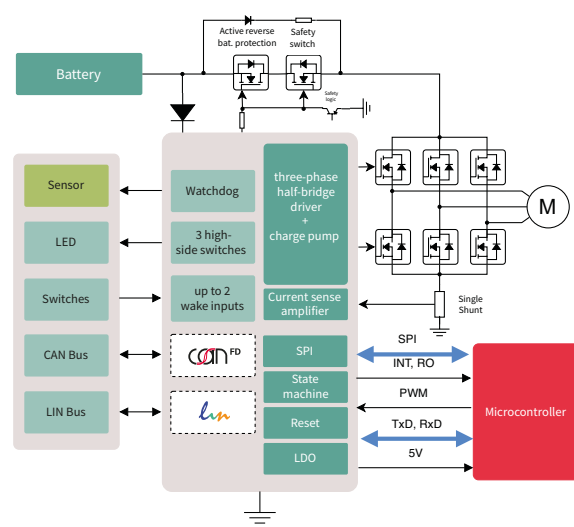
www.infineon.com/bldc-motor-system-ics
www.infineon.com/bdc-motor-system-ics

For more details on the product, click on the part number, visit infineon.com or contact our [product support](#).

Application diagram MOTIX™ TLE9560/1/2 for DC motor control



Application diagram MOTIX™ TLE9563/4 for BLDC motor control



Product table

Product variant	VCC1	CAN FD	CAN PN	LIN	HS switches	PWM input	Driver
TLE9560-3QX	5 V up to 250 mA	✓	✓	✓	4	1	2x half-bridges (100 mA const.)
TLE9561QX	5 V up to 250 mA	✓	-	-	4	4	4x half-bridges (100 mA const.)
TLE9561-3QX	5 V up to 250 mA	✓	✓	-	4	4	4x half-bridges (100 mA const.)
TLE9562QX	5 V up to 250 mA	✓	-	✓	4	2	4x half-bridges (100 mA const.)
TLE9562-3QX	5 V up to 250 mA	✓	✓	✓	4	2	4x half-bridges (100 mA const.)
TLE9563-3QX	5 V up to 250 mA	✓	✓	-	3	6	3x half-bridges (150 mA const.)
TLE9564QX	5 V up to 250 mA	-	-	✓	3	6	3x half-bridges (150 mA const.)



www.infineon.com/bldc-motor-system-ics
www.infineon.com/bdc-motor-system-ics

For more details on the product, click on the part number, visit infineon.com or contact our [product support](#).



DC and BLDC motor control shields and evaluation boards with MOTIX™ TLE9562-3QX and with MOTIX™ TLE9563-3QX

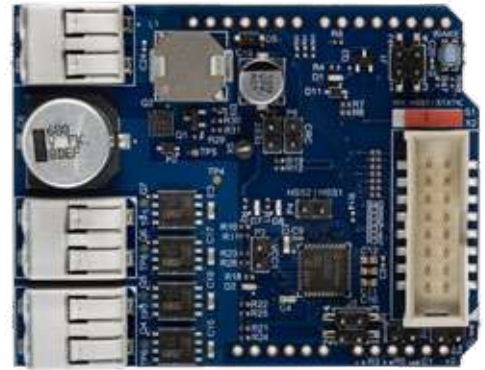
The purpose of these boards is to provide a quick evaluation solution for lab assessments. The evaluation boards offer a unique two in one solution: they can be connected via a UIO stick with the computer to evaluate features via config wizard (a graphical user interface) which can be found in the Infineon Developer Center. In addition, the evaluation boards feature an Arduino shield interface for rapid prototyping.

Summary of features BLDC motor control shield with MOTIX™ TLE9563-3QX

- › Operating voltage range 5.5-28 V with 5 V compatible logic input
- › Integrated reverse polarity protection with on-board EMC filter
- › Three integrated half-bridges MOSFET (2 in 1 MOSFET package)
- › 5 mΩ low-side current sense
- › High-power RGB LED driven by integrated high-side switches
- › On-board back-EMF detection circuit and connector for Hall-sensor
- › Arduino example codes available

Sales product name: BLDC SHIELD_TLE956X

Ordering code: BLDCSHIELDTLE956XTOBO1



Summary of features DC motor control shield with MOTIX™ TLE9562-3QX

- › Operating voltage range 5.5-28 V with 5 V compatible logic input
- › Integrated reverse polarity protection with on-board EMC filter
- › Four integrated half-bridge MOSFETs (2 in 1 MOSFET package)
- › Easy interfacing of CAN and LIN transceiver
- › Miniaturization/shrink of the PCB area
- › Arduino example codes available

Sales product name: DC SHIELD_TLE956X

Ordering code: DCSHIELDTLE956XTOBO1

Benefits of DC and BLDC motor control shields

- › 2 in 1 board with GUI and Arduino interface for evaluation and rapid prototyping
- › 50 percent reduced internal operating current consumption
- › Simplified and cost efficient ground network
- › Smaller package size for area savings
- › Very low quiescent current in sleep-mode

www.infineon.com/bldc-shield_tle956x

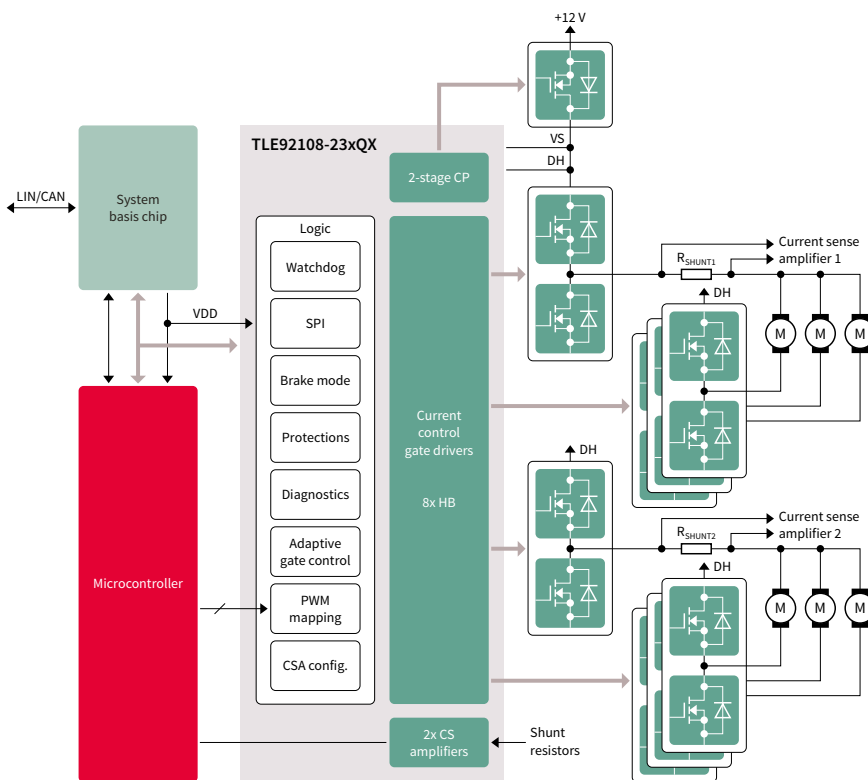
www.infineon.com/bdc-shield_tle956x



MOTIX™ multi-MOSFET driver

Multiple half-bridge drivers designed to control up to eight half-bridges

Infineon's MOTIX™ TLE9210x is a family of multi-MOSFET drivers, designed to control up to eight half-bridges (up to 16 N-channel MOSFETs) with one packaged device. Having only one device for several half-bridges enables further savings, such as less pick and place costs as well as less required PCB area compared to discrete solutions. The MOTIX™ TLE92108 and MOTIX™ TLE92104 multiple MOSFET driver offer a reliable and cost-optimized solution with state-of-the-art diagnostic and protection. The devices of the MOTIX™ TLE9210x family are pin and software compatible. Furthermore, the product family allows motor cascading: with TLE92108 (8 half-bridges), up to 7 bidirectional DC motors motors can be driven.



Product table

Type	Description	Brake mode	Package	Ordering code
TLE92108-231QX	8-fold multi-MOSFET driver IC	No	PG-VQFN-48	TLE92108231QXXUMA1
TLE92108-232QX	8-fold multi-MOSFET driver IC	Yes	PG-VQFN-48	TLE92108232QXXUMA1
TLE92104-131QX	4-fold multi-MOSFET driver IC	No	PG-VQFN-48	TLE92104131QXXUMA1
TLE92104-232QX	4-fold multi-MOSFET driver IC	Yes	PG-VQFN-48	TLE92104232QXXUMA1

MOTIX™ TLE92104-23QX APPKIT and MOTIX™ TLE92108-23QX APPKIT

Infineon's evaluation boards to measure and evaluate the hardware and software functionalities of the MOTIX™ multi-MOSFET driver family

The **TLE92104-23QX APPKIT** contains the multi-MOSFET driver IC **TLE92104-232QX**, and a typical application circuit, including 4 MOSFET half-bridges (**OptiMOS™ 40 V** MOSFETs in S308 package) to drive up to 3 bidirectional DC motors.

The **TLE92108-23QX APPKIT** contains the multi-MOSFET driver IC the **TLE92108-232QX** and a typical application circuit, including 8 MOSFET half-bridges (**OptiMOS™ 40 V** in S308 package) to drive up to 7 bidirectional DC motors.

The application boards can be connected via a UIO stick with the computer to evaluate their features via config wizard (a graphical user interface) which can be found in the Infineon Developer Center.

Ordering code: TLE9210423QXAPPKITTOB01

Ordering code: TLE9210823QXAPPKITTOB01



www.infineon.com/tle92104-23qx-appkit

www.infineon.com/tle92108-23qx-appkit

For more details on the product, click on the part number, visit infineon.com or contact our [product support](#).





Infineon support for power ICs

Useful links and helpful information

Further information, datasheets and documents

www.infineon.com/acdc

www.infineon.com/coolset

www.infineon.com/integrated-powerstages

www.infineon.com/digital-controller

www.infineon.com/lighting-ics

www.infineon.com/isoface

www.infineon.com/eicedriver

www.infineon.com/novalithic

www.infineon.com/shields-for-arduino

www.infineon.com/ipol

www.infineon.com/analog-ipol

www.infineon.com/xdp

www.infineon.com/motix

www.infineon.com/madk

www.infineon.com/optireg-linear

www.infineon.com/optireg-switcher

www.infineon.com/motor-control-ics

www.infineon.com/imotion



Support



Evaluation Board



Tools



Simulation



SiC



GaN



Si

Wide bandgap semiconductors

- › CoolGaN™ e-mode HEMTs
- › CoolGaN™ GIT HEMT 400 V
- › CoolGaN™ GIT HEMT 600 V
- › CoolGaN™ IPS half-bridge 600 V
- › CoolGaN™ product portfolio
- › Silicon carbide
- › CoolSiC™ MOSFETs 650 V overview and portfolio
- › CoolSiC™ MOSFETs 1200 V overview and portfolio
- › CoolSiC™ MOSFETs 1700 V overview and portfolio
- › CoolSiC™ Schottky diodes
- › CoolSiC™ Schottky diodes 650 V
- › CoolSiC™ Schottky diodes 1200 V
- › CoolSiC™ diodes product portfolio
- › CoolGaN™ and CoolSiC™ nomenclature

Dear users!

Our customers are at the heart of everything we do. Please give us feedback on how we can improve to meet your expectations with this document the best.

[Feedback](#)

Wide bandgap semiconductors

Gallium nitride (GaN) and silicon carbide (SiC)

The key to the next essential step towards an energy-efficient world is the use of new materials, such as wide bandgap semiconductors that allow for greater power efficiency, smaller size, lighter weight, lower overall cost – or all of these together. As the leading and trusted power supplier, Infineon offers the broadest product and technology portfolio of silicon (Si) and wide bandgap (WBG) solutions with more than 40 years of heritage in silicon, and several decades of heritage in wide bandgap technology development.

CoolGaN™ – ultimate efficiency and reliability

Compared to silicon (Si) MOSFETs, the breakdown field of Infineon's CoolGaN™ gate injection transistor (GIT) enhancement mode (e-mode) HEMTs is ten times higher, and the electron mobility is double. Both the output charge and gate charge are ten times lower than with Si and the reverse recovery charge is almost zero, which is key to high-frequency operations. GaN is the best-suited technology in hard-switching and resonant topologies, enabling new approaches in current modulation. Infineon's GaN solution is based on the most robust and performing concept in the market – the enhancement-mode concept - offering fast turn-on and turn-off speed. CoolGaN™ products focus on high performance and robustness, and add significant value to a wide variety of systems across many applications such as server, telecom, hyperscale data centers, wireless charging, adapter/charger, and audio. CoolGaN™ switches are easy to design-in with the matching [EiceDRIVER™](#) gate driver ICs optimized for [CoolGaN™ 600 V](#) from Infineon.

CoolSiC™ - revolution to rely on

Silicon carbide (SiC) has a wide bandgap of 3 electronvolts (eV) and a much higher thermal conductivity compared to silicon. SiC-based MOSFETs are best-suited for high-breakdown, high-power applications that operate at higher frequencies compared to traditional IGBTs. CoolSiC™ MOSFETs come along with a fast internal freewheeling diode, thus making hard commutation without additional diode chips possible. Due to its unipolar character, the MOSFETs show very low temperature-independent switching and low conduction losses, especially under partial load conditions. Based on proven, high-quality volume manufacturing, Infineon's silicon carbide solutions combine revolutionary technology with benchmark reliability – for our customers' success today and tomorrow. The offering is completed by [EiceDRIVER™](#) SiC MOSFET gate driver ICs based on Infineon's successful coreless transformer technology.



CoolGaN™ GIT HEMTs

Tailor-made for the highest efficiency and power density in switch-mode power supplies

Compared to the next best silicon alternative, CoolGaN™ enables higher power density and the highest efficiency, especially in the partial load range, through novel topologies such as the CCM totem-pole PFC stage. GaN e-mode HEMT performance features a low reverse recovery charge and excellent dynamic performance in reverse conduction compared to silicon FET solutions. This characteristic enables more efficient operation at established frequencies and much higher frequency operation, improving power density by shrinking the size of passive components. CoolGaN™ enables doubled output power in a given energy storage slot size, freeing up space and realizing higher efficiency simultaneously. Infineon's CoolGaN™ comes with industry-leading reliability. During the quality management process, it is not only the device that is thoroughly tested but also its behavior in the application environment. The performance of CoolGaN™ goes beyond other GaN products in the market.

Features

- › Low output charge and gate charge
- › No reverse recovery charge

Design benefits

- › High power density, small and light design
- › High efficiency in resonant circuits
- › New topologies and current modulation
- › Fast and (near-)lossless switching

Advantages

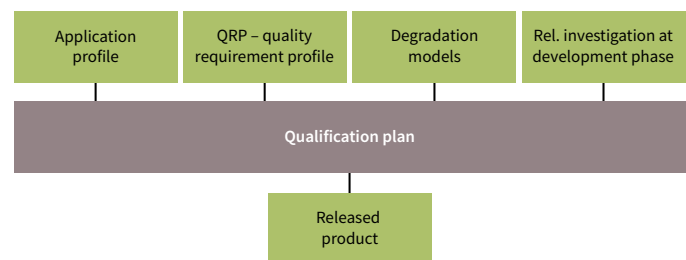
- › Operational expenses (OPEX) and capital expenditure (CAPEX) reduction
- › BOM and overall cost savings

Infineon's high- and low-voltage MOSFETs, gate-driver ICs and digital controllers complement the CoolGaN™ (discrete and integrated power stage) offering to fully exploit the benefits of GaN technology in systems.

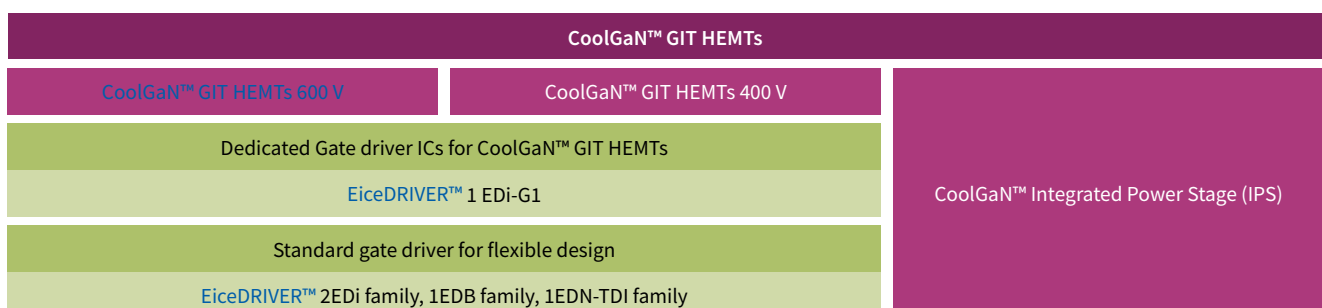
The highest quality

The qualification of GaN switches requires a dedicated approach, well above existing silicon standards

- › Infineon qualifies GaN devices well beyond industry standards
- › Application profiles are an integral part of the qualification process
- › Failure models, based on accelerated test conditions, ensure target lifetime and quality are met
- › Infineon sets the next level of wide bandgap quality



CoolGaN™ GIT HEMTs overview



www.infineon.com/gan

For more details on the product, click on the part number, visit infineon.com or contact our [product support](#).



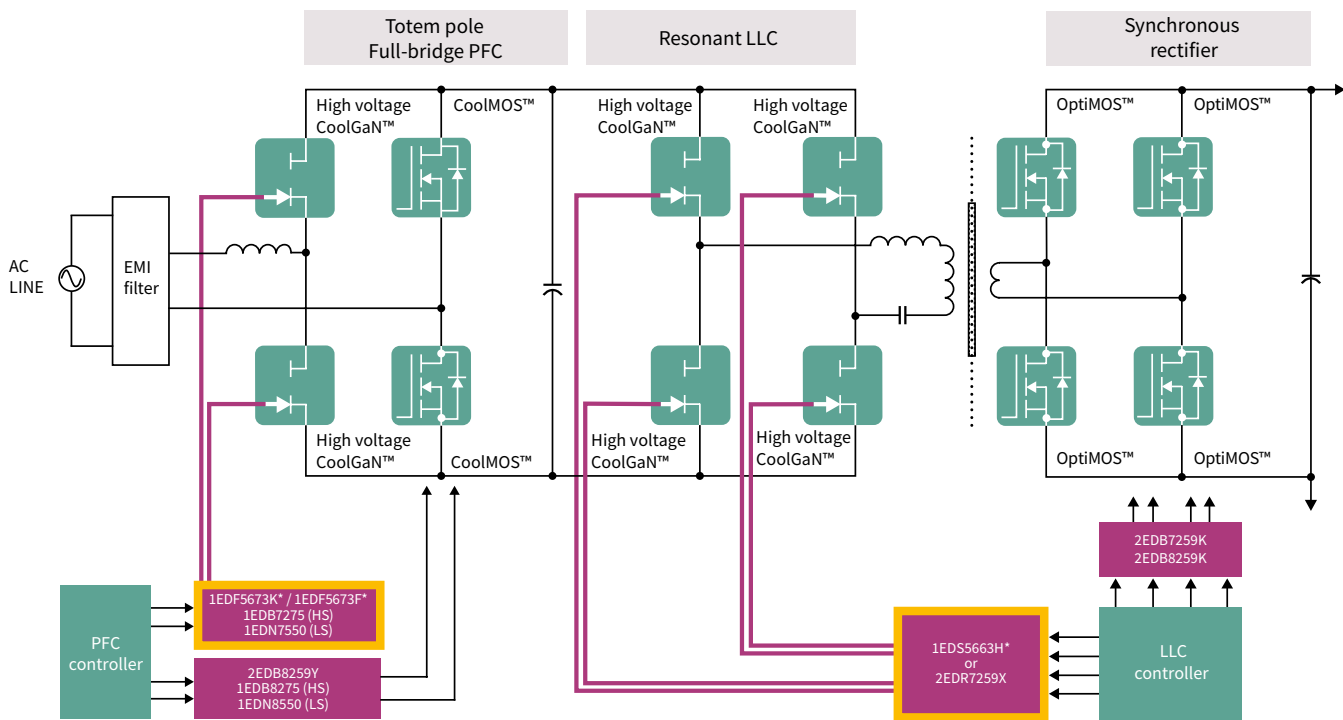
CoolGaN™ GIT HEMTs 400 V and 600 V – bringing GaN technology to the next level

Infiniteon's CoolGaN™ 400 V and 600 V GIT e-mode HEMTs enable more than 98 percent system efficiency and help customers make their end products smaller and lighter. Driving enhancement-mode devices requires additional features when choosing the correct gate driver IC. With the **EiceDRIVER™** 1EDx56x3x family, Infineon offers dedicated single-channel galvanically isolated gate driver ICs, which are a perfect fit for e-mode GaN HEMTs with non-isolated gate (diode input characteristic) and low threshold voltage, such as CoolGaN™. However, CoolGaN™ technology does not require customized ICs, and in many applications, CoolGaN™ can be driven by standard gate drivers when coupled to an RC interface.

Complete support of all requirements specific to e-mode GaN HEMTs operation:

- › Low driving impedance (on-resistance 0.85 Ω source, 0.35 Ω sink)
- › Resistor programmable gate current for steady on-state (typically 10 mA)
- › Programmable negative gate voltage to completely avoid spurious turn-on in half-bridges

Block diagram: high-efficiency GaN switched-mode power supply (SMPS)



*Single-channel EiceDRIVER™ ICs dedicated for CoolGaN™ GIT HEMTs



CoolGaN™ GIT HEMT 400 V

Class D output stage offering the best audio experience

Compared to silicon solutions, the CoolGaN™ GIT HEMT 400 V normally-off switch enables smoother switching and a more linear class D output stage by offering low/linear C_{oss} and zero Q_{rr} . Ideal class D audio amplifiers offer 0 percent distortion and 100 percent efficiency. What impairs the linearity and power loss is highly dependent on the switching characteristics of the switching device. Infineon's CoolGaN™ GIT HEMT 400 V breaks through the technology barrier by introducing zero reverse recovery charge in the body diode and minimal, linear input and output capacitances.

In addition, the e-mode concept offers fast turn-on and turn-off speed. This feature also simplifies pairing CoolGaN™ GIT with the [IRS20957SPBF](#) class D controller and therefore enables faster go-to-market.

CoolGaN™ GIT for class D audio solutions

CoolGaN™ GIT HEMT 400 V is tailored for premium HiFi home audio, professional, and aftermarket car audio systems where end-users demand every detail of their high-resolution soundtracks. These have been conventionally addressed by bulky linear amplifiers or tube amplifiers. With CoolGaN™ GIT HEMT 400 V as the class D output stage, audio designers will be able to deliver the best audio experience to their prospective audio fans.

The [IGT40R070D1](#), CoolGaN™ GIT HEMT 400 V device in HSOF-8-3 (TO-leadless) package has been tested in class D audio amplifier applications on 200 W + 200 W dual-channel system designs.

Features and benefits

Key features	Key benefits
> Ultralow and linear C_{oss} 400 V power devices	> Clean switching performance
> Zero Q_{rr}	> Narrow dead time for better THD
> E-mode transistor – normally-off switch	> Easy to use: compatible with the IRS20957SPBF class D audio control IC

The CoolGaN™ GIT HEMT 400 V device benefits from Infineon's engineering expertise in challenging applications, such as telecom rectifiers and SMPS servers, where CoolGaN™ technology proved to be highly reliable. It is the most robust and performing concept in the market. The CoolGaN™ GIT HEMT 400 V addresses class D audio requirements and comes in a high-performing SMD package to fully exploit the benefits of GaN technology.



CoolGaN™ GIT HEMTs 600 V

The highest efficiency and power density with reduced system costs

The e-mode concept offers fast turn-on and turn-off speed, as well as a better path towards integration. CoolGaN™ GIT HEMTs 600 V enable simpler and more cost-effective half-bridge topologies. As e-mode based products reach maturity, CoolGaN™ GIT HEMTs 600 V are gaining growing prominence thanks to their potential. Infineon manufactures their CoolGaN™ 600 V series according to a specific, GaN-tailored qualification process that goes far beyond the standard for silicon power devices. CoolGaN™ GIT HEMT 600 V is designed for datacom and server SMPS, telecom rectifiers, as well as mobile chargers and adapters, and can be used as a general switch in many other industrial and consumer applications. It is the most rugged and reliable solution in the market. The CoolGaN™ portfolio is built around high-performing SMD packages to fully exploit the benefits of GaN.

CoolGaN™ GIT for PFC

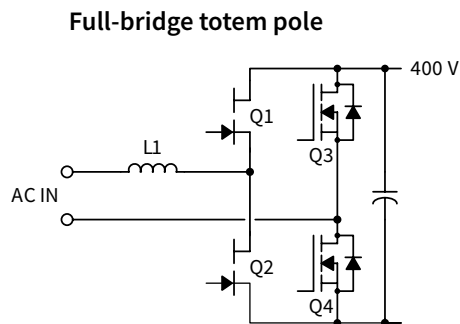
CoolGaN™ enables the adoption of simpler half-bridge topologies (including the elimination of the lossy input bridge rectifier). The result is record efficiency (>99%) with a potential for BOM savings.

CoolGaN™ GIT for resonant topologies

- › In resonant applications, ten times lower Q_{oss} and Q_G enables high-frequency operations (>1 MHz) at the highest efficiency levels
- › Linear output capacitance leads to 8 to 10 times lower dead time
- › Devices can be easily paralleled
- › Power density can be pushed even further by optimizing the thermal performance
- › CoolGaN™ enables to push the efficiency forward, thus enabling high power density e.g., in low-power chargers/adapters

Applications

- › Telecom
- › Server
- › Datacom
- › Adapter and charger
- › Wireless charging
- › SMPS

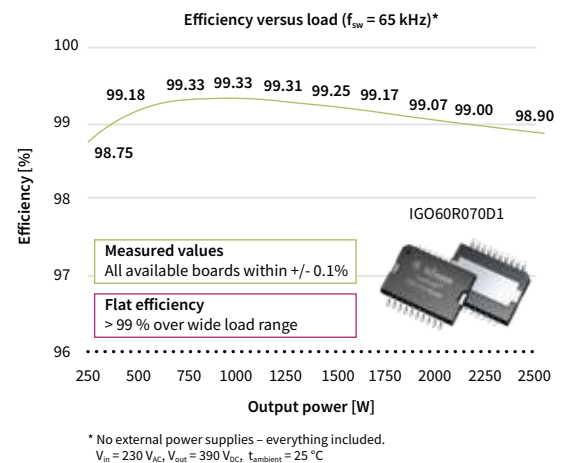


Demonstration board

2.5 kW totem-pole PFC board:
[EVAL_2500W_PFC_GAN_A](#)



- › 2 x 70 mΩ CoolGaN™ GIT HEMT in DSO-20-85
- › 2 x 33 mΩ CoolMOS™



CoolGaN™ IPS half-bridge 600 V

Ease of use with integrated drivers for highest efficiency and power density

The CoolGaN™ IPS half-bridge 600V combines a half-bridge power stage consisting of two CoolGaN™ GIT HEMTs and a dedicated gate driver IC in one thermally enhanced 8 x 8 mm QFN-28 package. The CoolGaN™ IPS HB family is available in 2x 140/200/270/500 mΩ, $R_{DS(on)}$ typ. It is thus ideally suited to support the design of compact appliances in the low-to-medium power area. Infineon's CoolGaN™ and power switches provide a very robust gate structure. When driven by a continuous gate current of a few mA in the on-state, a minimum on-resistance $R_{DS(on)}$ is always guaranteed, independent of temperature and parameter variations.

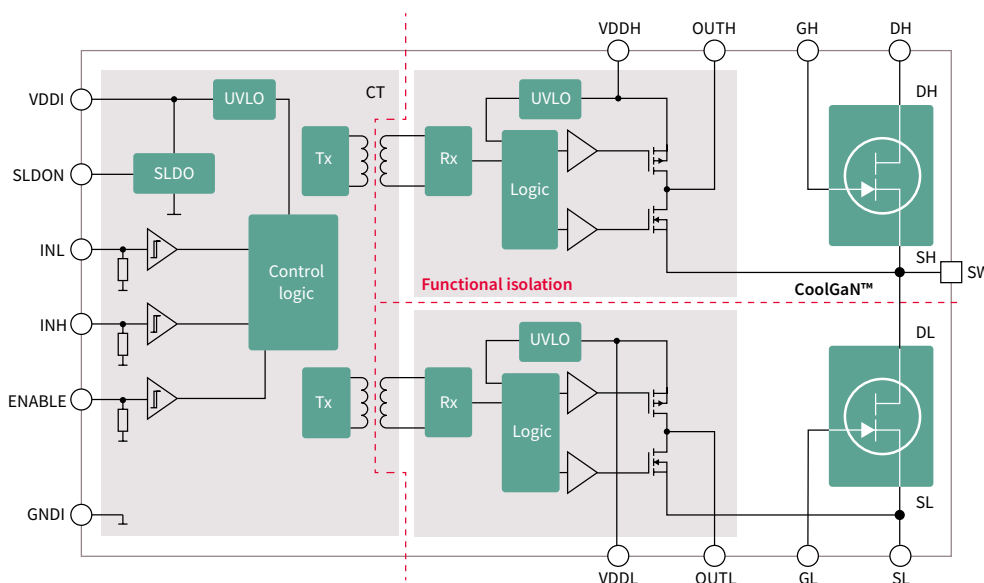
Due to the GaN-specific low threshold voltage and the fast switching transients, a negative-gate drive voltage is required in certain applications to avoid spurious turn-on effects. This can be achieved by the well-known RC interface between the driver and the switch. A few external SMD resistors and capacitors allow for easy adaptation to different applications (low/medium power, hard/soft switching).

The built-in driver utilizes an on-chip coreless transformer (CT) technology to achieve level-shifting to the high side. Besides, CT guarantees excellent robustness even for extremely fast switching transients above 150 V/ns.

The CoolGaN™ IPS 600V family today, is available in various configurations such as half-bridge and single-channel.

Features and benefits

Key features	Key benefits
<ul style="list-style-type: none"> › Digital-in, power-out building block 	<ul style="list-style-type: none"> › Easy to drive with 2x digital PWM input
<ul style="list-style-type: none"> › Application configurable switching behavior 	<ul style="list-style-type: none"> › Low system BOM
<ul style="list-style-type: none"> › Highly accurate and stable timing 	<ul style="list-style-type: none"> › Configurability of gate path with low inductance loop on PCB
<ul style="list-style-type: none"> › Thermally enhanced 8 x 8 mm QFN-28 package 	<ul style="list-style-type: none"> › Allows short dead-time setting in order to maximize system efficiency
	<ul style="list-style-type: none"> › Small package for compact system designs



CoolGaN™ GIT HEMTs 400 V



Package	HSOF-8-3 (TO-Leadless)
$R_{DS(on),max}$ / P_{max}	up to 200 W
70 mΩ	IGT40R070D1

CoolGaN™ GIT HEMTs 600 V



Package	DSO-20-85 Bottom-side cooling	DSO-20-87 Top-side cooling	HSOF-8-3 TO-Leadless	LSON-8-1 DFN 8x8	TSON-8-3 ThinPAK 5x6
42 mΩ	IGO60R042D1*	IGOT60R042D1 *	IGT60R042D1*		
70 mΩ	IGO60R070D1	IGOT60R070D1	IGT60R070D1	I GLD60R070D1	
190 mΩ			IGT60R190D1	I GLD60R190D1 I GLD60R190D1S	I GLR60R190D1
260 mΩ					I GLR60R260D1*
340 mΩ					I GLR60R340D1*

Unlock the full potential of GaN by driving CoolGaN™ HEMTs with dedicated single-channel isolated gate driver ICs from the EiceDRIVER™ family.

EiceDRIVER™ family optimized for CoolGaN™ GIT HEMTs 600 V



Product	Package	Input to output isolation				Propagation delay accuracy	Typ. high level (sourcing) output resistance	Typ. low level (sinking) output resistance	SP number
		Isolation class	Rating	Surge testing	Certification				
1EDF5673K	LGA, 13-pin, 5x5 mm	functional	$V_{IO} = 1.5 \text{ kV}_{DC}$	n.a.	n.a.	-6 ns/+7ns	0.85 Ω	0.35 Ω	SP002447622
1EDF5673F	DSO, 16-pin, 150 mil	functional	$V_{IO} = 1.5 \text{ kV}_{DC}$	n.a.	n.a.	-6 ns/+7ns	0.85 Ω	0.35 Ω	SP003194020
1EDS5663H	DSO, 16-pin, 300 mil	reinforced	$V_{IOTM} = 8 \text{ kV}_{pk}$ $V_{ISO} = 5.7 \text{ kV}_{rms}$	$V_{ISOM} > 10 \text{ kV}_{pk}$	EN 62368-1 UL1577	-6 ns/+7ns	0.85 Ω	0.35 Ω	SP002753980

EiceDRIVER™ standard gate drivers



Product	Package	Input to output isolation			Output UVLO ¹⁾	Output peak source/sink current	CMTI (min.)	Propagation delay (typ.)	Propagation delay accuracy
		Isolation class	Rating	Certification					
2EDR7259X	DSO, 14-pin, 300 mil	reinforced	$V_{ISO} = 5.7 \text{ kV}_{rms}$ $V_{IOTM} = 8 \text{ kV}_{pk}$	UL1577, VDE 0884-11	4 V	5 A/9 A	150 V/ns	38 ns	-5 ns/+9 ns
2EDR8259X ²⁾					8 V				
2EDB7259Y	DSO, 14-pin, 150 mil	single protection	$V_{ISO} = 3.0 \text{ kV}_{rms}$	UL1577	4 V	300 V/ns	45 ns	-4 ns/+6 ns	
2EDB8259Y					8 V				
1EDB7275F	DSO, 8-pin, 150 mil	single protection	$V_{ISO} = 3.0 \text{ kV}_{rms}$	UL1577	4 V	n.a.	45 ns	-7 ns/+10 ns	
1EDB8275F					8 V				
1EDN7550B	SOT23, 6-pin	non-isolated	n.a.	n.a.	4 V	n.a.	45 ns	-7 ns/+10 ns	
1EDN8550B					8 V				

CoolGaN™ IPS 600 V half-bridge / single-channel



Package	8x8 mm QFN-28	8x8 mm QFN-21
$R_{DS(on)}$ typ.		
100 mΩ		IGI60F100A1L*
140 mΩ	IGI60F1414A1L	IGI60F140A1L*
200 mΩ	IGI60F2020A1L*	IGI60F200A1L*
270 mΩ	IGI60F2727A1L*	IGI60F270A1L*
500 mΩ	IGI60F5050A1L*	

www.infineon.com/hemt

www.infineon.com/gan-ips

www.infineon.com/gan-eicedriver

* Coming soon

1) 8 V UVLO parts recommended for bipolar driving or for unipolar driving with $V_{DD} \geq 10 \text{ V}$
2) 2EDR8258X with ENABLE function also available

For more details on the product, click on the part number, visit infineon.com or contact our [product support](#).





Silicon carbide

Revolution to rely on

Silicon carbide (SiC) devices belong to the so-called wide bandgap semiconductor group, which offers many attractive characteristics for high voltage power semiconductors remove compared to commonly used silicon (Si). In particular, the much higher breakdown field strength and thermal conductivity of silicon carbide allow developing devices which by far outperform the corresponding silicon-based ones, and enable efficiency levels unattainable otherwise. Infineon's portfolio of SiC devices covers 600 V to 1200 V Schottky diodes as well as the revolutionary CoolSiC™ MOSFETs 650 V, 750 V, 1200 V and 1700 V.

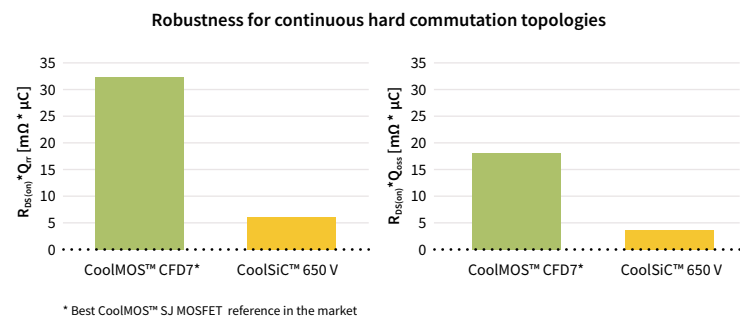
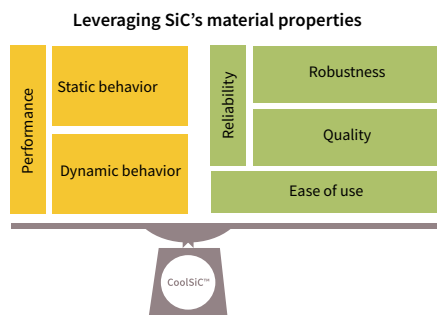
EiceDRIVER™ SiC MOSFET gate-driver ICs are well-suited to drive SiC MOSFETs, especially Infineon's ultra-fast switching CoolSiC™ SiC MOSFETs. These gate drivers incorporate the most important key features and parameters for driving SiC, such as tight propagation delay matching, precise input filters, wide output-side supply range, negative gate voltage capability, active Miller clamp, DESAT protection, and extended CMTI capability.



CoolSiC™ silicon carbide MOSFETs 650 V

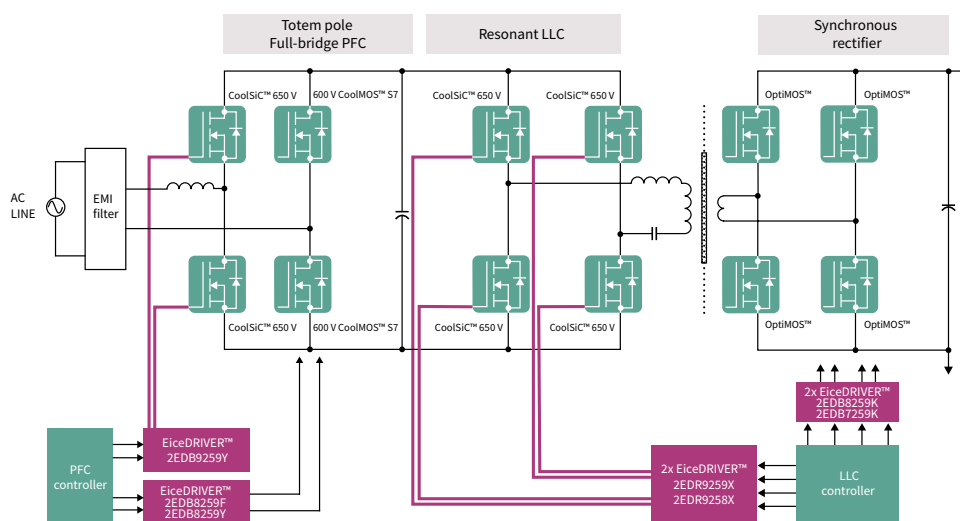
Delivering reliable and cost-effective top performance

Silicon carbide physical characteristics, from wide bandgap to electron mobility and thermal conductivity, provide the basis to engineer high-performance semiconductor technologies and products. The CoolSiC™ MOSFETs from Infineon maximize the advantages of silicon carbide, offering a high-performance product that also meets power electronics design requirements, like reliability and ease of use. As per performance, the CoolSiC™ MOSFETs show low $R_{DS(on)}$ dependency with temperature and low switching losses. The reliability is built on technological strengths and on flawless quality processes. Some aspects of Infineon's SiC technology, like superior gate oxide reliability, excellent thermal behavior, advanced avalanche ruggedness and short circuit capabilities, contribute to the robustness of the device. Infineon's benchmark quality was further improved for silicon carbide, with an application-focused qualification scope exceeding standards, complemented by SiC-specific screening measures. Additional unique features, like 0 V turn-off V_{GS} , wide V_{GS} range, and the use of silicon MOSFET drivers and driving schemas make CoolSiC™ MOSFETs 650 V easy to integrate and use.



CoolSiC™ MOSFETs can enable streamlined and cost-optimized system designs with fewer components, weight and size, reaching high energy efficiency and power density. For instance, the CoolSiC™ MOSFETs boast a low level of Q_{rr} , roughly 80% less of the best CoolMOS™ reference in the market, the CoolMOS™ CFD7. This ensures the robustness of the body diode, making the CoolSiC™ MOSFETs suitable for topologies with continuous hard commutation, like the high-efficiency totem-pole PFC, a topology that enables > 99% of efficiency.

High-efficiency CoolSiC™ totem-pole PFC in server SMPS (switched-mode power supply)



www.infineon.com/cool-sic-mosfet-discretes

www.infineon.com/SiCgd

For more details on the product, click on the part number, visit infineon.com or contact our [product support](#).



CoolSiC™ MOSFET 650 V **ACTIVE & PREFERRED**

$R_{DS(on),max}$ [mΩ]	$R_{DS(on)}$ typ. [mΩ]	TO-247 4-pin	TO-247	D ² PAK-7	TOLL
27	27	IMZA65R027M1H	IMW65R027M1H	IMBG65R027M1H	IMT65R027M1H*
42	30	IMZA65R030M1H	IMW65R030M1H	IMBG65R030M1H	IMT65R030M1H*
50	39	IMZA65R039M1H	IMW65R039M1H	IMBG65R039M1H	IMT65R039M1H*
64	48	IMZA65R048M1H	IMW65R048M1H	IMBG65R048M1H	IMT65R048M1H*
74	57	IMZA65R057M1H	IMW65R057M1H	IMBG65R057M1H	IMT65R057M1H*
94	72	IMZA65R072M1H	IMW65R072M1H	IMBG65R072M1H	IMT65R072M1H*
111	83	IMZA65R083M1H	IMW65R083M1H	IMBG65R083M1H	IMT65R083M1H*
141	107	IMZA65R107M1H	IMW65R107M1H	IMBG65R107M1H	IMT65R107M1H*
217	163			IMBG65R163M1H	IMT65R163M1H*
346	260			IMBG65R260M1H	IMT65R260M1H*

CoolSiC™ MOSFET 750 V **ACTIVE & PREFERRED**

$R_{DS(on),max}$ [mΩ]	$R_{DS(on)}$ typ. [mΩ]	QDPAK TSC	TO263-7 (D ² PAK)
11	8	AIMDQ75R008M1H*	
23	17	AIMDQ75R017M1H*	AIMBG75R017M1H*
57	42	AIMDQ75R042M1H*	AIMBG75R042M1H*
197	146	AIMDQ75R146M1H*	AIMBG75R146M1H*

www.infineon.com/coolbic-mosfet-discretes

www.infineon.com/SiCgd

* Coming soon

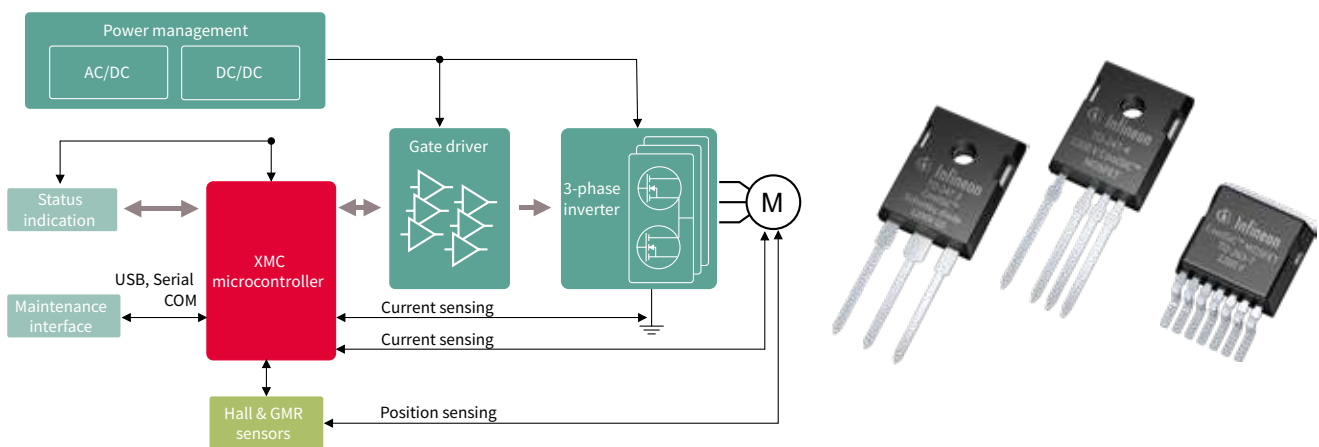
For more details on the product, click on the part number, visit infineon.com or contact our [product support](#).



CoolSiC™ silicon carbide MOSFETs 1200 V

Infiniteon's CoolSiC™ technology enables radically new product designs

Silicon carbide (SiC) opens up new degrees of freedom for designers to harness unseen levels of efficiency and system flexibility. Compared to traditional silicon-based switches like IGBTs and MOSFETs, SiC MOSFETs offer many advantages. These include the low switching losses with 1200 V and 650 V switches, very low reverse recovery losses of the internal commutation proof body diode, temperature-independent low switching losses, and threshold-free on-state characteristics. Based on volume experience and compatibility know-how, Infineon presents the revolutionary CoolSiC™ technology which enables radically new product designs with high performance and high reliability. CoolSiC™ MOSFET products are targeted for automotive, photovoltaic inverters, battery charging, EV charging, industrial drives, UPS, SMPS, and energy storage.



Features and benefits

Key features
> Very low switching losses
> Superior gate-oxide reliability
> Threshold-free on-state characteristic
> Wide gate-source voltage range
> Benchmark gate threshold voltage, $V_{GS(th)} = 4.5 \text{ V}$
> Fully controllable dV/dt
> Commutation robust body diode, ready for synchronous rectification

Key benefits
> Best-in-class system performance
> Efficiency improvement and reduced cooling effort
> Longer lifetime and higher reliability
> Enables higher frequency operation, allowing the increase in power density
> Reduction in system cost
> Ease of use

TO-247 4-pin package contains an additional connection to the source (Kelvin connection) used as a reference potential for the gate driving voltage, thereby eliminating the effect of voltage drops over the source inductance. The result is even lower switching losses than for the TO-247 3-pin version, especially at higher currents and higher switching frequencies.





The gate-source pin of the TO-263 7-pin package, similar to the TO-247 4-pin, eliminates the effect of voltage drops over the source inductance, further reducing turn-on switching loss. TO-263 7-pin package minimizes the leakage inductance between drain and source, reducing the risk of high turn-off voltage overshoot.

www.infineon.com/cool-sic-mosfet-discretes



For more details on the product, click on the part number, visit infineon.com or contact our [product support](#).



CoolSiC™ MOSFET 1200 V ACTIVE & PREFERRED		   			
Package	TO-247	TO-247-4	D ² PAK 7-pin	Gate driver for CoolSiC™	
$R_{DS(on)}$					
7 mΩ	IMW120R007M1H	IMZA120R007M1H		EiceDRIVER™ Compact: 1ED120I12MF 1ED160I12AF 1ED3124MU12F 1ED3125MU12F 1ED3122MC12H 1ED3124MC12H 1ED3241MC12H	EiceDRIVER™ Enhanced: 1ED3322MC12N 1ED3491MC12M 1ED3890MC12M 2ED020I12-F2
14 mΩ	IMW120R014M1H	IMZA120R014M1H			
20 mΩ	IMW120R020M1H	IMZA120R020M1H			
30 mΩ	IMW120R030M1H	IMZ120R030M1H	IMBG120R030M1H		
40/45 mΩ	IMW120R040M1H	IMZA120R040M1H	IMBG120R045M1H		
60 mΩ	IMW120R060M1H	IMZ120R060M1H	IMBG120R060M1H		
90 mΩ	IMW120R090M1H	IMZ120R090M1H	IMBG120R090M1H		
140 mΩ	IMW120R140M1H	IMZ120R140M1H	IMBG120R140M1H		
220 mΩ	IMW120R220M1H	IMZ120R220M1H	IMBG120R220M1H		
350 mΩ	IMW120R350M1H	IMZ120R350M1H	IMBG120R350M1H		







CoolSiC™ silicon carbide MOSFETs 1700 V

CoolSiC™ MOSFET 1700 V SMD enables best efficiency and reduced complexity for high voltage auxiliary power supplies

The CoolSiC™ 1700 V MOSFET in a TO-263-7 high-creepage package is optimized for fly-back topologies to be used in auxiliary power supplies connected to DC-link voltages 600 V up to 1000 V in numerous power applications.

Features and benefits

Key features	Key benefits
<ul style="list-style-type: none"> Optimized for flyback topologies Extremely low switching loss 12 V/0 V gate source voltage compatible with fly-back controllers Fully controllable dV/dt for EMI optimization SMD package with enhanced creepage and clearance distances, >7 mm 	<ul style="list-style-type: none"> The CoolSiC™ 1700 V MOSFET enables simple single-ended flyback topology at high efficiency level for use in auxiliary power supplies SMD package enables direct integration into PCB, with natural convection cooling without extra heatsink Reduced isolation efforts due to extended creepage and clearance distance of package Reduced system complexity High power density

CoolSiC™ MOSFET 1700 V ACTIVE & PREFERRED		     		
Package	D ² PAK 7-pin			
$R_{DS(on)}$				
450 mΩ	IMBF170R450M1			
650 mΩ	IMBF170R650M1			
1000 mΩ	IMBF170R1KOM1			

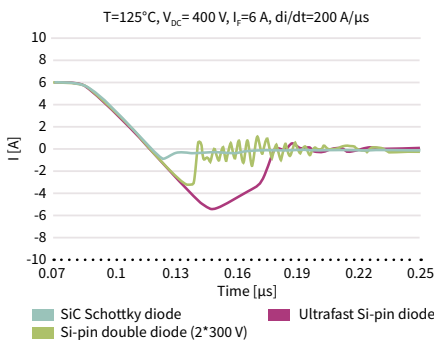


CoolSiC™ Schottky diodes

The differences in material properties between silicon carbide and silicon limit the fabrication of practical silicon unipolar diodes (Schottky diodes) to a range up to 100-150 V, with a relatively high on-state resistance and leakage current. With SiC, Schottky diodes can reach a much higher breakdown voltage. With more than 20 years of field experience in SiC, Infineon is the world's first SiC discrete power supplier. Infineon offers products up to 1200 V in discrete packages and up to 1700 V in modules.

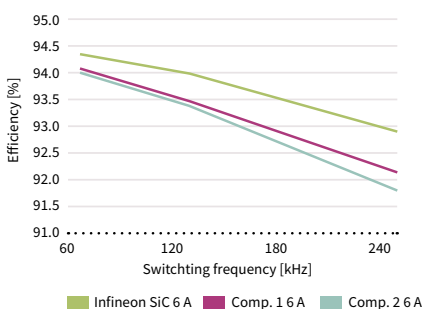
The long market presence and experience enable Infineon to deliver highly reliable, industry-leading SiC performance. With over ten years of pioneering experience in developing and manufacturing SiC diodes, Infineon's latest CoolSiC™ Schottky diode generation 6 family sets a benchmark in quality, efficiency and reliability.

Features	Advantages	Benefits	Applications
<ul style="list-style-type: none"> › No reverse recovery charge › Purely capacitive switching › High operating temperature ($T_{j, \max}$ 175°C) 	<ul style="list-style-type: none"> › Low turn-off losses › Reduction of CoolMOS™ or IGBT turn-on loss › Switching losses independent from load current, switching speed and temperature 	<ul style="list-style-type: none"> › System efficiency improvement compared to Si diodes › Reduced cooling requirements › Enabling higher frequency/increased power density › Higher system reliability due to lower operating temperature › Reduced EMI 	<ul style="list-style-type: none"> › Server › Telecom › Solar › UPS › EV charging › Energy storage › PC power › Motor drives › Lighting › CAV



Reverse-recovery charge of SiC Schottky diodes versus Si-pin diodes

The majority of carrier characteristics imply no reverse recovery charge and the only contribution to the switching losses comes from the tiny displacement charge of capacitive nature. In the same voltage range, silicon devices have a bipolar component resulting in much higher switching losses. The graph shows the comparison between various 600 V devices.



Improved system efficiency (PFC in CCM mode operation, full load, low line)

The fast switching characteristics of the SiC diodes provide clear efficiency improvements at a system level. The performance gap between SiC and high-end silicon devices increases with the operating frequency.



CoolSiC™ Schottky diodes 650 V

CoolSiC™ Schottky diodes 650 V G6 and G5

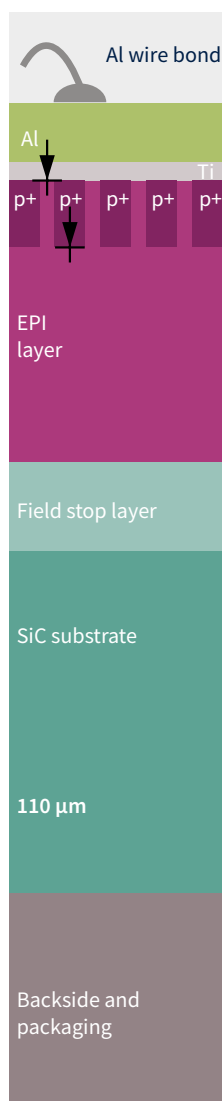
The CoolSiC™ Schottky diode 650 V G6 product family is built over the strong characteristics of the previous G5 generation, fully leveraging technology and process innovation to propose the best efficiency and zero price/performance products to date.

Foundation technology – CoolSiC™ Schottky diodes 650 V G5

The established CoolSiC™ Schottky diodes G5 product family has been optimized after all key aspects including junction structure, substrate and die attach. It represents a well-balanced product family which offers state-of-the-art performance and high surge current capability at a competitive cost level.

Innovation: optimized junction, substrate and die attach

Infinion's SiC Schottky diode generation 5 is optimized with regard to all key aspects relevant for high-power and high-efficiency SMPS applications.



Junction: merged PN structure

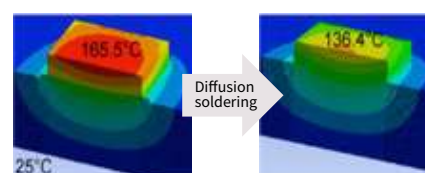
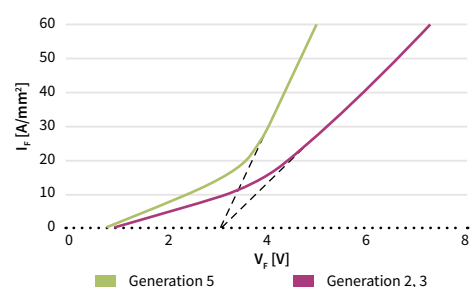
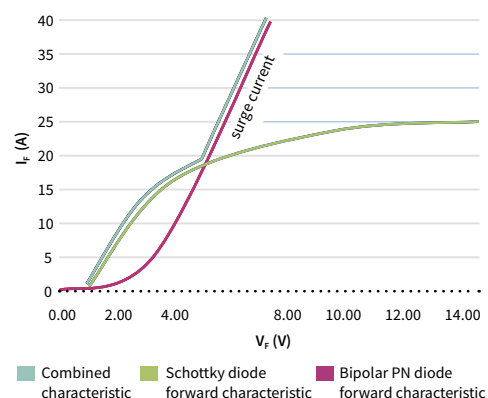
On the junction level, it has an optimized merged PN structure. Compared to competitors, Infineon's SiC diode has an additional P-doped area, which, together with the N-doped EPI layer, forms a PN junction diode. Thus, it is a combination of Schottky diode and PN junction diode. Under normal conditions it works like a standard Schottky diode. Under abnormal conditions such as lighting, AC line drop-out, it works like a PN junction diode. At high current level, the PN junction diode has a significantly lower forward voltage (V_F) than the Schottky diode, which leads to less power dissipation, thus significantly improving the surge current capability.

Substrate: thin wafer technology

On the substrate level, Infineon introduced the thin wafer technology. At the later stage of our SiC diode production, the thin wafer process is used to reduce the wafer thickness by about two-thirds, which significantly reduces the substrate resistance contribution, thus, improving both forward voltage (V_F) and thermal performance.

Die attach: diffusion soldering

On the backside, package level diffusion soldering is introduced, which significantly improves the thermal path between the lead frame and the diode, enhancing the thermal performance. With the same chip size and power dissipation, the junction temperature is reduced by 30°C.



$R_{thJC} = 2.0 \text{ K/W}$

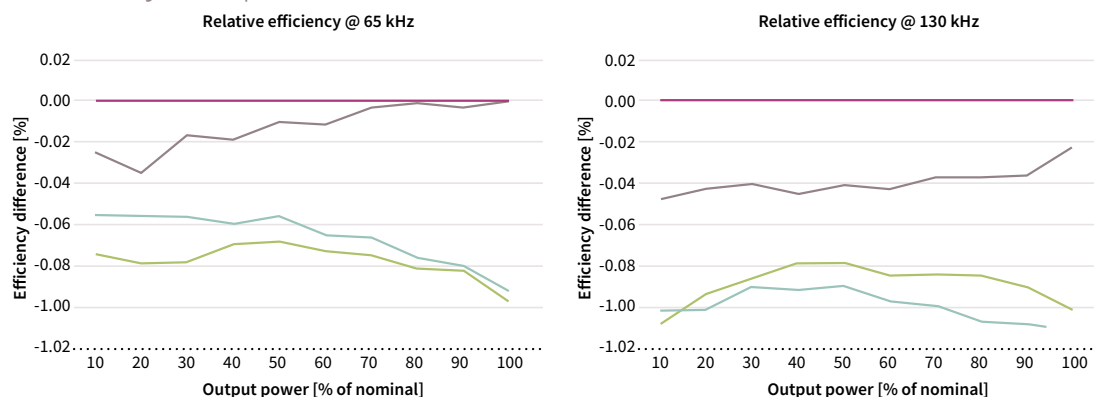
$R_{thJC} = 1.5 \text{ K/W}$



Latest development - CoolSiC™ Schottky diodes 650 V G6

The CoolSiC™ Schottky diodes G6 product family introduces a novel and proprietary Schottky metal system. This contributes to reducing the forward voltage (V_F) to challenging levels, determining a measurable decrease of conduction losses. Infineon's CoolSiC™ Schottky diodes enable optimum efficiency and ruggedness. Lower forward voltage (V_F) means lower conduction loss, and lower capacitive charge (Q_c) means lower switching loss. $Q_c \times V_F$ is the figure of merit for efficiency, and comparison indicates that the latest generation 6 products have the lowest $Q_c \times V_F$ on the market. Infineon's CoolSiC™ Schottky diodes offer a surge current robustness far better than the one offered by the most efficient products. Thus, under abnormal conditions, this surge current capability offers excellent device robustness.

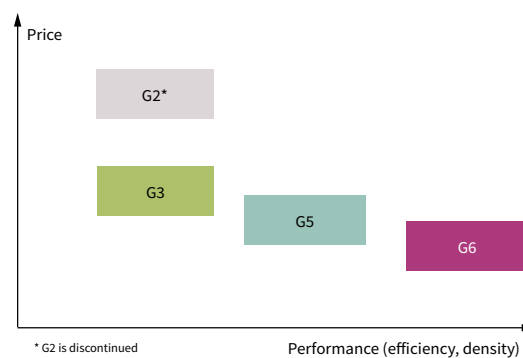
Efficiency comparison



In terms of efficiency, the 8 A G6 device has been tested in CCM PFC. The maximum output power is 3.5 kW. The left figure shows the relative efficiency at 65 kHz, while the figure on the right shows the relative efficiency at 130 kHz. This shows that Infineon's CoolSiC™ Schottky diode G6 delivers better efficiency over the full load range, keeping this advantage even at 130 kHz, therefore meeting the needs of designers who want to increase the switching frequencies in their designs to attain more power density.

The best price performance

CoolSiC™ Schottky diodes G6 are the outcome of Infineon's continuous technological and process improvements, which enable the design and development of SiC-based products, making them more price-competitive and increasing performance across generations. As a result, G6 is Infineon's best price/performance CoolSiC™ Schottky diode generation, offering the highest cost-efficiency. In addition, Infineon offers the reliability of collaborating with the industry leader. Customers can leverage Infineon's proven quality and supply chain reliability. They can benefit from "one-stop-shop" advantages and maximize system performance, combining CoolSiC™ Schottky diodes with the SJ MOSFETs of the CoolMOS™ 7 family, such as 600 V C7, 650 V C7, 600 V G7, 650 V G7 and 600 V P7.



A comprehensive portfolio

The combined G6 and G5 CoolSiC™ Schottky diode 650 V diode portfolio offers a wide choice of packages and ampere class granularity to allow the best fit to applications. G6 comes in double DPAK, the first top-side cooled surface mount package, which allows thermal decoupling of PCB to chip junction and enables higher power dissipation and improved system lifetime thanks to the reduced board temperature.

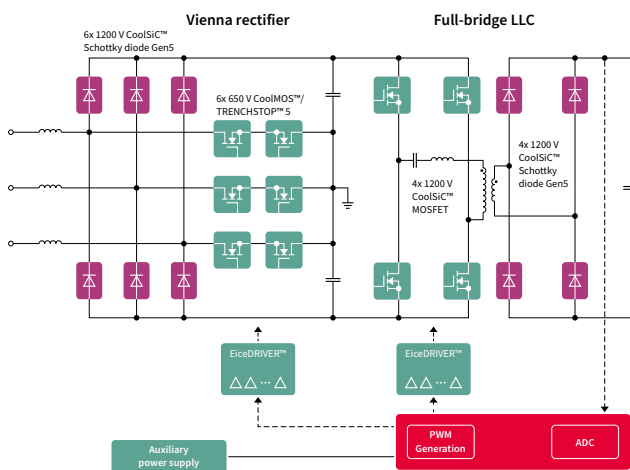


CoolSiC™ Schottky diodes 1200 V

A new level of system efficiency and reliability

By using hybrid Si power switch/SiC diode sets, industrial application designers will gain flexibility for system optimization compared to purely silicon-based solutions. SiC diodes enable system improvements such as higher output power, greater efficiency or higher switching frequency. By implementing CoolSiC™ diodes generation 5, for example, in Vienna rectifier topology, in combination with Infineon's 650 V TRENCHSTOP™ IGBTs and 650 V CoolMOS™ MOSFETs, designers can achieve outstanding system-level performance and reliability.

One of the most commonly used topologies for EV DC charging

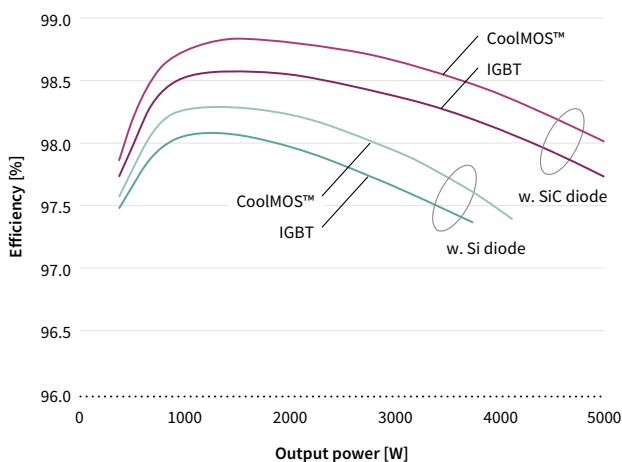


Features and benefits

Key features
> Zero Q_{rr} leading to no reverse recovery losses
> High surge current capability up to fourteen times of the nominal current
> Tight forward voltage distribution
> Temperature-independent switching behavior
> Low forward voltage ($V_F = 1.4\text{ V}$) even at high operating temperature
> Available in both through-hole and SMD packages
> Up to 40 A rated diode

Key benefits
> System efficiency improvement over Si-based diodes
> Enabling higher frequency/increased power density solutions
> High system reliability by extended surge current
> Reduced cooling requirements through lower diode losses and lower case temperatures
> System size/cost saving due to reduced heatsink requirements and smaller magnetics

650 V Si IGBT/Si SJ MOSFET and 1200 V SiC diode/ultrafast Si diode in a Vienna rectifier topology, $f_{sw}=48\text{ kHz}$



- 650 V SJ MOSFET + 1200 V SiC diode (IPW65R045C7 + IDW15G120C5B)
- 650 V IGBT + 1200 V SiC diode (IKW50N65EH5 + IDW15G120C5B)
- 650 V SJ MOSFET + 1200 V Si diode (IPW65R045C7 + Vendor A)
- 650 V IGBT + 1200 V Si diode (IKW50N65EH5 + Vendor A)

SiC vs. Si diode

- > +0.8% higher efficiency
- > Increased output power is possible

www.infineon.com/sicdiodes1200v



For more details on the product, click on the part number, visit infineon.com or contact our [product support](#).



CoolSiC™ Schottky diodes 650 V G6 **ACTIVE & PREFERRED**



I_F [A]	TO-220 R2L	Double DPAK
4	IDH04G65C6	IDDD04G65C6
6	IDH06G65C6	IDDD06G65C6
8	IDH08G65C6	IDDD08G65C6
10	IDH10G65C6	IDDD10G65C6
12	IDH12G65C6	IDDD12G65C6
16	IDH16G65C6	IDDD16G65C6
20	IDH20G65C6	IDDD20G65C6

CoolSiC™ Schottky diodes 650 V G5 **ACTIVE**

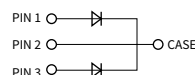


I_F [A]	TO-220 R2L	TO-247 Dual Die	TO-247	D*PAK R2L	ThinPAK 8x8
2	IDH02G65C5			IDK02G65C5	IDL02G65C5
3	IDH03G65C5			IDK03G65C5	
4	IDH04G65C5			IDK04G65C5	IDL04G65C5
5	IDH05G65C5			IDK05G65C5	
6	IDH06G65C5			IDK06G65C5	IDL06G65C5
8	IDH08G65C5			IDK08G65C5	IDL08G65C5
9	IDH09G65C5			IDK09G65C5	
10	IDH10G65C5		IDW10G65C5	IDK10G65C5	IDL10G65C5
12	IDH12G65C5		IDW12G65C5	IDK12G65C5	IDL12G65C5
16	IDH16G65C5		IDW16G65C5		
20	IDH20G65C5	IDW20G65C5B	IDW20G65C5		
24		IDW24G65C5B			
30/32		IDW32G65C5B	IDW30G65C5		
40		IDW40G65C5B	IDW40G65C5		

www.infineon.com/cool-sic-diodes

*For more information on the product, contact our product support

„B“ in product name refers to dual die with the common-cathode configuration.



For more details on the product, click on the part number, visit infineon.com or contact our [product support](#).



CoolSiC™ Schottky diodes 600 V G3 **ACTIVE**



I_F [A]	TO-220 R2L	DPAK R2L
3	IDH03SG60C	IDD03SG60C
4	IDH04SG60C	IDD04SG60C
5	IDH05SG60C	IDD05SG60C
6	IDH06SG60C	IDD06SG60C
8	IDH08SG60C	IDD08SG60C
9	IDH09SG60C	IDD09SG60C
10	IDH10SG60C	IDD10SG60C
12	IDH12SG60C	

CoolSiC™ Schottky diodes 1200 V G5 **ACTIVE & PREFERRED**

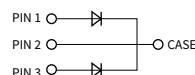


I_F [A]	TO-220 R2L	TO-247 Dual Die	TO-247 R2L	DPAK R2L	D ² PAK R2L
2	IDH02G120C5			IDM02G120C5	IDK02G120C5
5	IDH05G120C5			IDM05G120C5	IDK05G120C5
8	IDH08G120C5			IDM08G120C5	IDK08G120C5
10	IDH10G120C5	IDW10G120C5B	IDWD10G120C5	IDM10G120C5	IDK10G120C5
15/16	IDH16G120C5	IDW15G120C5B	IDWD15G120C5		IDK16G120C5
20	IDH20G120C5	IDW20G120C5B	IDWD20G120C5		IDK20G120C5
30		IDW30G120C5B	IDWD30G120C5		
40		IDW40G120C5B	IDWD40G120C5		

www.infineon.com/coolbic-diodes

*For more information on the product, contact our product support

„B“ in product name refers to dual die with the common-cathode configuration.

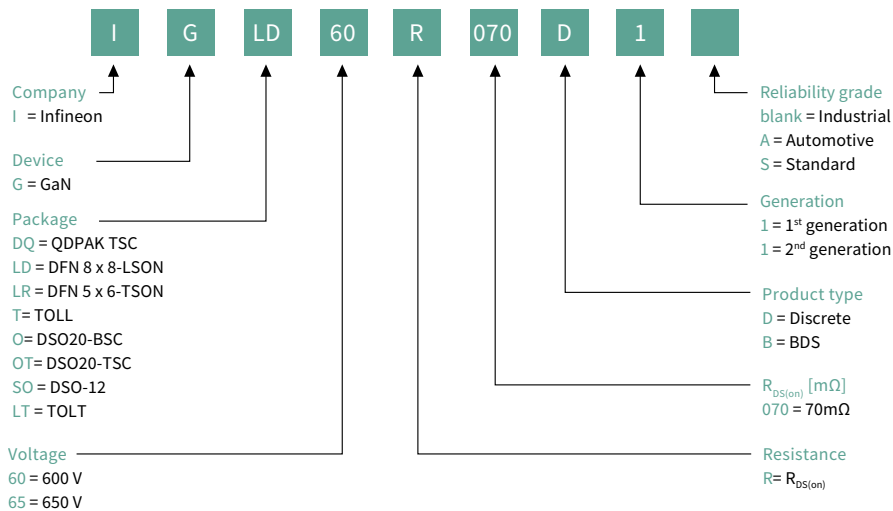


For more details on the product, click on the part number, visit infineon.com or contact our [product support](#).

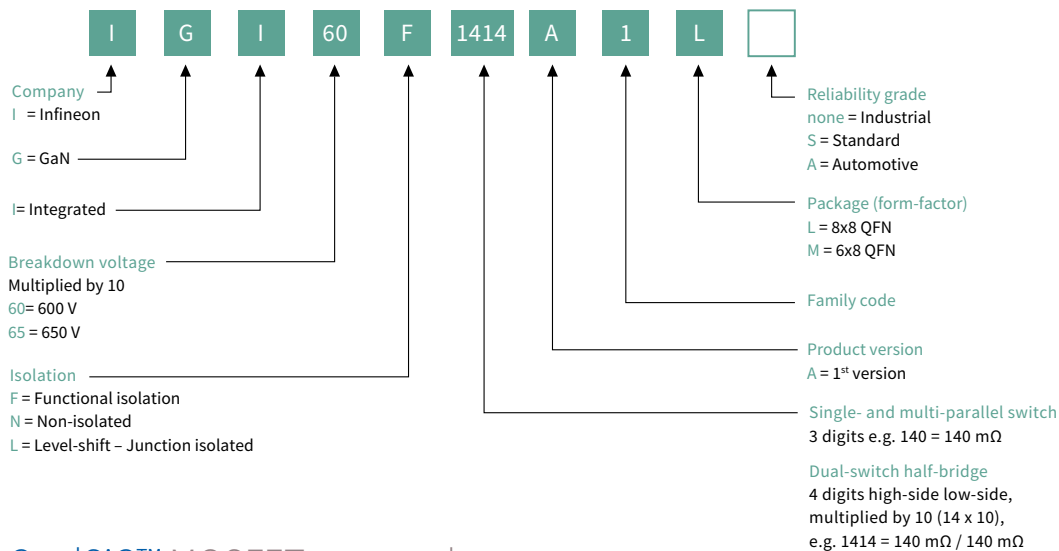


Nomenclature

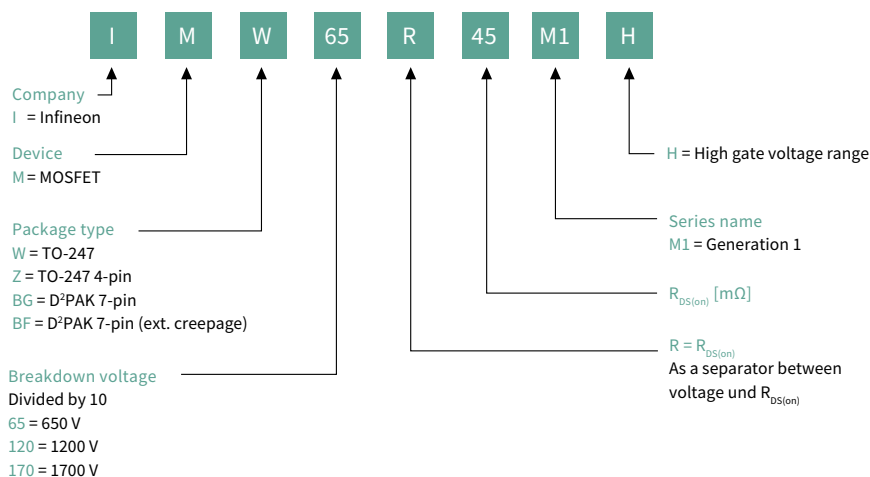
CoolGaN™ GIT HEMTs



CoolGaN™ IPS

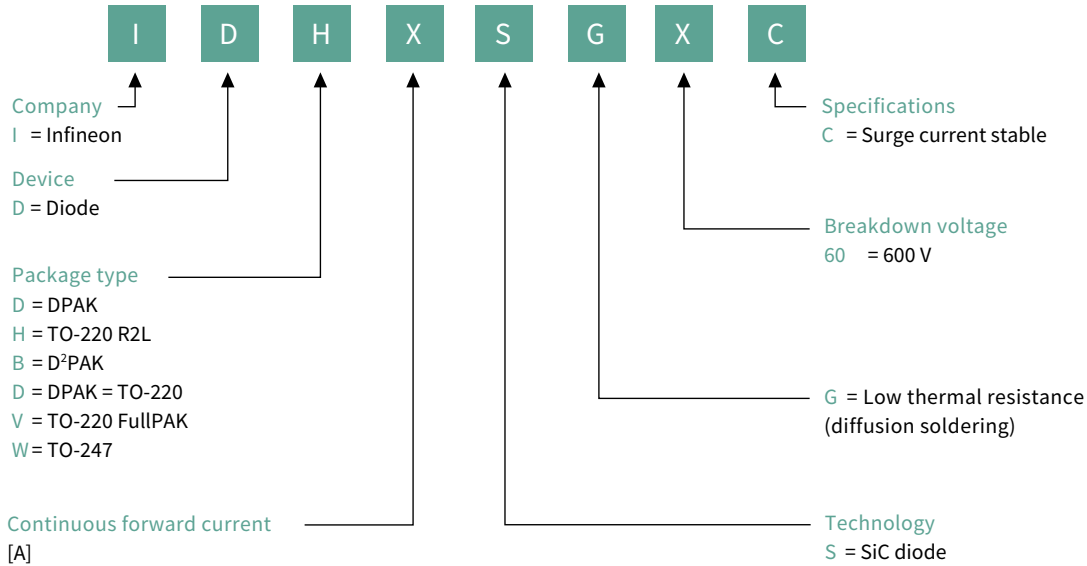


CoolSiC™ MOSFET nomenclature

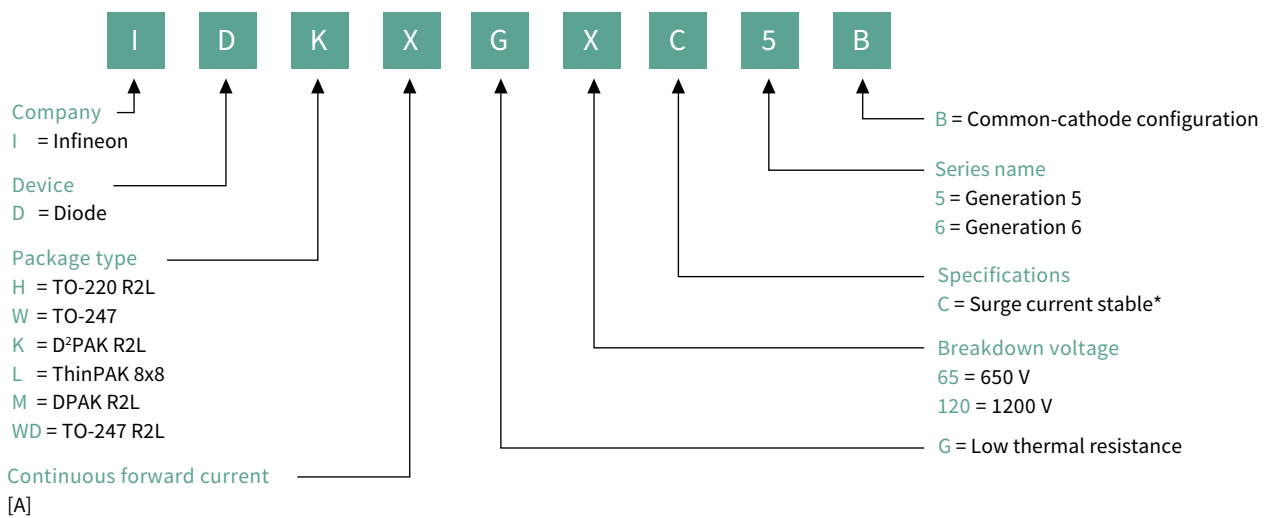


Nomenclature

CoolSiC™ Schottky diodes G2 and G3



CoolSiC™ Schottky diodes G5 and G6





Infineon support for wide bandgap semiconductors

Useful links and helpful information

Further information, datasheets and documents

www.infineon.com/wbg

www.infineon.com/gan

www.infineon.com/gan-ips

www.infineon.com/gan-eicedriver

www.infineon.com/sic

www.infineon.com/sic-diodes

www.infineon.com/SiCgd

community.infineon.com





XENSIV™ sensor technologies for automotive, industrial and consumer applications

- › Barometric (BAP) and manifold (MAP) sensors
- › Current sensors
- › Magnetic position sensors
- › Magnetic speed sensors
- › MEMS microphones for automotive
- › Intuitive sensing
- › XENSIV™ MEMS microphone for consumer applications
- › Pressure sensors for IoT
- › PAS CO2 sensor
- › 60 GHz radar sensor ICs
- › 24 GHz radar sensor ICs
- › Shield2Go
- › Sensor 2GO kits

Dear users!

Our customers are at the heart of everything we do. Please give us feedback on how we can improve to meet your expectations with this document the best.





Infineon XENSIV™ – sensing the world

Infineon XENSIV™ sensors are exceptionally precise thanks to industry-leading technologies.

From a world leader in sensing technology, XENSIV™ sensors smartify lives by enabling things to “see”, “hear”, “feel”, and “smell” and therefore intuitively “understand” their environment. As a result of proven quality and outstanding reliability, customers can count on XENSIV™ for system stability, durability and integrity. Providing high accuracy and best-in-class measurement performance, XENSIV™ sensors add great value to customer applications. More than 40 years of experience in sensing solutions and a deep-rooted system understanding result in the broadest portfolio of ready-to-use sensor solutions on the market. Ecosystem partners and our customers partner with us for leading technologies, perfect-fit solutions and continuous innovation.

In the Internet of Things, sensors are omnipresent and mark the starting point of each and every IoT system. They collect all kinds of data on their surroundings, providing the entry point for all subsequent functions and features. Building on its well-founded systems expertise, Infineon’s broad portfolio in the XENSIV™ family contains ready-to-use solutions to enable a fast time-to-market and reliable functionality for applications in the area of smart home & smart building, smart things, smart factory or smart cars.

We inspire the next generation of smart environments, capable of understanding and responding to human communication. Infineon’s semiconductors are at the very heart of machine-to-machine (M2M), human-machine interface (HMI), mobile and wireless infrastructure technologies. As the technological boundary between humans and machines gradually disappears, these devices need even more advanced intelligence, enriched with voice assistance capabilities and the latest sensor fusion innovations, not to mention robust security technologies to protect personal data. Infineon’s sensors and microphones already deliver this intelligent functionality and inspiring the next step in mobile connectivity.

www.infineon.com/xensiv

Barometric (BAP) and manifold (MAP) sensors

Infiniteon's pressure sensors offer the highest quality and accuracy for safety-relevant automotive, industrial, or consumer lifestyle applications. Typical safety-related automotive pressure sensing applications such as side-impact and pedestrian protection call for the highest quality and accuracy standards with full ISO 26262 compliance. Our XENSIV™ family includes integrated pressure sensors that tick all these boxes with PSI5 peripheral sensor interfaces for a safety-critical use case. Discover our highlight product dedicated to 2-wheelers: KP212 enables lower CO₂ emissions, as well as lower fuel consumption, which makes it the right fit product worldwide to fulfill emission regulation requirements such as CN6 and Bharat 6. Of course, these sensors can also be used in industrial control, consumer applications, as well as medical applications.

KP21x/KP22x – Analog manifold air pressure sensor IC family (MAP + turbo MAP)

Features

- › Manifold air pressure measurement – MAP and turbo MAP
- › Excellent accuracy of up to 1.0 kPa over a large temperature range
- › Ratiometric analog voltage output proportional to the applied pressure
- › Output signal fully compensated over pressure and temperature
- › Pressure range from 10 to 400 kPa
- › Temperature range from -40 to +140°C
- › Output clamping (optional)
- › Complete product family available with multiple transfer function
- › Reverse polarity protection
- › Green SMD package

KP23x – Analog barometric air pressure (BAP) sensor IC family

Features

- › Absolute air pressure measurement
- › Excellent accuracy of 1.0 kPa over a large temperature range
- › Ratiometric analog voltage output proportional to the applied pressure
- › Output signal fully compensated across pressure and temperature range
- › Pressure range from 40 to 165 kPa
- › Temperature range from -40 to +125°C
- › Serial service interface
- › Open bond detection (OBD) for supply and GND
- › Inverse polarity protection
- › Green SMD package

KP25x/KP264 – Digital barometric air pressure (BAP) sensor IC family

Features

- › Absolute air pressure measurement
- › Excellent accuracy of 1.0 kPa over a large temperature range
- › Real 10-bit pressure resolution
- › Integrated temperature sensor
- › Real 10-bit temperature resolution
- › Power-down mode for reduced power consumption
- › Self diagnosis features
- › Output signal fully compensated across pressure and temperature range
- › Pressure range from 40 to 165 kPa
- › Temperature range from -40 to +125°C
- › Green SMD package



ISO 26262 ready



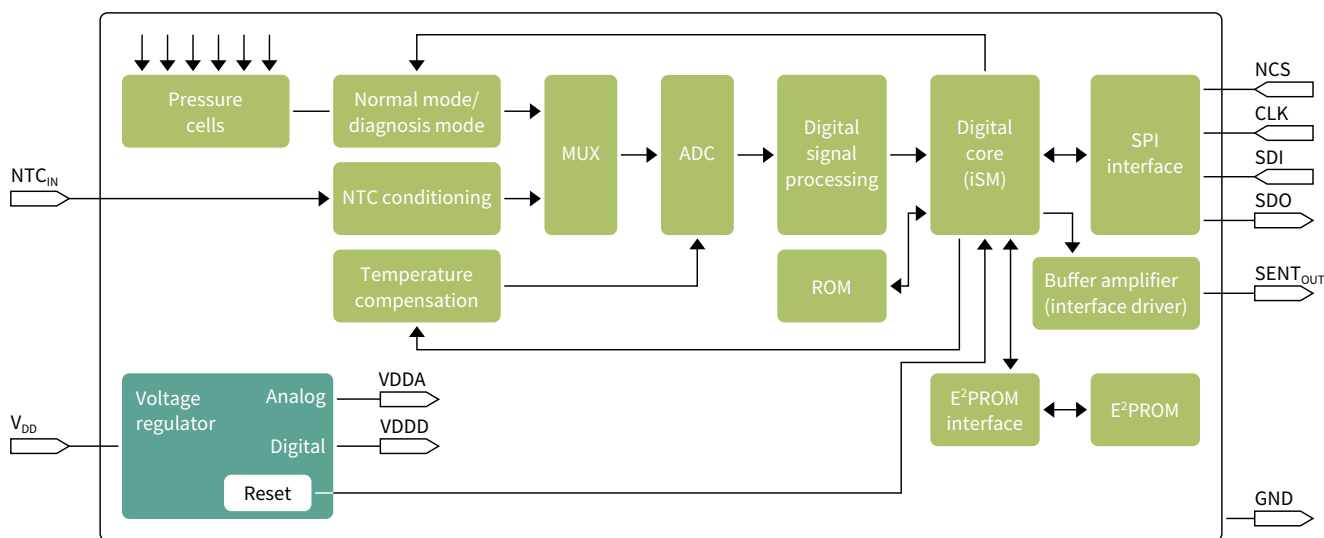
KP276

Media robust MAP sensor with digital interface

Features

- > Media robustness for current automotive requirements
- > Digital single edge nibble transmission (SENT) interface (282 clock ticks)
- > Excellent accuracy of ± 0.77 percent FSS
- > Green SMD package
- > Temperature range -40 to +170°C
- > Integrated NTC temperature sensor functionality with fast start up time (typ. 10ms)

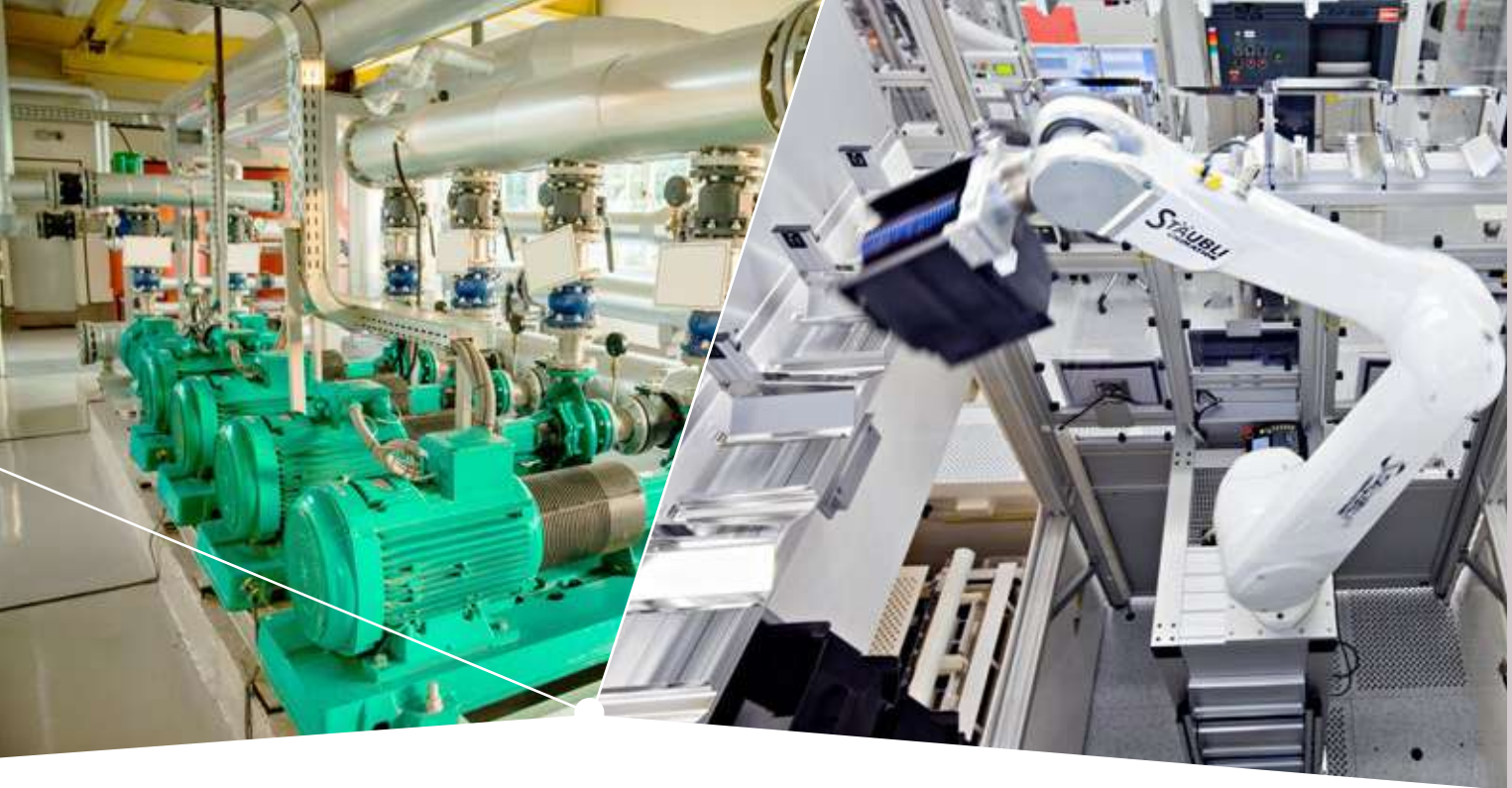
Block diagram



Integrated pressure sensor ICs for manifold and barometric air pressure

Product	Max. accuracy [kPa]	Max. operating temperature [°C]	Automotive	Industrial	ISO 26262	Pressure range [kPa]
KP21x*	1.0	140	✓	✓	-	10 ... 150
KP22x*	2.5	140	✓	✓	-	10 ... 400
KP23x*	1.0	125	✓	✓	-	15 ... 115
KP236N6165	1.0	125	✓	✓	-	60 ... 165
KP253	1.0	125	✓	✓	Ready	60 ... 165
KP254	1.5	125	✓	✓	Ready	40 ... 115
KP255*	1.4	140	✓	✓	Ready	10 ... 125
KP256	1.0	125	✓	✓	Ready	60 ... 165
KP264 ²⁾	1.5	125	✓	✓	Ready	40...115
KP276*	3.0	170	✓	✓	Ready	10...400





XENSIV™ – high-precision coreless current sensors

Used to measure both AC and/or DC currents, Infineon's current sensors provide accurate and stable current measurement up to 120 A or 2000 A respectively. Our magnetic current sensors include integrated current rail for low currents, and external current rail for medium to high currents. The products are intended for use in 48 V, as well as high voltage applications such as traction inverters, industrial drives, photovoltaic inverters, or EV charging systems.

Infineon's XENSIV™ family of high-precision coreless open-loop current sensors are less bulky, and cost less compared to core-based current sensors. Based on Infineon's precise and stable Hall effect current sensor IC technology, the current sensor analog output signal is highly linear over temperature and lifetime. Due to lacking an iron core, the sensor signal shows neither hysteresis nor does it suffer from saturation.

The differential current sensor measurement with two Hall cells ensures high accuracy even in a noisy environment with crosstalk from adjacent current lines or magnetic stray fields. Designers can program the sensitivity of the sensor as well as the threshold levels of the two dedicated overcurrent signals and, therefore, adapt them to individual requirements without any external components. The contactless current sensor IC also provides a signal in case of an over- or under-voltage condition for the supply voltage.

Infineon's product portfolio includes current sensors for both industrial and automotive application needs. Our current sensors use a high accuracy Hall effect current sensor that enables current measurements from DC to AC with a bandwidth of 210 kHz without any impact. These non-invasive Hall effect current sensors provide safe and reliable solutions for power electronics since there is no additional power dissipation. Our selection of isolated, non-contact current sensors provides excellent electrical isolation and can be used for motor control applications, as well as for current monitoring.

TLI4971

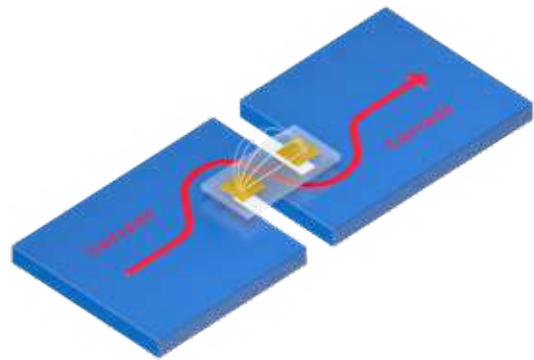
High-precision coreless sensors for industrial applications

Features

- › Integrated current rail with typical 220 $\mu\Omega$ insertion resistance enables ultralow power loss
- › Small form factor, 8x8 mm SMD, for easy integration and board area saving
- › Highly accurate, scalable, DC and AC current sensing
- › Bandwidth of 240 kHz enables wide range of applications
- › Very low sensitivity error over temperature (< 2.5%)
- › Excellent stability of offset over temperature and lifetime
- › Galvanic functional isolation up to 1150 V peak V_{IORM} ;
partial discharge capability of 1200 V; 4 mm clearance and creepage
- › Differential sensor principle ensures superior magnetic stray field suppression
- › Two independent fast over-current detection (OCD) pins with configurable thresholds enable protection mechanisms for power circuitry (typical < 1 μs)
- › Pre-calibrated sensor

Applications

- › Electrical drives (up to 690 V)
- › Photovoltaic inverter
- › General purpose & GaN-based inverters
- › Chargers
- › Power supplies



Product	Max. Error ¹⁾	Current range [A]	Bandwidth [kHz]	Sensitivity [mV/A]	Certification	Industrial	Supply [V]	Package
TLI4971-A025T5-U-E0001	3.45%	25	240 kHz typ.	48	UL	✓	3.3	TISON-8-5
TLI4971-A025T5-E0001	3.45%	25	240 kHz typ.	48	-	✓	3.3	TISON-8-5
TLI4971-A050T5-U-E0001	3.45%	50	240 kHz typ.	24	UL	✓	3.3	TISON-8-5
TLI4971-A050T5-E0001	3.45%	50	240 kHz typ.	24	-	✓	3.3	TISON-8-5
TLI4971-A075T5-UE0001	3.45%	75	240 kHz typ.	16	UL	✓	3.3	TISON-8-5
TLI4971-A075T5-E0001	3.45%	75	240 kHz typ.	16	-	✓	3.3	TISON-8-5
TLI4971-A120T5-U-E0001	3.45%	120	240 kHz typ.	10	UL	✓	3.3	TISON-8-5
TLI4971-A120T5-E0001	3.45%	120	240 kHz typ.	10	-	✓	3.3	TISON-8-5



TLE4971

High-precision coreless current sensor for automotive applications



The Infineon TLE4971 is a high-precision current sensor for bi-directional AC and DC measurements. The device has an analog interface and two fast overcurrent detection outputs that support the power circuitry's protection. Galvanic isolation is provided due to magnetic sensing principle.

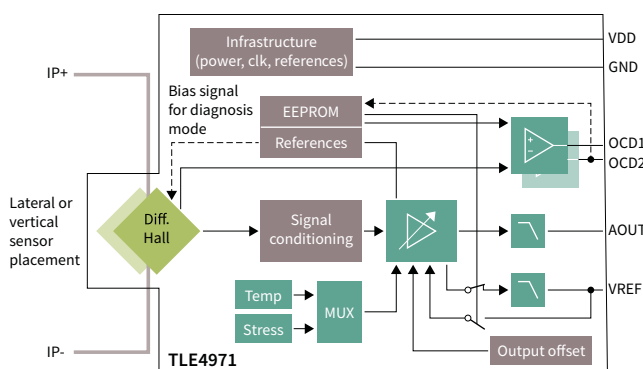
Infineon's well-established and robust monolithic Hall technology enables accurate and highly linear measurement of currents with a full scale up to 120 A. Negative effects, like saturation and hysteresis, commonly known from core-based sensor techniques, are not present in the Infineon open loop, coreless sensors principle. The smart current rail design (double U-shape) combined with a differential signal sensing makes the current sensor robust against stray fields. The sensor is shipped as a fully calibrated product without requiring any customer end-of-line calibration. It comes in a small 8 mm x 8 mm TISON-8 leadless package, which allows standard SMD assembly. The sensor can be reprogrammed for many parameters enabling the customer to achieve maximal adaption for his application requirements.

Features and benefits

Key features
> Measurement up to 70 ARMS at 690 VRMS
> Typical error at 25°C < 2 percent
> Current rail resistance at 220 μΩ and inductance <1 nH specified typical
> Analog output signal (with typ. 210 kHz) bandwidth
> Fast (<0.7 μs) overcurrent detection up to 2 x IFSR
> AEC-Q100 Grade 1 qualified

Key benefits
> Ultra-low power loss due to minimal resistance of current rail
> Reliable current measurement over lifetime (no re-calibration)
> Functional isolation for high-voltage application
> Easy and compact package allows high-power density design
> Pre-programmed variants for 25 A, 50 A, 75 A and 120 A
> High accuracy, low noise analog output

Block diagram



The integrated primary conductor (current rail) with very low insertion resistance and inductance minimizes the power loss and enables miniaturization of the sensing circuit. The analog output (AOUT) can be configured in single-ended, semi-differential, and fully-differential mode together with the voltage reference pin (VREF). Two separate overcurrent pins (OCD1/OCD2) provide a fast output signal in case the current exceeds a pre-set threshold.

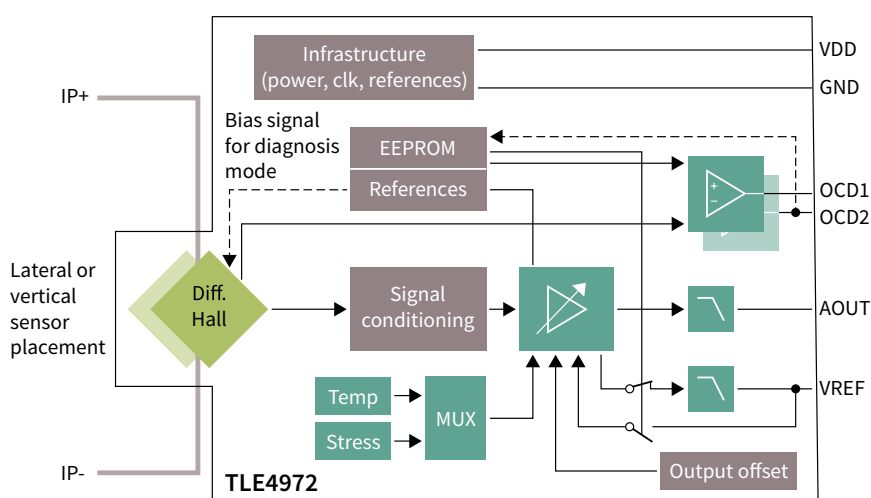
Product	Accuracy	Current range [A]	Bandwidth [kHz]	Sensitivity [mV/A]	Certification	Automotive	Industrial	Package
TLE4971-A025N5-U-E0001	3.45%	25	210 kHz typ.	48	UL	✓	✓	TISON-8-5
TLE4971-A025N5-E0001	3.45%	25	210 kHz typ.	48	-	✓	✓	TISON-8-5
TLE4971-A050N5-U-E0001	3.45%	50	210 kHz typ.	24	UL	✓	✓	TISON-8-5
TLE4971-A050N5-E0001	3.45%	50	210 kHz typ.	24	-	✓	✓	TISON-8-5
TLE4971-A075N5-U-E0001	3.45%	75	210 kHz typ.	16	UL	✓	✓	TISON-8-5
TLE4971-A075N5-E0001	3.45%	75	210 kHz typ.	16	-	✓	✓	TISON-8-5
TLE4971-A120N5-U-E0001	3.45%	120	210 kHz typ.	10	UL	✓	✓	TISON-8-5
TLE4971-A120N5-E0001	3.45%	120	210 kHz typ.	10	-	✓	✓	TISON-8-5

TLE4972

Magnetic current sensor for automotive applications

The Infineon **TLE4972** product family of core-less magnetic current sensors specifically addresses requirements for current sensing in automotive applications. The well-established and robust Hall technology enables accurate and highly linear current measurements of the magnetic field induced by the current. With its compact design and diagnosis modes, the **TLE4972** is ideal for xEV applications like traction inverters used in hybrid and battery-driven vehicles, as well as for battery main switches.

Block diagram



Features and benefits

Key features
> Hall based core-less magnetic current sensor
> AC and DC sensing
> Two dedicated pins for overcurrent detection
> Scalable sensitivity
> ISO 26262 compliant
> ASIL B as SEoC
> Typical bandwidth of 210 kHz

Key benefits
> High accuracy up to 2 kA
> Very low error over temperature and lifetime
> Protection against overcurrent events for fast switching technologies, e.g. SiC
> No saturation or hysteresis effects
> Very low power losses through sensing structure
> Ideal for platform designs

Product	Description	Meas. range [mT]	Total drift over temperature & fetime Typical ($\pm 3\sigma$) and Maximum values	Bandwidth typ. [kHz]	Diagnosis	Interface	ATV	IND	Supply [V]	Package (footprint) [mm]
TLE4972-AE35D5	High precision core-less current sensor with diagnosis capability. External current rail packages for high current measurement.	up to 31	Typ: $\pm 1.4\% \pm 3\sigma$ (25 - 125°C) Min/Max: $\pm 2\%$ (25 - 125°C)	210	OCD 1, OCD 2, OV, UV, diagnosis mode	analog	✓	✓	3.3	TDSO-16 (5x6)
TLE4972-AE35S5			Typ: $\pm 1.3\% \pm 3\sigma$ (25 - 150°C) Min/Max: $\pm 2\%$ (25 - 150°C)							VSON-6 (3.5x4.5)

Magnetic switches

The energy-saving option with excellent accuracy, robustness, and quality

TLE/TLI/TLV4961/64/6: Energy-efficient Hall switch family for up to 32 V

The TLE/TLI/TLV496x-xM/L family of Hall switches saves energy and enables designers to create precise, compact systems. With an operational current consumption of just 1.6 mA, TLE/TLI/TLV496x-xM/L products can cut energy consumption up to 50 percent when compared with similar competitor products. Thanks to its small magnetic hysteresis, the family paves the way for precise switching points in systems. The integrated temperature profile compensates magnetic drifts and enables stable performance over temperature and lifetime. TLE/TLI/TLV496x-xM products come in the small SOT23 package. The sensors also feature an integrated functionality test for better system control.

Features

- › Current consumption of just 1.6 mA
- › 3 to 32 V supply voltage range (over voltage up to 42 V)
- › 7 kV ESD protection (HBM)
- › Overtemperature and overcurrent protection
- › Temperature compensation
- › Smallest SOT23 package
- › Dedicated products for industrial applications (TLI496x)
- › AEC-Q100 qualified
- › Electrical drives

Applications

- › Window lift (index counting)
- › Power closing (index counting)
- › Gear stick (position detection)
- › Seat belt (position detection)
- › BLDC commutation
(e.g. wiper seat belt pretensioner, pump, seating)
- › Service robots
- › Power tools
- › White goods
- › Electrical drives

Product	Type	Operating point B_{op} [mT]	Release point B_{rp} [mT]	Hysteresis ΔB_{HY} [mT]	Automotive	Industrial	Consumer	Package
TLE4961-1M/L	Latch	2.0	-2.0	4.0	✓	✓	✓	SOT23/SSO-3-2
TLE4961-2M	Latch	5.0	-5.0	10.0	✓	✓	✓	SOT23
TLE4961-3M/L	Latch	7.5	-7.5	15.0	✓	✓	✓	SOT23/SSO-3-2
TLE4964-1M	Switch	18.0	12.5	5.5	✓	✓	✓	SOT23
TLE4964-2M	Switch	28.0	22.5	5.5	✓	✓	✓	SOT23
TLE4964-3M	Switch	12.5	9.5	3.0	✓	✓	✓	SOT23
TLE4964-5M	Switch	7.5	5.0	2.5	✓	✓	✓	SOT23
TLE4968-1M/L	Bipolar	1.0	-1.0	2.0	✓	✓	✓	SOT23/SSO-3-2
TLE4961-5M	Latch	15.0	-15.0	30.0	✓	✓	✓	SOT23
TLE4961-4M	Latch	10.0	-10.0	20.0	✓	✓	✓	SOT23
TLE4964-4M	Switch	10.0	8.5	1.5	✓	✓	✓	SOT23
TLE4964-6M	Switch	3.5	2.5	1.0	✓	✓	✓	SOT23
TLV4964-1M	Switch	18.0	12.5	5.5	-	-	✓	SOT23
TLV4964-2M	Switch	28.0	22.5	5.5	-	-	✓	SOT23
TLI4961-1M/L	Latch	2.0	-2.0	4.0	-	✓	✓	SOT23/SSO-3-2
TLV4961-3M	Latch	7.5	-7.0	15.0	-	-	✓	SOT23



TLE/TLI4963/65-xM

5 V high-precision automotive/industrial Hall-effect sensors

By offering an excellent magnetic behavior Infineon's switches are ideally suited for:

- › Index counting application with a pole wheel
- › Rotor position detection (BLDC motors)
- › Open/close detection

Features

- › 3.0 to 5.5 V operating supply voltage
- › Low current consumption 1.4 mA
- › ESD protection 4 kV HBM
- › Active error compensation (chopped)
- › High stability of magnetic thresholds
- › Low jitter (typ. 0.35 μ s)
- › Operating temperature range:
 - from -40 to +170°C (TLE496x-xM)
 - from -40 to +125°C (TLI496x-xM)
- › Small SMD package SOT23
- › TLE: AEC-Q100 qualified
- › TLI: JESD47 qualified



Product	Type	Operating point B_{OP} [mT]	Release point B_{RP} [mT]	Hysteresis ΔB_{HY} [mT]	Automotive	Industrial	Package
TLE4963-1M	Latch	2.0	-2.0	4.0	✓	✓	SOT23
TLE4963-2M	Latch	5.0	-5.0	10.0	✓	✓	SOT23
TLE4965-5M	Unipolar switch	7.5	5.0	2.5	✓	✓	SOT23
TLI4963-1M	Latch	2.0	-2.0	4.0	-	✓	SOT23
TLI4963-2M	Latch	5.0	-5.0	10.0	-	✓	SOT23
TLI4965-5M	Unipolar switch	7.5	5.0	2.5	-	✓	SOT23

TLV496x-xTA/B

Precision Hall-effect sensor for consumer applications in leaded package

Features

- › 3.0 to 26 V operating supply voltage
- › Low current consumption 1.6 mA
- › ESD protection 4 kV HBM
- › Operating temperature range from -40 to +125 °C
- › Leaded package TO92S

Applications

- › BLDC motor commutation for consumer devices (e.g. e-bikes, fans, aircons)
- › Position detection e.g. flaps and control buttons



Product	Type	Operating point B_{OP} [mT]	Release point B_{RP} [mT]	Hysteresis ΔB_{HY} [mT]	Consumer	Package
TLV4961-1TA	Latch	2.0	-2.0	4.0	✓	TO92S-3-1
TLV4961-1TB	Latch	2.0	-2.0	4.0	✓	TO92S-3-2
TLV4961-3TA	Latch	7.5	-7.5	15.0	✓	TO92S-3-1
TLV4961-3TB	Latch	7.5	-7.5	15.0	✓	TO92S-3-2
TLV4964-4TA	Unipolar switch	10.0	8.5	1.5	✓	TO92S-3-1
TLV4964-4TB	Unipolar switch	10.0	8.5	1.5	✓	TO92S-3-2
TLV4964-5TA	Unipolar switch	7.5	5.0	2.5	✓	TO92S-3-1
TLV4964-5TB	Unipolar switch	7.5	5.0	2.5	✓	TO92S-3-2
TLV4968-1TA	Latch	1.0	-1.0	2.0	✓	TO92S-3-1
TLV4968-1TB	Latch	1.0	-1.0	2.0	✓	TO92S-3-2



TLx4966

Two-in-one double Hall sensor

Features

- › Two Hall probes for information on speed and direction
- › Excellent matching between the two Hall probes
- › Hall plate distance of 1.45 mm
- › High resistance to mechanical stress by Active Error Compensation
- › TSOP6 package
- › TLE: AEC-Q100 qualified
- › TLI: JESD47 qualified

Applications

- › Window lift
- › Sunroof
- › Automatic tailgate
- › Automated doors
- › Sun blinds
- › Garage doors

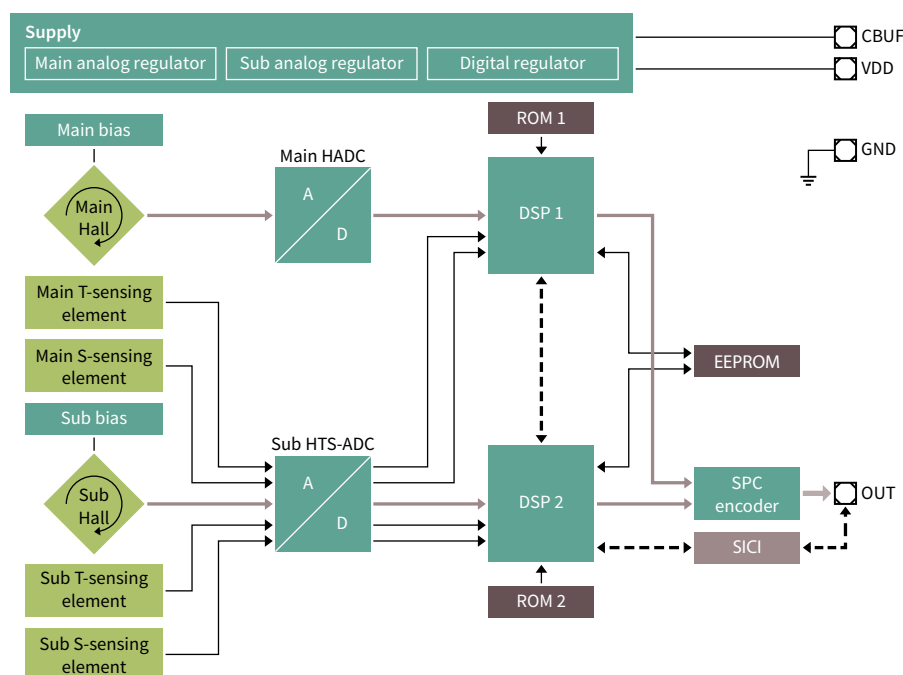
Product	Production samples	Temperature range [°C]	Operating voltage [V]	Magnetic thresholds	Output	Comment	Package
TLI4966G	Available	-40 to +125	2.7–24	Bop: +7.5 mT Brp: -7.5 mT	Speed and direction	› Horizontal Hall plates › For industrial applications › SMD package	TSOP6-6
TLE4966G	Available	-40 to +150	2.7–24	Bop: +7.5 mT Brp: -7.5 mT	Speed and direction	› Horizontal Hall plates › SMD package	TSOP6-6
TLE4966-2G	Available	-40 to +150	2.7–24	Bop: +7.5 mT Brp: -7.5 mT	Speed and speed	› Horizontal Hall plates › SMD package	TSOP6-6
TLE4966-3G	Available	-40 to +150	2.7–24	Bop: +2.5 mT Brp: -2.5 mT	Speed and direction	› Horizontal Hall plates › SMD package	TSOP6-6
TLE4966V-1G	Available	-40 to +150	3.5–32	Bop: +2.5 mT Brp: -2.5 mT	Speed and direction	› Horizontal Hall plates › SMD package	TSOP6-6
TLE4966L	Available	-40 to +150	2.7–24	Bop: +7.5 mT Brp: -7.5 mT	Speed and direction	› Horizontal Hall plates › Leaded package	SSO-4-1



Linear sensors

Programmable dual channel linear Hall sensor with fast SPC interface for high precision applications

Infiniteon's **TLE4999C8** is a programmable dual channel linear Hall sensor designed to meet the requirements of safety critical automotive and industrial applications. It is developed in full compliance with ISO 26262 by means of two sensor elements included within one monolithic silicon design. In order to fulfill the state-of-the-art safety requirements on system level and enable ASIL D system developments the sensor cells are designed in a complementary way. Their signals follow two independent analog paths. Each signal path has its own digital signal processing unit to ensure maximum independency - redundancy, respectively. The sensor offers a multi-point calibration with up to 9 selectable set points for enhanced linearization of the output signal. For an easy and flexible adaptation to non-linearity of magnetic circuit design, the chip provides 5 different calibration characteristics. TLE4999C features a digital Short-PWM-Code (SPC) interface, with a bus-capability for up to 4 sensor ICs on a single data output. The communication interface with min. 0.5 μ s unit time guarantees a fast transmission of complete 2 channel data signal in less than 500 μ s. The additionally implemented frame holder circuit enables the synchronicity of multiple sensors (e.g. in combinations of angle sensors) via a SPC bus. The chip offers a 12, 14 and 16 Bit resolution of the output signal, ensuring highest flexibility and superior noise performance. Highest accuracy over a wide temperature range and lifetime is achieved by an integrated digital temperature- and stress-compensation. The chip is available in a thin 8-pin SMD single sensor package.



Features

- › Fully ISO 26262 compliant, supports ASIL D systems
- › < 2 % sensitivity drift, < 100 μ T offset drift
overtemperature and life time specification
- › Integrated digital temperature- and stress-compensation
- › Fast digital SPC interface with a unit time down to 0.5 μ s
- › Multi-point calibration with up to 9 linearization
set points

Key benefits

- › High diagnostic coverage, ISO 26262-compliance and
dual sensor cell integration enable development of fail
operational systems
- › Multi-point calibration for better fit into various
magnetic circuit designs
- › Easy system integration due to programmability of
several sensor parameters

Applications

Automotive safety critical applications

- › Electric power steering
- › Linear movement position sensing
- › Pedal position
- › Electric throttle control
- › Seat rail adjustment
- › Headlight adjustment

Industrial applications

- › Small home appliances
- › Joystick applications

Sales name	Interface	Magnetic linear range [mT]	Sensitivity	Sensitivity drift [%] ¹⁾	Gain	Magnetic offset drift [μ T] ¹⁾	ISO 26262	Ordering code	Package
TLE4997A8D	Analog ratiometric	50, 100, 200	± 60 mV/mT default for 100 mT range, with gain 1.5	± 3	± 4	< ± 400	Ready	SP000902760	TDSO8
TLE4998P8D	Digital interface PWM	50, 100, 200	± 48 LSB ₁₂ /mT default for 100 mT range, with gain 1.5	± 2	± 4	< ± 400	Ready	SP000902776	TDSO8
TLE4998S8D	Digital interface SENT	50, 100, 200	± 48 LSB ₁₂ /mT default for 100 mT range, with gain 1.5	± 2	± 4	< ± 400	Ready	SP000902784	TDSO8
TLE4998C8D	Digital interface SPC	50, 100, 200	± 48 LSB ₁₂ /mT default for 100 mT range, with gain 1.5	± 2	± 4	< ± 400	Ready	SP000902768	TDSO8
TLE4999I3	Digital interface PSIS	12.5, 25	± 147.5 LSB ₁₃ /mT default for 25 mT range, with gain 1.5	± 2	± 5	< ± 100 / < ± 200 ²⁾	Compliant	SP001689862	SSO-3
TLE4999C8/4	Digital interface SPC	25, 50	± 36.875 LSB ₁₂ /mT default for in 50 mT range, with gain 1.0	± 2	± 5	< ± 100 / < ± 200 ²⁾	Compliant	SP002662500	TDSO8 SSO-4

1) Maximum over drift overtemperature and life time
2) Main channel/sub channel



TLE499x family

Programmable analog/digital linear Hall sensor family

Infiniteon's family of TLE499x linear Hall ICs is tailored to the needs of highly accurate angular and linear position detection and current measurement applications. Each product measures the vertical component of a magnetic field and outputs a signal that is directly proportional to the magnetic field. These programmable linear Hall sensors come with different interface options: TLE4997 features ratiometric analog output, while TLE4998P comes with pulse width modulation (PWM), TLE4998S with single edge nibble transmission (SENT), and TLE4998C with short PWM codes (SPC). These high-precision 12-bit resolution linear Hall sensors feature EEPROM memory for flexible programming across a wide range of parameters. Thanks to digital signal processing based on a 20-bit DSP architecture plus digital temperature compensation, these sensors deliver outstanding temperature stability compared with similar compensation methods. TLE4998 also includes stress compensation to withstand stress effects from the package, such as moisture, thus ensuring best-in-class accuracy over the device's lifetime.

Features

- > Best-in-class accuracy with low drift of output signal temperature range lifetime (including stress compensation in TLE4998)
- > Programmable transfer function (gain, offset), clamping, bandwidth, and temperature characteristics
- > AEC-Q100 qualified
- > Available in various packages including SSO-3-9 with two integrated capacitors to improve ESD and ESC behavior
- > Dual-die SMD package
- > TLE4997, TLE4998 ISO 26262 ready
- > TLE4999 fully ISO 26262 compliant for highest ASIL-levels

Applications

- > Detecting linear and angular position
- > Detecting pedal and throttle position
- > Steering torque measurement
- > Headlight leveling
- > High-current sensing
- > Seat position and occupant detection
- > Suspension control
- > Detecting gear stick/lever positions
- > Detecting fuel tank levels
- > Current sensing e.g. for battery management

Product	Programmable	Number of pins	Sensitivity (programmable range)	Magnetic offset	Supply voltage (extended range)	Automotive	ISO 26262	Interface	Package
TLE4997	EEPROM	3/Single die SMD 8	±12.5 to ±300 mV/mT	< ±400 µT	5 V ±10% (7 V)	✓	-	Analog	SSO-3-10 TDSO8
TLE4998P	EEPROM	3/4/Single die SMD 8	±0.2 to ±6%/mT	< ±400 µT	5 V ±10% (16 V)	✓	Ready	PWM	SSO-3-10 SSO-4-1 SSO-3-9 (2 capacitors) TDSO-8
TLE4998S	EEPROM	3/4/Single die SMD 8	±8.2 to ±245 LSB ₁₂ /mT	< ±400 µT	5 V ±10% (16 V)	✓	Ready	SENT	SSO-3-10 SSO-4-1 SSO-3-9 (2 capacitors) TDSO8
TLE4998C	EEPROM	3/4/Single die SMD 8	±8.2 to ±245 LSB ₁₂ /mT	< ±400 µT	5 V ±10% (16 V)	✓	Ready	SPC	SSO-3-10 SSO-4-1 SSO-3-9 (2 capacitors) TDSO8
TLE4999I3	EEPROM	3	±73.72 to ±147.44 LSB ₁₃ /mT ¹⁾	< ±300 µT	5.5-7V ±10% (16V)	✓	Compliant	PSI5	SSO-3-12
TLE4999C8/4	EEPROM	Single die SMD 8	±36.85 to ±73.7 LSB ₁₂ /mT	< ±300 µT	5 V ±10% (16 V)	✓	Compliant	SPC	TDSO8

1) 147.44 LSB₁₃ converts to 294.88 LSB₁₂



Dual linear sensors

Two sensors in one SMD package

The SMD package (TDSO) includes two independent sensors with separate power supplies and separate signal outputs. Due to special mounting technology, Infineon can keep dual-sensor package sizes very small to enable compact PCB layouts and small magnet sizes.

Infineon offers a wide range of Hall sensors in the TDSO package. The combination of two sensors in one package offers sensors redundancy, a feature that is especially interesting for new generation EPS steering systems with increased ISO 26262 requirements and other safety-critical applications. All sensors are automotive qualified.

Most products are also available as a single-sensor solution with only one sensor. The newest member of the TLE499x family, the [TLE4999I3](#), is a fully ISO 26262-compliant linear Hall sensor that includes 2 sensor channels on one chip. The SSO-3 package allows PCB-less application flexibility and the PSi5 interface enables low EMI at high-speed communication with minimum wiring.

Features

- › Two sensors in one package
- › Separate power supply and signal output
- › AEC-Q100 qualified
- › Temperature range from -40 to +125°C
- › Outstanding quality
- › Single-sensor versions available
- › 16-pin and 8-pin versions available
- › ISO 26262-ready
- › [TLE4999I3](#) ISO 26262-compliant

Automotive applications

- › Steering torque systems
- › Pedal position
- › Any other safety-critical application

Product	Interface	Dual-/ single-sensor available	ISO 26262	Package
TLE4997A8D	Analog	yes/yes	Ready	TDSO8
TLE4998P8D	PWM	yes/yes	Ready	TDSO8
TLE4998S8D	SENT	yes/yes	Ready	TDSO8
TLE4998C8D	SPC	yes/yes	Ready	TDSO8
TLE4999I3	PSi5	monolithic ¹⁾	Compliant	SSO-3
TLE4999C8/4	SPC	monolithic ¹⁾	Compliant	TDSO8

1) 2 sensor channels on one chip



Angle sensors

Compact designs in small outline packages

Highest variety - low end to high end, standardized and specialized in all four magnetic technologies: Hall, GMR, AMR and TMR

Infiniteon's magnetic sensor products TLE5501, are fast analog TMR-based angle sensors dedicated to automotive applications. Their fields of use range from steering angle applications, with the highest functional safety requirements, to motors for wipers, pumps and actuators, and electric motors in general. They are also ready to be used in industrial and consumer applications like robotics or gimbal. Angle sensors detect the orientation of an applied magnetic field by measuring sine and cosine angle components with monolithically integrated magnetoresistive elements.

Infiniteon's iGMR sensors are ideal for applications with a wide-angle range, such as BLDC motors or steering sensors. They are pre-calibrated and ready to use. Different levels of signal processing integration enable designers to optimize system partitioning. The XENSIV™ iAMR sensors also perfectly fit applications with the highest accuracy requirements, as they offer the best performance over temperature, lifetime, and magnetic field range.

iGMR, iAMR and iTMR based angle sensors

Diverse redundant sensor with analog and digital interface

Product	Technology	Die configuration	ISO 26262	Sin/cos output	Angle output	Second interface	Accuracy	Package
TLE5009*	GMR	Single die	Ready	Analog sin/cos	-	-	0.9°	DSO8
TLE5009A16(D)*	GMR	Dual die	Ready	Analog sin/cos	-	-	1.0°	TDSO-16
TLE5011	GMR	Single die	Ready	SSC (SPI)	-	-	1.6°	DSO8
TLI5012B*	GMR	Single die	QM	SSC (SPI)	SSC (SPI)	PWM/IIF/SPC/HSM	1.9°	DSO8
TLE5012B(D)*	GMR	Single and dual die	Ready	SSC (SPI)	SSC (SPI)	PWM/IIF/SPC/HSM	1.0°	DSO8/ TDSO-16
TLE5014C16(D)	GMR	Single and dual die	Compliant	-	SPC	-	1.0°	TDSO-16
TLE5014P16(D)	GMR	Single and dual die	Compliant	-	PWM	-	1.0°	TDSO-16
TLE5014S16(D)	GMR	Single and dual die	Compliant	-	SENT	-	1.0°	TDSO-16
TLE5014SP16(D)*	GMR	Single and dual die	Compliant	-	SPI	-	1.0°	TDSO-16
TLE5109A16(D)*	AMR	Single and dual die	Ready	Analog sin/cos	-	-	0.5°	TDSO-16
TLE5309D*	AMR + GMR	Dual die	Ready	Analog sin/cos	SSC (SPI)	-	AMR 0.5°, GMR 1.0°	TDSO-16
TLE5501*	TMR	Single die	Compliant	Analog sin/cos	-	-	1.0°	DSO8

SPI = Serial peripheral interface

IIF = Incremental interface

PWM = Pulse width modulation

SENT = Single Edge Nibble Transmission

HSM = Hall Switch Mode

www.infineon.com/angle-sensors

*For more information on the product, contact our product support



For more details on the product, click on the part number, visit infineon.com or contact our [product support](#).



iTMR based angle sensors

Tunneling Magneto Resistive (iTMR) technology is offering high sensing sensitivity with a high output voltage, reducing the need for an internal amplifier. Thus, the sensor can be connected directly to the microcontroller without any further amplification. In addition, iTMR technology shows a very low temperature drift, reducing external calibration and compensation efforts. The iTMR technology is also well known for its low current consumption.

TLE5501

With the TLE5501 products, Infineon is currently launching the first angle sensor products based on iTMR technology. TLE5501 is available in two versions.

TLE5501 - product versions with different pinout:

- > **TLE5501 E0001:** pin-compatible to TLE5009
automotive qualified acc. AEC-Q100
- > **TLE5001 E0002:** decoupled bridges for redundant external angle calculation and highest diagnostic coverage, realizing ISO 26262-compliant development ASIL D



Features

- > Large output signals of up to 0.37 V/V for direct microcontroller connection
- > Discrete bridge with differential sine and cosine output
- > Very low supply current: ~2 mA
- > Magnetic field range (20-100 mT)
- > Typ. angle error ~ 1.0 ° (over temperature and lifetime)
- > DSO8 package
- > AEC-Q100, grade 0: TA = -40°C to 150°C (ambient temperature)
- > For **TLE5501 E0002:**
 - Reaching ASIL D with just one single sensor chip
 - ISO 26262-compliant development ASIL D

Applications

- > Steering angle sensor
- > BLDC motor commutation (e.g. wipers, pumps and actuators)
- > Angular position sensing for e.g. robotics or gimbal
- > Electric motors
- > Industrial automation
- > Safety applications



iGMR based angle sensors



TLE5014(D)

Digital iGMR sensor with an easy-to-use plug-and-play concept for the highest functional safety applications

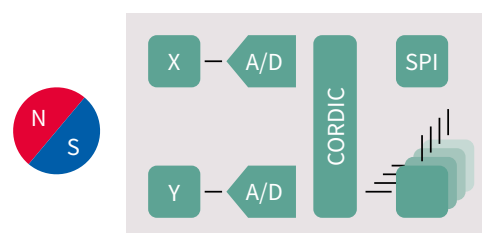
All XENSIV™ TLE5014 angle sensors are available as single and dual die products. The products come pre-configured and pre-calibrated as plug-and-play sensors and are easy to use. Customers can choose between the interfaces SENT, PWM, SPC, and SPI. On top of those protocol options, the sensors can be adapted to any kind of application setup via their programmable E²PROM interfaces. TLE5014 magnetic angle sensors meet ISO 26262 ASIL C for the single die and ISO 26262 ASIL D for the dual die versions. All products are ready for applications with the highest functional safety requirements. The sensors show an extremely small angle error of less than 1° across the entire temperature profile and lifetime. This is particularly helpful in applications with the need for very accurate position sensing such as steering angle sensing or motor commutation. Further application areas range from rotor position measurement, electric power steering (EPS), pedal position to any other kind of position measurement.

Features

- › Easy-to-use, plug-and-play sensors, pre-configured and pre-calibrated
- › Offering high flexibility:
 - Available as single and dual die products
 - 12 bit digital interface with protocol options PWM, SENT, SPC and SPI
 - E2 PROM and look-up table for customer configuration and calibration
- › High angle accuracy: max. 1.0° over temperature and lifetime
- › High voltage capability up to 26 V
- › Development fully compliant with ISO 26262
 - Developed acc. ASIL D level
 - Dual die sensors reaching ASIL D, single die sensors ASIL C metrics
- › Safety manual and safety analysis summary report available on request

Applications

- › Steering angle sensing (SAS)
- › Motor commutation
- › Rotor position measurement
- › Pedal position
- › Safety applications
- › Any other kind of high-accuracy position measurement



iAMR based angle sensors

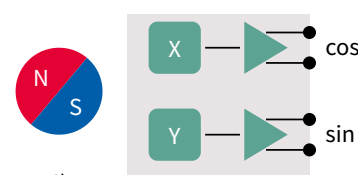


TLE5109A16(D)

Analog iAMR sensor with temperature compensation

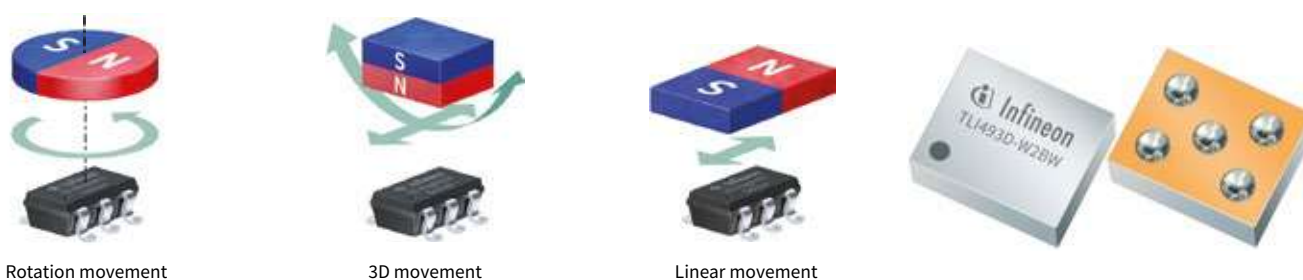
Features

- › Features a differential or single-ended analog interface for sine and cosine values
- › Internal temperature drift compensation for gain and offset
- › Also available as a dual-sensor package
- › ISO 26262-ready
- › Typical 0.1° angle error over lifetime and temperature range after compensation (max 0.5°)
- › Available as single and dual die product



3D magnetic sensors for consumer industrial markets

The **TLV493D-A1B6** sensor realizes accurate three-dimensional sensing with extremely low power consumption in a small 6-pin package. Capable of detecting the magnetic field in the x, y, and z-direction, the sensor is ideally suited for the measurement of linear, rotation, or 3-dimensional movements. Thanks to its small package and low power consumption, the 3D magnetic sensor can be used in new applications, replacing potentiometer and optical solutions. Featuring contactless position sensing and high-temperature stability of the magnetic threshold, the sensor allows systems to get smaller, more accurate, and more robust.



Rotation movement

3D movement

Linear movement

Features

- › 3D magnetic sensing
- › Integrated temperature sensing
- › Low current consumption
 - 7 nA in power-down mode
 - 10 μ A in ultralow power mode
- › 2.8 to 3.5 V operating supply voltage
- › Digital output via a 2-wire standard I²C interface
- › B_x, B_y and B_z linear field measurement up to ± 160 mT
- › JESD47 qualified
- › 12-bit data resolution for each measurement direction
- › High sensitivity up to 30.8 LSB₁₂/mT.
- › Operating temperature range from -40 to +125°C

Product	Temperature range	Qualification	Linear magnetic range	Sensitivity	I _{DD}	Update rate	Package	Ordering code
TLI493D-A2B6	-40...105°C	JESD47	± 160 mT (min) ± 100 mT (min)	7.7 or 15.4 LSB ₁₂ /mT	7 nA – 3.3 mA	10 Hz – 8.4 kHz	TSOP6	SP001689844
TLI493D-W2BW A0 TLI493D-W2BW A1 TLI493D-W2BW A2 TLI493D-W2BW A3	-40...125°C	JESD47	± 50 , ± 100 or ± 160 mT	7.7, 15.4 or 30.8 LSB ₁₂ /mT	7 nA – 3.4 mA	0,05 Hz – 8.4 kHz	WLB	SP005409964 SP005409966 SP005409968 SP005409970
TLV493D-A1B6	-40...125°C	JESD47	± 130 mT (typ)	10.2 LSB ₁₂ /mT	7 nA – 3.7 mA	10 Hz – 3.3 kHz	TSOP6	SP001286056
TLV493D-A2BW	-20°C...85°C	JESD47	± 50 , ± 100 or ± 160 mT	7.7, 15.4 or 30.8 LSB ₁₂ /mT	7 nA – 3.4 mA	6 Hz – 11,6 kHz	WLB	SP005542151

1) Half range mode

While the **TLV493D-A1B6** just supports a typical value for the linear magnetic range of ± 130 mT, the **TLI493D-A2B6** specification includes also a minimum value of ± 160 mT.

With the **TLI493D-A2B6**, broader microcontroller compatibility, as well as an enhanced feature set, is included.

New features

- › **Sensor** address read back
- › Short mode range setting, focusing on the half of the magnetic range, ensuring higher accuracy
- › Higher update frequency allows for an application field that requires faster update speed
- › Angular mode (for x and y read-out only)

Applications

- › Anti tempering protection in smart meters
- › Joysticks e.g. for medical equipment, cranes,
- › Game consoles
- › Control elements e.g. white goods multifunction knobs
- › Industrial joysticks
- › Ergonomic push and control buttons on domestic appliances and power tools
- › Position control in robotics

www.infineon.com/3d-magnetics

For more details on the product, click on the part number, visit infineon.com or contact our [product support](#).



3D magnetic sensors for automotive low-power applications

Infineon's XENSIV™ TLE493D-x2B6 enables all kind of automotive control element applications within the passenger compartment or under the hood with a temperature range of -40 to +125°C, with linear magnetic range requirements up to ±160 mT.



Features

- › 3D magnetic sensing
- › Integrated temperature sensing
- › 2.8 to 3.5 V operating supply voltage
- › Low current consumption
 - 0.007 µA in power-down mode
 - 10 µA in ultralow power mode
 - Up to 10 power modes
- › Digital output via a 2-wire standard I2C interface
- › B_x, B_y and B_z linear field measurement ±160 mT
- › AEC-Q100 qualified
- › 12-bit data resolution for each measurement direction
- › Various resolution options from 67 µT/LSB to 134 µT
- › Operating temperature range from -40 to +125°C

Product	Temperature range	Qualification	Linear magnetic range	Sensitivity	I _{DD}	Update rate	Wake-up	Package	Ordering code
TLE493D-A2B6	-40 ... 125°C	AEC-Q100	±160 mT (min)	7.7 or 15.4 LSB ₁₂ /mT	7 nA – 3.3 mA	10 Hz – 8.4 kHz	No	TSOP6	SP001689848
TLE493D-P2B6 A0 TLE493D-P2B6 A1 TLE493D-P2B6 A2 TLE493D-P2B6 A3	-40 ... 125°C	AEC-Q100	±160 mT (min) ±100 mT (min)	7.7 or 15.4 LSB ₁₂ /mT	7 nA – 3.3 mA	0.05 Hz – 8.4 kHz	Yes	TSOP6	SP005557415 SP005557413 SP005557411 SP005557408
TLE493D-W2B6 A0 TLE493D-W2B6 A1 TLE493D-W2B6 A2 TLE493D-W2B6 A3	-40 ... 125°C	AEC-Q100	±160 mT (min) ±100 mT (min)	7.7 or 15.4 LSB ₁₂ /mT	7 nA – 3.3 mA	0.05 Hz – 8.4 kHz	Yes	TSOP6	SP001655334 SP001655340 SP001655344 SP001655348

1) Half-range mode

The XENSIV™ sensor [TLE493D-A2B6](#) features include a sensor address read-back feature for additional communication verification, a half range mode focusing to half of the magnetic range, ensuring higher accuracy, and an angular mode (for x and y readout only).

With the TLE493D-W2B6/ P2B6 A0-A3, a 3D sensor family with an enhanced dynamic wake-up feature was developed. Four pre-programmed address options (A0-A3) are available, enabling for a fast start-up initialization when used in I2C bus configurations. Our sensors include enhanced test options, and safety documentation is available to enable the usage of this sensor in the context of ASIL B systems.

Compared to the previous products of this family the new [TLE493D-P2B6 A0-A3](#) family offers enhance precision in x-, y-, z- sensing direction, while otherwise featuring the same dynamic wake-up features, programmability, and test options like [TLE493D-W2B6 A0-A3](#). We provide safety documentation on request for usage of the sensor in the context of ASIL B systems.

Applications

- › Control elements for infotainment/navigation systems, air conditioners, multifunctional steering wheels, seat controls
- › Top column modules e.g. direction indicator, wiper control
- › Gear stick position sensing

www.infineon.com/3dmagnetics



Magnetic speed sensors

Easy to use, robust and cost-effective sensors for speed measurement

Infiniteon's Hall and GMR-based magnetic speed sensors are designed to measure speed in safety and powertrain applications such as speedometers, ABS, camshafts, crankshafts, and automatic transmissions. They are also used in similar applications in the industrial sector. The sensors use a ferromagnetic gear tooth or encoder structure to measure linear or rotational speed and position. Hall sensor measuring rotational speed with a gear tooth and a magnetic encoder wheel. The majority of sensors also feature additional benefits such as integrated capacitors for high EMC robustness and the highest levels of ESD protection.

TLE4922

Highly robust, easy-to-use mono-Hall speed sensor with twist-independent mounting

This sensor is specially designed to provide an easy-to-use, robust and cost-effective solution for vehicle or industrial speed sensing applications. The TLE4922 can, therefore, be back-biased using a simple, low-cost bulk magnet, while providing a good air gap performance and switching accuracy. Its hidden adaptive hysteresis and calibration algorithm enable good accuracy over air gap jumps and immunity to vibration and run-out events.

Features

- › Large operating air gap capability
- › Flexible mounting (also known as Twist-independent mounting)
- › Hidden adaptive hysteresis
- › Low current consumption
- › Reverse magnetic polarity capability
- › Advanced protection technology
 - Reverse voltage protection at VS-pin
 - Short-circuit protection
 - Overtemperature protection
- › Wide operating temperature ranges of $-40^{\circ}\text{C} \leq T_j \leq \pm 150^{\circ}\text{C}$
- › High ESD robustness up to ± 4 kV HBM
- › 3-wire PWM voltage interface

Applications

- › Industrial applications
- › Two-wheeler and automotive vehicle speed



TLE4929

Fully programmable crankshaft sensor

The TLE4929 is an active Hall sensor ideally suited for crankshaft applications and similar industrial applications, such as a speedometer or any speed sensor with high accuracy and low jitter capabilities.

Features

- › Differential Hall speed sensor to measure speed and position of tooth/pole wheels
- › Switching point in the middle of the tooth enables backward compatibility
- › Robustness over magnetic stray-field due to the differential sensing principle
- › Precise miss fire detection through excellent jitter performance
- › Dedicated hybrid engine algorithm keeps combustion engine calibrated during an electric drive cycle
- › Digital output signal with programmable output-protocol including diagnosis interface
- › Direction detection and stop-start-algorithm
- › High accuracy and low jitter
- › High sensitivity enables large air gap
- › End-of-line programmable to adapt engine parameters
- › Can be used as a differential camshaft sensor
- › Automotive operating temperature range



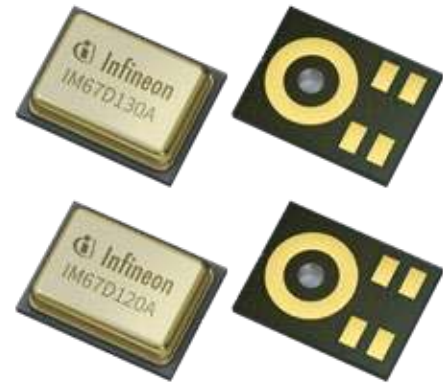
Product	Sensor technology	AEC-Q100 qualified	Automotive	Industrial	RoHS	HAL free
TLE4922	Mono-Hall	✓	✓	✓	✓	✓
TLE4929	Differential Hall	✓	✓	✓	✓	✓



IM67D130A/IM67D120A

MEMS microphones for automotive applications

As part of our comprehensive XENSIV™ sensor family, we now also offer high-performance MEMS microphones, qualified according to the state-of-the-art automotive quality standard AEC-Q103-003. These microphones close the gap in the automotive industry, providing the best possible fit for automotive applications. These automotive XENSIV™ MEMS microphones combine our proven expertise in the automotive industry with our technical leadership in high-end MEMS microphones. They are suited to all applications inside and outside the car, where the best audio performance in harsh automotive environments is required.



Speech: Hands free / e-call / ICC

Enabling distortion free audio capturing for all speech related application thanks to their high SNR and low distortions

Interior



Speech: Microphone arrays – beamforming voice command

Making it possible to operate infotainment systems with voice commands due to their narrow sensitivity matching for enhanced performance of beam-forming arrays

Interior



Active and road noise cancellation

Enabling a quiet environment for comfortable travels, the microphones are a good fit for ANC applications thanks to their flat frequency and stable phase response

Interior



In addition, they will enhance autonomous driving features ...
and even allow interaction from outside of the vehicle



- **Event sound detection / sirens detection / contact detection**
- **Road condition detection**

Contributing to road safety, by detecting sounds like sirens from emergency vehicles or even dangerous road conditions thanks their large dynamic range and acoustic overload point

exterior



Voice recognition / external interaction

Allowing external interaction e.g. for controlling certain functions via voice commands due to their good suitability for voice recognition use cases

exterior

Customer benefit

- > Automotive qualification according to AEC-Q103, together with long term availability reduces design-in risk and effort
- > Increased operating temperature range allows flexible usage in automotive environment up to +105°C
- > Best in class audio performance (SNR, AOP, THD) for optimum speech quality and capture of distortion-free audio signals in loud environments such as inside a car
- > Narrow sensitivity matching for enhanced performance of beam-forming (noise suppression) arrays
- > Flat frequency and stable phase response for optimal fit in acoustic noise cancellation use cases

Parametrics	IM67D130A / IM67D120A
Acoustic overload point	130 dB SPL (IM67D130A) / 120.0 dB SPL (IM67D120A)
Current consumption	980 µA
Interfaces	PDM
Sensitivity	-36 dBFS
Signal to noise	> 67 dB(A)
Supply voltage	1.62–3.6 V
Ordering code	SP005582032 (IM67D130A)/SP005550431 (IM67D120A)



XENSIV™ sensors for consumer and IoT applications

Intuitive sensing: giving things human-like senses for a better contextual awareness

Imagine a world where technology is unobtrusive and seamlessly integrated into our lives. Where intentional and deliberate communication between people and devices is no longer necessary. In this world, there is no need to push buttons or issue commands in order to activate devices because technology is capable of interpreting implicit intentions and context. This enhances the user experience and makes it more natural – it would seem as if the devices around us intuitively understand what we want them to do. At Infineon, this future is already becoming reality. We develop sensor solutions that enable simple and effortless user interactions with all kinds of smart devices. Bridging the gap between the real and digital worlds, our technology

is developed to make life easier, safer, greener and more efficient. Our intuitive sensing solutions are at the very core of this mission. Reflecting our belief that the essential value of sensor technology lies in making our lives more convenient through seamless, natural interactions between people and sensing devices, our aim is to leave you free to focus on what really matters in life.

Choose your type of sense

Thanks to industry-leading technologies Infineon, XENSIV™ sensors are exceptionally precise. They are the perfect fit for various customer applications in automotive, industrial and consumer markets.

Pressure sensors

Our digital barometric pressure sensors give designers the best choice when it comes to small form factors, highest precision and accuracy over a wide temperature range, fast read-out speeds and low power consumption.

Radar sensors

Radar supports existing applications while providing features that enable completely new use cases. It measures velocity, range and angle, both horizontal and vertical, for precise position mapping and 3D tracking.

MEMS microphones

MEMS microphones overcome existing audio chain limitations and are designed for applications where low self-noise (high SNR), wide dynamic range, low distortions and a high acoustic overload point are required.

PAS CO2 sensor

Leveraging photoacoustic spectroscopy (PAS), Infineon has developed an exceptionally small CO₂ sensor that overcomes existing size, cost and performance challenges.

Today, sensors already enable interactions between people and devices

This interaction often depends on the interpretation and merging of information from different sources. Machines cannot yet read our minds and do not always have the information necessary to correctly evaluate a given situation. So, we sometimes have to explicitly tell devices what we want them to do. This can be inconvenient and time-consuming. Inspired by human nature, Infineon intuitive sensing solutions are designed to take the complexity out of our interaction with devices.

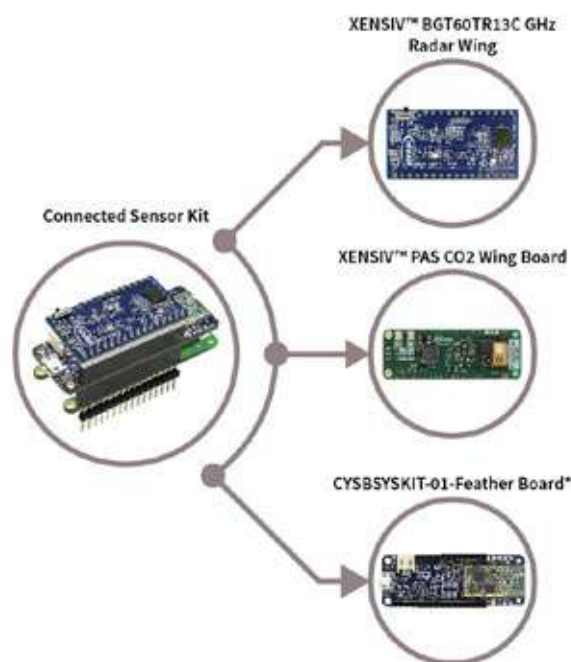
Reflecting a holistic approach, we combine different sensors with state-of-the-art software to create a comprehensive picture of the world around us. By fusing several smart sensors into one coherent intelligent system, our intuitive sensing solutions simplify complex technical processes and enable people to effortlessly interact with devices. These smart devices intuitively sense the world around them, determining what is expected and needed from them.



XENSIV™ connected sensor kit

Rapid IoT prototyping experience enabled by XENSIV™ sensors

The XENSIV™ connected sensor kit enables rapid development of a custom solution built on Infineon products. The CSK supports customers in testing sensor-driven IoT products and use cases as well as in prototyping. It offers a real-time sensor evaluation with custom configurations and cloud-based sensor data visualization with sensor fusion. The development kit supports use cases based on XENSIV™ 60GHz radar and PAS CO2 with DPS368 pressure sensor (Sense), PSoC™ 6 microcontroller embedded processing (Compute), connectivity via Infineon AIROC™ CYW43012 Wi-Fi and Bluetooth® Combo (Connect) and hardware security with OPTIGA™ Trust M (Secure). Code examples and sensor libraries are available in the Infineon software ecosystem ModusToolbox™ to help customers create use case-specific application codes for new product offerings.

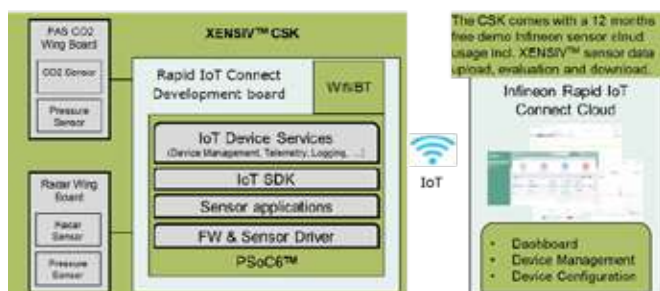


**Refer to CYSBSYSKIT-02 User Code

Features and benefits

Key features
> Small form-factor (22.5 mm x 63 mm x 30 mm) Adafruit feather compatible design
> Wi-Fi and Bluetooth 5.0-compliant combo radio module
> Power optimized design, deployable with battery
> Interchangeable sensor wings – 60GHz Radar, PAS CO2
> Seamless integration into ModusToolbox™
> FCC and CE certified

Key benefits
> Ideal for prototyping battery-powered IoT devices due to optimized power consumption. Suited for customer field trials.
> Rapid development and deployment via code examples in ModusToolbox™ for presence detection, entrance counter, air quality measurements. Enabler for Multi-sensor data fusion.
> Secure cloud device onboarding and management with OPTIGA™ Trust M. Secure kit provisioning (unique user ID).



The Infineon Rapid IoT Connect SOM platform deployed on the XENSIV™ CSK provides hardware, firmware, and cloud artifacts to enable rapid onboarding to the Internet of Things. Bidirectional XENSIV™ sensor to cloud data communication is securely enabled. The XENSIV™ CSK is a pre-implemented Infineon Prototyping Sensor System that makes it possible to provision, monitor and manage Infineon hardware remotely. Sensor2cloud kit set up takes 10 minutes with 12 months free user access to a dedicated cloud demo platform for sensor data collection and interpretation as well as sensor data download.

www.infineon.com/connectedsensorkit

For more details on the product, click on the part number, visit infineon.com or contact our [product support](#).



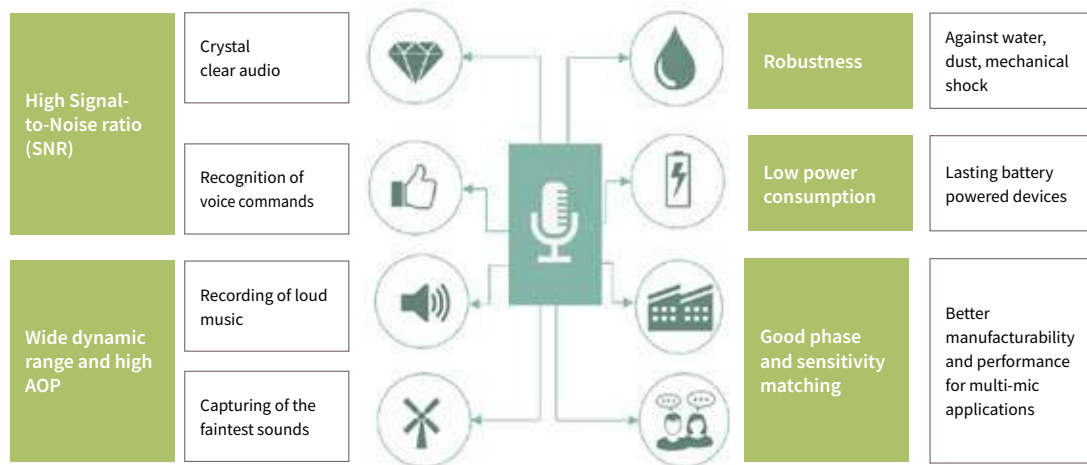
XENSIV™ MEMS microphones for consumer

High performance analog and digital MEMS microphones for consumer electronics

Infineon's XENSIV™ MEMS microphones are designed for capturing audio signals with unprecedented precision and quality. The microphones are comprised of Infineon's MEMS microphone chips and ASICs which are not without reason the world's best-selling microphone components.

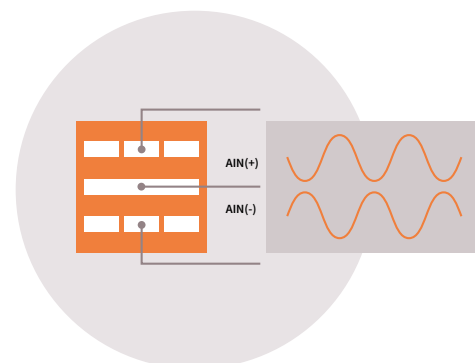


XENSIV™ MEMS microphones feature ultra-low self-noise (high SNR), extremely low distortions (THD) even at high sound pressure levels (SPL), very tight part-to-part phase, and sensitivity matching, a flat frequency response with a low LFRO (low frequency roll-off) and an ultra-low group delay. Combined with selectable power modes and their very small package size, Infineon XENSIV™ MEMS microphones are a perfect match for consumer electronics with excellent audio capturing functionalities and also for selected industrial applications such as predictive maintenance and security.



Infineon's Sealed Dual Membrane (SDM) MEMS technology

Infineon's latest Sealed Dual Membrane MEMS technology delivers high ingress protection (IP57) at a microphone level. The sealed MEMS design prevents water or dust from entering between membrane and backplate, preventing mechanical blockage or electric leakage issues commonly observed in MEMS microphones. Microphones built with the sealed dual membrane technology can be used to create IP68 devices, requiring only minimal mesh protection.



www.infineon.com/mems

For more details on the product, click on the part number, visit infineon.com or contact our [product support](#).



Product portfolio

	IM69D130	IM69D120	IM69D127 NEW	IM73A135 NEW	IM72D128 NEW	IM70A135 NEW
Environmental robustness			IP57	IP57	IP57	IP57
Sensitivity @ 1 kHz, 94 dBSPL(dBFS)	-36 ±1 dBFS	-26 ±1 dBFS	-34 ±1 dBFS	-38 ±1 dBV	-36 ±1 dBFS	-38 ±1 dBV
Signal-to-noise Ratio (SNR)	69 dB(A) @ 3.072 MHz 64 dB(A) @ 768 kHz	69 dB(A) @ 3.072 MHz 64 dB(A) @ 768 kHz	69 dB (A) @ 3.072 MHz 65 dB(A) @ 768 kHz	73 dB(A) @ 2.75 V 71 dB(A) @ 1.60 V	72 dB(A) @ 3.072 MHz 67 dB(A) @ 768 kHz	70 dB(A) @ 2.75 V 69 dB(A) @ 1.60 V
Acoustic overload point (1/10% THD)	128/130 dBSPL	118/120 dBSPL	123/127 dBSPL	132/135 dBSPL	126/128 dBSPL	130/135 dBSPL
Current consumption	980 µA @ 3.072 MHz 300 µA @ 768 kHz	980 µA @ 3.072 MHz 300 µA @ 768 kHz	980 µA @ 3.072 MHz 300 µA @ 768 kHz	170 µA @ 2.75 V 70 µA @ 1.60 V	980 µA @ 3.072 MHz 280 µA @ 768 kHz	170 µA @ 2.75 V 70 µA @ 1.60 V
Low frequency roll off (LFRO)	28 Hz	28 Hz	40 Hz	20 Hz	20 Hz	37 Hz
Group delay @ 1 kHz	6 µs	6 µs	9 µs	2 µs	7 µs	2 µs
Supply voltage	1.62 to 3.60 V	1.62 to 3.60 V	1.62 to 3.60 V	1.52 to 3.00 V	1.62 to 3.60 V	1.52 to 3.00 V
Interface	Digital PDM	Digital PDM	Digital PDM	Analog differential	Digital PDM	Analog differential
Port location	Bottom port	Bottom port	Bottom port	Bottom port	Bottom port	Bottom port
Package dimensions	4.00 x 3.00 x 1.20 mm ³	4.00 x 3.00 x 1.20 mm ³	3.60 x 2.50 x 1.00 mm ³	4.00 x 3.00 x 1.20 mm ³	4.00 x 3.00 x 1.20 mm ³	3.50 x 2.65 x 1.00 mm ³
Typical applications	TWS earbuds		✓			✓
	ANC headphones	✓		✓	✓	✓
	Smart speakers	✓	✓		✓	✓
	Conference systems	✓			✓	
	Laptops / tablets		✓	✓		✓
	Wearables			✓		

Features, applications and use cases

Features

- › Ultra-low self-noise/ultra-high SNR
- › Selectable power modes
- › Sealed Dual Membrane (SDM) technology with ingress protection at microphone level
- › Extremely low distortions (THD) even at high sound pressure levels
- › High dynamic range and very high acoustic overload points (AOP)
- › Very tight part-to-part phase and sensitivity matching
- › Flat frequency response with a low LFRO (low frequency roll-off)
- › Ultra-low group delay
- › Very small package sizes

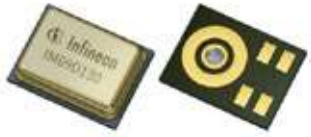
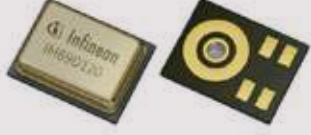
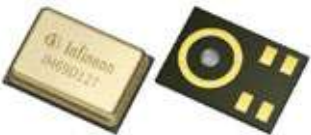
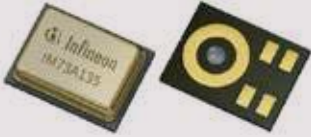

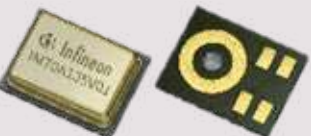
Typical use cases

- › Studio quality audio capturing for communication devices
- › Low latency wide band audio signal capturing for Active Noise Cancellation (ANC) and transparent hearing functionality
- › Battery and size constraint devices
- › Multi-microphone (array) based beamforming and source separation for audio zoom features and multi user audio capturing
- › High range, far field voice pickup for multi room applications
- › Capturing of audio signals in loud environments
- › Audio pattern detection for predictive maintenance and security

Typical application

- › TWS earbuds
- › ANC headphones
- › Smart speakers
- › Conference speakers
- › Laptops/tablets
- › Wearables
- › AR/VR devices



Product	Description
<p>IM69D130</p> 	<p>IM69D130 is a high-performance digital MEMS microphone making use of Infineon's Dual Backplate MEMS technology to deliver 105 dB dynamic range and high output linearity up to 130 dB SPL. The application benefits are crystal clear audio signals, extended pick-up distance and sensitivity to both soft and loud signals - from whispered speech to rock concerts.</p>
<p>IM69D120</p> 	<p>IM69D120 is a high-performance digital MEMS microphone making use of Infineon's Dual Backplate MEMS technology to deliver 95 dB dynamic range and high output linearity up to 120 dB SPL. If IM69D130 is used in a 16 bit audio signal chain, the full SNR performance would not be realized as the noise floor will be limited by the system dynamic range. IM69D120 has been specifically designed to preserve 69 dB(A) SNR in a 16 bit system. This is achieved by increasing the microphone sensitivity to -26 dBFS, and reducing the acoustic overload point to 120 dB SPL.</p>
<p>IM69D127</p> 	<p>IM69D127 is a digital high-performance MEMS microphone based on Infineon's new Sealed Dual Membrane MEMS technology which delivers high ingress protection (IP57) at a microphone level. Its small size of only 3.60 x 2.50 x 1.00 mm³ makes it a perfect match for compact audio devices, such as TWS earbuds.</p>
<p>IM73A135</p> 	<p>Infineon's XENSIV™ MEMS analog microphone IM73A135 sets a new performance benchmark in MEMS microphones. A best-in-class signal to noise ratio (SNR) of 73 dB and a high acoustic overload point of 135 dB SPL enable clear audio pick up of the quietest and the loudest sounds. This microphone is based on Infineon's new Sealed Dual Membrane MEMS technology which delivers high ingress protection (IP57) at a microphone level. The IM73A135 allows designers to reach a level of high audio performance that was previously only achievable by ECMs while at the same time reaping the benefits inherent in MEMS technology.</p>
<p>IM72D128</p> 	<p>The IM72D128V01 is an ultra-high-performance digital microphone designed for applications which require a very high SNR (low self-noise) and low distortions (high AOP). This microphone is based on Infineon's new Sealed Dual Membrane MEMS technology which delivers high ingress protection (IP57) at a microphone level. The flat frequency response (20Hz low-frequency roll-off) and tight manufacturing tolerance improve performance of multi-microphone (array) applications. The digital microphone ASIC contains an extremely low-noise preamplifier and a high-performance sigma-delta ADC. Different power modes can be selected in order to suit specific clock frequency and current consumption requirements. Each IM72D128V01 microphone is calibrated with an advanced Infineon calibration algorithm, resulting in very low sensitivity tolerances (± 1dB).</p>
<p>IM70A135</p> 	<p>Infineon's XENSIV™ MEMS analog microphone IM70A135 is a compact high performance microphone with a very high acoustic overload point of 135 dB SPL and a size of only 3.50 x 2.65 x 1.00 mm³. This microphone is based on Infineon's new Sealed Dual Membrane MEMS technology which delivers high ingress protection (IP57) at a microphone level. The small size makes this microphone especially suited for TWS earbud applications.</p>



EVAL AHNB IM69D130V01

Enables the evaluation of Infineon digital XENSIV™ MEMS microphones

The Infineon Audiohub Nano enables the evaluation of Infineon digital PDM XENSIV™ MEMS microphones. The kit includes an Infineon Audiohub Nano and four IM69D130 digital microphones on flex board. Up to two Infineon digital XENSIV™ MEMS microphones can be connected to the evaluation board in mono or stereo output. The evaluation board provides a USB audio interface to stream audio data from the microphone with any audio recording and editing software.

Summary of Features

- > Audio streaming over USB interface
- > 48 kHz sampling rate
- > 24-bit audio data (stereo)
- > Mode switch for toggling between normal mode and low power mode with 4 pre-defined gain configurations
- > LEDs indication for the configured gain level in normal mode and low power mode
- > Volume unit meter display with on board LEDs
- > Powered through Micro-USB



Product	SP No.	OPN No.
EVAL AHNB IM69D130V01	SP005285852	EVALAHNBIM69D130V01TOBO1



XENSIV™ MEMS microphone partners

Building upon the superior XENSIV™ MEMS microphone performance, Infineon's extensive network of global partners offers customers a comprehensive portfolio of XENSIV™ MEMS microphone-based reference designs, as well as Infineon inside MEMS microphones that will propel audio performance to the next level even for the most demanding applications. Click on the buttons below to learn more about our partner solutions.



XENSIV™ digital barometric pressure sensor

for mobile and wearable devices

Infinion's digital barometric pressure sensor family is the best choice for mobile and wearable devices due to its small form factor, high precision, and low power consumption. Pressure sensing is based on capacitive technology, which guarantees ultra-high precision (± 2 cm) and excellent relative accuracy (± 0.06 hPa) over a wide temperature range. The sensor's internal signal processor converts the output from the pressure and temperature sensor elements to 24-bit results. Each pressure sensor has been calibrated individually and contains calibration coefficients. The coefficients are used in the application to convert the measurement results to true pressure and temperature values. All sensors have a FIFO that can store the last 32 measurements. Since the host processor can remain in a sleep mode for a longer period between readouts, a FIFO can reduce the system power consumption. [Sensor](#) measurements and calibration coefficients are available via the serial I2C/SPI interface.

DPS310

A barometric pressure sensor with very low power consumption is recommended for applications where power consumption is critical and the highest precision in pressure metering is required.

DPS368

[DPS368](#) offers the best-in-class resolution (± 2 cm), a very fast read-out speed, and low current consumption. The sensor can be used in harsh environments, as it is robust against water (IPx8 - 50 m underwater for 1 hour), dust and humidity. The small package size saves up to 80 percent of the space and makes the [DPS368](#) ideal for mobile applications and wearable devices.

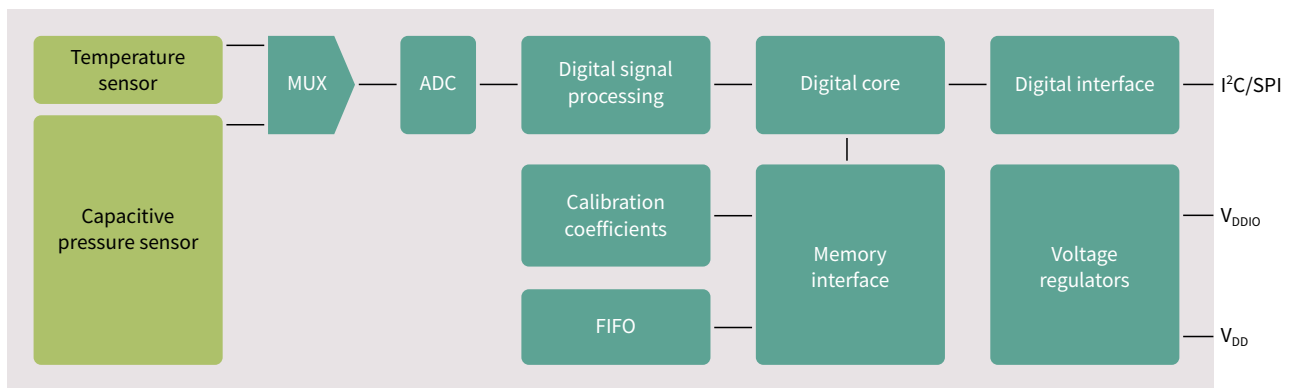
Typical applications

- > Drones: altitude detection and height stability
- > Health and fitness: accurate elevation gain and step counting (e.g. for smartwatches)
- > Outdoor Navigation: GPS start-up time/accuracy improvement; dead reckoning (e.g. in tunnels)
- > Indoor navigation: floor detection e.g. in shopping malls and parking garages
- > Smart home: micro weather forecasting; room temperature control; intruder detection
- > Airflow control: Smart filter replacement alarm (e.g. in home appliances); predictive maintenance
- > Health care: fall detection; respiratory devices; smart inhalers

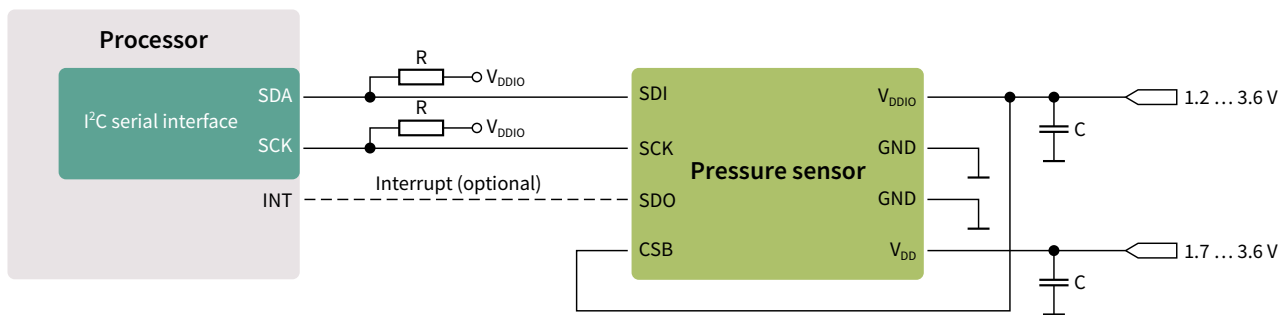
Key product features	DPS310	DPS368
Package size	2.0 x 2.5 x 1.0 mm	2.0 x 2.5 x 1.1 mm
Operating pressure range	300 ... 1200 hPa	
Operating temperature range	-40 ... 85°C	
Pressure level precision	± 0.002 hPa (or ± 0.02 m)	
Relative accuracy	± 0.06 hPa (or ± 0.5 m)	
Absolute accuracy	± 1 hPa (or ± 8 m)	
Temperature accuracy	0.5°C	
Pressure temperature sensitivity	0.5 Pa/K	
Measurement time	3.6 ms (low precision); 27.6 ms (standard mode)	
Average current consumption @ 1 Hz sampling rate	1.7 μ A pressure measurement, 1.5 μ A temp. measurement, standby 0.5 μ A	
Supply voltage	V_{DDIO} : 1.2 – 3.6 V; V_{DD} : 1.7 – 3.6 V	
Operating modes	Command (manual), background (automatic), standby	
Interface	I2C and SPI, both with optional interrupt	



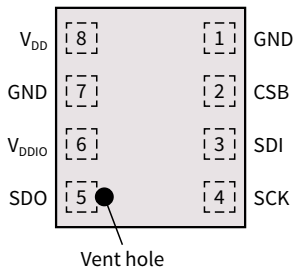
Functional block diagram



Application circuit example (in I²C configuration)



Pin configuration (top view)



Pin	Name	Function
1	GND	Ground
2	CSB	Chip select
3	SDI	Serial data in/out
4	SCK	Serial clock
5	SDO	Serial data out
6	V _{DDIO}	Digital interface supply
7	GND	Ground
8	V _{DD}	Analog supply

Infineon inside pressure sensor partners

Building upon its best-in-class technology, Infineon offers a full range of barometric pressure sensors as chipsets. Infineon's network of global partners offers customers a comprehensive portfolio of Infineon inside pressure sensors that will propel performance to the next level even for the most demanding applications.

Visit www.infineon.com/pressure-sensor-partners to learn more and purchase our partner solutions.





XENSIV™ PAS CO2

High performance in a small size – Introducing a disruptive CO₂ sensor based on photoacoustic spectroscopy (PAS)

Infineon's XENSIV™ PAS CO2 breaks the boundaries of CO₂ sensing with its exceptionally small form factor and highest accuracy in its class.



Measure what matters with our XENSIV™ PAS CO2 sensor

CO₂ measurement contributes to improvements in health, comfort and productivity as well as energy efficiency. Even at moderate levels, CO₂ can have a negative impact on health and productivity, causing drowsiness and headaches. Fortunately, smart indoor air quality sensors can “smell” rising levels of CO₂ and either alert the user or trigger a system response. Awareness of indoor air quality is further increasing as a result of the COVID-19 pandemic, making accurate, affordable monitoring solutions like XENSIV™ PAS CO2 more important than ever. Given the correlation between CO₂ and aerosol concentration, CO₂ sensors can contribute to mitigating the transmission of not only COVID-19 but also other airborne illnesses such as the common cold and influenza. Furthermore, CO₂ sensors can facilitate demand-controlled ventilation, leading to improvements in energy efficiency and significant savings on energy bills.

Accurate, real-time CO₂ measurement thanks to superior MEMS technology

Widespread adoption of real CO₂ sensors has so far been hampered by size, performance and cost constraints. Infineon's XENSIV™ PAS CO2 sensor leverages photoacoustic spectroscopy (PAS) technology to provide an exceptionally small, real CO₂ sensor that is both highly accurate and cost-effective. Infineon's leading position in MEMS technology is the foundation for this unique and accurate CO₂ detection approach. Reliable CO₂ measurement enables smart monitoring of indoor air quality, facilitating improvements in health, productivity and overall well-being. These features make the XENSIV™ PAS CO2 sensor ideal for demand-controlled ventilation and air conditioning applications (HVAC) as well as for integration into consumer IoT devices such as air purifiers, thermostats, baby monitoring devices, wake-up alarms and smart speakers.

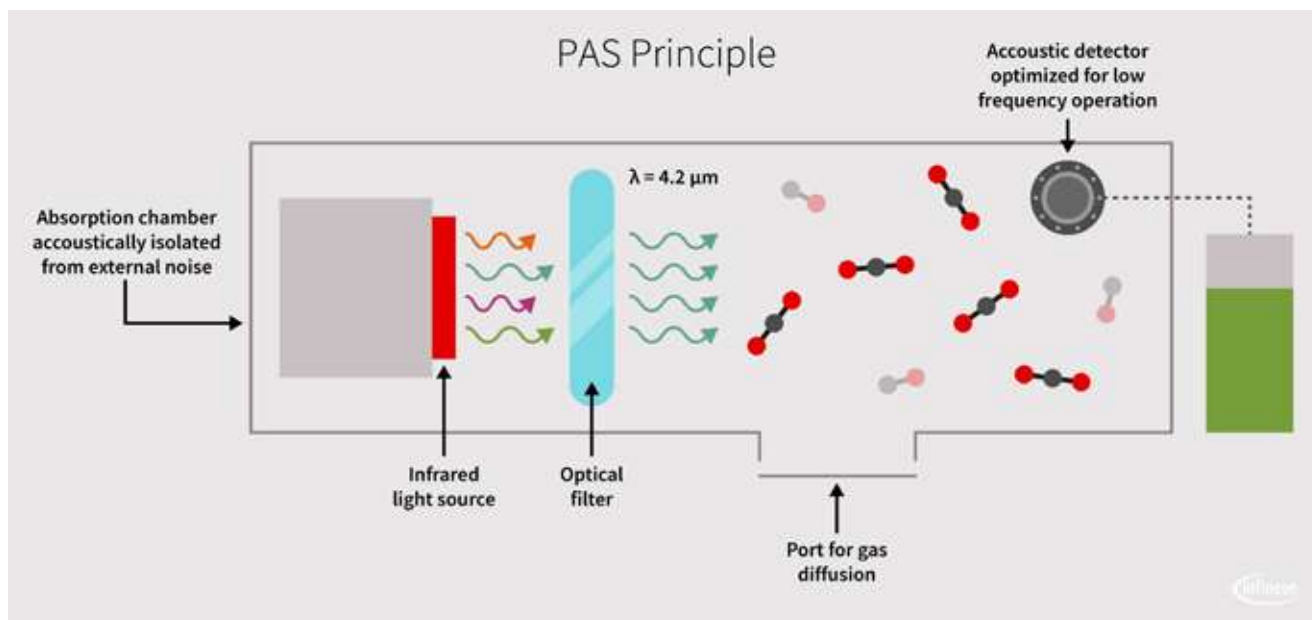
Disruptive environmental sensor technology from Infineon

XENSIV™ PAS CO2 integrates on the PCB a photoacoustic transducer, including an acoustic detector, infrared source and optical filter; a microcontroller for signal processing and a MOSFET chip to drive the infrared source. The exceptional sensitivity of the acoustic detector coupled with the integrated PCB design reduce space requirements by more than 75 percent compared to nowadays state-of-the-art NDIR CO₂ sensors.

www.infineon.com/CO2

The PAS (photoacoustic spectroscopy) principle

The sensor is characterized by a disruptive measurement principle called PAS (photoacoustic spectroscopy). It works as follows: pulses of infrared light pass through an optical filter tuned to the CO₂ absorption wavelength. The CO₂ molecules absorb the filtered light, causing them to shake and generate a pressure wave with each pulse. This is called the photoacoustic effect. The sound is then detected by an acoustic detector optimized for low frequency operation and converted to a CO₂ concentration reading by the microcontroller.



Features and benefits

Key features
> Exceptionally small form factor (14 x 13.8 x 7.5 mm ³)
> High accuracy (±30 ppm ±3% of reading)
> SMD package delivered in tape and reel
> Advanced compensation and self-calibration algorithms
> Various configuration options (e.g. sampling rate, baseline calibration) and interfaces (UART, I2C, PWM)

Key benefits
> Space savings in customers' end products
> High-quality data and compliance with smart building standards
> Cost-effective high-volume assembly and easy system integration
> Plug & play for fast design-to-market
> Customer flexibility

Applications

- > HVAC (Heating, Ventilation and Air Conditioning) systems
- > Smart home appliances such as air purifiers, air conditioners and thermostats
- > Consumer devices for air quality monitoring such as personal assistants and CO₂ traffic lights
- > Smart indoor lighting



www.infineon.com/CO2



For more details on the product, click on the part number, visit infineon.com or contact our [product support](#).

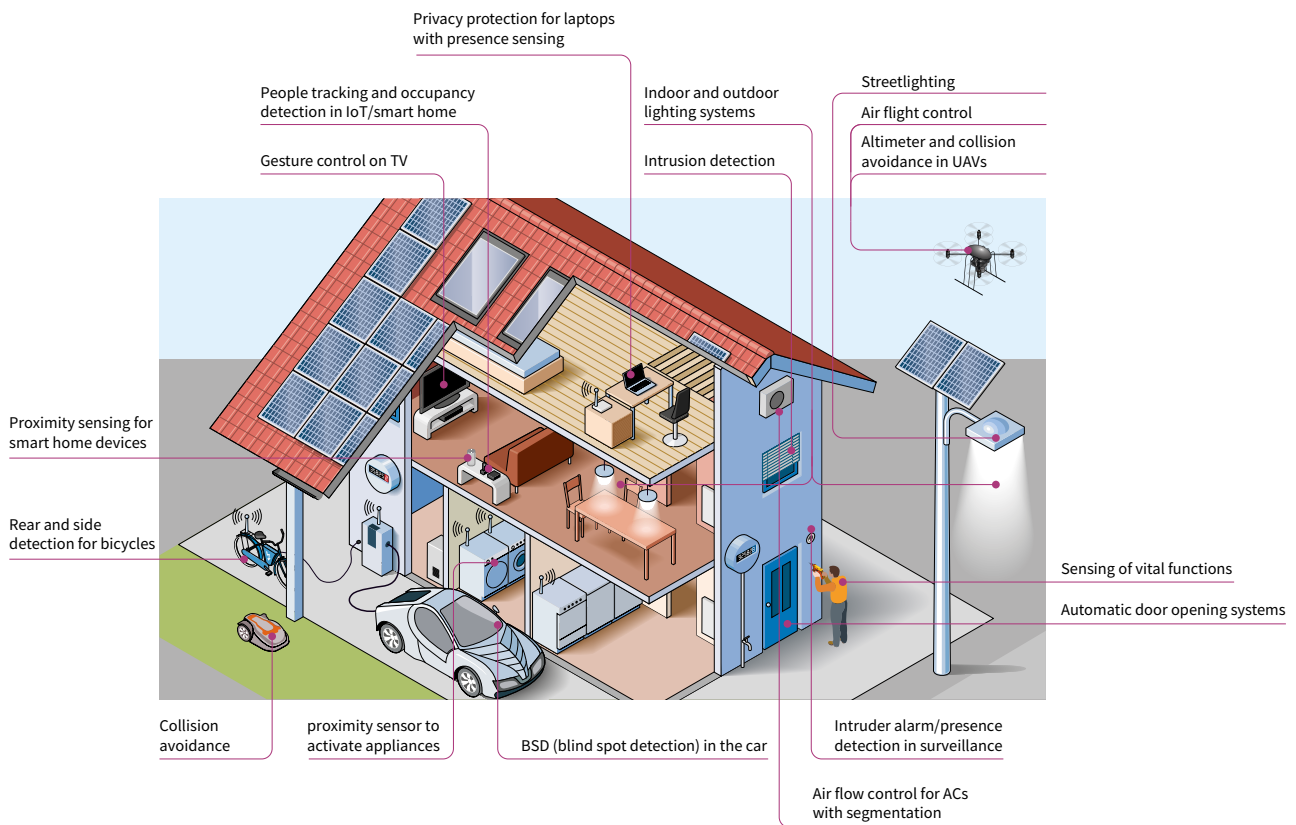
XENSIV™ radar sensors for consumer and IoT applications

As market leader in radar chips, we offer a wide portfolio of mmWave radar sensors as part of our XENSIV™ sensor family – including Doppler radar as well as FMCW radar systems. This portfolio includes the smallest 24 GHz MMIC in the market as well as the most integrated and largest 24 GHz radar transceiver family currently available. These radar chips are designed to support different industrial, smart home, and consumer applications. In addition, we also offer radar sensors in the 60 GHz range, which are used in consumer products such as the Google Pixel 4 smartphone.

Motion detection with radar offers significant advantages over PIR and other motion-sensing technologies

With our 24 and 60 GHz radar sensors, we cover a wide range of applications. Many of them are based on motion detection triggering systems like lighting solutions, automatic doors, camera and security systems, or smart home devices. In contrast to other motion detection technologies like PIR, radar technology offers significant advantages. These include smaller system sizes, greater accuracy, and more precise measurements of detected objects. In addition, radar can also determine the direction of a moving object, speed of an object, distance, and depending on the antenna configuration, even the position of a moving object.

Applications for Infineon’s radar sensors



Key benefits of radar sensing

- > Direction, proximity, and speed detection
- > Segmentation and tracking functionalities
- > Target positioning
- > Detection through non-conductive materials
 - Product design flexibility
 - Anonymous sensing
- > Maintains operation through harsh environmental conditions such as rain, snow, fog, dust, etc.
- > Sensitive enough to capture breathing and heartbeat
 - Radar can feel presence & vital functions
- > Radar performance parameters can be adjusted
 - Adaptable to different application requirements

New application or simple PIR replacement?
Radar has it covered.

Radar, used in motion detection applications, increases accuracy when compared to passive infrared (PIR) technology, allowing more precise measurement of object detection, and providing new capabilities such as the detection of speed and the direction of moving objects. Radar is also superior to camera-based systems by allowing detection of the objects while keeping identities anonymous.

Applications



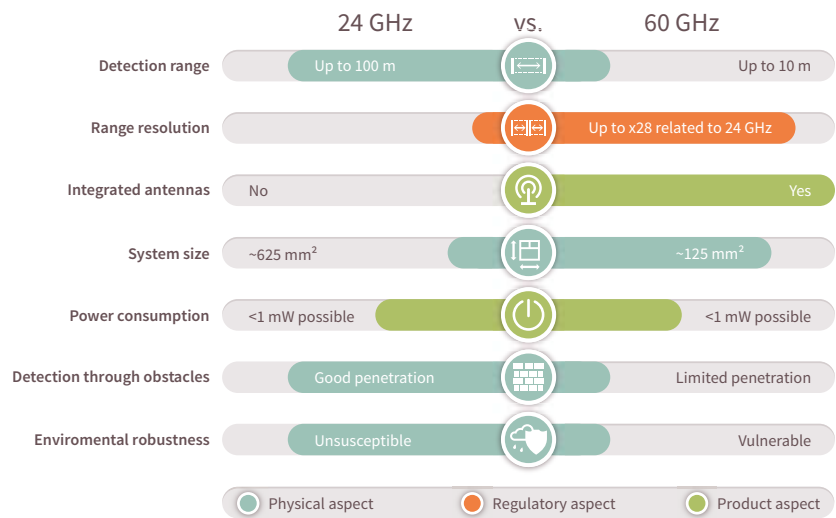
Example applications that can benefit from radar technology

<p>Smart Home</p> <p>Robust, discreet, small</p>	<p>Door opening</p> <p>Direction of travel to remove false opening</p>	<p>Security</p> <p>Privacy protection, and increased accuracy</p>	<p>Lighting</p> <p>Indoor and outdoor Resistant to harsh weather</p>	<p>Monitors and laptops</p> <p>Small, hidden, sensitive</p>
<p>Home appliances</p> <p>Activate displays based on presence around</p>	<p>Air conditioners</p> <p>Track people to move the airflow away from them</p>	<p>Smart speaker</p> <p>Eliminate keyword based activation</p>	<p>TV</p> <p>Safe energy & OLED lifetime by turning off</p>	<p>Gaming and VR</p> <p>Enhance gaming experience</p>
<p>Gesture control</p> <p>Additional gesture package available</p>	<p>Material detection</p> <p>Object recognition and classification</p>	<p>Service robots</p> <p>Robust, small footprint, accurate</p>	<p>Robotics</p> <p>Safety, accuracy and efficiency</p>	<p>Vital sensing</p> <p>Breathing & heart rate measurement</p>

When to use 24 GHz or 60 GHz radar technology

In the 24 GHz range, the bandwidth for FMCW radar operations covers 250 MHz within the regulated ISM band. In the 60 GHz regime, an unlicensed ultra-wideband of up to 7 GHz can be used for short-range applications. Consequently, 60 GHz FMCW radar systems can offer a better resolution and therefore allow additional use cases such as human tracking and segmentation. Even gesture control, material classification, or the monitoring of various vital functions (respiration, heartbeat, or even blood pressure) is possible with radar technology due to micromotion detection.

XENSIV™ radar sensors for industrial and consumer applications



Partners

Click this [link](#) to view our network of partners who provide modules and design support for all 24GHz industrial applications:



Have questions?

Visit our Community to inquire, share, and connect:



www.infineon.com/radar-for-iot

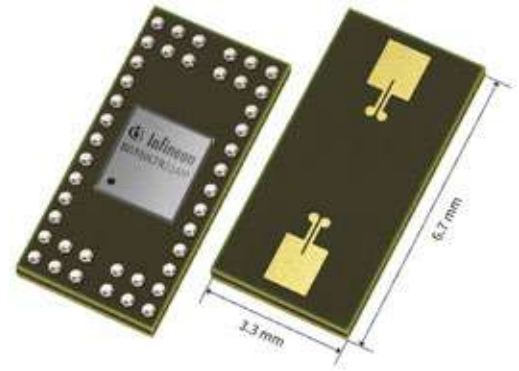
For more details on the product, click on the part number, visit infineon.com or contact our [product support](#).



XENSIV™ 60 GHz radar sensor IC

Infineon's innovative XENSIV™ 60 GHz radar chip enables things to see and revolutionizes the human-machine interface.

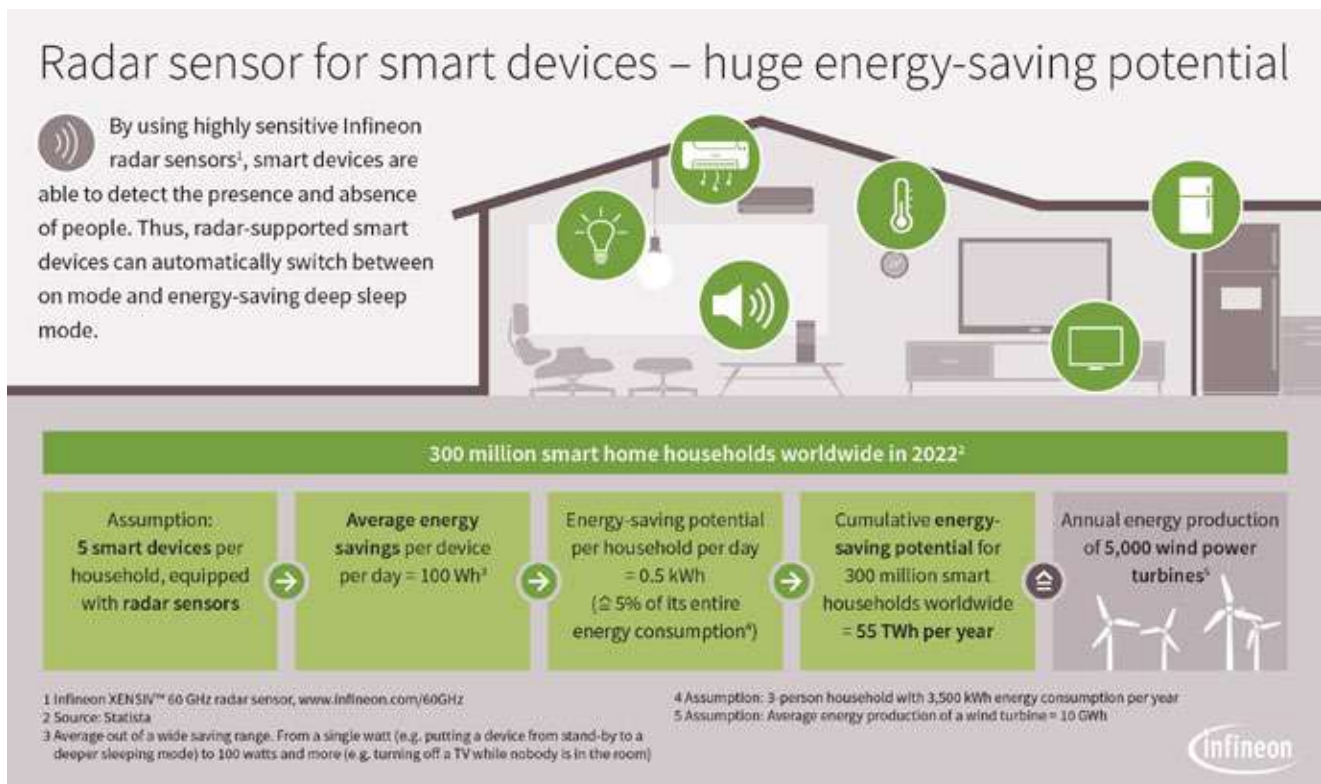
BGT60LTR11AIP for consumer and IoT applications



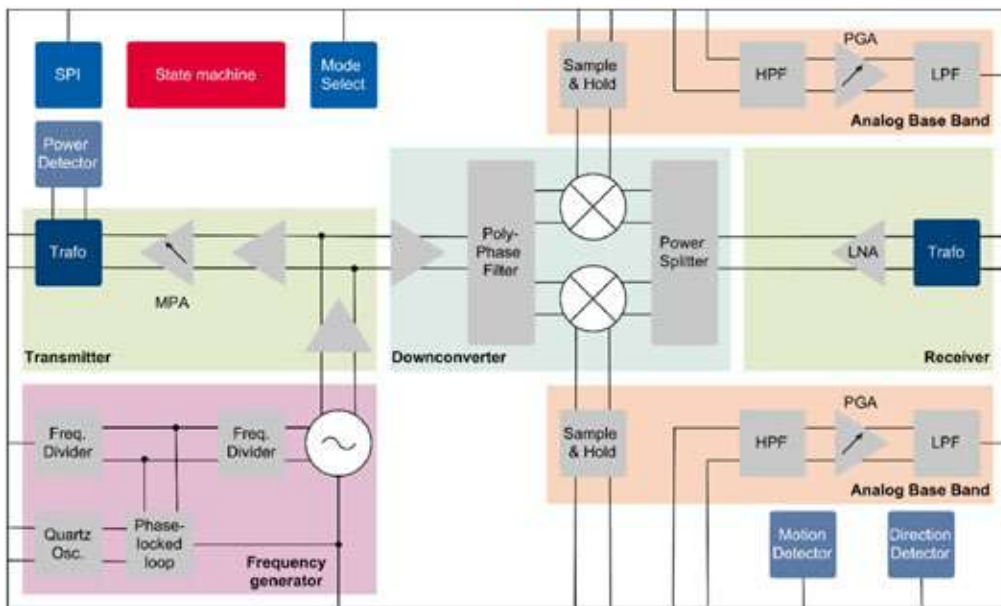
The **BGT60LTR11AIP** is a fully integrated microwave motion sensor including Antennas in Package (AIP) as well as built-in detectors for motion and direction of motion. A state machine enables operation of the device without any external microcontroller. In this autonomous mode, it detects a human target up to 7 m with a low power consumption of less than 2 mW. The **BGT60LTR11AIP** enables radar technology for everyone, since it does not require know-how in RF, antenna design, or radar signal processing. These features make the small-sized radar solution a compelling smart and cost-effective replacement for conventional PIR sensors in low power or battery-powered applications. Also, with its small form factor, Infineon's highly integrated radar sensor solutions bring innovative, intuitive sensing capabilities to many applications.

Radar has been demonstrated to be a powerful sensor for short-range motion detection. Through reliable presence and absence detection, smart devices equipped with radar sensors become more energy efficient and therefore smart and more sustainable. Users can also benefit from vacancy detection in applications such as televisions. For example **BGT60LTR11AIP** has been implemented in Samsung's Frame TV 2021, which puts the TV from art mode into sleep mode when there is no person nearby for a user-specified time. This function not only saves energy, but also displays lifetime. **BGT60LTR11AIP** has a high sensitivity and can detect if a person is present and if the device needs to be ready – similar to a screensaver that deactivates the PC monitor after a certain time without mouse or keyboard input and reactivates it as soon as new input is noticed.

Through this reliable presence and absence detection, Infineon's 60 GHz radar powers the design of truly smart, energy-saving devices. Find out more at: www.infineon.com/green-energy



Block diagram of the BGT60LTR11AIP



Key features

- › 3.3 x 6.7 x 0.56 mm package size
- › 1Tx 1Rx Antennas in Package (AIP) with 80 ° field of view
- › Built-in motion detector
- › Built-in direction of motion detector
- › Multiple modes of operation including a completely autonomous mode
- › Adjustable performance parameters: detection sensitivity, hold time and frequency of operation
- › FR4 material for PCB design is sufficient

Target application

- › Smart Building and Smart Home
- › Home appliances
- › Smart home security
- › Room air conditioners
- › Automated door openers
- › Smart entrance counter solution
- › Displays such as TVs, monitors, laptops or tablets
- › Lighting systems and lighting control

Key benefits

- › Autonomous mode:
 - Up to 7 m detection range
 - Less than 2 mW power consumption
 - Requires minimal external circuitry incl. crystal, LDO and some resistors capacitors

Adding a M0 MCU extends flexibility

- › Up to 14 m detection range (SPI mode)
- › Less than 2 mW power consumption possible



Product portfolio

Product	SP	OPN	Package	Description	Status
BGT 60LTR11AIP E6327	SP005537624	BGT60LTR11AIP E6327XUMA2	PG-UF2BGA-42-1	Chip samples	Available
DEMO BGT60LTR11AIP	SP005422969	DEMOBGT60LTR11AIP TOBO1		Demonstration Kit (Shield + 60 GHz baseboard)	Available
SHIELD_BGT60LTR11AIP	SP005422968	SHIELDBGT60LTR11AIP TOBO1		Shield fitting on 60 GHz baseboard	Available
SHIELD_AUTONOM_BGT60	SP005630363	SHIELDAUTONOMBGT60 TOBO1		Shield for autonomous operation of BGT60LTR11AIP ; directly fits on Arduino MKR board	Available
REF BGT60LTR11AIP	SP005636053	REFBGT60LTR11AIP TOBO1		Reference design	Upcoming
S2GO RADAR BGT60LTR11	SP005594890	S2GORADARBGT60LTR11 TOBO1		Shield2Go version	Upcoming

DEMO BGT60LTR11AIP

For evaluation of the completely autonomous 60 GHz radar sensor MMIC for motion sensing

This demo features Infineon's first completely autonomous radar sensor – the [BGT60LTR11AIP](#). The 60 GHz radar MMIC is a fully integrated microwave motion sensor including Antennas in Package (AIP) as well as integrated detectors for motion and direction of motion. A state machine enables operation of the device without any external microcontroller. In this autonomous mode, it detects a human target up to 7 m with a low-power consumption of less than 2 mW. These features make the small-sized radar solution a compelling, smart and cost-effective replacement for conventional PIR sensors in low-power or battery-powered applications.

For evaluation of the [BGT60LTR11AIP](#) MMIC, this demo includes the [BGT60LTR11AIP](#) shield as well as the Infineon Radar Baseboard MCU7.

The [BGT60LTR11AIP](#) shield can be attached to an Arduino MKR board or the included Infineon Radar Baseboard MCU7. Infineon's Toolbox supports this platform with a demonstration software and a Radar GUI to display and analyze acquired data in time and frequency domain. It further enables to change various performance parameters of the [BGT60LTR11AIP](#) in order to evaluate this radar sensor.



BGT60TR13C – XENSIV™ 60 GHz radar sensor for advance sensing

Enablement of horizontal and vertical angular measurement

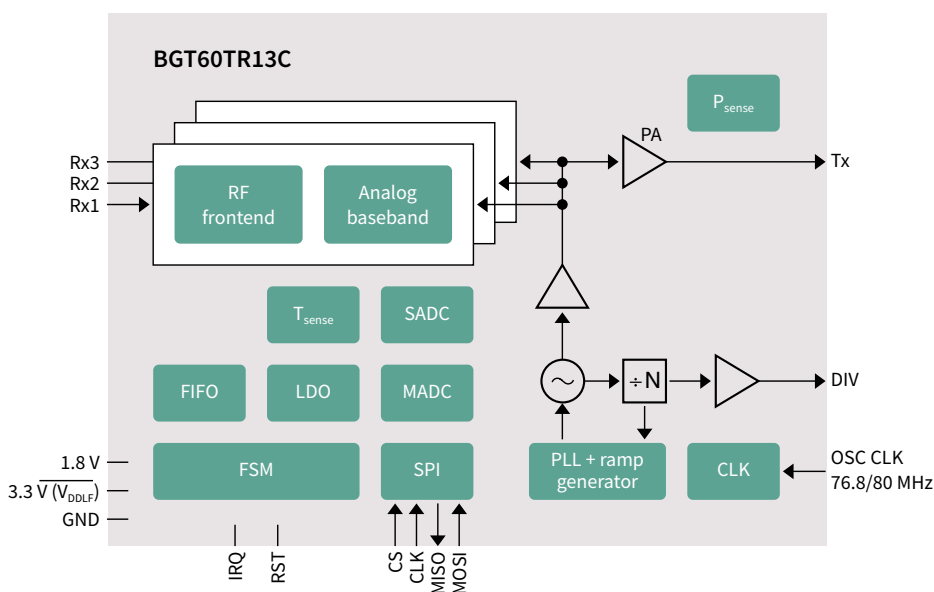
The BGT60TR13C MMIC is a 60 GHz radar sensor with integrated antennas and comes with one transmitting and three receiving antennas. Thanks to the Antennas in Package (AIP) concept, the antenna design complexity at the user end can be eliminated and the PCB designed with standard FR4 materials.

BGT60TR13C offers innovative and intuitive sensing capabilities

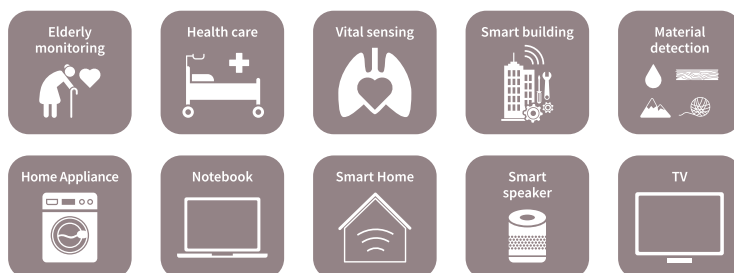
With its small form factor and low power consumption, BGT60TR13C MMIC brings innovative, intuitive sensing capabilities to many applications. Based on the developed algorithm the MMIC can serve established as well as new applications and use cases without intruding on privacy. Thanks to its feature-set, the MMIC can measure velocity, angle, horizontal as well as vertical.

BGT60TR13C has been demonstrated to be a powerful sensor for:

- › Presence detection/segmentation/tracking: BGT60TR13C enables human presence detection, tracking, and segmentation while providing extremely high accuracy in detecting micro and macro motions
- › Gesture Sensing: BGT60TR13C ensures detection of submillimeter motions
- › Vital sensing: BGT60TR13C is able to track vital signs in consumer electronics, healthcare as well as industrial applications



Target applications



Features and benefits

Key features	Key benefits
<ul style="list-style-type: none"> › Integrated Finite-State-Machine (FSM) 	<ul style="list-style-type: none"> › Allows semi-autonomous operation › Highly configurable modulation and power modes › MCU only needs to configure sensor and fetch data
<ul style="list-style-type: none"> › Very fast chirp speed: 400 MHz/μs 	<ul style="list-style-type: none"> › High velocity resolution
<ul style="list-style-type: none"> › High Signal-To-Noise Ratio (SNR) 	<ul style="list-style-type: none"> › People can be detected up to 15 m › High sensitivity allows submillimeter level motion detection
<ul style="list-style-type: none"> › Ultra-wide bandwidth >5 GHz 	<ul style="list-style-type: none"> › Allows simultaneous measurement of target range and velocity
<ul style="list-style-type: none"> › FMCW operation 	<ul style="list-style-type: none"> › High accuracy of range measurements › Reduced interference with other sensors
<ul style="list-style-type: none"> › Integrated L-shaped antennas + small package size (6.5 x 5.0 x 0.9 mm³) 	<ul style="list-style-type: none"> › L-shape enables horizontal and vertical angular measurements › Thanks to small package size, PCB area can be saved + design-in process simplified
<ul style="list-style-type: none"> › <5 mW (duty cycling according to released FCC waiver) 	<ul style="list-style-type: none"> › Reduces average power consumption › Optimized power modes for low power consumption

Product portfolio

Product	SP No.	OPN No.
DEMO BGT60TR13C	SP005728718	DEMOBGT60TR13CTOBO1
BGT60TR13C	SP002262606	BGT60TR13CE6327XUMA1

DEMO BGT60TR13C

Getting started with the XENSIV™ 60GHz demo board for advanced sensing

BGT60TR13C offers innovative and intuitive sensing capabilities

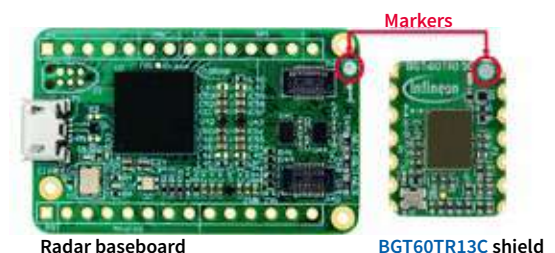
This demo board features Infineon's 60GHz XENSIV™ radar sensor **BGT60TR13C** and consists of a radar baseboard as well as a **BGT60TR13C** shield.

The radar baseboard is a 40.64 mm x 25.4 mm printed circuit board (PCB). Its main purpose is to provide a generic sensor interface for **BGT60TR13C** MMIC. The central microcontroller unit (MCU) can perform radar data processing or forward the sensor data to a USB interface or an Arduino MKR interface.

The **BGT60TR13C** shield presents a minimized form factor of 17 x 12.7 mm² and comes with an integrated **BGT60TR13C** Antenna-in-Package (AIP) radar chip of 6.5 x 5.0 x 0.85 mm³. Moreover, the shield contains a digital interface for configuration and transfer of the acquired radar data to a microcontroller board. The shield is optimized for fast prototyping designs and system integrations as well as initial product feature evaluations. In addition, it offers developers the flexibility to choose their own platform depending on their preferred use cases.

Several benefits come along with the **BGT60TR13C demoboard:**

- › Flexible platform selection
- › Variable connector options, and option to solder onto other PCBs
- › Highly flexible configuration on FMCW modulation
- › Power consumption can be optimized according to use case



Radar baseboard

BGT60TR13C shield

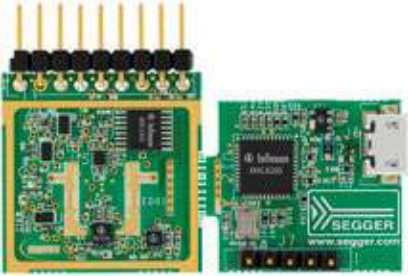
www.infineon.com/BGT60TR13C

For more details on the product, click on the part number, visit infineon.com or contact our [product support](#).



24 GHz evaluation and demonstration boards

In addition to the BGT24M/L family of MMIC chips, Infineon provides a continuously expanding range of evaluation and demonstration boards to support the testing and development of radar in multiple applications of our customers. All boards are provided with base-level software to support the ease of use and faster time-to-market integration.

Features	Infineon development kit	Benefits
<ul style="list-style-type: none"> › Four system boards available › All include 24 GHz radar chip and XMC™ microcontroller › Kit contains user manual, GUI, MATLAB compiler and Gerber files › Software available via Infineon Toolbox 		<ul style="list-style-type: none"> › Capability to detect motion, speed and direction of movement (approaching or retreating) distance and angle of arrival based on hardware › Fast prototyping with available software


Demonstrator with SW support

Sense2GoL Pulse (BGT24LTR11 + XMC4700)	Distance2Go (BGT24MTR11 + XMC4200)	Distance2GoL (BGT24LTR11 + XMC4700)	Position2Go (BGT24MTR12 + XMC4700)
<ul style="list-style-type: none"> › Capability to detect motion, speed, and direction of movement (approaching or retreating) › Detection range of 18 m for a human target at a power consumption < 5 mW › High sensitivity of detection in comparison to PIR › Arduino compatible microcontroller board (Arduino standard connectors) › Modulation parameters can be changed to suit the application requirements › Multiple current sensors for current consumption monitoring and optimization › Integrated multiple-element patch antennas 	<ul style="list-style-type: none"> › Capability to detect the distance of multiple targets › Capability to detect motion, speed, and direction of movement (approaching or retreating) › Operates in harsh environments and detects through non-metallic materials › BGT24MTR11 – 24 GHz highly integrated RF MMIC › XMC4200 Arm® Cortex®-M4 –32-bit industrial microcontroller › Debug over Cortex 10 pin debug connector › Integrated multiple-element patch antennas 	<ul style="list-style-type: none"> › Capability to detect the distance of the closest human target › Capability to detect motion, speed, and direction of movement (approaching or retreating) › Very low power consumption due to duty cycling options › Operates in harsh environments and detects through non-metallic materials › BGT24LTR11 – 24 GHz highly integrated RF MMIC › XMC4700 Arm® Cortex®-M4 –32-bit industrial microcontroller › Debug over Cortex 10 pin debug connector › Microstrip patch antennas with 10 dBi gain and 29°/80° field of view 	<ul style="list-style-type: none"> › Capability to detect and track the position of multiple targets › Capability to detect the distance of multiple targets › Capability to detect motion, speed, and direction of movement (approaching or retreating) › Operates in harsh environments and detects through non-metallic materials › BGT24MTR12 – 24 GHz highly integrated RF MMIC › XMC4700 Arm® Cortex®-M4 –32-bit industrial microcontroller › Debug over Cortex 10 pin debug connector › Integrated multiple-element patch antennas
<p>Main applications</p> <ul style="list-style-type: none"> › Security › Indoor and outdoor lighting › Smart home › Automatic door opener › Intelligent switches › Speed measurement 	<p>Main applications</p> <ul style="list-style-type: none"> › Drone: soft landing/obstacle avoidance › Smart toilets › Tank level sensing › Intelligent switches 	<p>Main applications</p> <ul style="list-style-type: none"> › Smart Home devices › Indoor and outdoor lighting systems › Unmanned aerial vehicles (UAV) › Security systems from commercial surveillance to low-power IP cameras › HVAC products like smart air conditioners › Smart sanitary facilities (eg Smart Toilets) 	<p>Main applications</p> <ul style="list-style-type: none"> › Drone/robots: obstacle avoidance › Security systems incl. surveillance cameras › People tracking (IoT, smart home) › Vital sensing
<p>Board dimensions</p> <ul style="list-style-type: none"> › Board 55 mm x 85 mm › Shield: 55 mm x 66 mm 	<p>Board dimensions</p> <ul style="list-style-type: none"> › Board 36 mm x 45 mm 	<p>Board dimensions</p> <ul style="list-style-type: none"> › Board 55 mm x 85 mm › Shield: 55 mm x 66 mm 	<p>Board dimensions</p> <ul style="list-style-type: none"> › Board 50 mm x 45 mm
<p>Kit contents</p> <ul style="list-style-type: none"> › RF radar shield: SHIELD_BGT24LTR11 › Programmed controller board: RADAR BB XMC4700 › Micro USB cable › SW GUI to operate kit › Doppler FW and SW¹⁾ › Schematic and bill-of-materials of module 	<p>Kit contents</p> <ul style="list-style-type: none"> › User's manual › Demonstration board › SW GUI to operate kit › FMCW FW and SW¹⁾ › Doppler FW and SW¹⁾ › Schematic and bill-of-materials of module 	<p>Kit contents</p> <ul style="list-style-type: none"> › RF radar shield: SHIELD_BGT24LTR11 › Programmed controller board: RADAR BB XMC4700 › Micro USB cable › SW GUI to operate kit › Doppler FW and SW¹⁾ 	<p>Kit contents</p> <ul style="list-style-type: none"> › User's manual › Demonstration board › Corner reflector › SW GUI to operate kit › FMCW FW and SW › Doppler FW and SW › Schematic and bill-of-materials of module



24 GHz modules

Partnering with the leading radar solution providers enables Infineon to connect our customers looking for turnkey solutions and design support for a complete range of applications. Utilizing our strong network of partners, the radar portfolio is extended to include a range of easy-to-integrate modules. Each of them contains Infineon's 24 GHz MMIC.

Features	Partner modules using Infineon chips	Benefits
<ul style="list-style-type: none"> Complete module, including radar MMIC, antenna options, MCU signal processing options, and SW options (Doppler, FSK and FMCW versions available) 	 <p>Module (RF module; RF module + MCU including SW)</p>	<ul style="list-style-type: none"> Ease of design Turnkey solution, no need for test and certification

By integrating Infineon's 24GHz MMIC chip into the partners easy-to-use and simple-to-integrate modules the complexity and time to market for a range of applications such as smart home automation, camera & security systems, air conditioners, UAVs, robotics, and smart lighting, are reduced.

Learn radar with Infineon on www.infineon.com/MakeRadar

For the first time, we bring radar to makers and developers. Here you can test, develop, and learn radar and its applications. At www.infineon.com/makeradar, you will see how simple it has become to work with ultrasmall radar sensors. The board and data will flow to your browser for testing, and this is not all, if you want to take the next step just take the available Arduino code examples and start your project.



Shield2Go

Infiniteon's Shield2Go boards offer a unique customer and evaluation experience – the boards are equipped with one Infineon IC and come with a ready-to-use Arduino library. Customers can now develop their own system solutions by combining 2GO boards together with Infineon MyIoT adapters. MyIoT adapters are gateways to external hardware solutions like Arduino and Raspberry PI, which are popular IoT hardware platforms. All this enables the fastest evaluation and development of the IoT system.

Security



OPTIGA™ Trust E Security Shield2Go

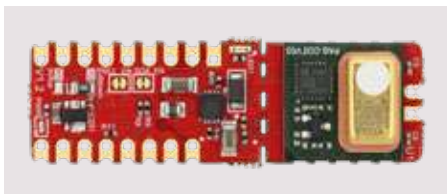
Product name: S2GO_Security_OPTIGA_E
SP: SP001820138



OPTIGA™ Trust X Security Shield2Go

Product name: S2GO SECURITY OPTIGA X
SP: SP002349576

Sensors



PASCO2V01 Shield2Go

Product name: SHIELD_PASCO2_SENSOR
SP: SP005569590



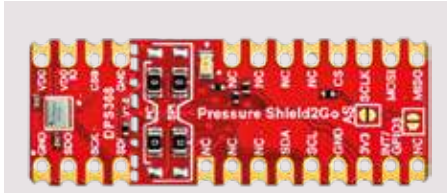
IM69D130 Microphone Shield2Go

Product name: S2GO MEMSMIC IM69D
SP: SP002851544



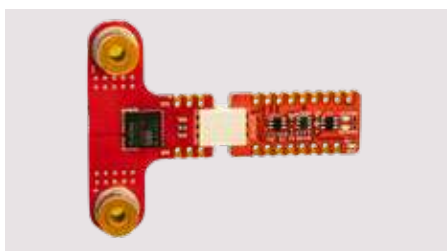
S2GO Pressure Sensor DPS310

Product name: S2GO_PRESSURE_DPS310
SP: SP001777630



S2GO Pressure Sensor DPS368

Product name: S2GO PRESSURE DPS368
Featured product: XENSIV™ pressure sensor DPS368
SP: SP005338022



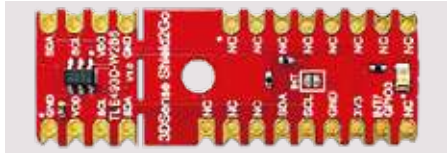
TLI4971 Current Sense Shield2Go

Product name: S2GO_CUR-SENSE_TLI4971
SP: SP005345472

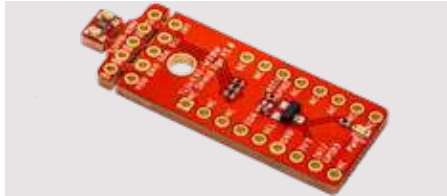


Shield2Go

Sensors



TLE493DW2B6 3DSense Shield2Go
Product name: [S2GO_3D_TLE493DW2B6-A0](#)
SP: SP004308594



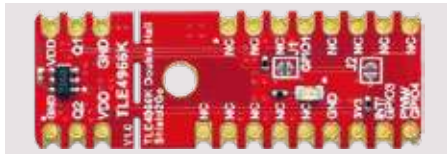
TLI493D 3DSense Shield2Go in small WLB-5 package (1.13 mm x 0.93 mm x 0.59 mm)
Product name: [S2GO_3D_TLI493DW2BW-A0](#)
SP: SP005410385



TLV493D 3DSense Shield2Go
Product name: [S2GO_3D-SENSE_TLV493D](#)
SP: SP001823678

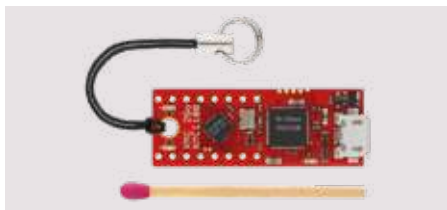


TLE4964-3M Hall Sense Shield2Go
Product name: [S2GO_HALL_TLE4964-3M](#)
SP: SP004308590



TLE4966K Double Hall Shield2Go
Product name: [S2GO_2_HALL_TLE4966K](#)
SP: SP004308598

Microcontroller



XMC 2Go Kit
Product name: [KIT_XMC_2GO_XMC1100_V1](#)
SP: SP001199544

MyIoT – Adapter



MyIoT Adapter
Sales name: MYIOTADAPTERTOBO1
SP: SP002434972

Infineon's 2Go boards offer a unique customer and evaluation experience – the boards are equipped with one Infineon IC and come with a ready-to-use Arduino library. Customers can now develop their own system solutions by combining 2Go boards together with Infineon MyIoT adapters.

MyIoT adapters are gateways to external hardware solutions like Arduino and Raspberry PI, which are popular IoT hardware platforms. All this enables the fastest evaluation and development of IoT system.



Sensor 2GO kits

Infinion's XENSIV™ **Sensor 2GO** kits are budget-priced evaluation boards that are already equipped with a sensor combined with an Arm® Cortex®-M0 CPU. The **Sensor 2GO** kits provide a complete set of on-board devices, including an on-board debugger. Build your own application and gadget with the **Sensor 2GO** kits. Our 2GO kits are ready-to-use plug-and-play boards.



Automotive Pressure **Sensor 2GO** kit

Product name: [KP215F1701-PS2GO-KIT/KP229E3518-PS2GO-KIT/KP236-PS2GO-KIT/KP254-PS2GO-KIT/KP275-PS2GO-KIT](#)
SP: SP002676652/SP002676656/ SP002676664/SP002676664/SP002676648

Features

- > We offer three different derivatives
 - [KP215F1701](#) MAP: Analog Manifold Air Pressure **Sensor**
 - [KP229E3518](#) TurboMAP: Analog Turbo Manifold Air Pressure **Sensor**
 - [KP236](#) BAP: Analog Barometric Air Pressure
 - [KP254](#) dBAP: Digital Barometric Air Pressure (SPI)
 - [KP275](#) dMAP: Digital Manifold Air Pressure **Sensor** (SENT)
- > Pressure and external temperature measurement - ONLY KP275dMAP
- > CSV file can be generated for each derivative
- > External NTC included [KP275-PS2GO-KIT](#)
- > Configuration of different transfer functions possible, [KP215F1701-PS2GO-KIT](#) and [KP229E3518-PS2GO-KIT](#)
- > A pressure connector consisting of a fast connector for 6mm tubes, pressure couple, and sealing is included
- > GUI software for free download
- > Power over USB (micro USB), ESD and reverse current protection
- > GUI for free download

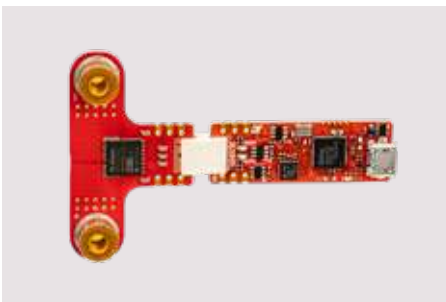


3D Magnetic **Sensor 2GO** kit

Product name: [TLE493D-A2B6 MS2GO/TLE493D-W2B6 MS2GO/TLV493D-A1B6 MS2GO](#)
SP: SP001707582/SP001707578/SP001707574

Features

- > We offer three different derivatives
 - [TLE493D-A2B6](#) (three dimensional magnetic sensor)
 - [TLE493D-W2B6](#) (three dimensional magnetic sensor)
 - [TLV493D-A1B6](#) (three dimensional magnetic sensor)
- > [XMC1100](#) (Arm® Cortex™-M0 based)
- > On-board J-Link Lite Debugger (Realized with XMC4200 Microcontroller)
- > Power over USB (Micro USB), ESD and reverse current protection
- > GUI for free download



TLI4971 Current **Sensor 2GO** kit

Product name: [TLI4971_MS2GO](#)
SP: SP00534547

Features

- > XENSIV™ magnetic current sensor [TLI4971-A120T](#)
- > **Sensor** board for high current capability (≤20 A)
- > Complete evaluation set including control and debug
- > First measurements possible within minutes

Sensor 2GO kits



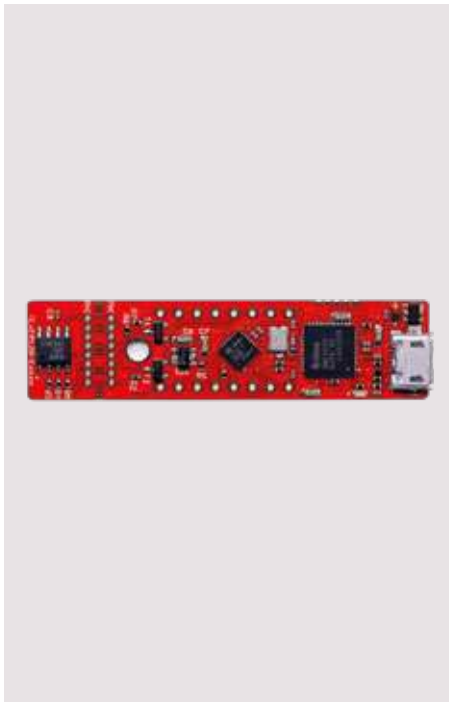
Speed Sensor 2GO kit

Product name: TLE4922 Speed-2-Go-Kit

SP: SP001624692

Features

- > Budget-priced evaluation board for speed sensing
- > Complete speed sensor incl. back-bias magnet, fixing and cable
- > TLE4922 (active mono cell Hall sensor)
- > **XMC1100** (Arm® Cortex™-M0 based)
- > On-board J-Link Lite Debugger (realized with XMC4200 microcontroller)
- > Power over USB (Micro USB), ESD and reverse current protection
- > GUI based tool for real in-application evaluation for free download



Angle Sensor 2GO kit

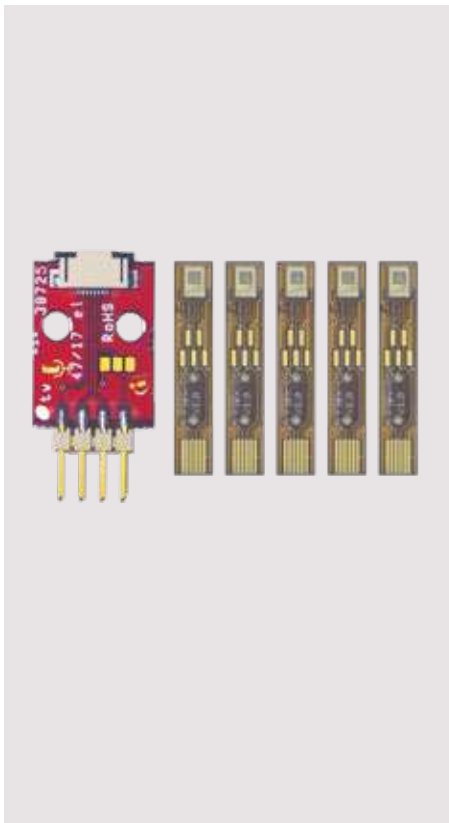
Product name: TLE5012B_E1000_MS2GO/TLI5012B_E1000_MS2GO/
TLE5012B_E5000_MS2GO/TLE5012B_E9000_MS2GO

SP: SP002133956/SP002133960/SP002133964/SP002133968

Features

- > Budget-priced evaluation board for angle and position sensing
- > We offer four derivatives:
 - **TLE5012B E1000** version: automotive predefined variant with SSC and IIF communication protocols
 - **TLE5012B E5000** version: automotive predefined variant with SSC and PWM communication protocols
 - **TLE5012B E9000** version: automotive predefined variant with SSC and SPC communication protocols
 - **TLI5012B E1000** version: industrial predefined variant with SSC and IIF communication protocols
- > TLE5012B/TLI5012B GMR digital angle sensor
- > **XMC1100** (Arm® Cortex™-M0 based)
- > On-board J-Link Lite Debugger (realized with XMC4200 microcontroller)
- > The kit is compatible with the angle rotate knob for fast evaluation
- > GUI based tool for real in-application evaluation for free download





Microphone flex evaluation kits

Product name:	SP:
EVAL_IM69D130_FLEXKIT	SP002153022
EVAL_IM69D120_FLEXKIT	SP002153026
EVAL_IM69D127_FLEXKIT	SP005403891
EVAL_IM73D135_FLEXKIT	SP005415695
EVAL_IM72D128_FLEXKIT	SP005429924
EVAL_IM70A135_FLEXKIT	SP005728204
EVAL_IM67D120_FLEXKIT	SP005560671
EVAL_IM67D130_FLEXKIT	SP005537489

The flex evaluation kits allow simple and easy evaluation of XENSIV™ MEMS microphones. One microphone of the respective type is mounted on each flex board. A flex board can be easily connected to an audio testing setup with the included adapter board via a 6-position ZIF connector. Each kit includes five flex boards and one adapter board. All digital flex kits can be connected to Infineon's [EVAL_AHNB_IM69D130V01](#) evaluation board.

Features

- > Quick and easy connection to evaluation system
- > Small size: 25 mm x 4.5 mm
- > Pre-soldered MEMS microphone
- > Configurable select pin configuration for digital microphones



XENSIV™ - TLE4966 Hall switches 2GO kit

Product name:	SP:
TLE4966 MS2GO	SP005406992

The board features our 3D magnetic sensor, [TLI493D-W2BW](#) used as reference magnetic probe for correlating magnetic switching points with magnetic field strength. Mechanically, the board is compatible with the Out-of-Shaft mechanical Add on, which must be ordered separately.

Features

- > [TLE4966V-1G](#), double vertical Hall latch with direction detection
- > [TLE4966G](#), double lateral Hall latch with direction detection
- > [XMC1100](#) (Arm® Cortex™-M0 based)
- > On-board J-Link Lite Debugger (Realized with XMC4200 Microcontroller)
- > Power over USB (Micro USB), ESD and reverse current protection
- > GUI for free download



Add ons for Sensor 2GO kits and Shield2Go



Joystick for all 3D Magnetic **Sensor 2GO** kits and Shield2Go

Product name: JOYSTICK FOR 3D 2 GO KIT

SP: SP001491834

Features

- > Easy mounting on all 3D magnetic sensor 2GO kits and Shield2Go
- > First magnetic joystick measurements within minute



Rotate knob for all 3D Magnetic **Sensor 2GO** kits, angle sensor 2GO kits and 3D magnetic sensor Shield2Go

Product name: ROTATE KNOB 3D 2 GO KIT

SP: SP001504602

Features

- > Easy mounting on all 3D magnetic and angle sensor 2GO kits as well as 3D magnetic sensor Shield2Go
- > Rotate knob with magnet as used in control elements and push buttons
- > Use cases 3D magnetic sensors: rotational and vertical movements of control elements and push buttons
- > Use cases angle sensors: simulates rotational movements for angle measurements



Linear slider for all 3D Magnetic **Sensor 2GO** kits and Shield2Go

Product name: LINEAR-SLIDER 2GO

SP: SP002043034

Features

- > Easy mounting on all 3D magnetic sensor 2GO kits and Shield2Go
- > First magnetic linear evaluations within minutes
- > Use case: linear movements
- > Linear slider with magnet – flexible setup: adaptable air-gaps, two different magnetic strengths/materials and distance limiters



Out of shaft adapter for all 3D Magnetic **Sensor 2GO** kits and Shield2Go

Product name: OUT OF SHAFT FOR 3D 2 GO

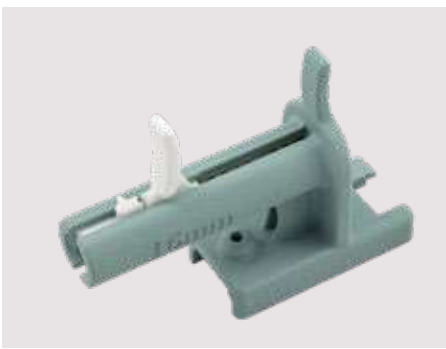
SP: SP003475178

Features

- > Easy mounting on all 3D magnetic sensor 2GO kits and Shield2Go
- > Use case: angle measurement in out of shaft configuration with 3D Hall sensor
- > Three different out of shaft configurations possible (x-z, y-z and x-y axis)
- > Magnetic rotation bar with ring magnet included



Add ons for Sensor 2GO kits and Shield2Go



Linear control trigger for all 3D Magnetic Sensor 2GO Kits and Shield2Go

Product name: [POWER_DRILL2GO](#)

Features

- > Easy mounting on all 3D magnetic sensor 2GO Kits and Shield2Go
- > Use case: control trigger for e.g. power drill (linear position measurements with 3D Hall sensor)
- > Magnetic slider with magnet included



Human Machine Interface (HMI) direction indicator for all 3D Magnetic Sensor 2GO Kits and Shield2Go

Product name: [DIR_INDICATOR2GO](#)

Features

- > Easy mounting on all 3D magnetic sensor 2GO Kits and Shield2Go
- > Use case: human-machine interface (3x3 position matrix) for e.g. automotive direction indicator
- > Magnetic direction indicator with magnet included in handle bar



HMI mini control with 4 directions and 360° rotation for all 3D Magnetic Sensor 2GO Kits and Shield2Go

Product name: [MINI_CONTROL2GO](#)

Features

- > Easy mounting on all 3D magnetic sensor 2GO Kits and Shield2Go
- > Use case: left/right/forward and backward including 360° rotation at all positions
- > Control element includes magnet



OpenClose Adapter for Hall switch Shield2Go

Product name: [OPENCLOSE2GOHSTOBO1](#)

Features

- > Open & Close detection with magnet for positions detection
- > Presence and non-presence detection



Play2Go for 3D magnetic sensor

Product name: PLAY2GO
Ordering code: SP005731811

The Infineon PLAY2GO is a very small joystick that can be actuated with your thumb. In terms of size it is a direct replacement to those potentiometer joysticks often used in gaming controllers and similar devices. The joystick itself comes with a pre-mounted magnet and is especially made to be combined with the [TLI493D-W2BW](#) 3D magnetic sensor Shield2Go in order to evaluate three dimensional movements of consumer or also industrial joysticks.

Features

- > Easy mounting on [TLI493D-W2BW](#) Shield2Go
- > First magnetic joystick measurements within minutes
- > GUI for free download



Contactless switch array for all 3D magnetic sensor 2GO kits and Shield2Go

Product name: Contactless switch array
Ordering code: SP005731811

Features

- > Contactless magnetic based „4-bit DIP Switch“ for configuration using a magnetic 3D sensor for detection
- > Four movable tiny magnets are used to configure a four bit value

Complementary magnets

- > TRU COMPONENTS 505944 Permanent Magnet Würfel





Infineon support for sensors

Useful links and helpful information

Further information, datasheets and documents

www.infineon.com/sensors

www.infineon.com/microphones

www.infineon.com/magnetic-sensors

www.infineon.com/current-sensor

www.infineon.com/hall-switches

www.infineon.com/angle-sensors

www.infineon.com/3dmagnetic

www.infineon.com/pressuresensor

www.infineon.com/24GHz

www.infineon.com/pressure

www.infineon.com/CO2

2GO evaluation kits

www.infineon.com/sensors2go

Online simulation tools

www.infineon.com/cms/en/product/sensor/#!simulation





Packages

- › Surface mount device (SMD) technology
- › Through-hole device (THD) technology

Dear users!

Our customers are at the heart of everything we do. Please give us feedback on how we can improve to meet your expectations with this document the best.

[Feedback](#)






















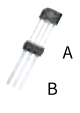




Packages

Surface mount device (SMD) technology

DPAK (TO-252-2) 2 9.9 x 6.5 x 2.3	DPAK (TO-252) 3 9.9 x 6.5 x 2.3	DPAK 5-pin (TO-252) 5 9.9 x 6.5 x 2.3	HDSOP-10-1 10 20.96 x 6.5 x 2.3	QDPAK TSC 22 20.96 x 15.0 x 2.3	D²PAK (TO-263) 3 15.0 x 10.0 x 4.4
D²PAK (TO-263-2) 2 15.0 x 10.0 x 4.4	TO263-7-11 7 15.0 x 10.0 x 4.4	TO263-7-12 7 15.0 x 10.0 x 4.4	TO263-7-13 7 15.0 x 10.0 x 4.4	D²PAK 7-pin (TO-263) 7 15.0 x 10.0 x 4.4	TO-Leadless (TOLL) 8 11.7 x 9.9 x 2.3
TOLT (top-side cooling) 16 15.0 x 9.9 x 2.3	TOLG (Gullwing leads) 8 11.7 x 9.9 x 2.3	sTOLL 5 8.0 x 7.0 x 2.3	SC59 3 3.0 x 2.8 x 1.1	SOT-23 3 2.9 x 2.4 x 1.0	SOT-23-5 5 2.9 x 1.6 x 1.3
SOT-23-6 6 2.9 x 1.6 x 1.3	SOT-89 3 4.5 x 4.0 x 1.5	SOT-223 4 6.5 x 7.0 x 1.6	SOT223-3-1 3 7.0 x 6.5 x 1.6	SOT-323 3 2.0 x 2.1 x 0.9	SOT-363 6 2.0 x 2.1 x 0.9
TSOP6 6 2.9 x 2.5 x 1.1	PQFN 2x2 6 2.0 x 2.0 x 0.9	PQFN 2x2 dual 6 2.0 x 2.0 x 0.9	PQFN 3.3x3.3 8 3.3 x 3.3 x 1.0	SuperSOT8 8 5.15x6.15 x 1.0	SuperSOT8 dual 8 5.15x6.15 x 1.0
SuperSOT8 fused leads 8 5.15x6.15 x 1.0	SuperSOT8 super cool 8 6.0 x 5.0 x 0.75	LSON-8-1 8 8.0 x 8.0 x 1.35 (max.)	TDSON-8-47 8 5.15x6.15 x 1.0	TDSON-10-2 10 3.0 x 3.0 x 0.9	TDSON-10-7 10 3.0 x 3.0 x 0.9
TDSON-8-25 fused leads 8 3.3 x 3.3 x 1.0	TISON-8 8 7.0 x 7.0 x 1.0	TISON-8-5/TISON-8-6 8 8.0 x 8.0 x 1.0	TISON-8 (power stage 5x6) 8 5.0 x 6.0 x 1.0	TISON-8-4 (Power Block) 8 5.0 x 6.0 x 1.0	TSON-8-1 8 3.0 x 3.0 x 1.0
TSON-8-3 8 5.0 x 6.0 x 1.0	ThinPAK 5x6 (TSON-8) 8 6.15 x 5.33 x 1.0	LLGA-5-4 5 4.0 x 3.0 x 1.2	TSON-10 10 3.3 x 3.3 x 1.0	TDSON-16-30 16 5.0 x 6.0 x 1.2	TSNP-6-13 6 1.5 x 1 x 0.375
ThinPAK 8x8 (VSON-4) 4 8.0 x 8.0 x 1.0	VDSO8-8 8 4.0 x 4.0 x 0.9	DSOF-8-16 8 7.0 x 7.0 x 2.8	DSOF-8-164 8 7.0 x 7.0 x 2.8	DFN-8-1 8 4.5 x 4.3 x 1.55	DSOSP-14-82 14 5.4 x 5.7 x 3.4
WSON-6-1 6 3 x 3 x 0.75	WSON-8-3 8 3 x 3 x 0.75	WSON-10 10 4.0 x 4.0 x 0.8	DirectFET™ Small Can V 4.8 x 3.8 x 0.65	DirectFET™ Medium Can V 6.3 x 4.9 x 0.65	DirectFET™ Large Can V 9.1 x 6.98 x 0.71

HSOF-8-1 (TOLL)		IQFN-27-2		IQFN-30 (DrMOS 4x4)		IQFN-31 (DrMOS 5x5)		IQFN-36		IQFN-39	
8	10.375 x 9.9 x 2.3	27	3.3 x 6.0 x 0.9	30	4.0 x 4.0 x 1.0	31	5.0 x 5.0 x 0.8	36	7.5 x 6.0 x 0.9	39	5.0 x 6.0 x 0.9
IQFN-40		TIQFN-21-1		TIQFN-28-1		SO8/SO8 dual		SO-16/12		SO-14	
40	6.0 x 6.0 x 0.8	21	8.0 x 8.0 x 1.15	28	8.0 x 8.0 x 1.15	8	5.0 x 6.0 x 1.75	12	10.0 x 6.0 x 1.75	14	8.75 x 6.0 x 1.75
SO-16		SO-18		DSO-12		DSO-16-30 (300 mil)		DSO-20-85		DSO-20-87	
16	10.0 x 6.0 x 1.75	18	12.8 x 10.3 x 2.65	12	10.3 x 7.8 x 2.6 (max)	16	10.3 x 7.5 x 2.35	20	15.9 x 11.0 x 3.25	20	15.9 x 11.0 x 3.25
DSO-24		SSOP-24		TDSO-16		SO-19		SO-20		DSO-28	
24	10.5 x 15.6 x 2.65 (max)	24	6 x 8.65 x 1.75 (max)	16	5.0 x 6.0 x 1.2	19	12.8 x 10.3 x 2.65	20	12.8 x 10.3 x 2.65	28	18.1 x 10.3 x 2.65
SO-36		TSSOP-28		TSSOP-48		LFBGA-516-5		LFBGA-292-6		BGA-416-26	
36	15.9 x 11.0 x 3.5	28	9.7 x 6.4 x 1.2	48	12.5 x 6.1 x 1.1	516	25.3 x 25.3 x 2.8	292	17.3 x 17.3 x 2.35	416	27.3 x 27.3 x 3.2
TFLGA-13-1		LQFP-176-22		LQFP-144-22		TQFP-144-27		TQFP-100-23		TQFP-80-7	
13	5 x 5 x 0.96	176	26.7 x 26.7 x 2.1	144	22.4 x 22.4 x 2.2	144	18.7 x 18.7 x 1.6	100	14.5 x 14.5 x 1.5	80	12.6 x 12.6 x 1.5
VQFN-40-13		VQFN-48-60		VQFN-48-78 (LTI)		VQFN-56-5/-6		Package (JEITA-code)			
40	5 x 5 x 0.85	48	6 x 6 x 0.85	48	7 x 7 x 0.85	56	7 x 7 x 0.9	X	L x W x H		
								 pin-count V = Variable number of pins All dimensions in mm			

Through-hole device (THD) technology

IPAK (TO251)		IPAK SL (TO251 SL)		IPAK short lead with ISO standoff		I²PAK (TO262)		TO-220 real 2-pin		TO-220 2-pin	
3	16.5x6.5 x 2.3	3	10.5x6.5 x 2.3	3	9.5x6.6 x 2.3	3	23.3 x 10 x 4.4	2	29.15 x 10.0 x 4.4	2	29.1 x 9.9 x 4.4
											
TO-220 3-pin		TO-220 FullPAK		TO-220 FullPAK Narrow Lead		TO-220 FullPAK Wide Creepage		TO-220-6-46		TO-220-6-47	
3	28.8 x 10 x 4.4	3	29.2 x 10.3 x 4.7	3	29.6 x 10.5 x 4.7	3	28.85 x 11 x 4.7	6	21.7 x 9.9 x 4.4	6	26.1 x 9.9 x 4.4
											
TO-247		TO-247-3-AI		TO-247 4-pin		DIP-7		DIP-8		DIP-14	
3	41 x 16 x 5	3	41.3 x 10.9 x 5.18	4	40.15 x 15.9 x 5.0	7	9.52 x 8.9 x 4.37	8	9.52 x 8.9 x 4.37	14	19.5 x 8.9 x 4.37
											
DIP-20		Super220		Super247		SSO-3-9		SSO-3-10		SSO-4-1	
20	24.6 x 9.9 x 4.2	3	28.25 x 10.5 x 4.5	3	34.6 x 15.6 x 5	3	A: 3.71 x 5.34 x 1 B: 2.68 x 5.34 x 1.2	3	4.06 x 1.5 x 4.05	4	5.34 x 1.0 x 3.71
											
TO92S-3-1		TO92S-3-2		Package (JEITA-code)							
3	4.0 x 1.52 x 3.15	3	4.0 x 1.52 x 3.15	X	L x W x H						
				 pin-count V = Variable number of pins							
				All dimensions in mm							



Infineon support for packages

Useful links and helpful information

Further information, datasheets and documents

www.infineon.com/packages



Infineon powerful support

Useful links and helpful information

General support

www.infineon.com/support
www.infineon.com/wheretobuy
www.infineon.com/quality
www.infineon.com/packages
www.infineon.com/green
www.infineon.com/opn

Request reliability (FIT) data

http://infineon-community.com/FIT_1

Tools, desks and more

www.infineon.com/solutionfinder
www.infineon.com/lightdesk
www.infineon.com/evaluationboards
www.infineon.com/webinars

Register for the Newsletter4Engineers

<http://infineon-community.com/Newsletter4Engineers>



Infineon Customized Solutions

Your specific needs, realized.

A customized solution (commonly known in the industry as an **ASIC** – Application Specific IC or **CSP** – Customer Specific Product) is one that is designed, planned, developed and used for a specific purpose, with the mission of being optimized, efficient, and having all the required functionalities and features to be used in a specific application for a single customer.

Working with Infineon from design through to delivery

Infineon as a market leader in customized solutions, believe innovation comes through collaboration and exploring new paths. Working closely with our customer's, understanding their needs, and combining with our cutting edge solutions, we know there is always a benefit for every customer and application. Whether the challenge is related to IP, BOM constraints, or simply required higher integration, an **ASIC** can be the solution.



More than just a product

A customized solution enabled by Infineon's extensive knowledge, experience and partner network, provides several more advantages, such as IP protection, trusted Infineon quality and supply guarantee.



A process streamlined through efficiency, expertise and experience

The journey begins together with a focus on feasibility where we match early on your needs with our 40 years expertise in building world-class industry leading semiconductors, ensuring we can successfully implement your requirements

Technology advantage through to supply stability

Whether it's digital, analog, mixed signal devices an embedded processor or integrated sensors. We have the experience and product know-how. Being one of the largest semiconductor companies, we also have a vast array of IPs. We can integrate almost anything into your chip from the vast variety of our sensors, discrete devices, drivers and much more, including support for higher voltage levels. Our in-house fabrication facilities and design centers around the globe are known for highest quality standards. We also have well established partnerships with all major silicon foundries and assembly test fabs to complement our in-house technologies. At every step along the way, we take pride in the highest quality Infineon is known for.



Interested to learn more?

Visit our web page: www.infineon.com/asic where you can find further information about our customized solutions, videos, and if interested, use the “contact us” feature to connect with us.

A world leader
in semiconductor solutions



Our vision

We are the link between the
real and the digital world.

Our values

We commit
We partner
We innovate
We perform

Our mission

We make life
easier, safer
and greener.

Part of your life. Part of tomorrow.

Solutions and Applications
20-300 V MOSFETs
500-950 V MOSFETs
Gate-driver ICs
Digital isolators
IGBT discretes and silicon power diodes
Intelligent power switches and modules
Microcontrollers
Power management ICs
WBG semiconductors
Sensors
Packages

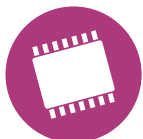


The Infineon Partner Program

Together we win

Find solutions from our partners to accelerate your business of tomorrow. Infineon's global network of partners are experts in designing products, solutions or services leveraging Infineon components in 5 key areas: software, hardware, services, tools & end-applications.

The Infineon partner program is a global ecosystem of qualified companies, offering knowledge and experience to enable and implement Infineon products. Partners from the Infineon partner ecosystem help design your device and application based on our components. They have been selected by us on the basis of their competence and ability to design and deliver strong and trustworthy solutions, especially for new technologies and use cases. Their knowledge and experience spans areas as diverse as hardware, software, tools, services and target applications.



Hardware

Partners manufacturing electronic components, demo boards and turnkey modules

... jointly we create and commercialize value added solutions, while reaching new buyers



Software

Partners programming various types of software, algorithms and operating systems

... jointly we enhance our portfolio with complementary components and expand technology know how



Tools

Partners designing computer programs for the development of embedded systems

... jointly we enable a complete and immersive development experience for customers



Services

Partners providing cloud and engineering services, application support or trainings

... jointly we build up engineering capabilities and offer it to a world class customer network



End application

Partners creating end products and related applications

... jointly we provide customers with state of the art solutions and innovative use cases

Find out more information about the partner program and the latest news around our partners at Infineon [Partner Ecosystem Website](#).

Looking for specific partner solution in your region? Our partner finder provides an overview of our partners and their offerings. Simply specify your search in the dropdown menu and browse through the texts, company logo, and partner signet to navigate directly to the respective website for further information.

Further information about Infineon partner solutions, you can also find under the "partner tab" on the product and application pages .

www.infineon.com/partners

Where to buy

Infineon distribution partners and sales offices:

www.infineon.com/wheretobuy

Service hotline

Infineon offers its toll-free 0800/4001 service hotline as one central number, available 24/7 in English, Mandarin and German.

- › Germany 0800 951 951 951 (German/English)
- › China, mainland 4001 200 951 (Mandarin/English)
- › India 000 800 4402 951 (English)
- › USA 1-866 951 9519 (English/German)
- › Other countries 00* 800 951 951 951 (English/German)
- › Direct access +49 89 234-0 (interconnection fee, German/English)

* Please note: Some countries may require you to dial a code other than “00” to access this international number.

Please visit www.infineon.com/service for your country!

Dear users!

Our customers are at the heart of everything we do. Please give us feedback on how we can improve to meet your expectations with this document the best.



www.infineon.com

Published by
Infineon Technologies Austria AG
9500 Villach, Austria

© 2022 Infineon Technologies AG.
All Rights Reserved.

Please note!

This Document is for information purposes only and any information given herein shall in no event be regarded as a warranty, guarantee or description of any functionality, conditions and/or quality of our products or any suitability for a particular purpose. With regard to the technical specifications of our products, we kindly ask you to refer to the relevant product data sheets provided by us. Our customers and their technical departments are required to evaluate the suitability of our products for the intended application.

We reserve the right to change this document and/or the information given herein at any time.

Additional information

For further information on technologies, our products, the application of our products, delivery terms and conditions and/or prices, please contact your nearest Infineon Technologies office (www.infineon.com).

Warnings

Due to technical requirements, our products may contain dangerous substances. For information on the types in question, please contact your nearest Infineon Technologies office.

Except as otherwise explicitly approved by us in a written document signed by authorized representatives of Infineon Technologies, our products may not be used in any life-endangering applications, including but not limited to medical, nuclear, military, life-critical or any other applications where a failure of the product or any consequences of the use thereof can result in personal injury.